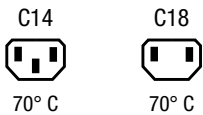


IEC Appliance Inlet C14 or C18 with Line Switch 1- or 2-pole and Fuseholder 1-pole



Description

- Panel Mount:
Snap-in or screw mounting, from front side Appliance Inlet, protection class I or II, Fuseholder for fuse-links 5 x 20 mm, Line Switch
- Snap-in version with 1- or 2-pole line switch available
- Screw-on version only with 2-pole line switch
- Solder terminals or quick connect terminals

Approvals

- UL File Number: E93617
- CSA File Number: 27324

Characteristics

- Line switch non-illuminated or illuminated

Weblinks

[pdf-datasheet](#), [html-datasheet](#), [General Product Information](#), [Approvals](#), [CE declaration of conformity](#), [RoHS](#), [CHINA-RoHS](#), [REACH](#), [Mating Connectors](#), [e-Shop](#), [SCHURTER-Stock-Check](#), [Distributor-Stock-Check](#), [CAD-Drawings](#), [Accessories](#), [Wire Harnessing](#), [Detailed request for product](#)

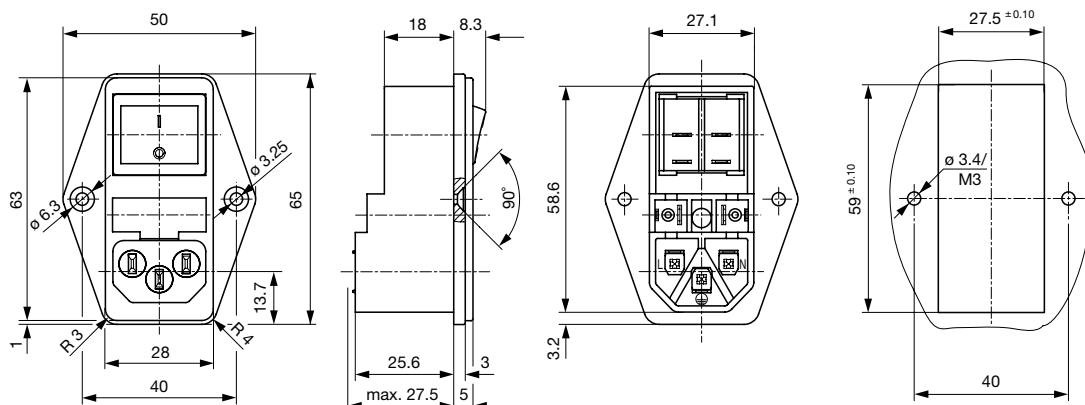
Technical Data

Ratings IEC	10A / 250VAC; 50Hz
Ratings UL/CSA	10A / 250VAC; 60Hz
Dielectric Strength	> 3 kVAC between L-N > 1.5 kVAC between L/N-PE (1 min/50Hz)
Allowable Operation Temp.	-25°C to 70°C
Degree of Protection	from front side IP 40 acc. to IEC 60529
Protection Class	Suitable for appliances with protection class I or II acc. to IEC 61140
Terminal	Solder terminals or quick connect terminals
Panel Thickness s	Screw Mounting screw torque max 0.5Nm Snap-in 1.0 - 1.5/2.0 - 2.5 mm
Material: Housing	PA6, black, UL 94V-0

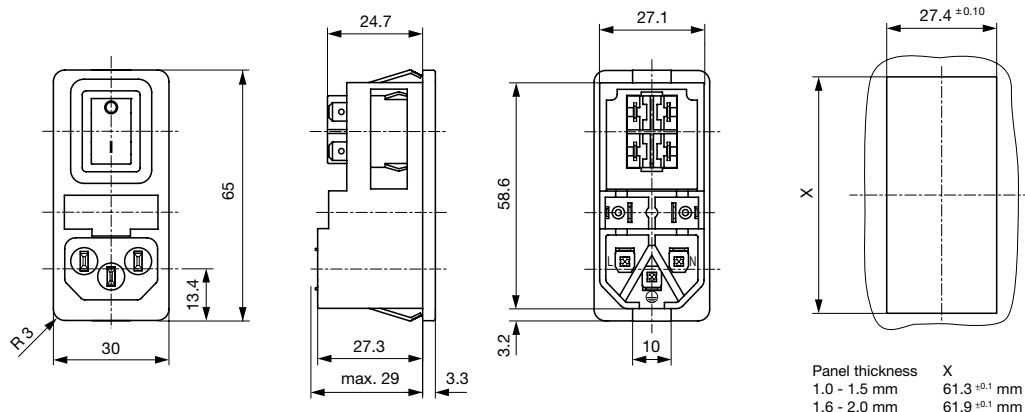
Appliance Inlet	C14 / C18 acc. to IEC 60320 UL 498, CSA C22.2 no. 42 (for cold conditions) pin-temperature 70 °C, 10A, Protection Class I or II
Fuseholder	1-pole, acc. to IEC 60127-6, for fuse-links 5 x 20 mm
Power Acceptance @ Ta > 23°C	Admissible power acceptance at higher ambient temperature see derating curves
Line Switch	Rocker switch 1 or 2 pole, non-illuminated or illuminated black, acc. to IEC 61058-1 Technical Details

Dimensions

Screw-on mounting



Snap-in mounting



Config. Code


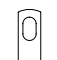


6762 - H - ABCN - D - EGOP

The characters are placeholders for the correspondingly keys of selections from the key tables.

6762 - **H** - ABCN - D - EGOP = Type

Type	Configuration key
protection class II	B
protection class I	X

6762 - H - **A** BCN - D - EGOP = Terminals

Terminal L	Configuration key
solder terminal 	1
long solder terminal (L = 8.5 mm) 	3
Blade terminal (4.8 x 0.8 mm) 	8
Blade terminal (6.3 x 0.8 mm) 	9

6762 - H - A **B** CN - D - EGOP = Terminals

Terminal N	Configuration key
solder terminal	1
long solder terminal (L = 8.5 mm)	3
Blade terminal (4.8 x 0.8 mm)	8
Blade terminal (6.3 x 0.8 mm)	9

Symbols similar as in table A

6762 - H - AB **C** N - D - EGOP = Terminals

Terminal Ground	Configuration key
without terminal	0
solder terminal	1
long solder terminal (L = 8.5 mm)	3
Blade terminal (4.8 x 0.8 mm)	8
Blade terminal (6.3 x 0.8 mm)	9

Symbols similar as in table A

6762 - H - ABC **N** - D - EGOP = Terminal Fuseholder

Terminal Fuseholder	Configuration key
solder terminal	1
Blade terminal (4.8 x 0.8 mm)	8

6762 - H - ABCN - **D** - EGOP = Color

Color	Configuration key
Black	A

6762 - H - ABCN - D - **E** GOP = Style

Style	Configuration key
flange with countersunk holes	1
flange with through holes	2
snap-in standard type	3
insert type	5

6762 - H - ABCN - D - E **G** OP = Mass S

Mass "s"

00

The dimension "S" is displayed in ($1/_{10}$ mm). This information is also valid for the order code

Configuration key

6762 - H - A B C N - D - E G O P = Switches

6762 - H - A B C N - D - E G O P = Features

Features

Features	Configuration key
dead cover	1
holder for 1 fuse (text legible, when inlet on top)	2
holder for 1 fuse (text legible, when inlet on bottom)	3

Switches

Switches	Configuration key
dead cover	1
unipolar switch, 4,8mm blade terminal, black rocker	2
unipolar switch, solder terminal, black rocker	3
bipolar switch, 4,8mm blade terminal, black rocker	4
bipolar switch, solder terminals, black rocker	5
bipolar switch, 4,8mm blade terminal, rocker red illuminated	6
bipolar switch, solder terminal, rocker red illuminated	7
bipolar switch, 4,8mm blade terminals, rocker green illuminated	8
bipolar switch, solder terminals, rocker green illuminated	9

All Variants

Config. Code	Description	Order Number
6762-B-8808-A-10024	6762, IEC Power Entry Module C18, 70°C, version: protection class II, L: Blade terminal (4.8 x 0.8 mm), N: Blade terminal (4.8 x 0.8 mm), ground: without terminal, fuseholder: Blade terminal (4.8 x 0.8 mm), color: Black, design: flange with countersunk holes, dimension S: 00, features: holder for 1 fuse (text legible, when inlet on top), bipolar switch, 4,8mm blade terminal, black rocker	4304.6049
6762-B-8808-A-30022	6762, IEC Power Entry Module C18, 70°C, version: protection class II, L: Blade terminal (4.8 x 0.8 mm), N: Blade terminal (4.8 x 0.8 mm), ground: without terminal, fuseholder: Blade terminal (4.8 x 0.8 mm), color: Black, design: snap-in standard type, dimension S: 00, features: holder for 1 fuse (text legible, when inlet on top), unipolar switch, 4,8mm blade terminal, black rocker	4304.6050
6762-B-8808-A-30024	6762, IEC Power Entry Module C18, 70°C, version: protection class II, L: Blade terminal (4.8 x 0.8 mm), N: Blade terminal (4.8 x 0.8 mm), ground: without terminal, fuseholder: Blade terminal (4.8 x 0.8 mm), color: Black, design: snap-in standard type, dimension S: 00, features: holder for 1 fuse (text legible, when inlet on top), bipolar switch, 4,8mm blade terminal, black rocker	4304.6051
6762-X-1111-A-10021	6762, IEC Power Entry Module C14, 70°C, version: protection class I, L: solder terminal, N: solder terminal, ground: solder terminal, fuseholder: solder terminal, color: Black, design: flange with countersunk holes, dimension S: 00, features: holder for 1 fuse (text legible, when inlet on top), dead cover	4304.6052
6762-X-1111-A-10024	6762, IEC Power Entry Module C14, 70°C, version: protection class I, L: solder terminal, N: solder terminal, ground: solder terminal, fuseholder: solder terminal, color: Black, design: flange with countersunk holes, dimension S: 00, features: holder for 1 fuse (text legible, when inlet on top), bipolar switch, 4,8mm blade terminal, black rocker	4304.6053
6762-X-1111-A-10025	6762, IEC Power Entry Module C14, 70°C, version: protection class I, L: solder terminal, N: solder terminal, ground: solder terminal, fuseholder: solder terminal, color: Black, design: flange with countersunk holes, dimension S: 00, features: holder for 1 fuse (text legible, when inlet on top), bipolar switch, solder terminals, black rocker	4304.6054
6762-X-1111-A-10034	6762, IEC Power Entry Module C14, 70°C, version: protection class I, L: solder terminal, N: solder terminal, ground: solder terminal, fuseholder: solder terminal, color: Black, design: flange with countersunk holes, dimension S: 00, features: holder for 1 fuse (text legible, when inlet on bottom), bipolar switch, 4,8mm blade terminal, black rocker	4304.6055
6762-X-3331-A-30025	6762, IEC Power Entry Module C14, 70°C, version: protection class I, L: long solder terminal (L = 8.5 mm), N: long solder terminal (L = 8.5 mm), ground: long solder terminal (L = 8.5 mm), fuseholder: solder terminal, color: Black, design: snap-in standard type, dimension S: 00, features: holder for 1 fuse (text legible, when inlet on top), bipolar switch, solder terminals, black rocker	4304.6056
6762-X-8888-A-10021	6762, IEC Power Entry Module C14, 70°C, version: protection class I, L: Blade terminal (4.8 x 0.8 mm), N: Blade terminal (4.8 x 0.8 mm), ground: Blade terminal (4.8 x 0.8 mm), fuseholder: Blade terminal (4.8 x 0.8 mm), color: Black, design: flange with countersunk holes, dimension S: 00, features: holder for 1 fuse (text legible, when inlet on top), dead cover	4304.6057
6762-X-8888-A-10024	6762, IEC Power Entry Module C14, 70°C, version: protection class I, L: Blade terminal (4.8 x 0.8 mm), N: Blade terminal (4.8 x 0.8 mm), ground: Blade terminal (4.8 x 0.8 mm), fuseholder: Blade terminal (4.8 x 0.8 mm), color: Black, design: flange with countersunk holes, dimension S: 00, features: holder for 1 fuse (text legible, when inlet on top), bipolar switch, 4,8mm blade terminal, black rocker	4304.6058
6762-X-8888-A-10026	6762, IEC Power Entry Module C14, 70°C, version: protection class I, L: Blade terminal (4.8 x 0.8 mm), N: Blade terminal (4.8 x 0.8 mm), ground: Blade terminal (4.8 x 0.8 mm), fuseholder: Blade terminal (4.8 x 0.8 mm), color: Black, design: flange with countersunk holes, dimension S: 00, features: holder for 1 fuse (text legible, when inlet on top), bipolar switch, 4,8mm blade terminal, rocker red illuminated	4304.6059
6762-X-8888-A-10028	6762, IEC Power Entry Module C14, 70°C, version: protection class I, L: Blade terminal (4.8 x 0.8 mm), N: Blade terminal (4.8 x 0.8 mm), ground: Blade terminal (4.8 x 0.8 mm), fuseholder: Blade terminal (4.8 x 0.8 mm), color: Black, design: flange with countersunk holes, dimension S: 00, features: holder for 1 fuse (text legible, when inlet on top), bipolar switch, 4,8mm blade terminals, rocker green illuminated	4304.6060
6762-X-8888-A-10034	6762, IEC Power Entry Module C14, 70°C, version: protection class I, L: Blade terminal (4.8 x 0.8 mm), N: Blade terminal (4.8 x 0.8 mm), ground: Blade terminal (4.8 x 0.8 mm), fuseholder: Blade terminal (4.8 x 0.8 mm), color: Black, design: flange with countersunk holes, dimension S: 00, features: holder for 1 fuse (text legible, when inlet on bottom), bipolar switch, 4,8mm blade terminal, black rocker	4304.6061
6762-X-8888-A-30021	6762, IEC Power Entry Module C14, 70°C, version: protection class I, L: Blade terminal (4.8 x 0.8 mm), N: Blade terminal (4.8 x 0.8 mm), ground: Blade terminal (4.8 x 0.8 mm), fuseholder: Blade terminal (4.8 x 0.8 mm), color: Black, design: snap-in standard type, dimension S: 00, features: holder for 1 fuse (text legible, when inlet on top), dead cover	4304.6062
6762-X-8888-A-30022	6762, IEC Power Entry Module C14, 70°C, version: protection class I, L: Blade terminal (4.8 x 0.8 mm), N: Blade terminal (4.8 x 0.8 mm), ground: Blade terminal (4.8 x 0.8 mm), fuseholder: Blade terminal (4.8 x 0.8 mm), color: Black, design: snap-in standard type, dimension S: 00, features: holder for 1 fuse (text legible, when inlet on top), unipolar switch, 4,8mm blade terminal, black rocker	4304.6063

Config. Code	Description	Order Number
6762-X-8888-A-30024	6762, IEC Power Entry Module C14, 70°C, version: protection class I, L: Blade terminal (4.8 x 0.8 mm), N: Blade terminal (4.8 x 0.8 mm), ground: Blade terminal (4.8 x 0.8 mm), fuseholder: Blade terminal (4.8 x 0.8 mm), color: Black, design: snap-in standard type, dimension S: 00, features: holder for 1 fuse (text legible, when inlet on top), bipolar switch, 4,8mm blade terminal, black rocker	4304.6064
6762-X-8888-A-30025	6762, IEC Power Entry Module C14, 70°C, version: protection class I, L: Blade terminal (4.8 x 0.8 mm), N: Blade terminal (4.8 x 0.8 mm), ground: Blade terminal (4.8 x 0.8 mm), fuseholder: Blade terminal (4.8 x 0.8 mm), color: Black, design: snap-in standard type, dimension S: 00, features: holder for 1 fuse (text legible, when inlet on top), bipolar switch, solder terminals, black rocker	4304.6065
6762-X-8888-A-30026	6762, IEC Power Entry Module C14, 70°C, version: protection class I, L: Blade terminal (4.8 x 0.8 mm), N: Blade terminal (4.8 x 0.8 mm), ground: Blade terminal (4.8 x 0.8 mm), fuseholder: Blade terminal (4.8 x 0.8 mm), color: Black, design: snap-in standard type, dimension S: 00, features: holder for 1 fuse (text legible, when inlet on top), bipolar switch, 4,8mm blade terminal, rocker red illuminated	4304.6066
6762-X-8888-A-30028	6762, IEC Power Entry Module C14, 70°C, version: protection class I, L: Blade terminal (4.8 x 0.8 mm), N: Blade terminal (4.8 x 0.8 mm), ground: Blade terminal (4.8 x 0.8 mm), fuseholder: Blade terminal (4.8 x 0.8 mm), color: Black, design: snap-in standard type, dimension S: 00, features: holder for 1 fuse (text legible, when inlet on top), bipolar switch, 4,8mm blade terminals, rocker green illuminated	4304.6067
6762-X-8888-A-30036	6762, IEC Power Entry Module C14, 70°C, version: protection class I, L: Blade terminal (4.8 x 0.8 mm), N: Blade terminal (4.8 x 0.8 mm), ground: Blade terminal (4.8 x 0.8 mm), fuseholder: Blade terminal (4.8 x 0.8 mm), color: Black, design: snap-in standard type, dimension S: 00, features: holder for 1 fuse (text legible, when inlet on bottom), bipolar switch, 4,8mm blade terminal, rocker red illuminated	4304.6068
6762-X-9991-A-30022	6762, IEC Power Entry Module C14, 70°C, version: protection class I, L: Blade terminal (6.3 x 0.8 mm), N: Blade terminal (6.3 x 0.8 mm), ground: Blade terminal (6.3 x 0.8 mm), fuseholder: solder terminal, color: Black, design: snap-in standard type, dimension S: 00, features: holder for 1 fuse (text legible, when inlet on top), unipolar switch, 4,8mm blade terminal, black rocker	4304.6069
6762-X-9998-A-10024	6762, IEC Power Entry Module C14, 70°C, version: protection class I, L: Blade terminal (6.3 x 0.8 mm), N: Blade terminal (6.3 x 0.8 mm), ground: Blade terminal (6.3 x 0.8 mm), fuseholder: Blade terminal (4.8 x 0.8 mm), color: Black, design: flange with countersunk holes, dimension S: 00, features: holder for 1 fuse (text legible, when inlet on top), bipolar switch, 4,8mm blade terminal, black rocker	4304.6070
6762-X-9998-A-10026	6762, IEC Power Entry Module C14, 70°C, version: protection class I, L: Blade terminal (6.3 x 0.8 mm), N: Blade terminal (6.3 x 0.8 mm), ground: Blade terminal (6.3 x 0.8 mm), fuseholder: Blade terminal (4.8 x 0.8 mm), color: Black, design: flange with countersunk holes, dimension S: 00, features: holder for 1 fuse (text legible, when inlet on top), bipolar switch, 4,8mm blade terminal, rocker red illuminated	4304.6071
6762-X-9998-A-30024	6762, IEC Power Entry Module C14, 70°C, version: protection class I, L: Blade terminal (6.3 x 0.8 mm), N: Blade terminal (6.3 x 0.8 mm), ground: Blade terminal (6.3 x 0.8 mm), fuseholder: Blade terminal (4.8 x 0.8 mm), color: Black, design: snap-in standard type, dimension S: 00, features: holder for 1 fuse (text legible, when inlet on top), bipolar switch, 4,8mm blade terminal, black rocker	4304.6072
6762-X-8881-A-30024	6762, IEC Power Entry Module C14, 70°C, version: protection class I, L: Blade terminal (4.8 x 0.8 mm), N: Blade terminal (4.8 x 0.8 mm), ground: Blade terminal (4.8 x 0.8 mm), fuseholder: solder terminal, color: Black, design: snap-in standard type, dimension S: 00, features: holder for 1 fuse (text legible, when inlet on top), bipolar switch, 4,8mm blade terminal, black rocker	4304.6120

The listed variants should be available from stock. Other versions on request www.schurter.com/contact

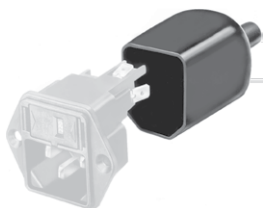
Most Popular.

Availability for all products can be searched real-time: <http://www.schurter.com/en/Stock-Check/Stock-Check-SCHURTER>

Packaging unit 50 Pcs

Accessories

Description



Assorted Covers
Rear Cover



Wire Harness
Wire harness for SCHURTER products

Mating Outlets/Connectors

Category / Description

[Connector Overview complete](#)



IEC Connector C15A, Rewireable, Straight	0102
IEC Connector C15A, Rewireable, Straight	0102-G
IEC Connector C15A, Rewireable, Angled	0112
IEC Connector C13, Rewireable, Angled	4012
IEC Connector C13, Rewireable, Straight	4022
Connector further types to 6762	...

[Interconnection Cord Overview complete](#)



Interconnection Cord C13, 10 A	6007.0212
Interconnection Cord C13, 10 A	6007.0214
Interconnection Cord further types to 6762	

[Power Cord Overview complete](#)



Power Supply Cord with IEC plug C14, stripped end	6007.0204
Power Cord further types to 6762	

[Power Supply Cord Overview complete](#)



Power Supply Cord with IEC Connector C13 straight, stripped end	6000.0214
Power Supply Cord with IEC Connector C13 angled, stripped end	6000.0224
EU Power Supply Cord with IEC Connector C13, straight	6003.0215
EU Power Supply Cord with IEC Connector C13, straight	6004.0215
US Power Supply Cord with IEC Connector C13, straight	6009.1315
Power Supply Cord further types to 6762	...

[Power Supply or Interconnection Cord Overview complete](#)

Diverse Power Supply and Interconnection Cords 10 A	6003.0204
Diverse Power Supply and Interconnection Cords 10 A	6003.0205
Diverse Power Supply and Interconnection Cords 10 A	6026.0205
UK Power Supply Cord with stripped ends	6044.0204
Diverse Power Supply and Interconnection Cords 10 A	6045.0114
Power Supply or Interconnection Cord further types to 6762	...