

Fuse Carriage with Handle for OGN, OGN-SMD

new



2.5W/10A



### Description

- Better access to fuse-links on PCB's

### Applications

- Printed circuit boards with tightly packed components. Colour coding allows for quick and safe replacement of fuses.

### References

Mating adapter to OGN; OGN-SMD

### Weblinks

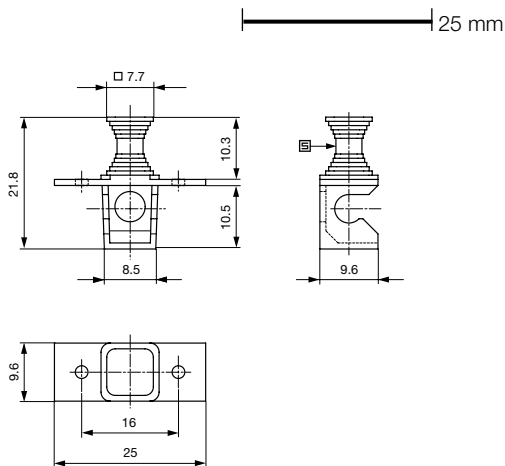
pdf-datasheet, html-datasheet, General Product Information, Approvals, CE declaration of conformity, RoHS, CHINA-RoHS, REACH, e-Shop, SCHURTER-Stock-Check, Distributor-Stock-Check, Detailed request for product

### Technical Data

Fuse-Link	5 x 20 mm
Rated Power Acceptance IEC	2.5 W / 10 A @ Ta 23 °C
Admissible Ambient Air Temp.	-40 °C to 85 °C
Material: Cover	Thermoplastic black / white UL 94V-0
Storage Conditions	0 °C to 60 °C, max. 70% r.h.

Contact Resistance	< mΩ at 20 mV
--------------------	---------------

### Dimension



### All Variants

Color	Order Number
black	0853.1201
white	0853.1202

Most Popular.

Availability for all products can be searched real-time: <http://www.schurter.com/en/Stock-Check/Stock-Check-SCHURTER>

### Packaging Unit

Bulk (100 pcs.)