

TITLE

TRANSFORMER, ADSL



1000 PARKERS LAKE ROAD
WAYZATA, MN 55391
(952) 475-1173

AGENCY APPROVAL:
BABT CERT: NC/000122
UL CERT: E145198

PART NUMBER

36313

REV J

PAGE

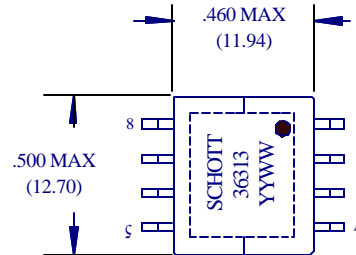
1 END

SPECIFICATIONS

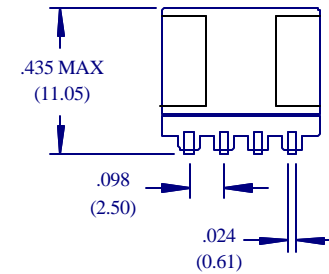
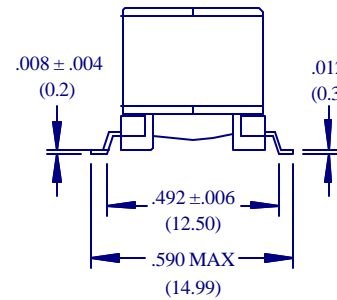
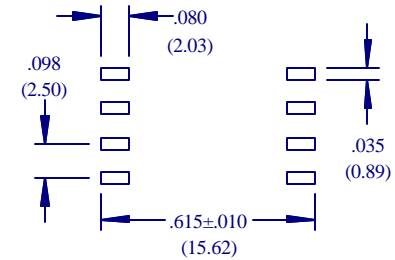
Designed to meet UL1950/EN60950 with supplementary insulation for a working voltage of 250V.

TEMP CLASS: 105° C, FLAMABILITY: UL94V-0
OPERATING TEMPERATURE RANGE -40°C TO +85°C

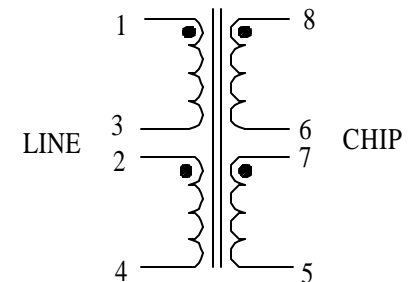
1. INDUCTANCE: @ 100 mVrms, 10 kHz
1-3-2-4 = 356.25 TO 393.75 μ H
2. LEAKAGE INDUCTANCE: @ 0.1 VRMS, 100 kHz
1-4 TIE 2&3, SHORT 8&6,7&5 = 6 μ H MAX
3. IWC: @ 100 kHz, 0.1 Vrms
1-4 TO 8-5 (tie 3&2, 6&7 = 40 pF MAX
4. TURNS RATIO: 1-3 : 2-4 : 8-6 : 7-5 = 1 : 1 : 1 : 1 \pm 1%
5. DC RESISTANCE: OHMS MAX
1-3 = 1.0
2-4 = 1.0
8-6 = 0.30
7-5 = 0.38
6. HIPOT: 1500 VRMS, 1 MINUTE
(1800 VRMS OR 2500 VDC FOR 1 SECOND)
1&2 TO 8&7
1,2,8 & 7 TO CORE
7. LONGITUDINAL BALANCE: V1 = 0 dBm @ 100 kHz TO
1 MHz, Rs = 100 OHMS, RI = 100 OHMS,
LINE = 1-3-2-4, CHIP = 8-6-7-5, V2 = 40 dB MIN.
8. HARMONIC DISTORTION: Rs = 100 OHMS, RI = 100 OHMS,
LINE = 1-3-2-4, CHIP = 8-6-7-5, V1 = 15 Vp-p(5.32 VRMS)
@ 40 kHz, V2 = -69 dB MAX



REF: PWB PATTERN



NOTE:
COPLANARITY < .004 (0.10)



inch
(mm)

TOLERANCES UNLESS OTHERWISE NOTED	2 PLACE	3 PLACE	ANGLE
	± .02	± .010	± °