



120×120×38 mm

San Ace 120 9SG type Model 9SG1224H101 is not certified.

General Specifications

- Material Frame: Aluminum, Impeller: Plastic (Flammability: UL 94V-1)
- Expected life See the table below. (L10 life: 90% survival rate for continuous operation in free air at 60°C, rated voltage)
Expected life at 40°C is for reference only.
- Motor protection function Locked rotor burnout protection, Reverse polarity protection
For details, please refer to p. 573.
- Dielectric strength 50/60 Hz, 500 VAC, for 1 minute (between lead wire conductors and frame)
- Insulation resistance 10 MΩ or more with a 500 VDC megger (between lead wire conductors and frame)
- Sound pressure level (SPL) At 1 m away from the air inlet
- Storage temperature -30 to +70°C (Non-condensing)
- Lead wire ⊕Red ⊖Black or Blue Sensor Yellow
- Mass 400 g

Specifications

The models listed below **have pulse sensors**.

Model no.	Rated voltage [V]	Operating voltage range [V]	Rated current [A]	Rated input [W]	Rated speed [min ⁻¹]	Max. airflow [m ³ /min] [CFM]	Max. static pressure [Pa] [inchH ₂ O]	SPL [dB (A)]	Operating temperature [°C]	Expected life [h]
▶▶ 9SG1212G101	24	20.4 to 27.6	4.0	48.0	6000	7.35 260	340 1.37	64	-20 to +70	40000/60°C (70000/40°C)
▶▶ 9SG1224G101			2.0	48.0	6000	7.35 260	340 1.37	64		
▶▶ 9SG1224H101			0.46	11.0	3400	4.02 142	126 0.51	48		
▶▶ 9SG1248G101	1.0	48.0	6000	7.35 260	340 1.37	64				

The following sensor and control options are available for selection.

Available for all models. Without sensor

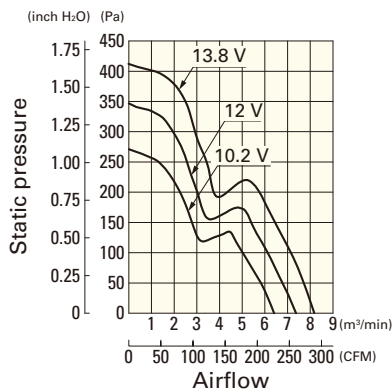
Differs according to the model. Refer to the table on p. 610. Lock sensor PWM control

The ▶ mark indicates Short LeadTime Service applicable models. See p. 626 for details.

Airflow - Static Pressure Characteristics

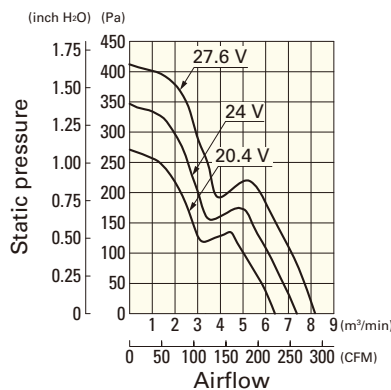
9SG1212G101 With pulse sensor

Operating voltage range



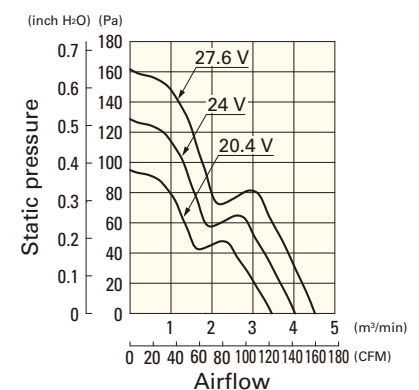
9SG1224G101 With pulse sensor

Operating voltage range



9SG1224H101 With pulse sensor

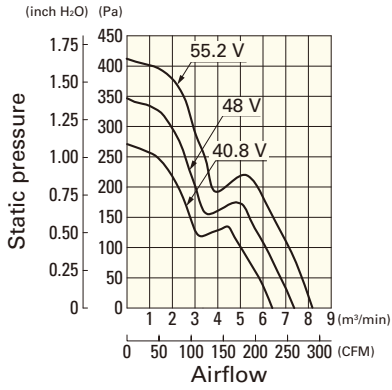
Operating voltage range



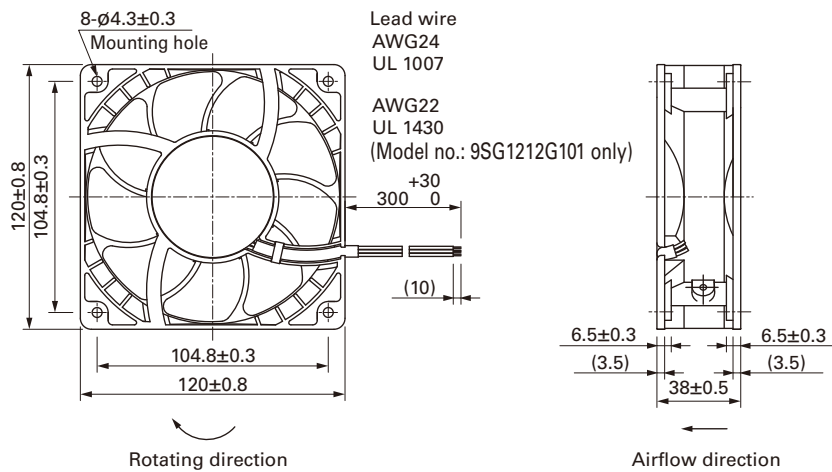
Airflow - Static Pressure Characteristics

9SG1248G101 With pulse sensor

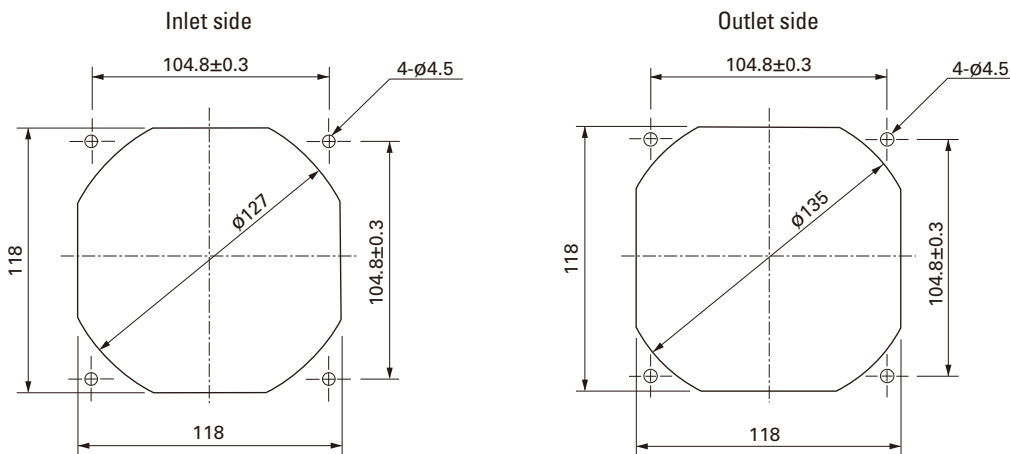
Operating voltage range



Dimensions (unit: mm)



Reference Dimensions of Mounting Holes and Vent Opening (unit: mm)



Options

Finger guards

page: p. 559

Model no.: 109-019E, 109-019K, 109-019C, 109-019H

Resin finger guards

page: p. 565

Model no.: 109-1000G

Resin filter kits

page: p. 566

Model no.: 109-1000F13 (13PPI), 109-1000F20 (20PPI),
109-1000F30 (30PPI), 109-1000F40 (40PPI)