

DC Fan



# 92x92x38 mm

San Ace 92 9G type

## General Specifications

- Material ..... Frame: Plastic (Flammability: UL 94V-0), Impeller: Plastic (Flammability: UL 94V-0)
- Expected life ..... See the table below. (L10 life: 90% survival rate for continuous operation in free air at 60°C, rated voltage)  
Expected life at 40°C is for reference only.
- Motor protection function ..... Locked rotor burnout protection, Reverse polarity protection  
For details, please refer to p. 573.
- Dielectric strength ..... 50/60 Hz, 500 VAC, for 1 minute (between lead wire conductors and frame)
- Insulation resistance ..... 10 MΩ or more with a 500 VDC megger (between lead wire conductors and frame)
- Sound pressure level (SPL) ..... At 1 m away from the air inlet
- Storage temperature ..... -30 to +70°C (Non-condensing)
- Lead wire ..... ⊕Red ⊖Black Sensor Yellow
- Mass ..... 180 g

## Specifications

The models listed below **have ribs and pulse sensors**. For models without ribs, append "1" to the end of model numbers.

| Model no.  | Rated voltage [V] | Operating voltage range [V] | Rated current [A] | Rated input [W] | Rated speed [min <sup>-1</sup> ] | Max. airflow [m <sup>3</sup> /min] [CFM] | Max. static pressure [Pa] [inchH <sub>2</sub> O] | SPL [dB (A)] | Operating temperature [°C] | Expected life [h]          |
|------------|-------------------|-----------------------------|-------------------|-----------------|----------------------------------|--|--|--------------|----------------------------|----------------------------|
| 9G0912G101 | 12                | 7.0 to 13.8                 | 1.1               | 13.2            | 5000                             | 3.1 110                                  | 150 0.602  | 50           | -20 to +60                 | 40000/60°C<br>(70000/40°C) |
| 9G0912H101 |                   |                             | 0.58              | 6.96            | 4000                             | 2.54 90                                  | 100 0.402  | 43           |                            |                            |
| 9G0924G101 | 24                | 20.4 to 27.6                | 0.55              | 13.2            | 5000                             | 3.1 110                                  | 150 0.602  | 50           |                            |                            |
| 9G0924H101 |                   |                             | 0.3               | 7.2             | 4000                             | 2.54 90                                  | 100 0.402  | 43           |                            |                            |
| 9G0948J101 | 48                | 40.8 to 55.2                | 0.32              | 15.36           | 5500                             | 3.41 120.49                              | 178 0.715  | 55           | -20 to +70                 |                            |
| 9G0948G101 |                   |                             | 0.27              | 12.96           | 5000                             | 3.1 110                                  | 150 0.602  | 50           | -20 to +60                 |                            |
| 9G0948H101 |                   |                             | 0.16              | 7.68            | 4000                             | 2.54 90                                  | 100 0.402  | 43           |                            |                            |

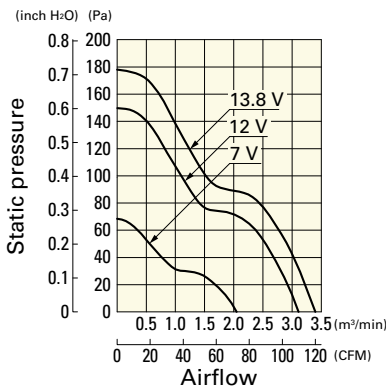
The following sensor and control options are available for selection.

Differs according to the model. Refer to the table on pp. 600 to 601. Without sensor Lock sensor PWM control

## Airflow - Static Pressure Characteristics

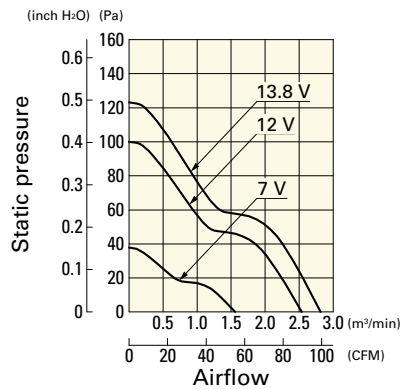
**9G0912G101** With pulse sensor

Operating voltage range



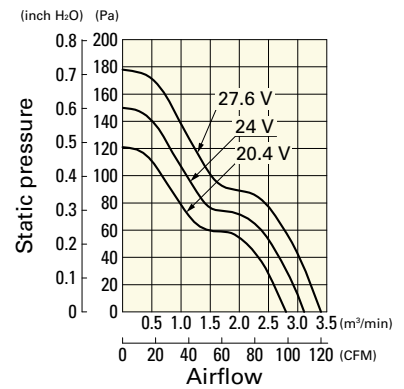
**9G0912H101** With pulse sensor

Operating voltage range



**9G0924G101** With pulse sensor

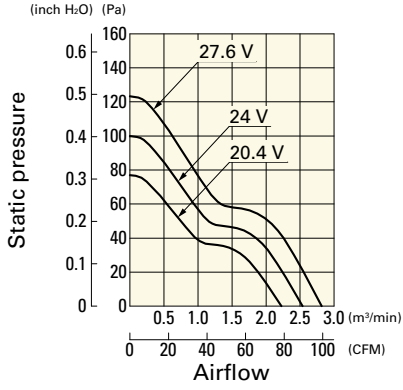
Operating voltage range



**Airflow - Static Pressure Characteristics**

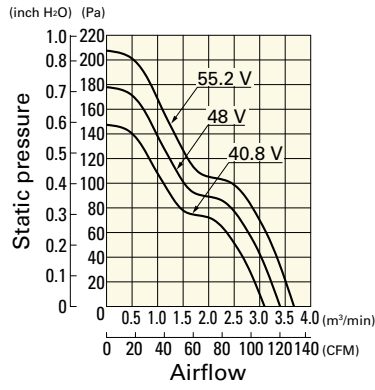
**9G0924H101** With pulse sensor

Operating voltage range



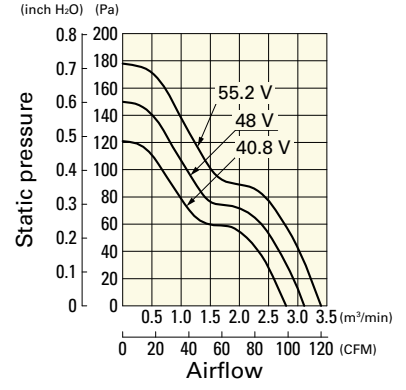
**9G0948J101** With pulse sensor

Operating voltage range



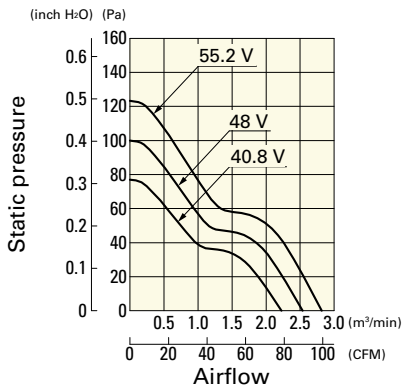
**9G0948G101** With pulse sensor

Operating voltage range

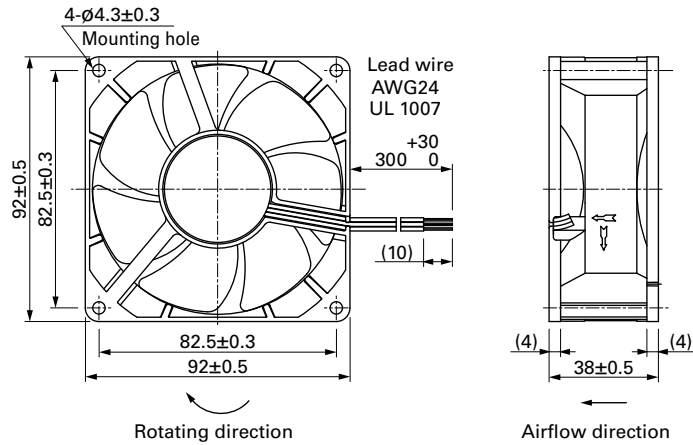


**9G0948H101** With pulse sensor

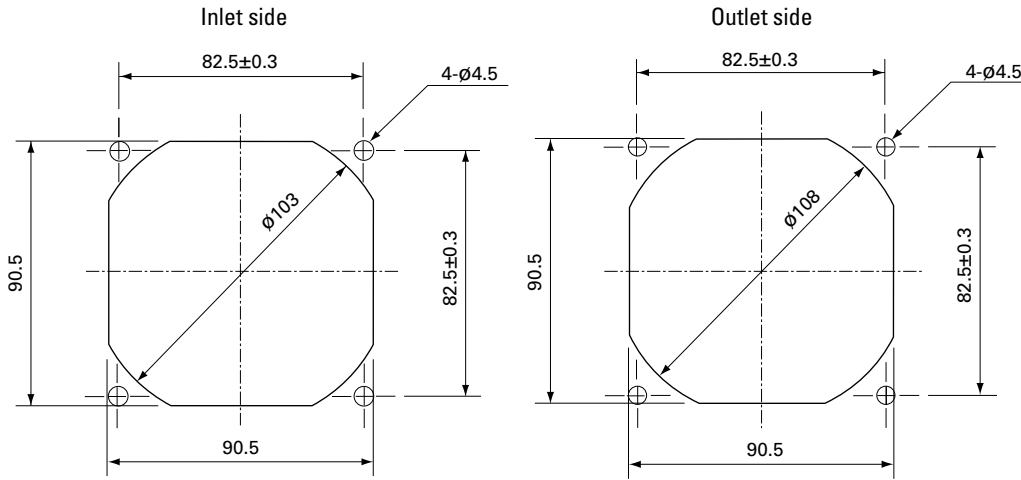
Operating voltage range



**Dimensions (unit: mm)** (With ribs)



## Reference Dimensions of Mounting Holes and Vent Opening (unit: mm)



## Options

### Finger guards

page: p. 558

Model no.: 109-099E, 109-099H, 109-099C

### Resin finger guards

page: p. 565

Model no.: 109-1001G

### Resin filter kits

page: p. 566

Model no.: 109-1001F13 (13PPI), 109-1001F20 (20PPI),  
109-1001F30 (30PPI), 109-1001F40 (40PPI)