

DC Fan

# Ø 172x147x25 mm



**San Ace 172 9E** type

Sidecut type

## General Specifications

- Material ..... Frame: Aluminum, Impeller: Plastic (Flammability: UL 94V-1)
- Expected life ..... See the table below. (L10 life: 90% survival rate for continuous operation in free air at 60°C, rated voltage)  
Expected life at 40°C is for reference only.
- Motor protection function ..... Locked rotor burnout protection, Reverse polarity protection  
For details, please refer to p. 573.
- Dielectric strength ..... 50/60 Hz, 500 VAC, for 1 minute (between lead wire conductors and frame)
- Insulation resistance ..... 10 MΩ or more with a 500 VDC megger (between lead wire conductors and frame)
- Sound pressure level (SPL) ..... At 1 m away from the air inlet
- Storage temperature ..... -30 to +70°C (Non-condensing)
- Lead wire ..... ⊕Red ⊖Black or Blue  Sensor Yellow
- Mass ..... 500 g

## Specifications

The models listed below **have pulse sensors.**

Model no.	Rated voltage [V]	Operating voltage range [V]	Rated current [A]	Rated input [W]	Rated speed [min <sup>-1</sup> ]	Max. airflow [m <sup>3</sup> /min] [CFM]	Max. static pressure [Pa] [inchH <sub>2</sub> O]	SPL [dB (A)]	Operating temperature [°C]	Expected life [h]
<b>109E4712M401</b>	12	10.2 to 13.8	1.3	15.6	2800	5.2 183	92 0.369	51	-20 to +60	40000/60°C (70000/40°C)
<b>109E4712L401</b>			1.0	12.0	2500	4.6 162	73 0.293	48		
<b>109E4724H401</b>	24	20.4 to 27.6	1.0	24.0	3400	6.4 226	135 0.542	57		
<b>109E4724F401</b>			0.79	19.0	3100	5.8 204	112 0.45	54		
<b>109E4724M401</b>			0.58	13.9	2800	5.2 183	92 0.369	51		
<b>109E4724L401</b>			0.44	10.6	2500	4.6 162	73 0.293	48		
<b>109E4748S401</b>	48	40.8 to 55.2	0.62	29.8	3650	6.8 240	156 0.627	58		
<b>109E4748H401</b>			0.52	25.0	3400	6.4 226	135 0.542	57		
<b>109E4748F401</b>			0.4	19.2	3100	5.8 204	112 0.45	54		
<b>109E4748M401</b>			0.32	15.4	2800	5.2 183	92 0.369	51		
<b>109E4748L401</b>			0.25	12.0	2500	4.6 162	73 0.293	48		

The following sensor and control options are available for selection.

Available for all models.  Without sensor  Lock sensor

Differs according to the model. Refer to the table on p. 594.  PWM control

## Airflow - Static Pressure Characteristics

**109E4712M401** With pulse sensor

Operating voltage range



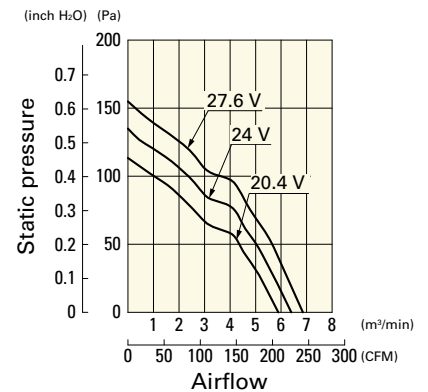
**109E4712L401** With pulse sensor

Operating voltage range



**109E4724H401** With pulse sensor

Operating voltage range

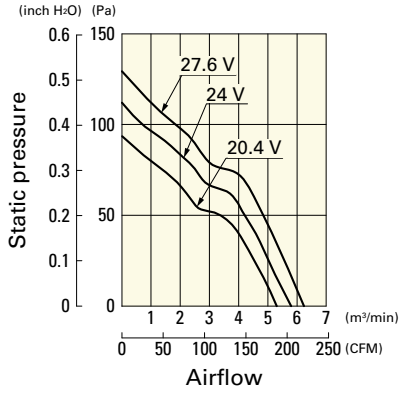


# Airflow - Static Pressure Characteristics

DC Fan ø172 mm

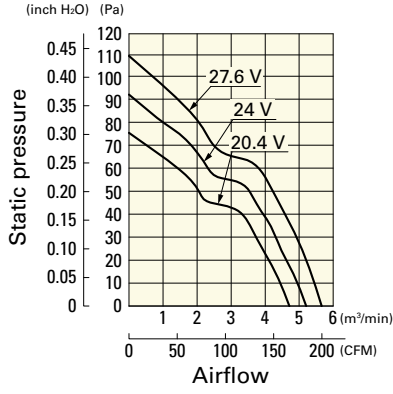
**109E4724F401** With pulse sensor

Operating voltage range



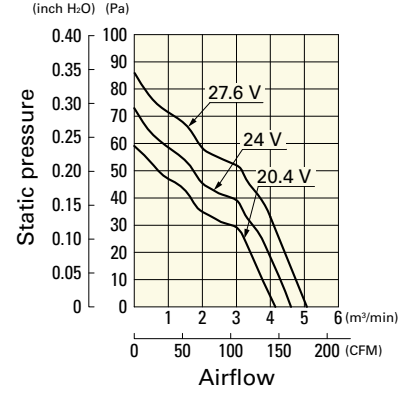
**109E4724M401** With pulse sensor

Operating voltage range



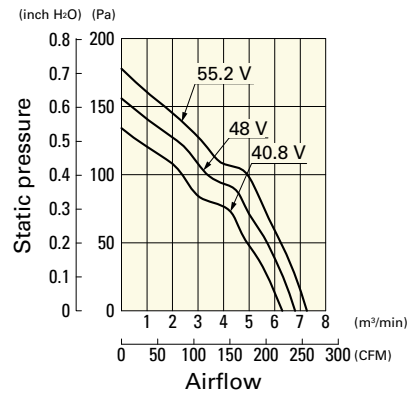
**109E4724L401** With pulse sensor

Operating voltage range



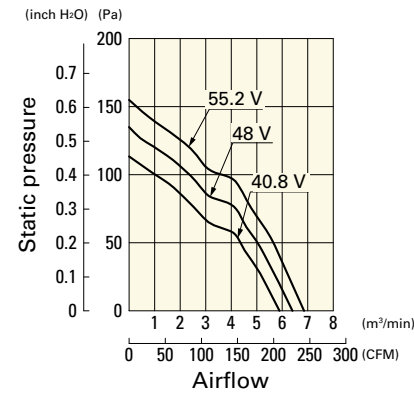
**109E4748S401** With pulse sensor

Operating voltage range



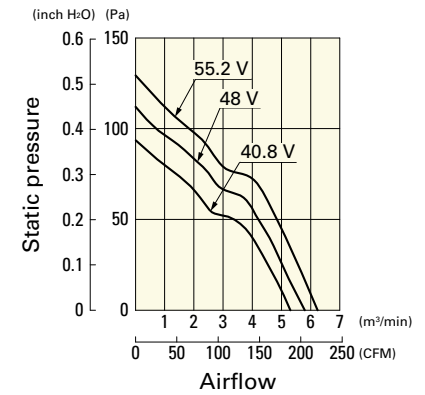
**109E4748H401** With pulse sensor

Operating voltage range



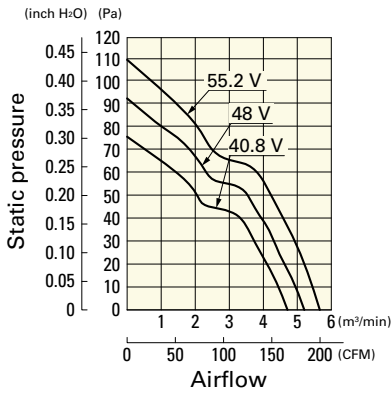
**109E4748F401** With pulse sensor

Operating voltage range



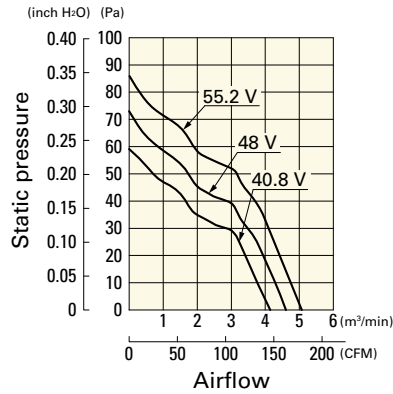
**109E4748M401** With pulse sensor

Operating voltage range

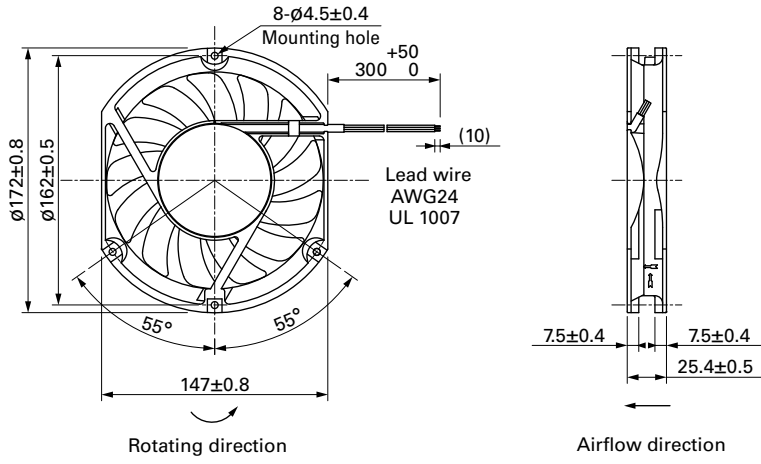


**109E4748L401** With pulse sensor

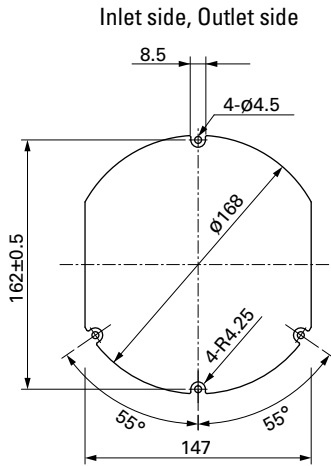
Operating voltage range



**Dimensions (unit: mm)**



**Reference Dimensions of Mounting Holes and Vent Opening (unit: mm)**



**Options**

Finger guards

page: p. 560

Model no.: 109-319E, 109-319H, 109-320