

SANMOTION

SANYO DENKI AMERICA CORE PRODUCTS



MOTION AND CONTROL

4th Edition Rev.2

SANYO DENKI

SANMOTION

SANMOTION is the brand name for SANYO DENKI motion control systems. SANYO DENKI is a worldwide provider of stepping and servo systems. Our products are known for their high quality, reliability and state of the art design. Our systems are used in a variety of industries which include factory automation, semiconductor, medical, and office automation.

SANMOTION R

AC SERVO SYSTEMS

With highly sophisticated control, this model offers a reduction in position settling time and advanced safety functions.

2.4 W to 5 kW

MOTOR SIZE

14, 20, 40, 60, 80, 86, 130, 220 mm

INTERFACE

EtherCAT
Analog/Pulse Input
Indexer
Modbus



SANMOTION Model No.PB

CLOSED LOOP STEPPING SYSTEMS

Hybrid system combining the ease-of-use of stepping motors with the reliability of servo motors.

0.05 to 6.1 N·m

MOTOR SIZE

28, 42, 60, 86 mm

INTERFACE

EtherCAT
Pulse Input
Indexer



SANMOTION F5

5-PHASE STEPPING SYSTEMS

High torque bipolar stepping motors and High performance microstep drivers.

0.041 to 4.4 N·m

MOTOR SIZE

NEMA 11, 17, 60 mm, 86 mm

INTERFACE

Pulse Input



SANMOTION F2

2-PHASE STEPPING SYSTEMS

High torque bipolar stepping motors and High performance microstep drivers.

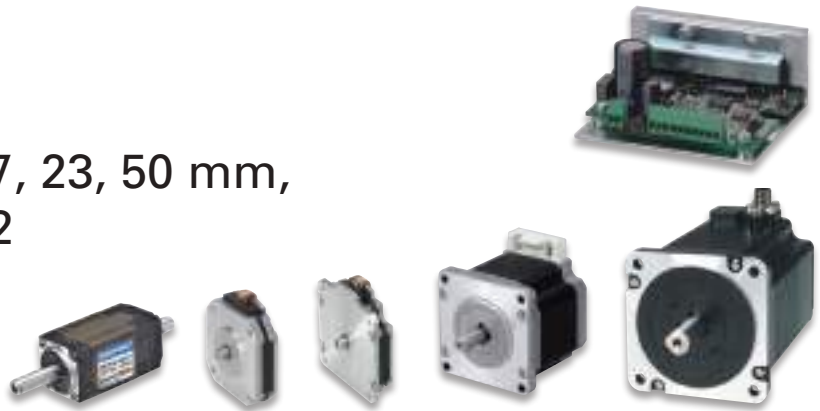
0.0065 to 19 N·m

MOTOR SIZE

14 mm, NEMA 11, 17, 23, 50 mm,
60 mm, NEMA 34, 42

INTERFACE

Pulse Input
Indexer (RTA Product)
Analog (RTA Product)



SANMOTION C

MOTION CONTROLLER

SANMOTION C integrates motion control, robot control, and sequence control into one unit to provide major advantages in reduced device costs and shorter development times. For use in material handling robots and general industrial machinery. Image processing devices and a touch panel have also been developed as motion controller peripherals.

INTERFACE

EtherCAT



New Models

SANMOTION R

AC SERVO SYSTEMS

Evolved, Eco-efficient, and Easy to Use AC Servo Amplifier "SANMOTION R" 3E Model

The 3E Model has a speed frequency response of 2.2 kHz, approximately twice that of our conventional product. The 3E Model is equipped with a gain increase function, a function for suppressing micro-vibrations at settling time, an adaptive notch filter for suppressing mechanical resonance, and a feed-forward vibration control function.



EtherCAT[®]
Conformance tested

SANMOTION Model No. PB

CLOSED LOOP STEPPING SYSTEMS

4-Axis Integrated EtherCAT Driver

High speed serial communication enables 4-axis stepping motor operation. In addition to the conventional closed loop control that eliminates step-out, the new model includes a mode that also eliminates delays in position commands. Without any delays in position commands, device takt time is reduced.



EtherCAT[®]
Conformance tested

SANMOTION F2

2-PHASE STEPPING SYSTEMS

Vacuum Stepping Motor

Vacuum stepping motors can be driven in a vacuum environment without requiring a vacuum feedthrough. Use as vacuum compatible actuators while retaining the stepping motor benefits of easy high-precision open-loop control.



SANMOTION F2

2-PHASE STEPPING SYSTEMS

14 mm sq. Compact Stepping Motor

Longer model in the compact 2-phase stepping motor released. Though small in size, its holding torque is significant at 1.42 oz-in.

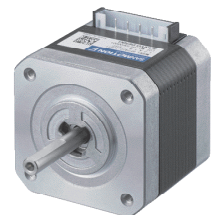


42 mm sq. High Torque Stepping Motor

10%* higher holding torque, 3 dB(A)* lower noise levels, 2.4%* improved efficiency.

This enables precise positioning and thereby shortens positioning time as well.

* Approximate value. Compared with our current model.



Index

Introduction	2
SANMOTION R AC Servo Systems	6
Features	6
Combination Chart	7
Motors	8
Amplifiers	26
3E Model Analog/Pulse Input Type Servo Amplifier	26
Indexer Type Servo Amplifier	31
Indexer Modbus Interface Type Servo Amplifier	36
3E Model EtherCAT Interface Type Servo Amplifier	40
EtherCAT Interface Type Servo Amplifier	45
EtherCAT Interface High Speed Type Servo Amplifier	50
Analog DC Input Type Servo Amplifier	55
EtherCAT Interface DC Input Type Servo Amplifier	59
EtherCAT Interface DC Input Type Multi Axis Servo Amplifier	63
SANMOTION Model No. PB Closed Loop Stepping Systems	70
Features	70
Combination Chart	71
Motors	72
Drivers	81
SANMOTION F5 5-phase Stepping Systems	98
Features	98
Combination Chart	99
Motors	100
Drivers	112
SANMOTION F2 2-phase Stepping Systems	116
Features	116
Combination Chart	116
Motors	119
Drivers	158
SANMOTION C Motion Controller	162
Features	162
Specifications	163

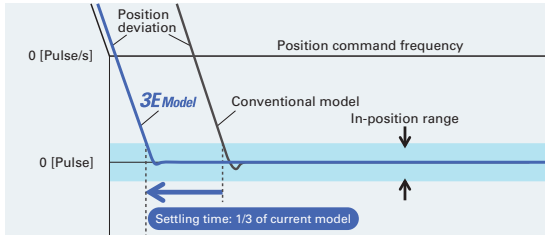
SANMOTION R

AC SERVO SYSTEMS



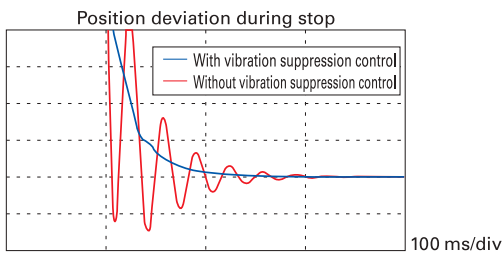
High Response

The 3E Model has a speed frequency response of 2.2 kHz, approximately twice that of our conventional product. Additionally, the position settling time has been shortened to 1/3 of the original time.



Vibration Suppression Control

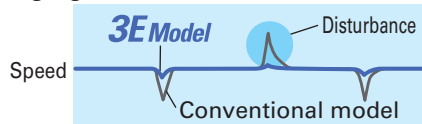
Feed forward vibration suppression control eliminates the typical vibrations seen at stationary positions in a servo system. This noise suppression is easily reduced by using simple on-board tuning procedures.



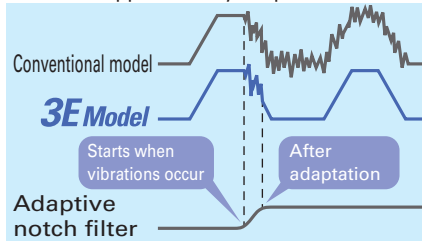
Improved Control Accuracy

The 3E Model is equipped with a gain increase function, a function for suppressing micro-vibrations at settling time, an adaptive notch filter for suppressing mechanical resonance, and a feed-forward vibration control function.

High-gain control



Vibration suppression by adaptive notch filter



EtherCAT Model

- Model-based Following Control
- Auto Tuning
- Vibration Suppression Control
- Disturbance Suppression
- Homing Mode
- Position Mode (PP, CSV, IP*)
- Velocity Mode (PV, CSV)
- Torque Mode (TQ, CST)
- Safety Function
- *High speed type only



Indexer Model

- Auto Tuning
- Vibration Suppression Control
- Disturbance Suppression
- Point data: Max. 254 points
- Position Command Range: ± 31 bit
- Homing Function
- Point Loop/Conditional Jump
- Jogging Function



Analog/Pulse Input Model

- Model-based Following Control
- Auto Tuning
- Vibration Suppression Control
- Disturbance Suppression
- Position command
- Pulse Input Frequency: Max. 5M Hz
- Velocity Command**
- Analog Voltage: Max. $\pm 12V$
- Preset Command: 3 points
- Torque Command**
- Analog Voltage: Max. $\pm 12V$
- **AC input type only



Lineup

Small Capacity Motors

Rated Power	Flange Size mm inch	Rated Torque N·m lb·in	Peak Torque at Stall N·m lb·in	Speed min ⁻¹	Model	Servo Amplifier Interface								Page
						EtherCAT				Indexer	Modbus	Analog / Pulse		
						200 VAC	100 VAC	48 VDC	24 VDC			200 VAC	48 VDC	
2.4 W	14 0.55	0.023	0.06	Max. 1500	R2GAD102RM			■						8
		0.204	0.53	Rated 1000										
20 W	20 0.79	0.064	0.23	Max. 6000	R2GA02D20F			■						9
		0.57	2.04	Rated 3000										
		0.064	0.18	Max. 4500					■					
30 W	20 0.79	0.095	0.38	Max. 6000	R2FA02D20D				■					10
		0.84	3.4	Rated 3000										
		0.095	0.38	Max. 3000					■					
		0.84	3.4	Rated 3000										
		0.098	0.37	Max. 6000		■				■		■		
		0.87	3.3	Rated 3000										
50 W	40 1.57	0.098	0.24	Max. 6000	R2AA04003F	■								11
		0.87	2.1	Rated 3000			■							
		0.098	0.33	Max. 6000					■					
		0.87	2.9	Rated 3000								■		
80 W	40 1.57	0.159	0.59	Max. 6000	R2GA04003F	■								12
		1.41	5.2	Rated 3000										
		0.159	0.54	Max. 6000										
100 W (90 W)	60 2.36	0.159	0.40	Max. 4500	R2EA04005F									13
		1.41	3.5	Rated 3000										
		0.255	0.86	Max. 6000										
200 W	60 2.36	2.27	7.6	Rated 3000	R2FA04005D									14
		0.255	0.86	Max. 5000										
		2.27	7.6	Rated 3000								■		
400 W (360 W)	60 2.36	0.318	1.18	Max. 6000	R2EA04008F									15
		2.81	10.4	Rated 3000										
		0.318	0.84	Max. 2500										
70 W	60 2.36	2.81	7.43	Rated 2100	R2GA04008D									16
		0.318	1.13	Max. 6000										
		2.81	10.0	Rated 3000										
100 W	60 2.36	0.318	1	Max. 6000	R2FA06007R	■								17
		2.81	8.8	Rated 3000										
		0.318	0.84	Max. 5000										
200 W	60 2.36	2.81	7.43	Rated 3000	R2AA06010F									18
		0.637	2.2	Max. 6000										
		5.64	19.5	Rated 3000										
400 W (360 W)	60 2.36	0.637	1.5	Max. 4500	R2EA06010F									19
		5.64	13.3	Rated 3000										
		1.27	4.8	Max. 6000										
750 W	80 3.15	11.2	42	Rated 3000	R2GA06010D									20
		1.15	4.8	Max. 6000										
		10.2	42	Rated 3000										
1 kW	86 3.39	2.39	8.5	Max. 6000	R2AA06020F	■								21
		21.2	75	Rated 3000										
		2.39	8.5	Max. 6000										
1 kW	86 3.39	21.2	75	Rated 3000	R2EA06020F									22
		5.64	13.3	Rated 3000										
		1.27	4.8	Max. 6000										
400 W (360 W)	60 2.36	11.2	42	Rated 3000	R2GA06020D									23
		1.15	4.8	Max. 6000										
		10.2	42	Rated 3000										
750 W	80 3.15	2.39	8.5	Max. 6000	R2AA06040FX	■								24
		21.2	75	Rated 3000										
		2.39	8.5	Max. 6000										
1 kW	86 3.39	21.2	75	Rated 3000	R2AA06040FC									25
		5.64	13.3	Rated 3000										
		1.27	4.8	Max. 6000										
400 W (360 W)	60 2.36	11.2	42	Rated 3000	R2AA08075F	■								26
		1.15	4.8	Max. 6000										
		10.2	42	Rated 3000										
750 W	80 3.15	2.39	8.5	Max. 6000	R2AA22500L	■								27
		21.2	75	Rated 3000										
		2.39	8.5	Max. 6000										
1 kW	86 3.39	21.2	75	Rated 3000	R2AAB8100H									28
		5.64	13.3	Rated 3000										
		1.27	4.8	Max. 6000										

Medium Capacity Motors

Rated Power	Flange Size mm inch	Rated Torque N·m lb·in	Peak Torque at Stall N·m lb·in	Speed min ⁻¹	Model	Servo Amplifier Interface								Page
						EtherCAT				Indexer	Modbus	Analog / Pulse		
						200 VAC	100 VAC	48 VDC	24 VDC			200 VAC	48 VDC	
0.55 kW	130 5.12	2.6 23	7 62	Max. 5000 Rated 2000	R2AA13050D	■								21
1.2 kW	130 5.12	5.7 50	16 142	Max. 5000 Rated 2000	R2AA13120D	■								22
2 kW	130 5.12	9.5 84	30 265	Max. 5000 Rated 2000	R2AA13200D	■								23
5 kW	220 8.67	24 212	75 664	Max. 4000 Rated 2000	R2AA22500L	■								24

Linear Actuator

Rated Thrust	Motor Size mm inch	Rated Thrust N lb	Peak Thrust N lb	Speed m/s	Model	Servo Amplifier Interface								Page
						EtherCAT				Indexer	Modbus	Analog / Pulse		
						200 VAC	100 VAC	48 VDC	24 VDC			200 VAC	48 VDC	
5.1 N	12 0.47	5.1 1.2	16.5 3.71	Max. 2.0 Rated 1.0	DE0AC001A03MX00				■					25

AC SERVO SYSTEMS

**MOTOR
POWER**

2.4W

**MOTOR
FLANGE SIZE**

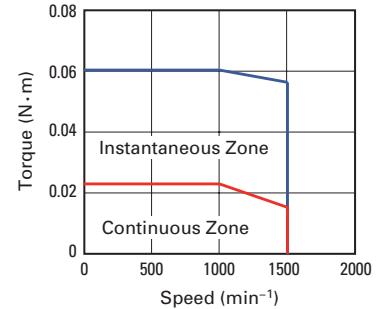
14 mm (0.55 inch)

Specifications

Power Supply	48 VDC	
Model	R2GAD102RMXH30	
Rated Power	kW	0.0024
Maximum Speed	min ⁻¹	1500
Rated Speed	min ⁻¹	1000
Rated Torque	N·m	0.023
	lb·in	0.204
Peak Torque at Stall	N·m	0.06
	lb·in	0.53
Rotor Moment of Inertia	x10 ⁻⁴ kg·m ²	0.0023
	lb·in ²	0.000786
Encoder	17bit serial absolute	
Motor Mass	kg	0.15
	lb	0.33
Operating Temperature	0 to 40°C (32 to 104°F)	
Humidity	20 ~ 90% RH, no condensation	

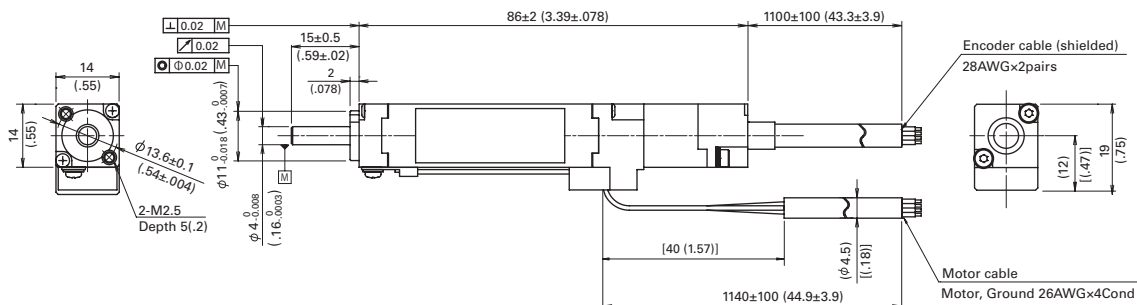
Torque Curve

R2GAD102RM



Dimension

Unit: mm (inch)



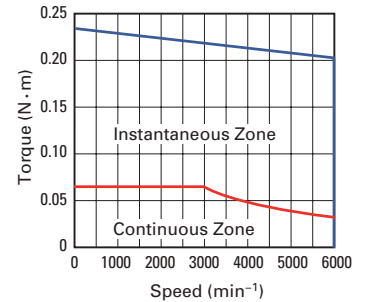
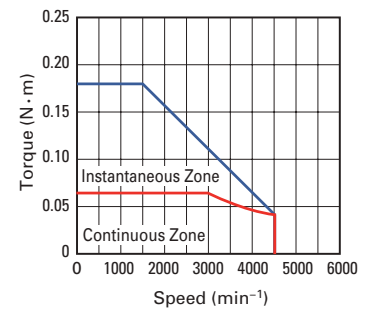
Applicable Amplifier

Power Supply	Motor	Amplifier			
		EtherCAT	Indexer	Modbus	Analog/Pulse
48 VDC	R2GAD102RMXH30 1027-116392 ^{*3}	RF2J14A0HL5			

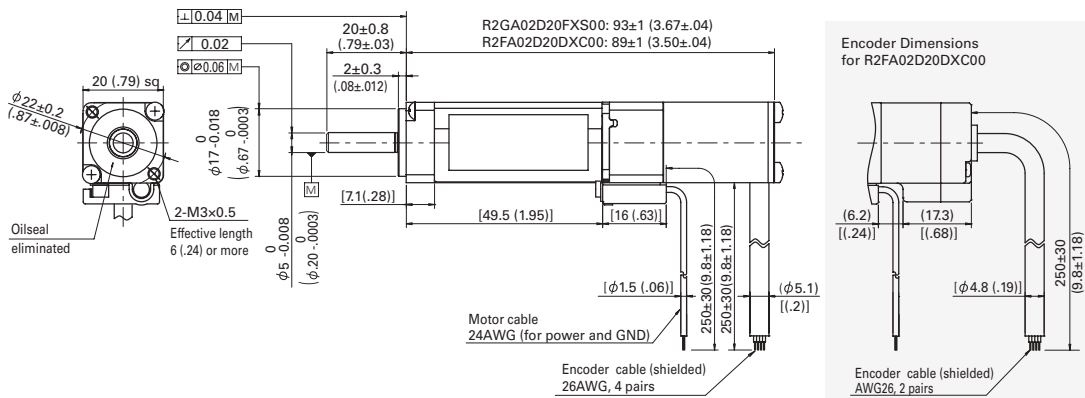
*3 1027-: w/ CPC screw lock type connector assembly.

**MOTOR
POWER****20W****MOTOR
FLANGE SIZE****20 mm (0.79 inch)****Specifications**

Power Supply		48 VDC	24 VDC
Model		R2GA02D20F	R2FA02D20D
Rated Power	kW	0.02	0.02
Maximum Speed	min ⁻¹	6000	4500
Rated Speed	min ⁻¹	3000	3000
Rated Torque	N·m	0.064	0.064
	lb·in	0.57	0.57
Peak Torque at Stall	N·m	0.23	0.18
	lb·in	2.04	1.59
Rotor Moment of Inertia	$\times 10^{-4}$ kg·m ²	0.0033	0.0033
	lb·in ²	0.0011	0.0011
Encoder		2000 P/R incremental	13bit serial absolute
Motor Mass	kg	0.14	0.14
	lb	0.31	0.31
Operating Temperature		0 to 40°C (32 to 104°F)	
Humidity		20 ~ 90% RH, no condensation	

Torque Curve**R2GA02D20F****R2FA02D20D****Dimension**

Unit: mm (inch)

**Applicable Amplifier**

Power Supply	Motor	Amplifier			
		EtherCAT	Indexer	Modbus	Analog/Pulse
48 VDC	R2GA02D20FXS00 1027-107013 ^{*3}	RS2K04AAHA5 RF2J24A8HL5			
24 VDC	R2FA02D20DXC00 1027-116393 ^{*3}	RS2J04A2HA5 RF2K24A0HL5			

^{*3} 1027-: w/ CPC screw lock type connector assembly.

AC SERVO SYSTEMS

MOTOR POWER

30 W

MOTOR FLANGE SIZE

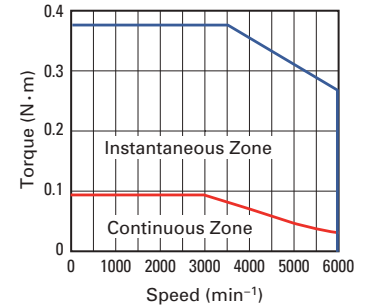
20 mm (0.79 inch)

Specifications

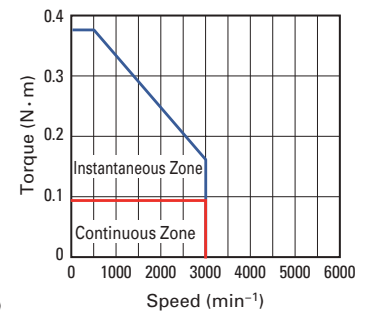
Power Supply		48 VDC	24 VDC
Model		R2GA02D30F	R2FA02D30H
Rated Power	kW	0.03	0.03
Maximum Speed	min ⁻¹	6000	3000
Rated Speed	min ⁻¹	3000	3000
Rated Torque	N·m	0.095	0.095
	lb·in	0.84	0.84
Peak Torque at Stall	N·m	0.38	0.38
	lb·in	3.36	3.36
Rotor Moment of Inertia	x10 ⁻⁴ kg·m ²	0.0046	0.0046
	lb·in ²	0.0016	0.0016
Encoder		2000 P/R incremental	13bit serial absolute
Motor Mass	kg	0.18	0.18
	lb	0.4	0.4
Operating Temperature		0 to 40°C (32 to 104°F)	
Humidity		20 ~ 90% RH, no condensation	

Torque Curve

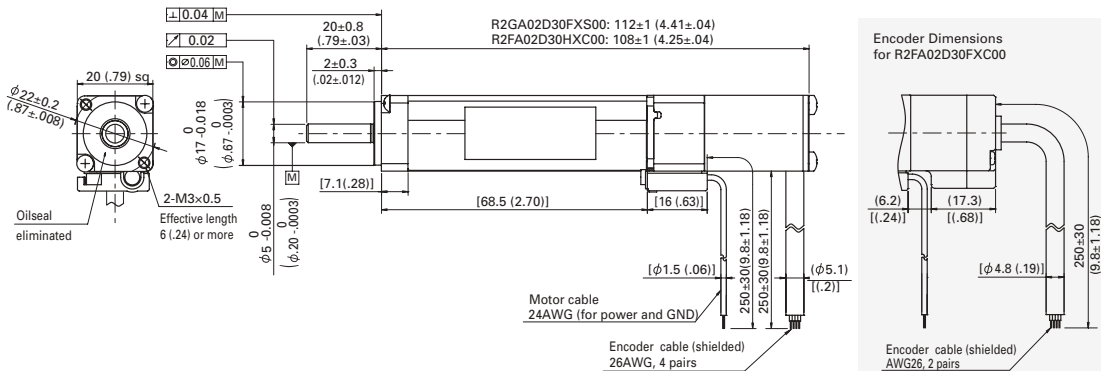
● R2GA02D30F



● R2FA02D30H



Unit: mm (inch)



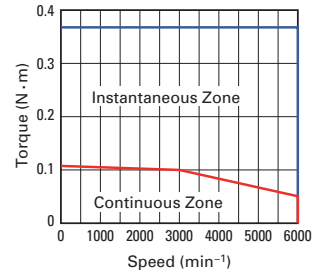
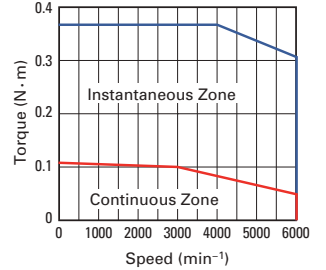
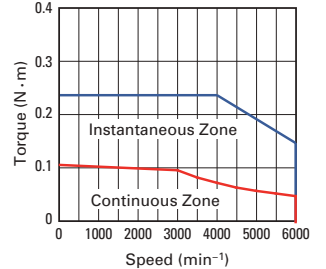
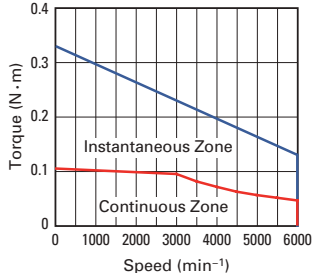
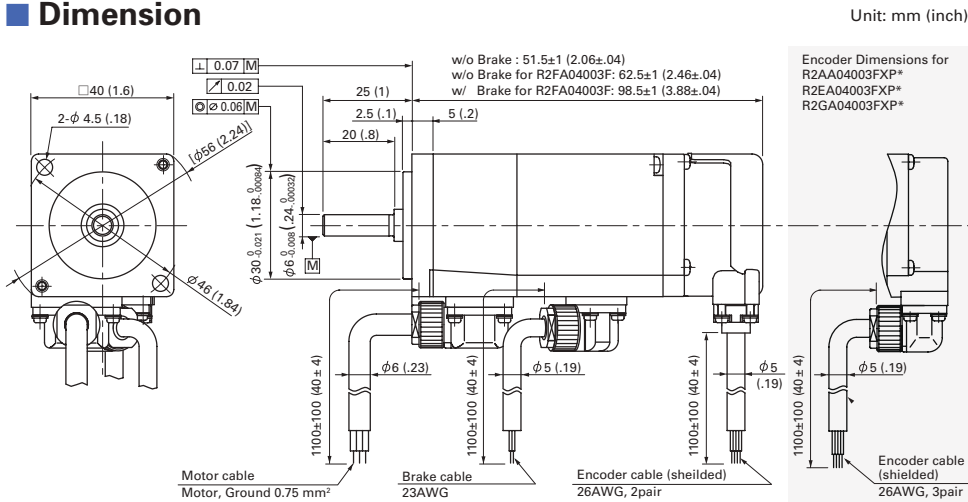
Applicable Amplifier

Power Supply	Motor	Amplifier			
		EtherCAT	Indexer	Modbus	Analog/Pulse
48 VDC	R2GA02D30FXS00 1027-107014*3	RS2K04AAHA5 RF2J24A8HL5			
24 VDC	R2FA02D30HXC00 1027-116394*3	RS2J04A2HA5 RF2K24A0HL5			

*3 1027-: w/ CPC screw lock type connector assembly.

MOTOR POWER**30 W****MOTOR FLANGE SIZE****40 mm (1.57 inch)****Specifications**

Power Supply		200 VAC	100 VAC	48 VDC	24 VDC
Model		R2AA04003F	R2EA04003F	R2GA04003F	R2FA04003F
Rated Power	kW	0.03	0.03	0.03	0.03
Maximum Speed	min ⁻¹	6000	6000	6000	6000
Rated Speed	min ⁻¹	3000	3000	3000	3000
Rated Torque	N·m	0.098	0.098	0.098	0.098
	lb·in	0.87	0.87	0.87	0.87
Peak Torque at Stall	N·m	0.37	0.37	0.37	0.33
	lb·in	3.3	3.3	3.3	2.92
Rotor Moment of Inertia	x10 ⁻⁴ kg·m ²	0.028	0.028	0.0247	0.0247
	lb·in ²	0.0095	0.0095	0.0084	0.0084
Encoder		17 bit serial absolute			
Motor Mass	kg	0.35	0.35	0.35	0.37
	lb	0.78	0.78	0.78	0.82
Operating Temperature		0 to 40°C (32 to 104°F)			
Humidity		20 to 90% RH, no condensation			

**Torque Curve****R2AA04003F****R2EA04003F****R2GA04003F****R2FA04003F****Dimension****Applicable Amplifier**

Power Supply	Motor	Amplifier			
		EtherCAT	Indexer	Modbus	Analog/Pulse
200 VAC	R2AA04003FXP00M(E01) ^{*3}	RS2A01A0KA4 RS2A01A2HA5	RS1A01AC	RS1A01AF	RS3A01A0AA4
100 VAC	R2EA04003FXP00M(E01) ^{*3}	RS2E01A0KA4			
48 VDC	R2GA04003FXP00M 1027-116504 ^{*3}	RS2K04A2HA5 RF2K24A0HL5			RF2G21A0A00
24 VDC	R2FA04003FXR03M 1027-116396 ^{*3}	RS2J04A2HA5			
	R2FA04003FCR03M 1027-116395 ^{*3}	RF2K24A0HL5			

*3 E01 and 1027-: w/ CPC screw lock type connector assembly.

AC SERVO SYSTEMS

MOTOR POWER

50 W

MOTOR FLANGE SIZE

40 mm (1.57 inch)

Specifications

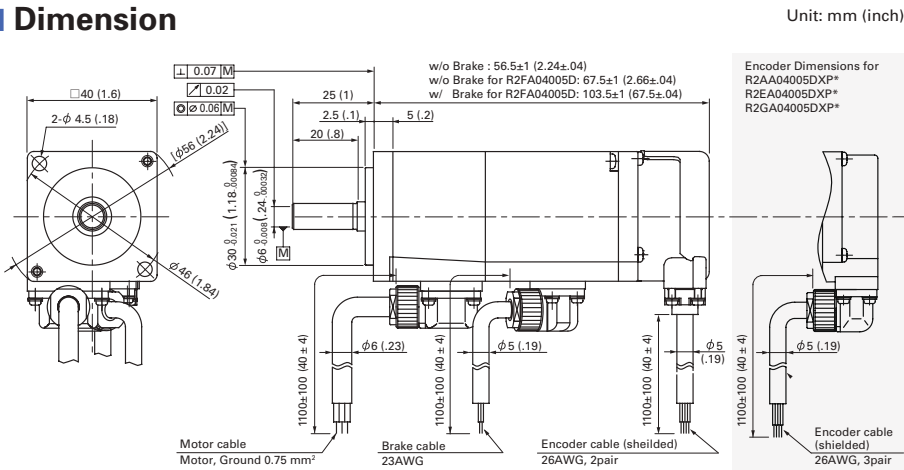


Power Supply		200 VAC	100 VAC	48 VDC	24 VDC
Model		R2AA04005F	R2EA04005F	R2GA04005F	R2FA04005D ^{*2}
Rated Power	kW	0.05	0.05	0.05	0.05
Maximum Speed	min ⁻¹	6000	6000	6000	4500
Rated Speed	min ⁻¹	3000	3000	3000	3000
Rated Torque	N·m	0.159	0.159	0.159	0.159
	lb·in	1.41	1.41	1.41	1.41
Peak Torque at Stall	N·m	0.59	0.59	0.59	0.40
	lb·in	5.22	5.22	5.22	3.54
Rotor Moment of Inertia	x10 ⁻⁴ kg·m ²	0.0409	0.0409	0.0376	0.0376
	lb·in ²	0.0139	0.0139	0.0128	0.0128
Encoder		17bit serial absolute ^{*1}			
Motor Mass	kg	0.39	0.39	0.39	0.41
	lb	0.87	0.87	0.87	0.90
Operating Temperature		0 to 40°C (32 to 104°F)			
Humidity		20 to 90% RH, no condensation			

*1 2000 p/r incremental encoder equipped motor is also available for R2AA04005F.

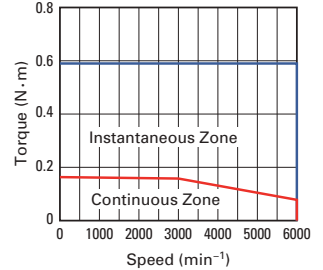
*2 Brake equipped motor is available. Refer to page 67 for brake specifications.

Dimension

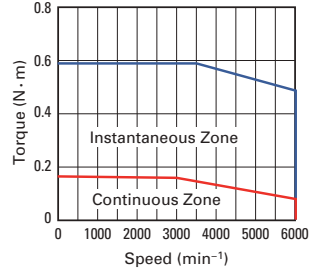


Torque Curve

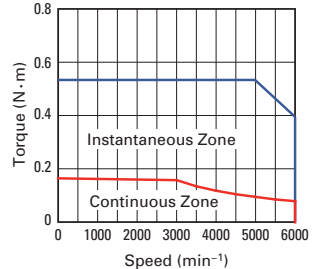
R2AA04005F



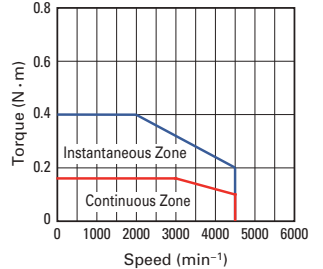
R2EA04005F



R2GA04005F



R2FA04005D



Applicable Amplifier

Power Supply	Motor	Amplifier			
		EtherCAT	Indexer	Modbus	Analog/Pulse
200 VAC	R2AA04005FXP00M(E01) ^{*3}	RS2A01A0KA4 RS2A01A2HA5	RS1A01AC	RS1A01AF	RS3A01A0AA4
100 VAC	R2EA04005FXP00M(E01) ^{*3}	RS2E01A0KA4			
48 VDC	R2GA04005FXP00M 1027-116505 ^{*3}	RS2K04A2HA5 RF2K24A0HL5			RF2G21A0A00
24 VDC	R2FA04005DXR03M 1027-116398 ^{*3}	RS2J04A2HA5			
	R2FA04005DCR03M 1027-116397 ^{*3}	RF2K24A0HL5			

*3 E01 and 1027-: w/ CPC screw lock type connector assembly.

**MOTOR
POWER**

80 W

**MOTOR
FLANGE SIZE**

40 mm (1.57 inch)

Specifications

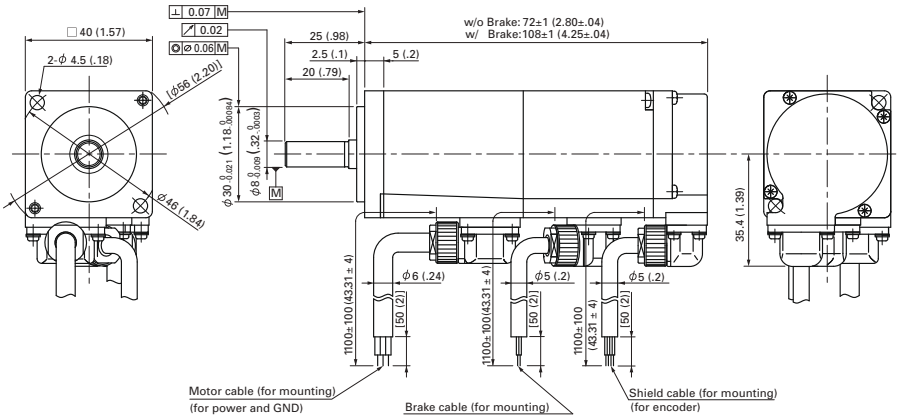


Power Supply		100 VAC	48 VDC
Model		R2EA04008F*2	R2GA04008D*2
Rated Power	kW	0.08	0.08
Maximum Speed	min ⁻¹	6000	5000
Rated Speed	min ⁻¹	3000	3000
Rated Torque	N·m	0.255	0.255
	lb·in	2.27	2.27
Peak Torque at Stall	N·m	0.86	0.86
	lb·in	7.6	7.6
Rotor Moment of Inertia	x10 ⁻⁴ kg·m ²	0.066	0.0627
	lb·in ²	0.023	0.021
Encoder		17bit serial absolute	
Motor Mass	kg	0.51	0.51
	lb	1.13	1.13
Operating Temperature		0 to 40°C (32 to 104°F)	
Humidity		20 to 90% RH, no condensation	

*2 Brake equipped motor is available. Refer to page 67 for brake specifications.

Dimension

Unit: mm (inch)



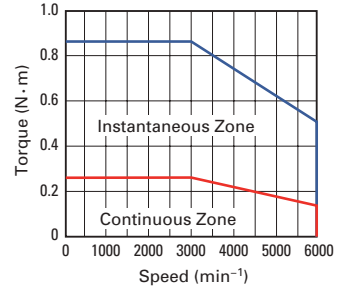
Applicable Amplifier

Power Supply	Motor	Amplifier			
		EtherCAT	Indexer	Modbus	Analog/Pulse
100 VAC	R2EA04008FXP00M(E01)*3	RS2E01A0KA4			
	R2EA04008FCP00M(E01)*3 w/ Brake				
48 VDC	R2GA04008DXP00M 1027-107016*3	RS2K04A2HA5 RF2K24A0HL5			RF2G21A0A00
	R2GA04008DCP00M 1027-107015*3 w/ Brake				

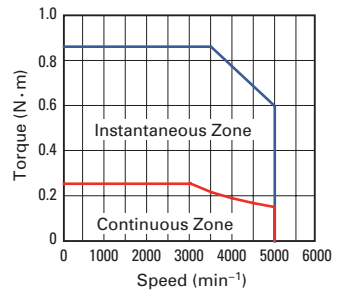
*3 E01 and 1027-: w/ CPC screw lock type connector assembly.

Torque Curve

R2EA04008F



R2GA04008D



AC SERVO SYSTEMS

MOTOR POWER

100 W

MOTOR FLANGE SIZE

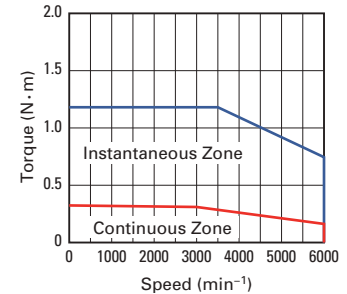
40 mm (1.57 inch)

Specifications



Torque Curve

R2AA04010F

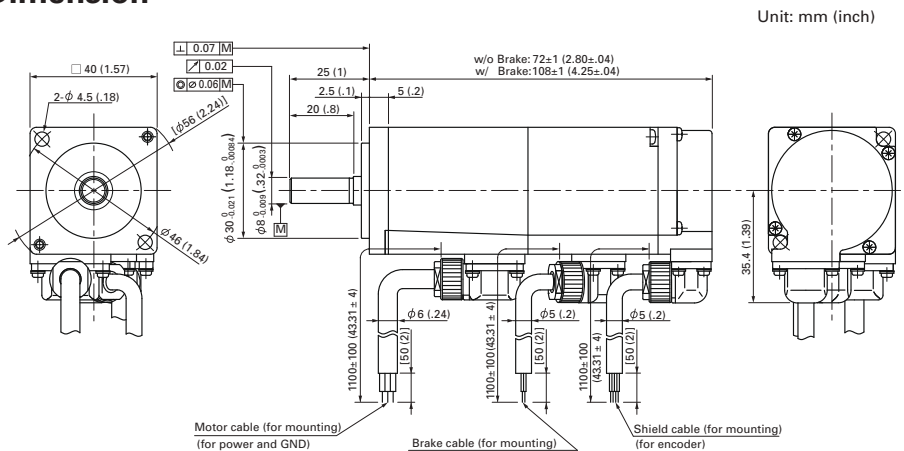


Power Supply	200 VAC	
Model	R2AA04010F ^{*2}	
Rated Power	kW	0.1 (0.09 ^{*2})
Maximum Speed	min ⁻¹	6000
Rated Speed	min ⁻¹	3000
Rated Torque	N·m	0.318 (0.286 ^{*2})
	lb·in	2.81 (2.04 ^{*2})
Peak Torque at Stall	N·m	1.18
	lb·in	10.4
Rotor Moment of Inertia	x10 ⁻⁴ kg·m ²	0.066
	lb·in ²	0.023
Encoder	17bit serial absolute ^{*1}	
Motor Mass	kg	0.51
	lb	1.13
Operating Temperature	0 to 40°C (32 to 104°F)	
Humidity	20 to 90% RH, no condensation	

*1 2000 p/r incremental encoder equipped motor is also available.

*2 (): Specification for brake motor. Refer to page 67 for brake specifications.

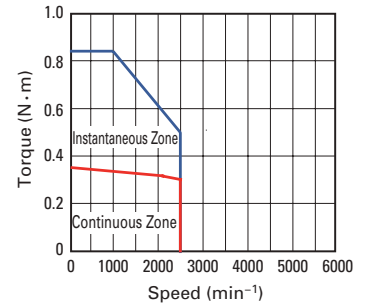
Dimension



Applicable Amplifier

Power Supply	Motor	Amplifier			
		EtherCAT	Indexer	Modbus	Analog/Pulse
200 VAC	R2AA04010FXP00M(E01) ^{*3}	RS3A01A2HA4	RS1A01AC	RS1A01AF	RS3A01A0AA4
	R2AA04010A0KA4	RS2A01A2HA5			
	R2AA04010FCP00M6(E01) ^{*3} w/ Brake	RS2A01A2HA5			

*3 E01: w/ CPC screw lock type connector assembly

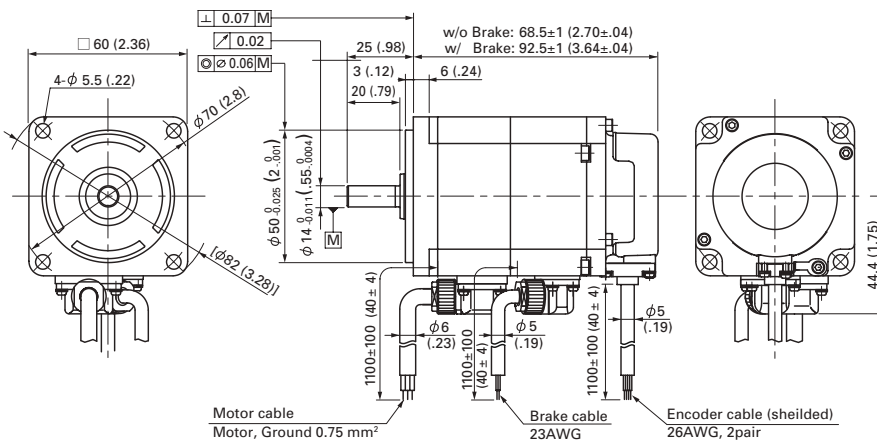
**MOTOR
POWER****70W****MOTOR
FLANGE SIZE****60 mm (2.36 inch)****Specifications****Torque Curve**● **R2FA06007R**

Power Supply	24 VDC	
Model	R2FA06007R*2	
Rated Power	kW	0.07
Maximum Speed	min ⁻¹	2500
Rated Speed	min ⁻¹	2100
Rated Torque	N·m	0.318
	lb·in	2.81
Peak Torque at Stall	N·m	0.84
	lb·in	7.43
Rotor Moment of Inertia	$\times 10^{-4}$ kg·m ²	0.117
	lb·in ²	0.040
Encoder	17bit serial absolute	
Motor Mass	kg	0.74
	lb	1.63
Operating Temperature	0 to 40°C (32 to 104°F)	
Humidity	20 to 90% RH, no condensation	

*2 Brake equipped motor is available. Refer to page 67 for brake specifications.

Dimension

Unit: mm (inch)

**Applicable Amplifier**

Power Supply	Motor		Amplifier			
			EtherCAT	Indexer	Modbus	Analog/Pulse
24 VDC	R2FA06007RXR03M 1027-116400*3		RS2J04A2HA5			
	R2FA06007RCR03M 1027-116399*3	w/Brake	RF2K24A0HL5			

*3 1027-: w/ CPC screw lock type connector assembly.

AC SERVO SYSTEMS

MOTOR POWER

100 W

MOTOR FLANGE SIZE

60 mm (2.36 inch)

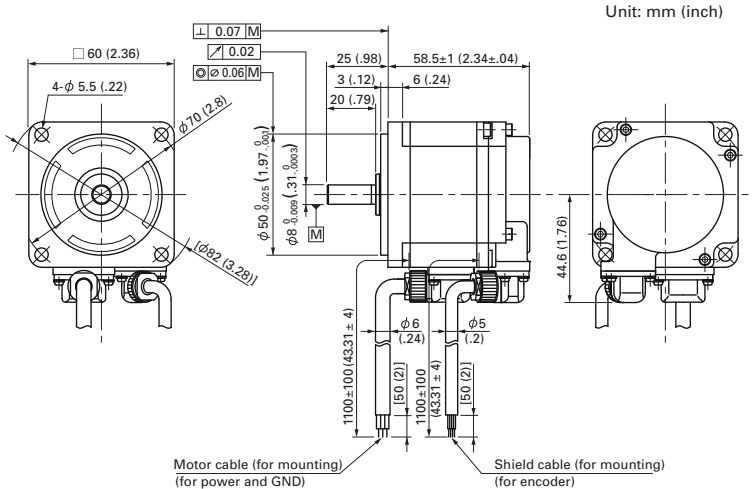
Specifications



Power Supply		200 VAC	100 VAC	48 VDC
Model		R2AA06010F	R2EA06010F	R2GA06010D
Rated Power	kW	0.1	0.1	0.1
Maximum Speed	min ⁻¹	6000	6000	5000
Rated Speed	min ⁻¹	3000	3000	3000
Rated Torque	N·m	0.318	0.318	0.318
	lb·in	2.81	2.81	2.81
Peak Torque at Stall	N·m	1.13	1	0.84
	lb·in	10.0	8.80	7.43
Rotor Moment of Inertia	x10 ⁻⁴ kg·m ²	0.1203	0.1203	0.117
	lb·in ²	0.0409	0.0409	0.0400
Encoder		17bit serial absolute ^{*1}		
Motor Mass	kg	0.71	0.71	0.71
	lb	1.58	1.58	1.58
Operating Temperature		0 to 40°C (32 to 104°F)		
Humidity		20% to 90% RH, no condensation		

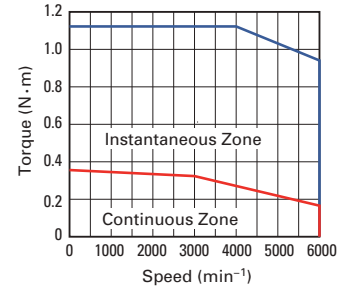
*1 2000 p/r incremental encoder equipped motor is also available for R2AA06010F.

Dimension

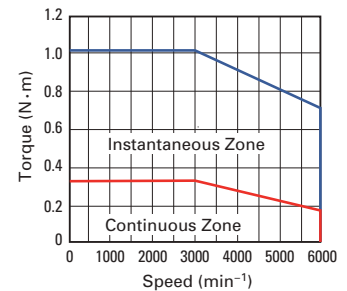


Torque Curve

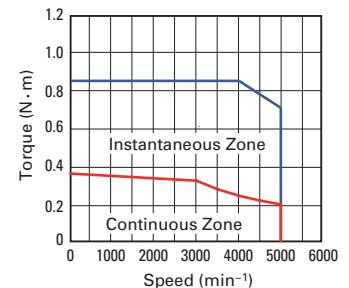
R2AA06010F



R2EA06010F



R2GA06010D



Applicable Amplifier

Power Supply	Motor	Amplifier			
		EtherCAT	Indexer	Modbus	Analog/Pulse
200 VAC	R2AA06010FXP00M(E01) ^{*3}	RS3A01A2HA4 RS2A01A0KA4 RS2A01A2HA5	RS1A01AC	RS1A01AF	RS3A01A0AA4
100 VAC	R2EA06010FXP00M(E01) ^{*3} R2EA06010FCP00M(E01) ^{*3} w/ Brake	RS2E01A0KA4			
48 VDC	R2GA06010DXP00M 1027-107017 ^{*3}	RS2K04A2HA5 RF2K24A0HL5			RF2G21A0A00

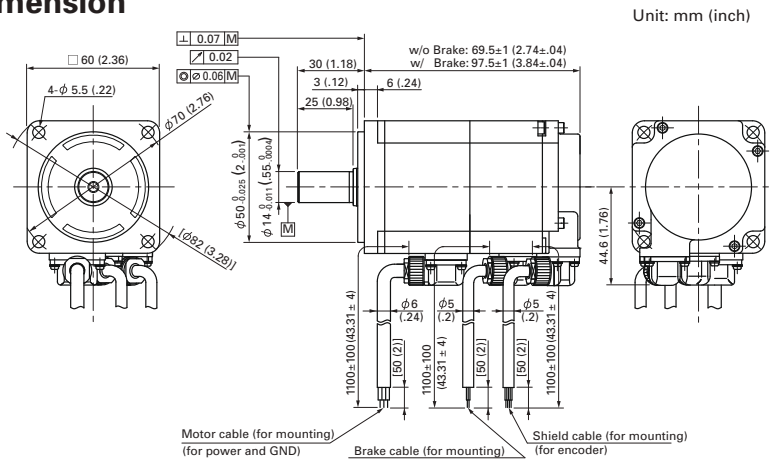
*3 E01 and 1027-: w/ CPC screw lock type connector assembly

**MOTOR
POWER****200 W****MOTOR
FLANGE SIZE****60 mm (2.36 inch)****Specifications**

Power Supply		200 VAC	100 VAC	48 VDC
Model		R2AA06020F	R2EA06020F ^{*2}	R2GA06020D ^{*2}
Rated Power	kW	0.2	0.2	0.2
Maximum Speed	min ⁻¹	6000	6000	4500
Rated Speed	min ⁻¹	3000	3000	3000
Rated Torque	N·m	0.637	0.637	0.637
	lb·in	5.64	5.64	5.64
Peak Torque at Stall	N·m	2.2	2.2	1.5
	lb·in	19.5	19.5	13.3
Rotor Moment of Inertia	x10 ⁻⁴ kg·m ²	0.2223	0.2223	0.219
	lb·in ²	0.0756	0.0756	0.0748
Encoder		17bit serial absolute ^{*1}		
Motor Mass	kg	0.96	0.96	0.96
	lb	2.13	2.13	2.13
Operating Temperature		0 to 40°C (32 to 104°F)		
Humidity		20% to 90% RH, no condensation		

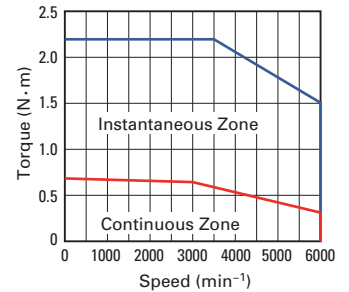
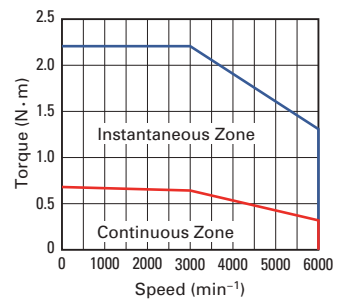
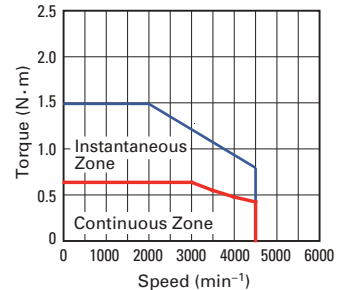
*1 2000 p/r incremental encoder equipped motor is also available for R2AA06020F.

*2 Brake equipped motor is available. Refer to page 67 for brake specifications.

Dimension**Applicable Amplifier**

Power Supply	Motor	Amplifier			
		EtherCAT	Indexer	Modbus	Analog/Pulse
200 VAC	R2AA06020FXP00M(E01) ^{*3}	RS3A02A2HA4			
	R2AA06020FCP00M	RS2A01A0KA4	RS1A01AC	RS1A01AF	RS3A02A0AA4
	1027-107010 ^{*3}	RS2A01A2HA5			
100 VAC	R2EA06020FXP00M(E01) ^{*3}	RS2E03A0KA4			
	R2EA06020FCP00M(E01) ^{*3}				
48 VDC	R2GA06020DXP00M				
	1027-107019 ^{*3}	RS2K04A2HA5			
	R2GA06020DCP00M	RF2K24A0HL5			RF2G21A0A00
	1027-107018 ^{*3}				

*3 E01 and 1027-: w/ CPC screw lock type connector assembly

Torque Curve**R2AA06020F****R2EA06020F****R2GA06020D**

AC SERVO SYSTEMS

MOTOR POWER

400 W

MOTOR FLANGE SIZE

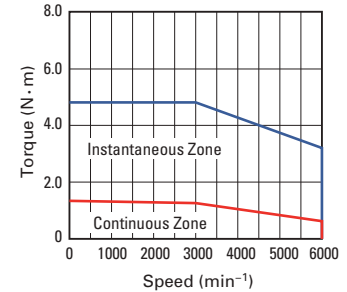
60 mm (2.36 inch)

Specifications



Torque Curve

R2AA06040F

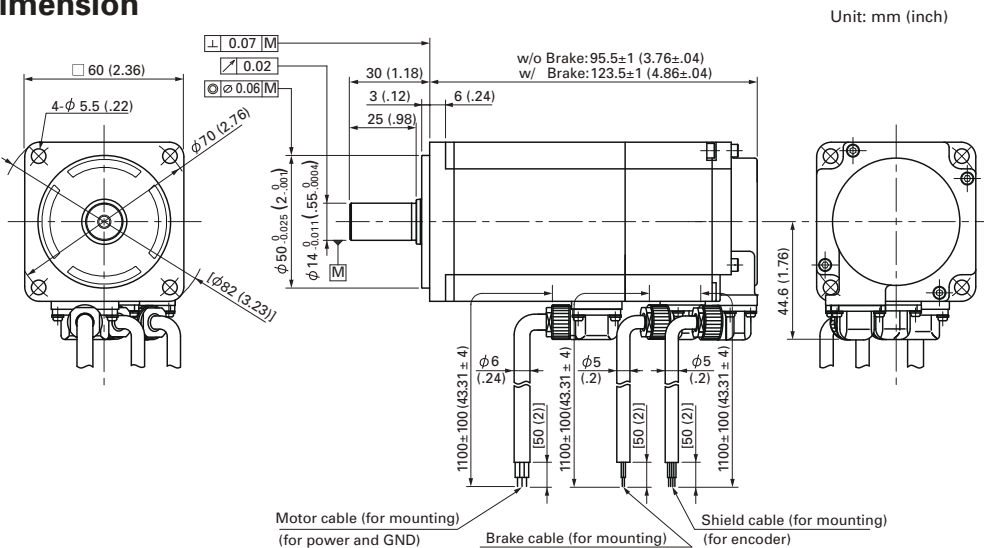


Power Supply	200 VAC	
Model	R2AA06040F	
Rated Power	kW	0.4 (0.36 ^{*2})
Maximum Speed	min ⁻¹	6000
Rated Speed	min ⁻¹	3000
Rated Torque	N·m	1.27 (1.15 ^{*2})
	lb·in	11.2 (10.2 ^{*2})
Peak Torque at Stall	N·m	4.8
	lb·in	42
Rotor Moment of Inertia	x10 ⁻⁴ kg·m ²	0.4153
	lb·in ²	0.142
Encoder	17bit serial absolute ^{*1}	
Motor Mass	kg	1.4
	lb	3.11
Operating Temperature	0 to 40°C (32 to 104°F)	
Humidity	20 to 90% RH, no condensation	

*1 2000 p/r incremental encoder equipped motor is also available.

*2 (): Specification for brake motor. Refer to page 67 for other brake specifications.

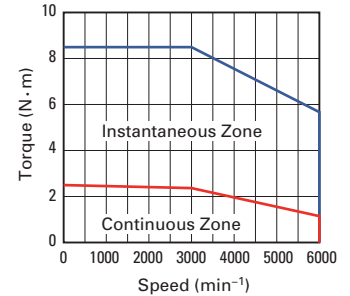
Dimension



Applicable Amplifier

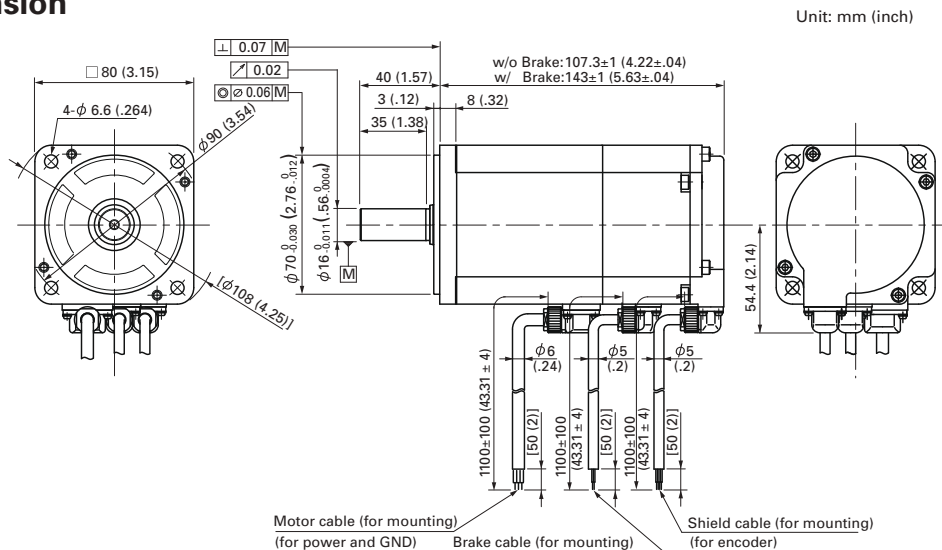
Power Supply	Motor		Amplifier			
			EtherCAT	Indexer	Modbus	Analog/Pulse
200 VAC	R2AA06040FXP00M(E01) ^{*3}		RS3A02A2HA4 RS2A03A0KA4	RS1A03AC	RS1A03AF	RS3A02A0AA4
	R2AA06040FCP00M6(E01) ^{*3}	w/ Brake	RS2A03A2HA5			

*3 E01: w/ CPC screw lock type connector assembly.

**MOTOR
POWER****750W****MOTOR
FLANGE SIZE****80 mm (3.15 inch)****Specifications****Torque Curve**● **R2AA08075F**

Power Supply	200 VAC	
Model	R2AA08075F	
Rated Power	kW	0.75
Maximum Speed	min ⁻¹	6000
Rated Speed	min ⁻¹	3000
Rated Torque	N·m	2.39
	lb·in	21.2
Peak Torque at Stall	N·m	8.5
	lb·in	75
Rotor Moment of Inertia	x10 ⁻⁴ kg·m ²	1.8233
	lb·in ²	0.620
Encoder	17bit serial absolute ^{*1}	
Motor Mass	kg	2.7
	lb	6
Operating Temperature	0 to 40°C (32 to 104°F)	
Humidity	20 to 90% RH, no condensation	

*1 2000 p/r incremental encoder equipped motor is also available.

Dimension**Applicable Amplifier**

Power Supply	Motor	Amplifier			
		EtherCAT	Indexer	Modbus	Analog/Pulse
200 VAC	R2AA08075FXP00M(E01) ^{*3}	RS3A03A2HA4	RS1A03AC	RS1A03AF	RS3A03A0AA4
	R2AA08075FCP00M(E01) ^{*3} w/ Brake	RS2A03A0KA4 RS2A03A2HA5			

*3 E01: w/ CPC screw lock type connector assembly.

AC SERVO SYSTEMS

MOTOR POWER

1 kW

MOTOR FLANGE SIZE

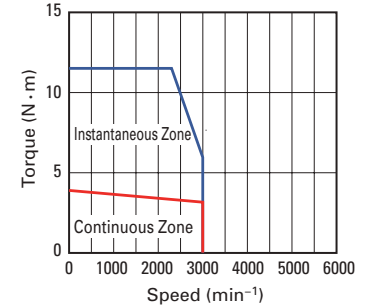
86 mm (3.39 inch)

Specifications



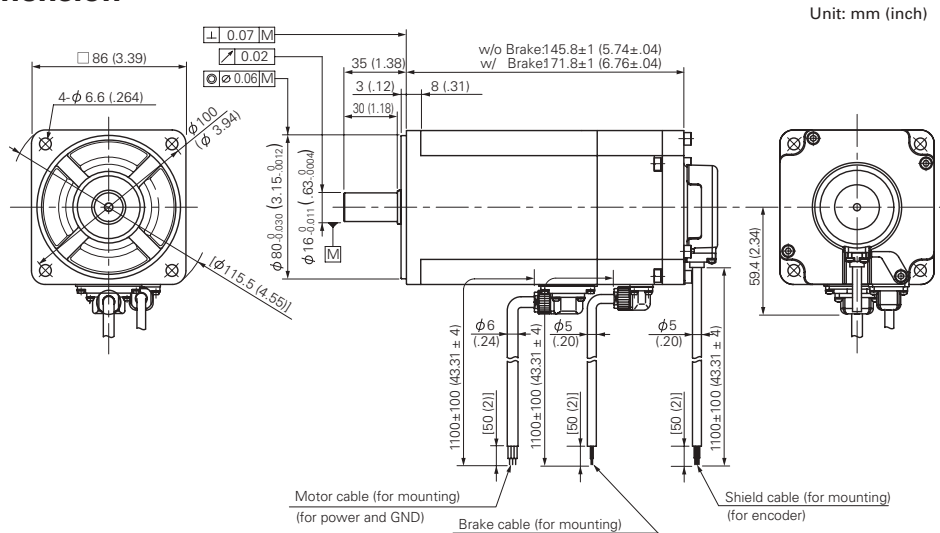
Torque Curve

R2AAB8100H



Power Supply	200 VAC	
Model	R2AAB8100H	
Rated Power	kW	1.0
Maximum Speed	min ⁻¹	3000
Rated Speed	min ⁻¹	3000
Rated Torque	N·m	3.18
	lb·in	28.1
Peak Torque at Stall	N·m	11.6
	lb·in	102.7
Rotor Moment of Inertia	x10 ⁻⁴ kg·m ²	2.38
	lb·in ²	0.813
Encoder	17bit serial absolute	
Motor Mass	kg	3.6
	lb	7.9
Operating Temperature	0 to 40°C (32 to 104°F)	
Humidity	Below 90% RH, no condensation	

Dimension



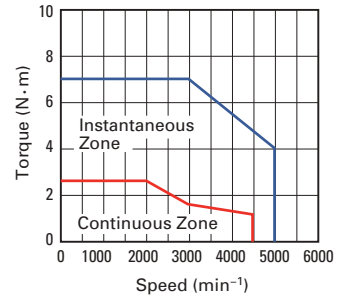
Applicable Amplifier

Power Supply	Motor		Amplifier			
			EtherCAT	Indexer	Modbus	Analog/Pulse
200 VAC	R2AAB8100HXR00M	w/ Brake	RS3A03A2HA4	RS1A03AC	RS1A03AF	RS3A03A0AA4
	1027-107012* ³		RS2A03A0KA4			
	R2AAB8100HCR00M		RS2A03A2HA5			
	1027-107011* ³					

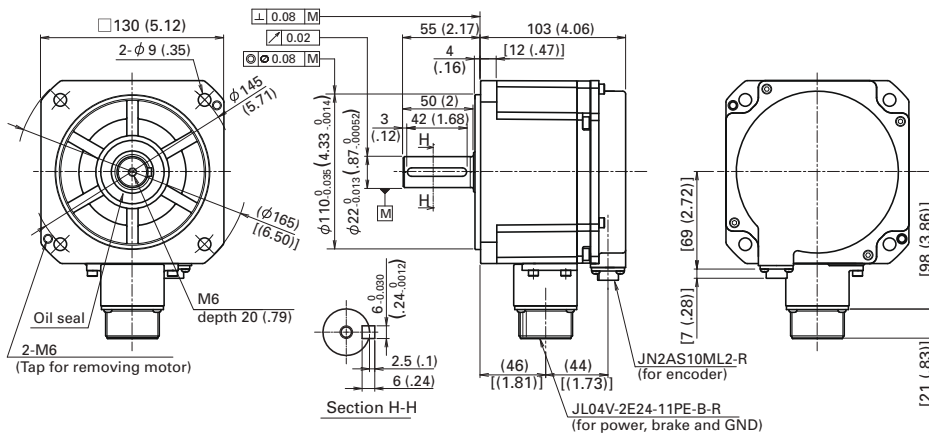
*3 1027-: w/ CPC screw lock type connector assembly

**MOTOR
POWER****0.55 kW****MOTOR
FLANGE SIZE****130 mm (5.12 inch)****Specifications****Torque Curve**

Power Supply	200 VAC	
Model	R2AA13050D	
Rated Power	kW	0.55
Maximum Speed	min ⁻¹	5000
Rated Speed	min ⁻¹	2000
Rated Torque	N·m	2.6
	lb·in	23
Peak Torque at Stall	N·m	7
	lb·in	62
Rotor Moment of Inertia	x10 ⁻⁴ kg·m ²	3.1
	lb·in ²	1.05
Encoder	17bit serial absolute	
Motor Mass	kg	5
	lb	11
Operating Temperature	0 to 40°C (32 to 104°F)	
Humidity	20 to 90% RH, no condensation	

R2AA13050D**Dimension**

Unit: mm (inch)

**Applicable Amplifier**

Power Supply	Motor	Amplifier			
		EtherCAT	Indexer	Modbus	Analog/Pulse
200 VAC	R2AA13050DXP00M	RS3A03A2HA4	RS1A03AC		RS3A03A0AA4
		RS2A03A0KA4			
		RS2A03A2HA5			

AC SERVO SYSTEMS

**MOTOR
POWER**

1.2 kW

**MOTOR
FLANGE SIZE**

130 mm (5.12 inch)

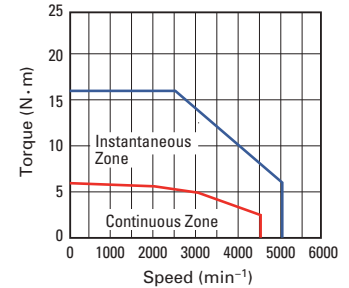
Specifications

Power Supply	200 VAC	
Model	R2AA13120D	
Rated Power	kW	1.2
Maximum Speed	min ⁻¹	5000
Rated Speed	min ⁻¹	2000
Rated Torque	N·m	5.7
	lb·in	50
Peak Torque at Stall	N·m	16
	lb·in	142
Rotor Moment of Inertia	x10 ⁻⁴ kg·m ²	6
	lb·in ²	2.04
Encoder	17bit serial absolute	
Motor Mass	kg	7
	lb	16
Operating Temperature	0 to 40°C (32 to 104°F)	
Humidity	20 to 90% RH, no condensation	



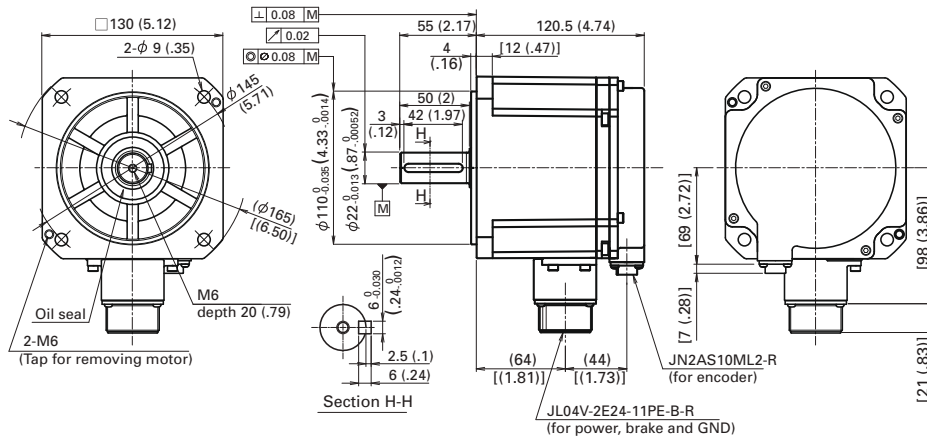
Torque Curve

R2AA13120D



Dimension

Unit: mm (inch)

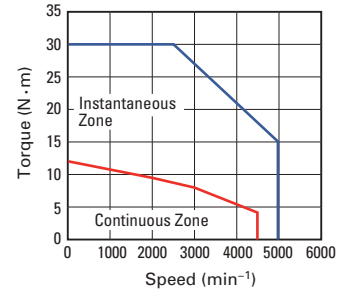


Applicable Amplifier

Power Supply	Motor	Amplifier			
		EtherCAT	Indexer	Modbus	Analog/Pulse
200 VAC	R2AA13120DXP00M	RS3A05A2HA4 RS2A05A0KA4 RS2A05A2HA5	RS1A05AC		RS3A05A0AA4

**MOTOR
POWER****2 kW****MOTOR
FLANGE SIZE****130 mm (5.12 inch)****Specifications****Torque Curve**

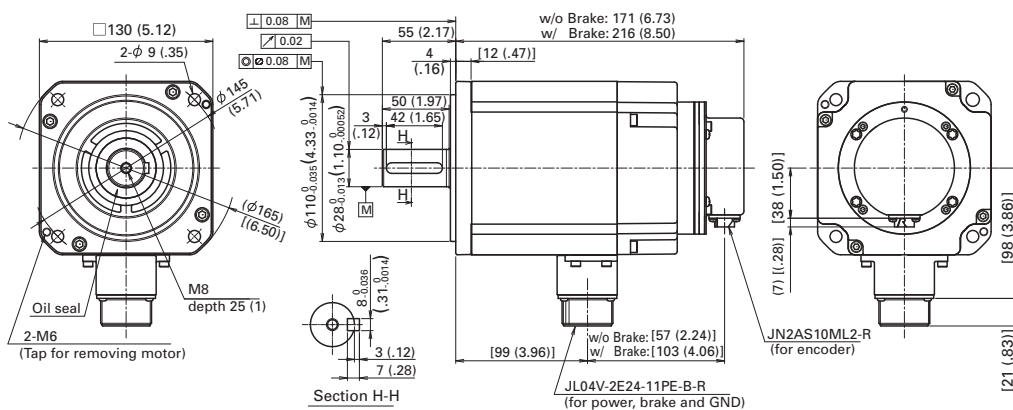
Power Supply	200 VAC	
Model	R2AA13200D*2	
Rated Power	kW	2
Maximum Speed	min ⁻¹	5000
Rated Speed	min ⁻¹	2000
Rated Torque	N·m	9.5
	lb·in	84
Peak Torque at Stall	N·m	30
	lb·in	265
Rotor Moment of Inertia	x10 ⁻⁴ kg·m ²	12.2
	lb·in ²	4.15
Encoder	17bit serial absolute	
Motor Mass	kg	10
	lb	22
Operating Temperature	0 to 40°C (32 to 104°F)	
Humidity	20 to 90% RH, no condensation	

R2AA13200D

*2 Brake equipped motor is available. Refer to page 67 for brake specifications.

Dimension

Unit: mm (inch)

**Applicable Amplifier**

Power Supply	Motor		Amplifier			
			EtherCAT	Indexer	Modbus	Analog/Pulse
200 VAC	R2AA13200DXP00M	w/ Brake	RS3A10A2HA4	RS1A10AC		RS3A10A0AA4
	R2AA13200DCP00M		RS2A10A0KA4			
			RS2A10A2HA5			

AC SERVO SYSTEMS

MOTOR POWER

5 kW

MOTOR FLANGE SIZE

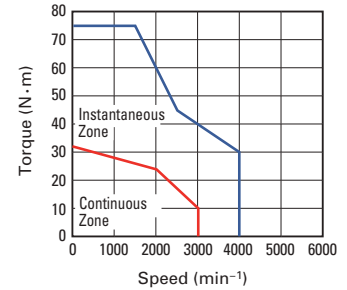
220 mm (8.66 inch)

Specifications



Torque Curve

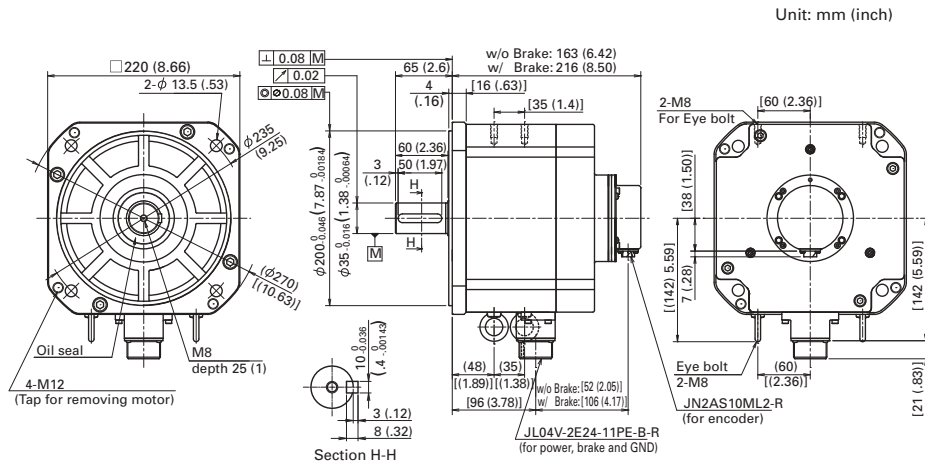
R2AA22500L



Power Supply	200 VAC	
Model	R2AA22500L*2	
Rated Power	kW	5
Maximum Speed	min ⁻¹	4000
Rated Speed	min ⁻¹	2000
Rated Torque	N·m	24
	lb·in	212
Peak Torque at Stall	N·m	75
	lb·in	664
Rotor Moment of Inertia	x10 ⁻⁴ kg·m ²	55
	lb·in ²	18.7
Encoder	17bit serial absolute	
Motor Mass	kg	24
	lb	53
Operating Temperature	0 to 40°C (32 to 104°F)	
Humidity	20 to 90% RH, no condensation	

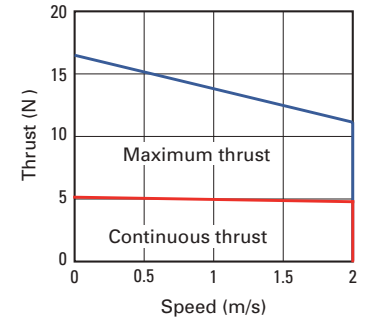
*2 Brake equipped motor is available. Refer to page 67 for brake specifications.

Dimension



Applicable Amplifier

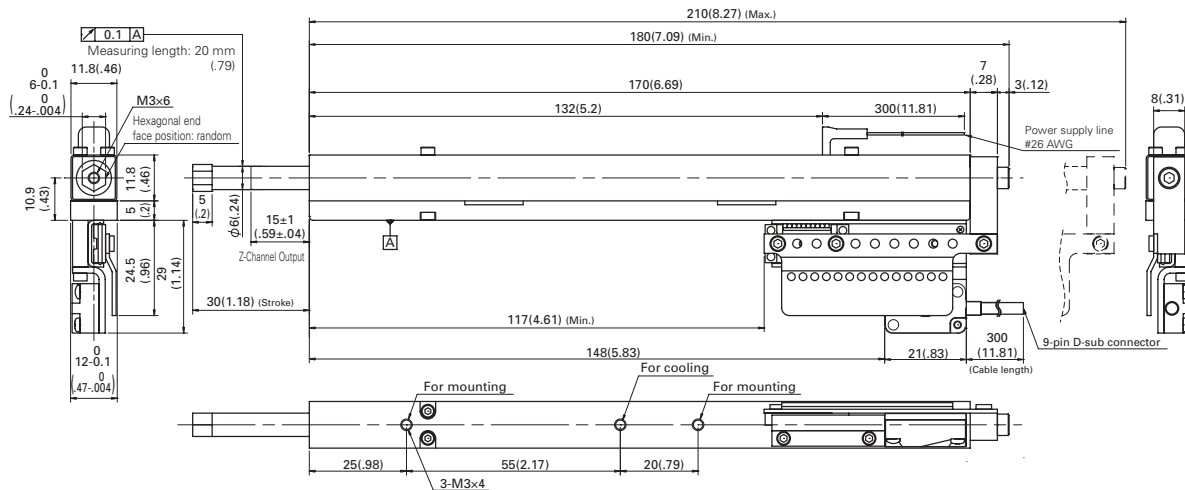
Power Supply	Motor		Amplifier			
			EtherCAT	Indexer	Modbus	Analog/Pulse
200 VAC	R2AA22500LXP00M		RS3A15A2HA4	RS1A15AC		RS3A15A0AA4
	R2AA22500LCP00M	w/ Brake	RS2A15A0KA4 RS2A15A2HA5			

MOTOR THRUST**5.1 N****MOTOR WIDTH****12 mm (0.46 inch)****Specifications****Thrust Curve**● **DE0AC001A03MX00**

Power Supply	48VDC	
Model	DE0AC001A03MX00	
Rated Thrust	N	5.1
	lb	1.15
Peak Thrust	N	16.5
	lb	3.71
Maximum Speed	m/s	2.0
Rated Speed	m/s	1.0
Encoder	Optical Incremental Encoder	
Linear Encoder Resolution (quadratured)	μm	1
Motor Mass	g	185
	lb	0.408
Operating Temperature	0 to 40°C (32 to 104 °F)	
Humidity	20 to 80% RH, no condensation	

Dimension

Unit: mm (inch)

**Applicable Amplifier**

Power Supply	Motor	Amplifier			
		EtherCAT	Indexer	Modbus	Analog/Pulse
48 VDC	DE0AC001A03MX00 1028-107023*3	RF2J24A8HL5			

*3 1028-: w/ CPC screw lock type connector assembly.

3E Model Analog/Pulse Input Type Servo Amplifier



Control function	Position control/Speed control/Torque control (Parameter switching)	
Main circuit power ^(Note 1)	3-Phase: 200 to 240 VAC +10, -15%, 50/60 Hz±3 Hz Single-phase: 200 to 240 VAC +10, -15%, 50/60 Hz±3 Hz ^(Note 2)	
Control power	Single-phase: 200 to 240 VAC +10, -15%, 50/60 Hz±3 Hz	
Environment	Ambient temperature	0 to +55°C
	Storage temperature	-20 to +65°C
	Operation/Storage humidity	Below 90% RH (no condensation)
	Elevation	Below 1000 m
	Vibration	4.9 m/s ²
	Shock	19.6 m/s ²
Structure	Built-in tray type power supply	

Note 1) Always use input voltage within the specification range for the main circuit power supply.

Note 2) AC200V-single-phase input type corresponds only to RS3A01A0AA4/RS3A02A0AA4/RS3A03A0AA4/RS3A05A0AA4.

Performance

Speed control range	1:5000 (Internal speed command)
Frequency characteristics	2200 Hz (In high frequency sampling mode) *Differs for each model.
Allowable load inertia moment	10 times motor rotor inertia moment

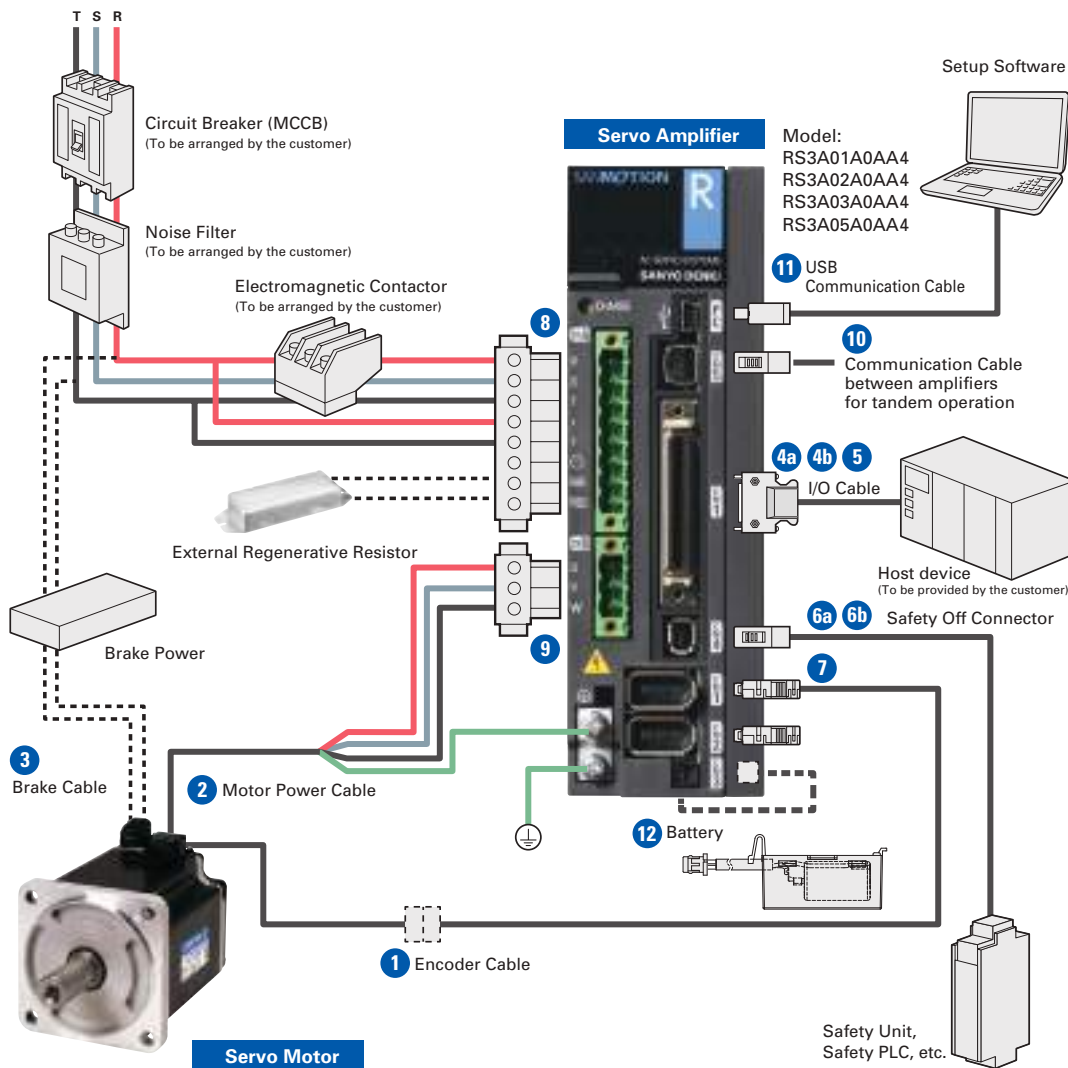
Built-in Functions

Protection functions	Overcurrent, Current detection error, Overload, Regeneration error, Overheating, External error, Overvoltage, Main circuit power supply under voltage, Main circuit power supply open phase, Control circuit power supply under voltage, Encoder error, Overspeed Speed control error, Speed feedback error, Excessive position deviation, Position command pulse error, Built-in memory error, Parameter error, Cooling fan error
Digital operator	Status display, Monitor display, Alarm display, Parameter setting, Test run, Adjustment mode
Dynamic brake circuit	Built-in
Regenerative resistor	Built-in
Monitor	Speed monitor (VMON) 2.0V±10% (at 1000 min ⁻¹) Torque (thrust force) command monitor (TCMON) 2.0 V±10% (at 100%)

Input/Output Signals

Position command	Maximum input pulse frequency	4M pulse/s (Reverse + Forward pulse, Code +pulse) 1M pulse/s (90°-phase difference two-phase pulse)
		Forward + Reverse command pulse, Code + Pulse train command or 90°-phase difference two-phase pulse train command N/D(N=1 to 2097152, D=1 to 2097152), 1/2097152 ≤ N/D ≤ 2097152
Speed command	Command voltage	DC±2.0V at 1000min ⁻¹ command. Positive command (forward) motor rotation, maximum input voltage ±10V.
	Input impedance	Approximately 10kΩ
Torque command	Command voltage	DC±2.0V at 1000min ⁻¹ command. Positive command (forward) motor rotation, maximum input voltage ±10V.
	Input impedance	Approximately 10kΩ
General input	Sequence input	Interactive photo coupler (sink, source connection): ×8 input
		Input power voltage range: DC5V±5% / DC12V~DC24V±10%, 100mA or over(DC24V) Servo ON, Alarm reset, Torque limit, Encoder clear, Forward rotation prohibit, Command prohibit, Reverse rotation prohibit, Command prohibit, External trip, Forced discharge, Emergency stop, Gain switching, Internal speed setting, etc.
Torque limit input		±2.0VDC±15% (at rated torque), Input impedance: approximately 10kΩ
General output	Sequence output	Open collector output: × 8 outputs
		Power supply for general output circuit (CN1-49,OUT-PWR): DC5V±5% / DC12V to DC24V±10%, 20mA or over
		Specification of Power supply for general output circuit <ul style="list-style-type: none"> • DC5V±5% , Maximum current value 10mA (per 1 output) • DC12V~DC15V±10% , Maximum current value 30mA (per 1 output) • DC24V±10% , Maximum current value 50mA (per 1 output)
		Servo ready, Power ON, Servo ON, Holding brake timing, Torque limiting, Low speed, Velocity attainment, Matching speed, Zero speed, Command acceptable, Status of gain switch, Velocity loop proportional control status, Control mode switchover status, Forward OT, Reverse OT, Reverse OT, Warning, Alarm code (3bits), etc.
Position signal output	Encoder output pulse signal	N/32768(N=1~32767), 1/N(N=1~64) or 2/N(N=2~64)
	Encoder output serial signal	Binary code output, decimal ASCII output

System Configuration: 10A, 20A, 30A, 50A

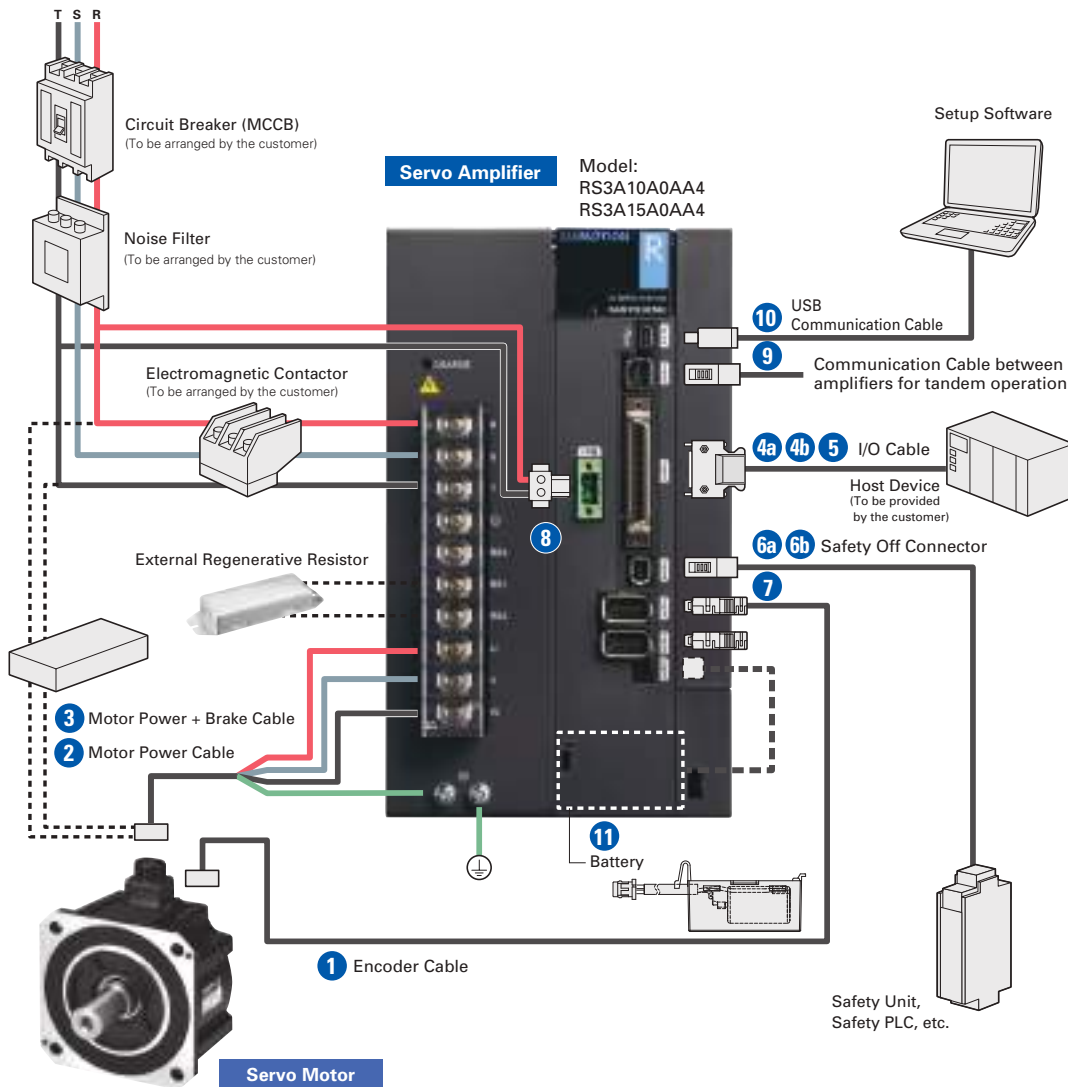


Item	Parts Number	Description
✓ 1	Encoder Cable: 10 ft EEXTKABS2410FT EEXTKABS24JN10FT	For 0.55 kW and 1.2 kW motor
✓ 2	Motor Power Cable: 10 ft MEXTK1810FT MEXTK18JN10FT MEXTK14JN10FT	For 0.55 kW motor For 1.2 kW motor
✓ 3	Brake Cable: 10 ft MEXTBRK2010FT	Only for brake equipped motor
✓ 4a	I/O Cable: 2 m QH0-CJ0201-S01	Both sides 50 pin connectors
4b	Terminal Block QH0-TB001-S01	Used with I/O Cable (4a)
✓ 5	I/O Cable: 2 m QH0-CJ0203-S01	One side 50 pin connector, one side flying leads
✓ 6a	Connector [CN4] AL-00718252-01	For STO, no need if (6b) is selected
✓ 6b	Connector [CN4] AL-00718251-01	For STO cancellation, no need if 6a is selected
7	Connector [EN1, EN2] AL-00632607	No need if Encoder Cable (1) is selected
8	Connector [CNA] AL-00686902-01	Supplied with Amplifier
9	Connector [CNB] AL-Y0004079-01	No need if Motor Power Cable (2) is selected
10	Communication Cable: 1m AL-00911582-01	For tandem operation
✓ 11	USB Communication Cable: 1m AL-00896515-01	Communication with SANMOTION MOTOR Setup software
12	Battery [CN3] AL-00880402-01	Used when using a battery -backup method absolute encoder

To build a complete system, you need to have checked items.

Note: I/O cable can be chosen either 4a or 5. Connector for CN4 can be chosen either 6a or 6b.

System Configuration: 100A, 150A

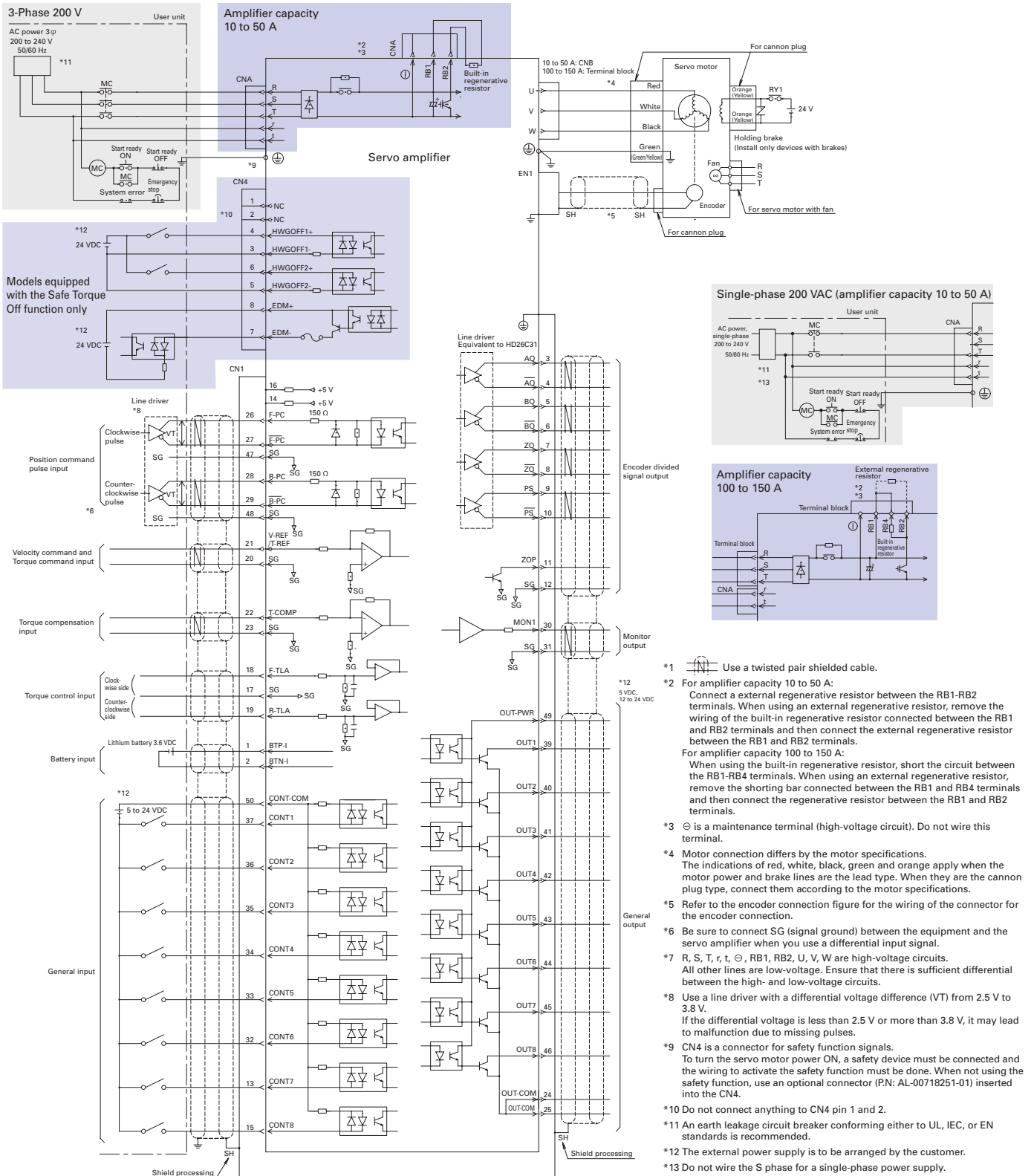


Item	Parts Number	Description
✓ 1	EEXTKABS24JN10FT	Encoder Cable: 10 ft
✓ 2	MEXT10JN10FT MEXT08JN10FT	Motor Power Cable: 10 ft For 2 kW motor For 5 kW motor
✓ 3	MEXTB10JN10FT MEXTB08JN10FT	Motor Power + Brake Cable: 10 ft For brake equipped 2 kW motor For brake equipped 5 kW motor
✓ 4a	QH0-CJ0201-S01	I/O Cable: 2 m Both sides 50 pin connectors, no need if (5) is selected
✓ 4b	QH0-TB001-S01	Terminal Block Used with I/O Cable (4a)
✓ 5	QH0-CJ0203-S01	I/O Cable: 2 m One side 50 pin connector, one side flying leads
✓ 6a	AL-00718252-01	Connector [CN4] For STO
✓ 6b	AL-00718251-01	Connector [CN4] For STO cancellation
✓ 7	AL-00632607	Connector [EN1, EN2] No need if Encoder Cable (1) is selected
✓ 8	AL-Y0005159-01	Connector [CNA]
✓ 9	AL-00911582-01	Communication Cable: 1m For tandem operation
✓ 10	AL-00896515-01	USB Communication Cable: 1m Communication with SANMOTION MOTOR Setup software
✓ 11	AL-00880402-01	Battery [CN3] Used when using a battery -backup method absolute encoder

To build a complete system, you need to have checked items.

Note: I/O cable can be chosen either 4a or 5. Connector for CN4 can be chosen either 6a or 6b.

Wiring Diagram

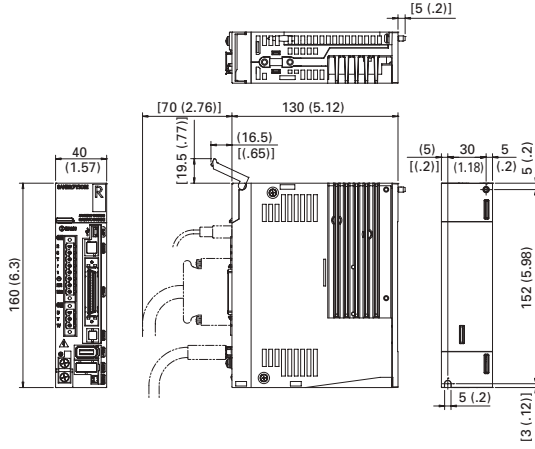


Dimensions

■ RS3A01A0AA4

Mass: 0.8 kg (1.76 lb)

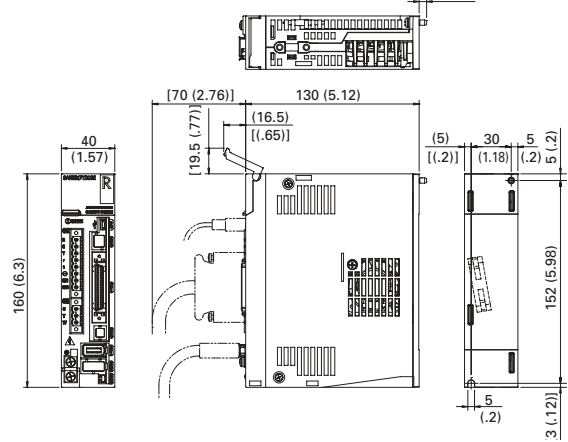
Unit: mm (inch)



■ RS3A02A0AA4

Mass: 0.8 kg (1.76 lb)

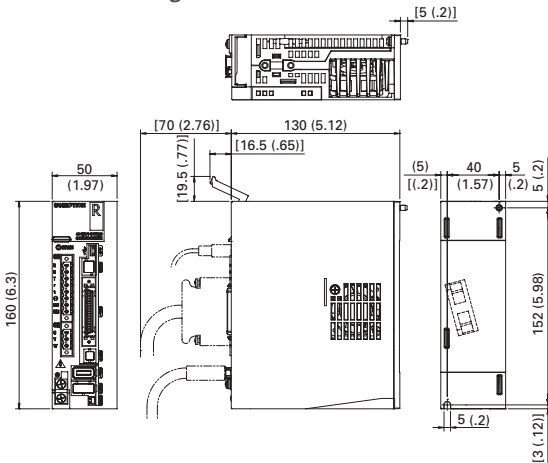
Unit: mm (inch)



■ RS3A03A0AA4

Mass: 0.9 kg (1.98 lb)

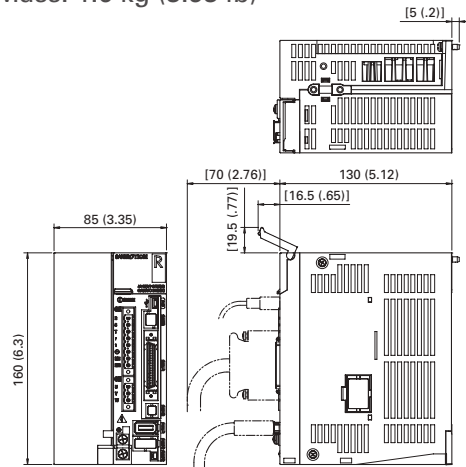
Unit: mm (inch)



■ RS3A05A0AA4

Mass: 1.6 kg (3.53 lb)

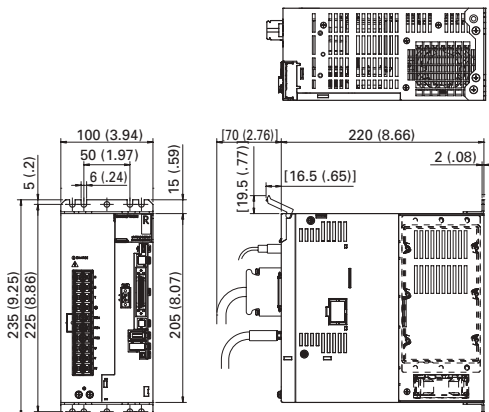
Unit: mm (inch)



■ RS3A10A0AA4

Mass: 4.2 kg (9.26 lb)

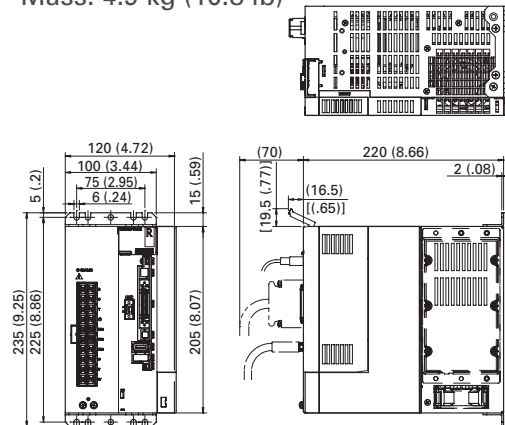
Unit: mm (inch)



■ RS3A15A0AA4

Mass: 4.9 kg (10.8 lb)

Unit: mm (inch)



Indexer Type Servo Amplifier



Control function	Position control	
Main circuit power ^(Note 1)	Three-phase: 200 to 230 VAC +10, -15%, 50/60 Hz ± 3Hz Single-phase: 200 to 230 VAC +10, -15%, 50/60 Hz ± 3Hz ^(Note 2)	
Control circuit power	Single-phase: 200 to 230 VAC +10, -15%, 50/60 Hz ± 3Hz	
Environment	Ambient temperature	0 to +55°C
	Storage temperature	-20 to +65°C
	Operation/Storage humidity	Below 90% RH (no condensation)
	Elevation	Below 1000 m
	Vibration	4.9 m/s ² Frequency range 10 to 55 Hz tested for 2 hours in each direction X.Y.Z
Shock	19.6 m/s ²	
Structure	Built-in tray type power supply	

Note 1) Power source voltage should be within the specified range

200 VAC Power input type: Specified power supply range = 170 to 253 VAC

Note 2) The 200 VAC single-phase input types corresponds only to the RS1A01AC, RS1A03AC, RS1A05AC

Performance

Speed control range	1:5000 (Internal speed command)
Frequency characteristics	600 Hz

Built-in Functions

Protection functions	Over current, Current detection error, Overload, Regeneration error, Amplifier overheating, External overheating, Over voltage, Main circuit low voltage, Main circuit open phase, Control power supply error, Encoder error, Over speed, Speed control error, Speed feedback error, Excessive position error, Position command pulse error, CPU error, Built-in memory error, Battery error, Parameter error
LED display	Status display, Monitor display, Alarm display, Parameter setting, Adjustment mode
Dynamic brake circuit	Built-in
Regeneration process	Built-in
Monitor	Speed monitor (VMON) 2.0V±10% (at 1000 min ⁻¹) Torque monitor (TCMON) 2.0V±10% (at 100%)

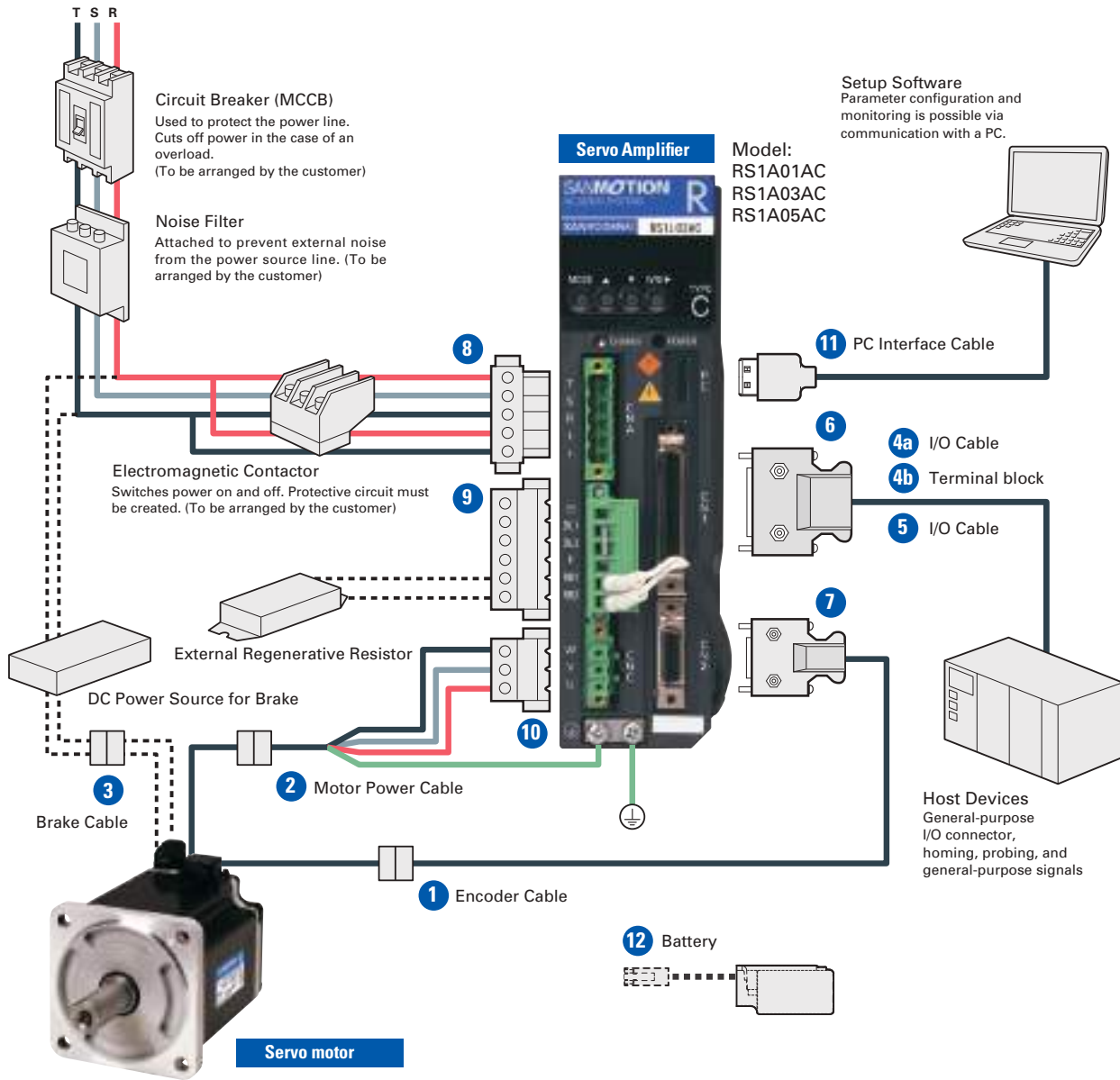
Positioning Function

Number of control axis	1 pc
Number of registration points	It is possible to set it up to 254 points (P000 to P253)
Maximum command amounts	-2,147,483,648 to +2,147,483,647
Command unit	mm or pulse
Fast-forwarding speed	2,147,483.647 mm/sec (0.001 mm/pulse selection)
Addition & Reduction speed	Automatic addition & Reduction speed (Straight line/S curve shift)
Point data setting	Setting by numeric value input with PC or teaching
Traveling point number setting	Parallel 8 bit (Binary code)
Current limitation	0 to 510% (Rating = 100%), however, less than instant maximum stall current
Software limitation	Yes
Traveling mode	Zero-point return, Analog (JOG, 1 Step), Specified point traveling
Area signal	8 zones in maximum

Input/Output Signals

Sequence input signal	Servo ON, Alarm rest, Start-up, Zero-return, Analog, Override/analog high-speed, Cancellation, Speed reduction short of zero-point, External defect, Over-travel, External data setting, 1 step travel, Interrupt start-up, Output selection, MFIN, Point specification input
Sequence output signal	NC-ready, Holding brake timing, Error, Effective external operation, On operation, Positioning completion, In-position output, Zero-return completion, Multiple purpose output (8 bits)

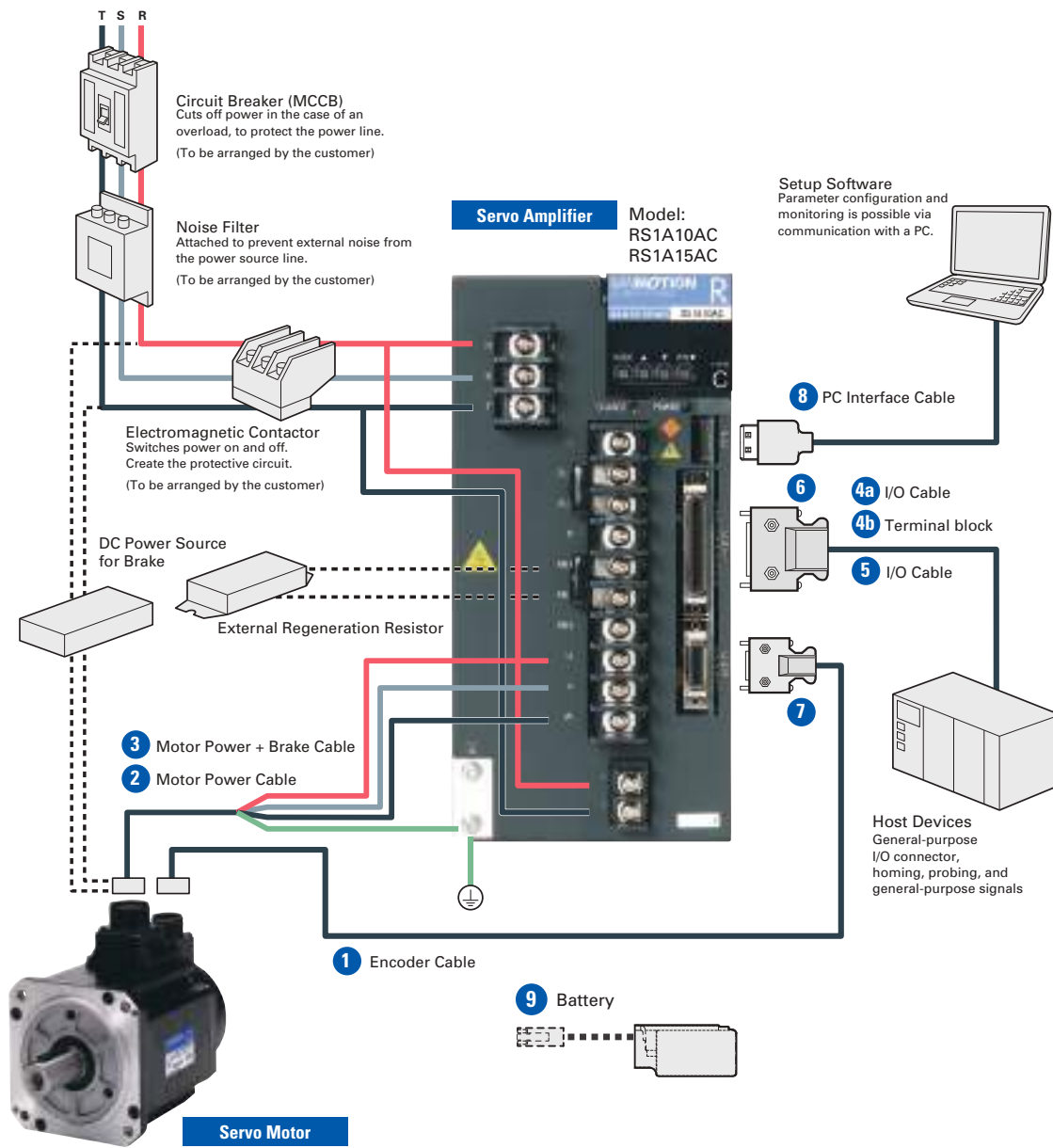
System Configuration: 15A, 30A, 50A



Item	Parts Number	Description
✓ 1	Encoder Cable: 10 ft EEXTABS2410FT	
✓ 2	Motor Power Cable: 10 ft MEXT1810FT	
3	Brake Cable: 10 ft MEXTBRK2010FT	Only for Brake Equipped Motor
✓ 4a	I/O Cable: 2 m QH0-CJ0201-S01	Both sides 50 pin connectors
4b	Terminal block QH0-TB001-S01	Used with I/O Cable (4a)
✓ 5	I/O Cable: 2 m QH0-CJ0203-S01	One side 50 pin connector, one side flying leads
6	Connector [CN1] AL-00385594	No need if I/O cable (4a or 5) is selected
7	Connector [CN2] AL-00385596	No need if Encoder Cable (1) is selected
✓ 8	Connector [CNA] AL-00329461-01	
9	Connector [CNB] AL-Y0000988-01	Supplied with Amplifier
10	Connector [CNC] AL-00329458-01	No need if Motor Power Cable (2) is selected
11	PC Interface Cable AL-00490833-01	Communication with SANMOTION R Setup Software
12	Battery AL-00494635-01	

To build a complete system, you need to have checked items.
Note: I/O Cable can be chosen either 4a or 5.

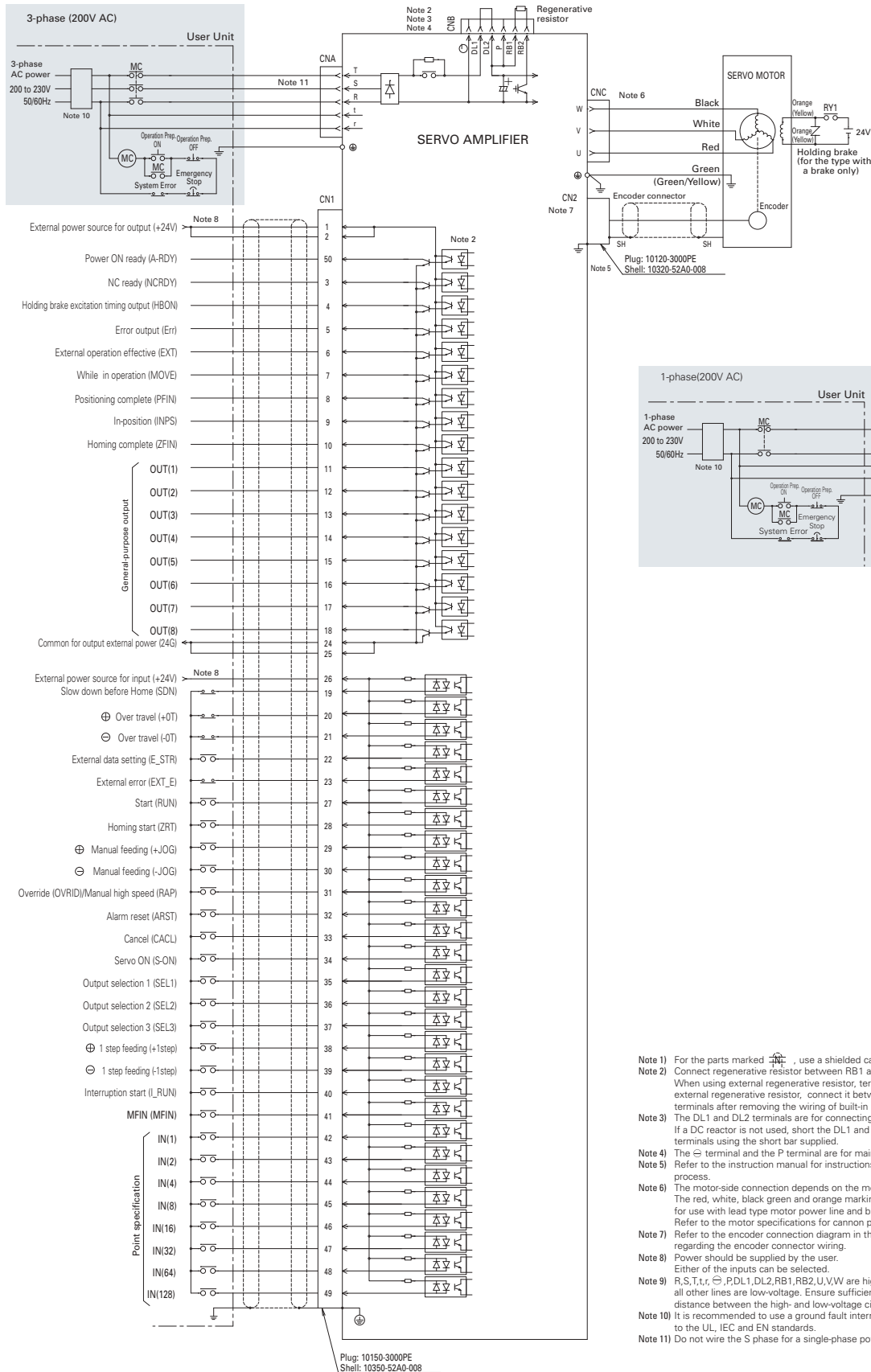
System Configuration: 100A, 150A



Item	Parts Number	Description
✓ 1	EEXTABS24JN10FT	Encoder Cable: 10 ft
✓ 2	MEXT18JN10FT	Motor Power Cable: 10 ft for 0.55 kW
	MEXT12JN10FT	Motor Power Cable: 10 ft for 1.2 kW
	MEXT10JN10FT	Motor Power Cable: 10 ft for 2 kW, 5 kW
3	MEXTB10JN10FT	Motor Power + Brake Cable: 10 ft Only for Brake Equipped Motor
✓ 4a	QH0-CJ0201-S01	I/O Cable: 2 m Both sides 50 pin connectors
4b	QH0-TB001-S01	Terminal block Used with I/O Cable (4a)
✓ 5	QH0-CJ0203-S01	I/O Cable: 2 m One side 50 pin connector, one side flying leads
6	AL-00385594	Connector [CN1] No need if I/O cable (4a or 5) is selected
7	AL-00385596	Connector [CN2] No need if Encoder Cable (1) is selected
8	AL-00490833-01	PC Interface Cable Communication with SANMOTION R Setup Software
9	AL-00494635-01	Battery

To build a complete system, you need to have checked items.
Note: I/O Cable can be chosen either 4a or 5.

Wiring Diagram

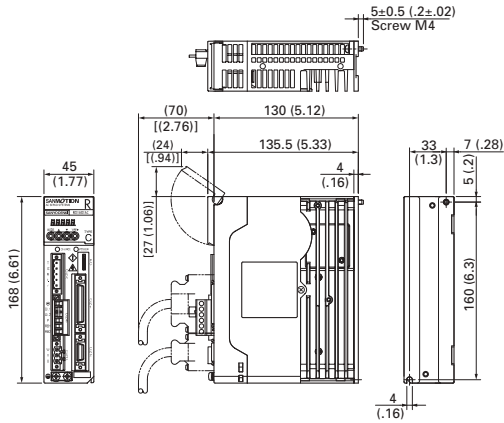


Dimensions

RS1A01AC

Mass: 0.9 kg (2.0 lb)

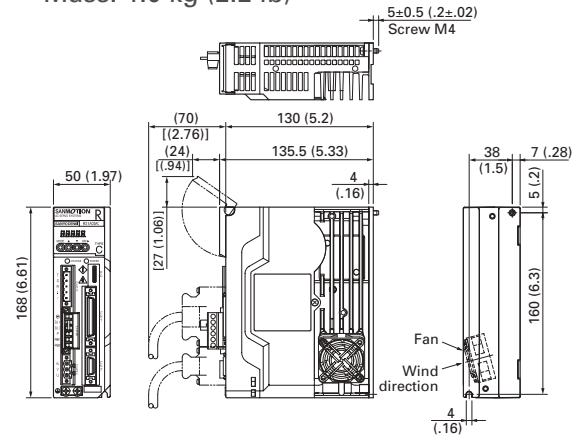
Unit: mm (inch)



RS1A03AC

Mass: 1.0 kg (2.2 lb)

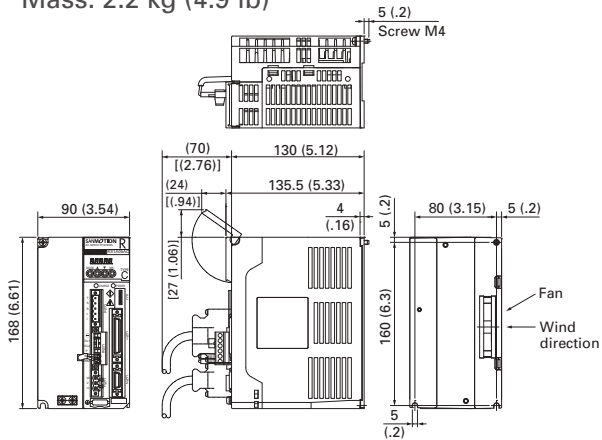
Unit: mm (inch)



RS1A05AC

Mass: 2.2 kg (4.9 lb)

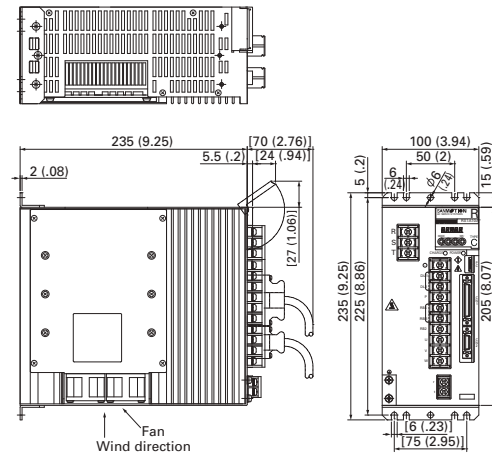
Unit: mm (inch)



RS1A10AC

Mass: 5.2 kg (11.5 lb)

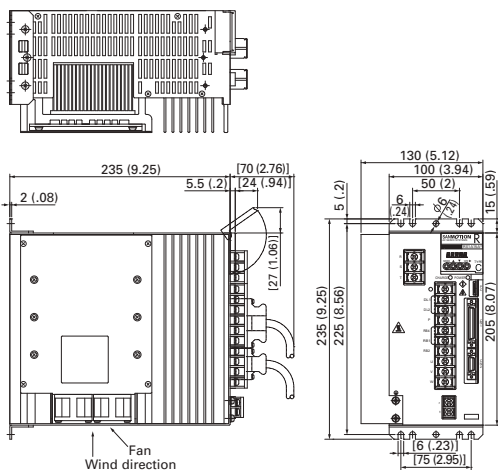
Unit: mm (inch)



RS1A15AC

Mass: 6.5 kg (14.3 lb)

Unit: mm (inch)



Specifications

Control function	Position control	
Main circuit power ^(Note 1)	Three-phase: 200 to 230 VAC +10, -15%, 50/60 Hz ± 3Hz Single-phase: 200 to 230 VAC +10, -15%, 50/60 Hz ± 3Hz ^(Note 2)	
Control circuit power	Single-phase: 200 to 230 VAC +10, -15%, 50/60 Hz ± 3Hz	
Environment	Ambient temperature	0 to +55°C
	Storage temperature	-20 to +65°C
	Operation/Storage humidity	Below 90% RH (no condensation)
	Elevation	Below 1000 m
	Vibration	4.9 m/s ² Frequency range 10 to 55 Hz tested for 2 hours in each direction X.Y.Z
Shock	19.6 m/s ²	
Structure	Built-in tray type power supply	

Note 1) Power source voltage should be within the specified range. 200 VAC Power input type: Specified power supply range = 170 to 253 VAC

Note 2) The 200 VAC single-phase input types corresponds only to the RS1A01AF, RS1A03AF

Performance

Speed control range	1:5000 (Internal speed command)
Frequency characteristics	600 Hz

Built-in Functions

Protection functions	Over current, Current detection error, Overload, Regeneration error, Amplifier overheating, External overheating, Over voltage, Main circuit low voltage, Main circuit open-phase, Control power supply error, Encoder error, Over speed, Speed control error, Speed feedback error, Excessive position error, Position command pulse error, CPU error, Built-in memory error, Battery error, Parameter error
LED display	Status display, Monitor display, Alarm display, Parameter setting, Adjustment mode
Dynamic brake circuit	Built-in
Regeneration process	Built-in
Monitor	Speed monitor (VMON) 2.0V±10% (at 1000 min ⁻¹) Torque monitor (TCMON) 2.0V±10% (at 100%)

Positioning Function

Number of control axis	1 pc
Number of registration points	It is possible to set it up to 254 points (P000 to P253)
Maximum command amounts	-2,147,483,648 to +2,147,483,647
Command unit	mm or pulse
Fast-forwarding speed	2,147,483.647 mm/sec (0.001 mm/pulse selection)
Addition & Reduction speed	Automatic addition & Reduction speed (Straight line/S curve shift)
Point data setting	Setting by numeric value input with PC or teaching
Traveling point number setting	Parallel 8 bit (Binary code)
Current limitation	0 to 510% (Rating = 100%), however, less than instant maximum stall current
Software limitation	Yes
Traveling mode	Zero-point return, analog (JOG, 1 Step), Specified point traveling
Area signal	8 zones in maximum

Modbus Interface

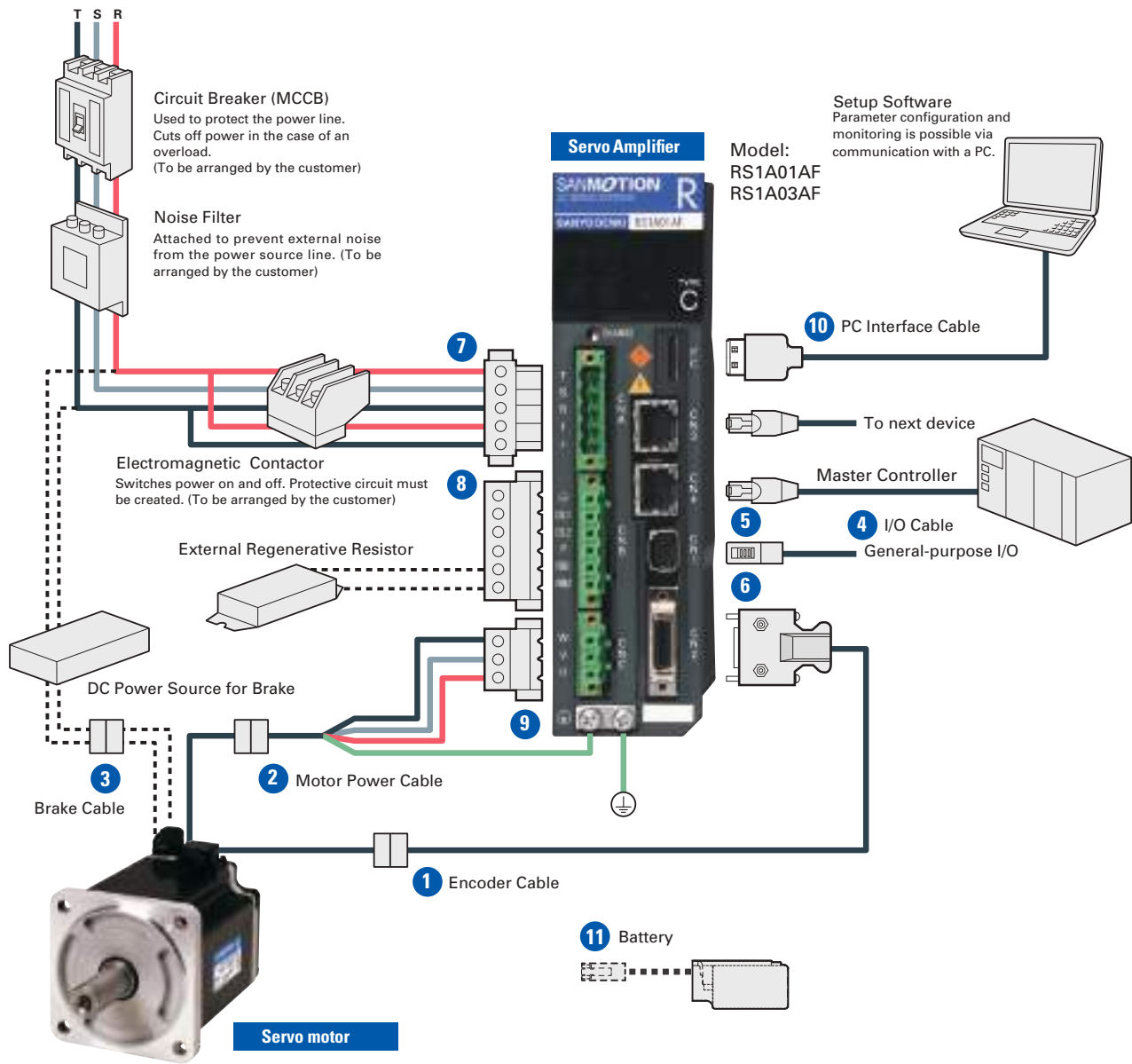
Item	Content	Default Value	Remark
Protocol	Modbus-RTU	-	Binary mode fixed (No compliant with ASCII mode)
Interface	RS-485 (1:N)	-	N=8 ^(Note 1)
Baud rate (bps)	4800, 9600, 19200, 38400, 57600, 115200	115200	^(Note 2)
Start bit	1	1	Fixed
Data length (bit)	8	8	Fixed
Parity	None, even/odd number	even	^(Note 3)
Stop bit	1, 2	1	^(Note 3)
Electric specification	Based on RS-485 (half duplex communication)	RS-485 compliant (half duplex communication)	Fixed
Connector	RJ-45	-	-

Note 1) From the limitation of general RS-485 physical layer (distance, terminator) specification, connectable amplifier (or other slave units) number is up to 31 per one segment. (Maximum number of devices without repeater.) Set up a node address with the rotary switch front of amplifier or in the R-Setup (personal computer interface) software.

Note 2) Set up a communication setup (access speed) with the rotary switch on the front surface of amplifier or in R-Setup (personal computer interface).

Note 3) Communication setup (transfer speed, and stop bit) is set up by the R-Setup software (interface with PC).

System Configuration

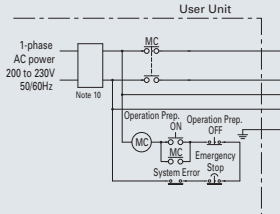


Item	Parts Number	Description	
✓ 1	Encoder Cable: 10 ft	EEXTABS2410FT	
✓ 2	Motor Power Cable: 10 ft	MEXT1810FT	
3	Brake Cable: 10 ft	MEXTBRK2010FT	Only for Brake Equipped Motor
✓ 4	I/O Cable: 3 ft	1026-100410	
5	Connector [CN1]	AL-Y0004290	No need if I/O Cable (4) is selected
6	Connector [CN2]	AL-00385596	No need if Encoder Cable (1) is selected
✓ 7	Connector [CNA]	AL-00329461-01	
8	Connector [CNB]	AL-Y0000988-01	Supplied with Amplifier
9	Connector [CNC]	AL-00329458-01	No need if Motor Power Cable (2) is selected
10	PC Interface Cable	AL-00490833-01	Communication with SANMOTION R Setup Software
11	Battery	AL-00494635-01	

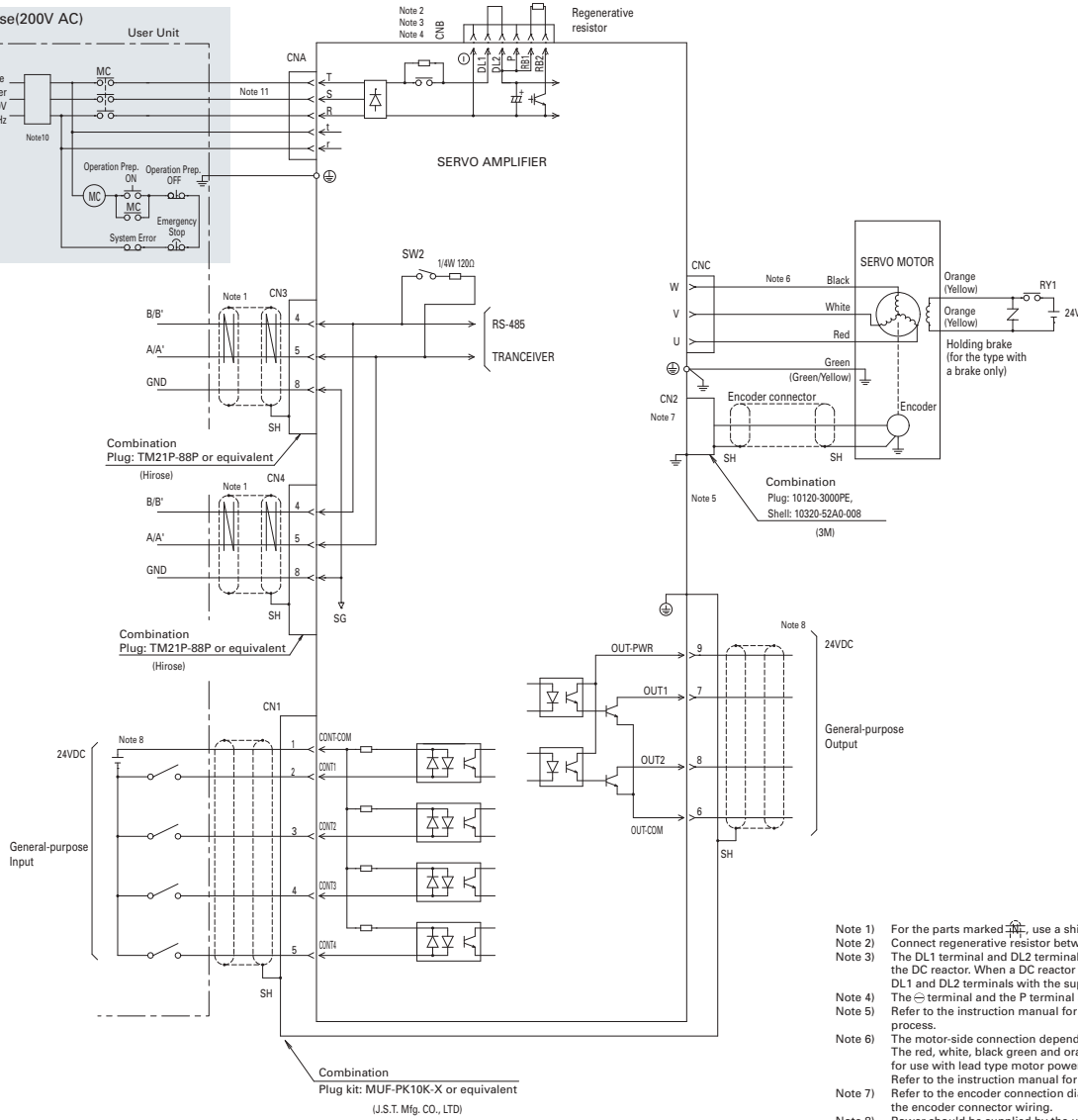
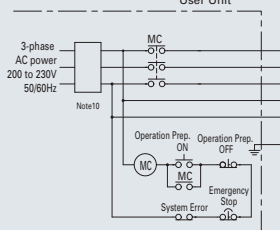
To build a complete system, you need to have checked items.

Wiring Diagram

1-phase(200V AC)



3-phase(200V AC)

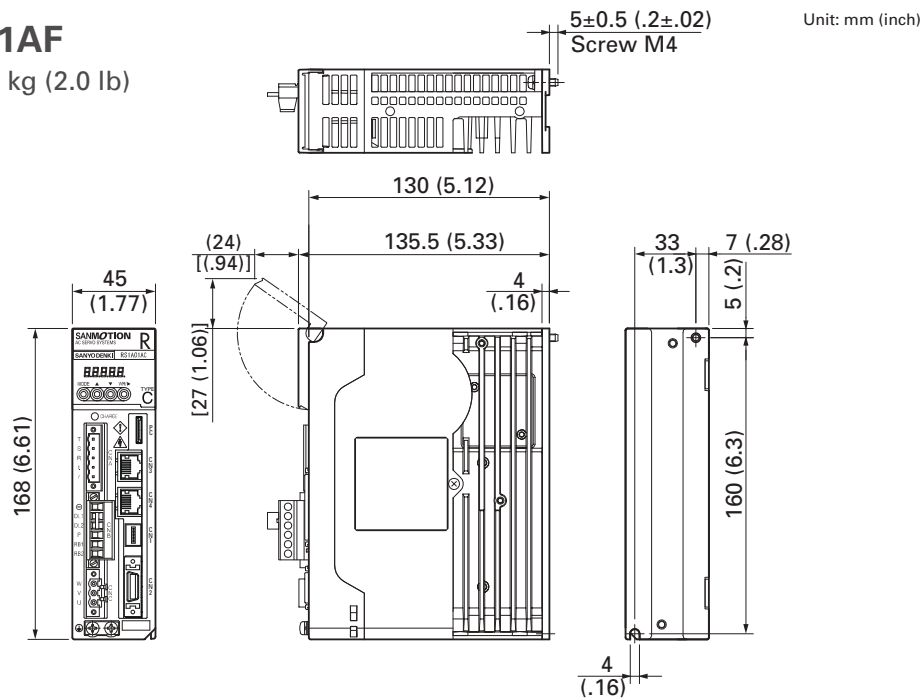


- Note 1) For the parts marked with a shield symbol, use a shielded cable.
- Note 2) Connect regenerative resistor between RB1 and RB2 terminals.
- Note 3) The DL1 terminal and DL2 terminal are terminals to connect to the DC reactor. When a DC reactor is not used, short-circuit between DL1 and DL2 terminals with the supplied short-circuit bar.
- Note 4) The ⊕ terminal and the P terminal are for maintenance process.
- Note 5) Refer to the instruction manual for instructions on the shielding process.
- Note 6) The motor-side connection depends on the motor specification. The red, white, black green and orange markings are for use with lead type motor power line and brake line. Refer to the instruction manual for cannon plug type connections.
- Note 7) Refer to the encoder connection diagram regarding the encoder connector wiring.
- Note 8) Power should be supplied by the user. Either of the inputs can be selected.
- Note 9) R,S,T,r, ⊕, P, DL1, DL2, RB1, RB2, U, V, W are high-voltage circuits, all other lines are low-voltage. Ensure sufficient distance between the high- and low-voltage circuits.
- Note 10) It is recommended to use a ground fault interrupter conforming to the UL, IEC and EN standards.
- Note 11) Do not wire the S phase for a single-phase power amplifier.

Dimensions

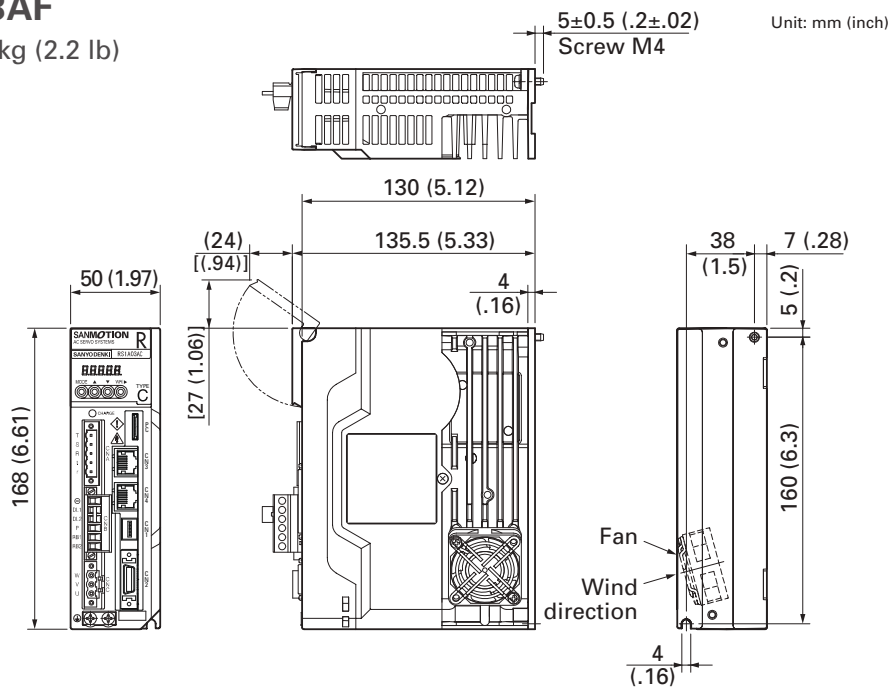
■ RS1A01AF

Mass: 0.9 kg (2.0 lb)



■ RS1A03AF

Mass: 1.0 kg (2.2 lb)



3E Model EtherCAT Interface Servo Amplifier



Control function	Speed control/Torque control/Position control (Parameter changeover)	
Main Circuit Power ^(Note 1)	3-Phase: 200 to 240 VAC +10, -15%, 50/60 Hz±3 Hz	
Control Power	Single-phase: 200 to 240 VAC +10, -15%, 50/60 Hz±3 Hz ^(Note 2)	
Environment	Ambient temperature	0 to +55°C
	Storage temperature	-20 to +65°C
	Operation/Storage humidity	Below 90% RH (no condensation)
	Elevation	Below 1000 m
	Vibration	4.9 m/s ²
	Shock	19.6 m/s ²
Structure	Built-in tray type power supply	

Note 1) Always use input voltage within the specification range for the main circuit power supply.

Note 2) AC200V-single-phase input type corresponds only to RS3A01A0HA4/RS3A02A0HA4/RS3A03A0HA4/RS3A05A0HA4.

Performance

Speed control range	1:5000 (Internal speed command)
Frequency characteristics	2200 Hz (In high frequency sampling mode) *Differs for each model.
Allowable load inertia moment	10 times motor rotor inertia moment

Built-in Functions

Protection functions	Over current, Current detection error, Overload, Regeneration error, Overheat error, External overheating, Over voltage, Main circuit power low voltage, Main circuit power supply open phase, Control power supply low voltage, Encoder error, Over speed, Speed control error, Speed feedback error, Excessive position, Position command pulse error, Built-in memory error, Parameter error, Cooling fan error.
Digital operator	Status display, Monitor display, Alarm display, Test operation
Dynamic brake circuit	Built-in
Regenerative resistor	Built-in
Monitor	Speed monitor (VMON) 2.0V±10% (at 1000 min ⁻¹) Torque (thrust force) command monitor (TCMON) 2.0 V±10% (at 100%)

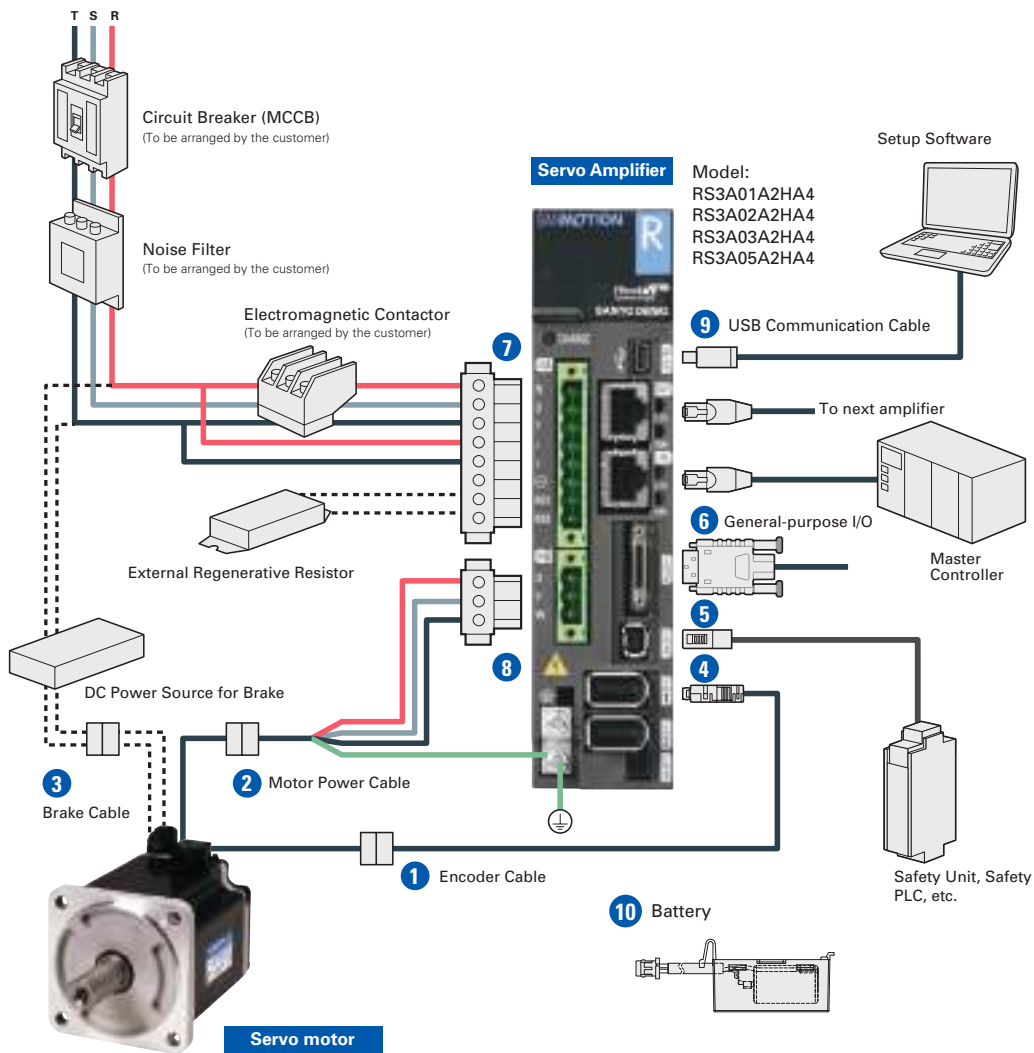
Safety Standard

Servo amplifier type	Safety standards		
All models	UL, c-UL ratings	UL 61800-5-1	
	EN standards	Low-voltage directive	IEC/EN 61800-5-1
		EMC directive	<ul style="list-style-type: none"> • IEC/EN 61000-6-4 • IEC/EN 61000-6-2 • EN61000-6-7
	KC mark (Korea Certification Mark)	KN 61000-6-2, KN 61000-6-4	
Model with safety function	Function safety standards	<ul style="list-style-type: none"> • IEC61508, SIL3 • IEC62061, SILCL3 • ISO13894-1, Cat3, PL=e 	

EtherCAT Interface Specifications

Physical layer	IEC61158-2 IEEE802.3u 100BASE-TX
Data link layer	IEC61158-3,-4 Type12
Application layer	IEC61158-5,-6 Type12
Device profile	IEC61800-7 Profile type1(CiA402) CoE (CANopen over EtherCAT) FoE (File access over EtherCAT)
Communication port	RJ45 connector (2 ports)
Baud rate	100 Mbps (Full duplex)
Max. No. of nodes	65535 nodes
Transmission distance/topology	Max. 100 m (between nodes)/Daisy-chain
Cable	Twisted-pair CAT5e (straight or cross)
Communication object	SDO (Service Data Object) PDO (Process Data Object)
Minimum communication cycle time	125 µs (62.5 µs: speed/torque control only)
PDO length	Output: Max. 31 objects, Input: Max. 31 objects Total: Max. 62 objects
Synchronization function	SYNC0, SYNC1 Event Synchronization Mode, Synchronous with SM2 Event Mode, Asynchronous Mode
Operation mode	Profile Position Mode, Profile Velocity Mode, Profile Torque Mode, Homing Mode, Cycle Sync Position Mode, Cycle Sync Velocity Mode, Cycle Sync Torque Mode
LED indicator	Port 0/1 link display, RUN display, error display
General Input/Output	7 inputs, 2 outputs (9 total)

System Configuration: 10A, 20A, 30A, 50A

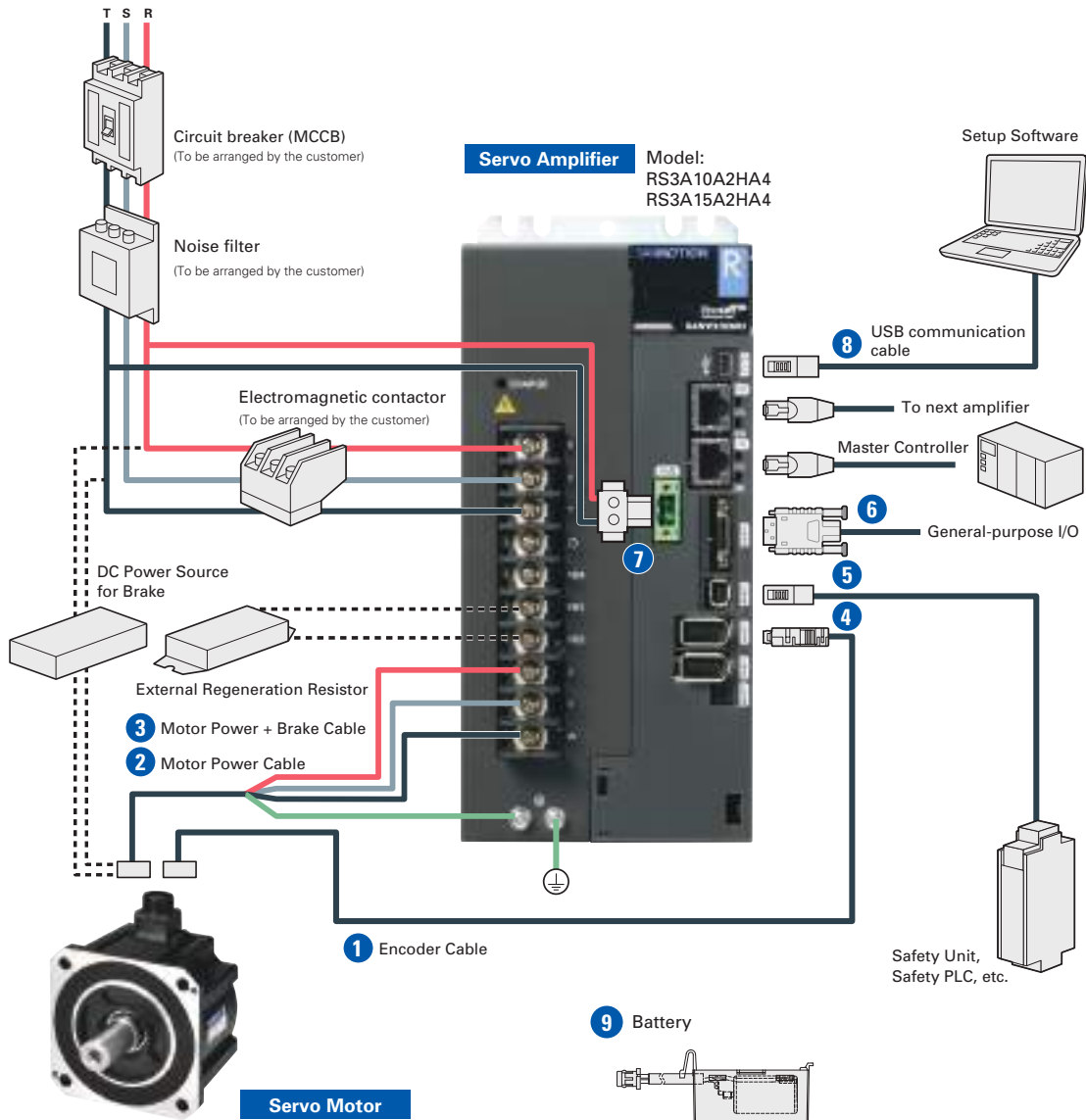


Item	Parts Number	Description
✓ 1	Encoder Cable: 10 ft EEXTKABS2410FT EEXTKABS24JN10FT	For 0.55 kW and 1.2 kW motor
✓ 2	Motor Power Cable: 10 ft MEXTK1810FT MEXTK18JN10FT MEXTK14JN10FT	For 0.55 kW motor For 1.2 kW motor
✓ 3	Brake Cable: 10 ft MEXTBRK2010FT	Only for brake equipped motor
4	Connector [EN1, EN2] AL-Y0004079-01	No need if Encoder Cable (1) is selected
5	Connector [CN4] AL-00718252-01	For STO, no need if safety device is not installed
6	Connector [CN2] AL-00842383	For general I/O signals
7	Connector [CNA] AL-00686902-01	Supplied with Amplifier
8	Connector [CNB] AL-Y0004079-01	No need if Motor Power Cable (2) is selected
✓ 9	USB Communication Cable: 1m AL-00896515-01	Communication with SANMOTION MOTOR Setup software
10	Battery [CN3] AL-00880402-01	Used when using a battery -backup method absolute encoder

To build a complete system, you need to have checked items.

AC SERVO SYSTEMS

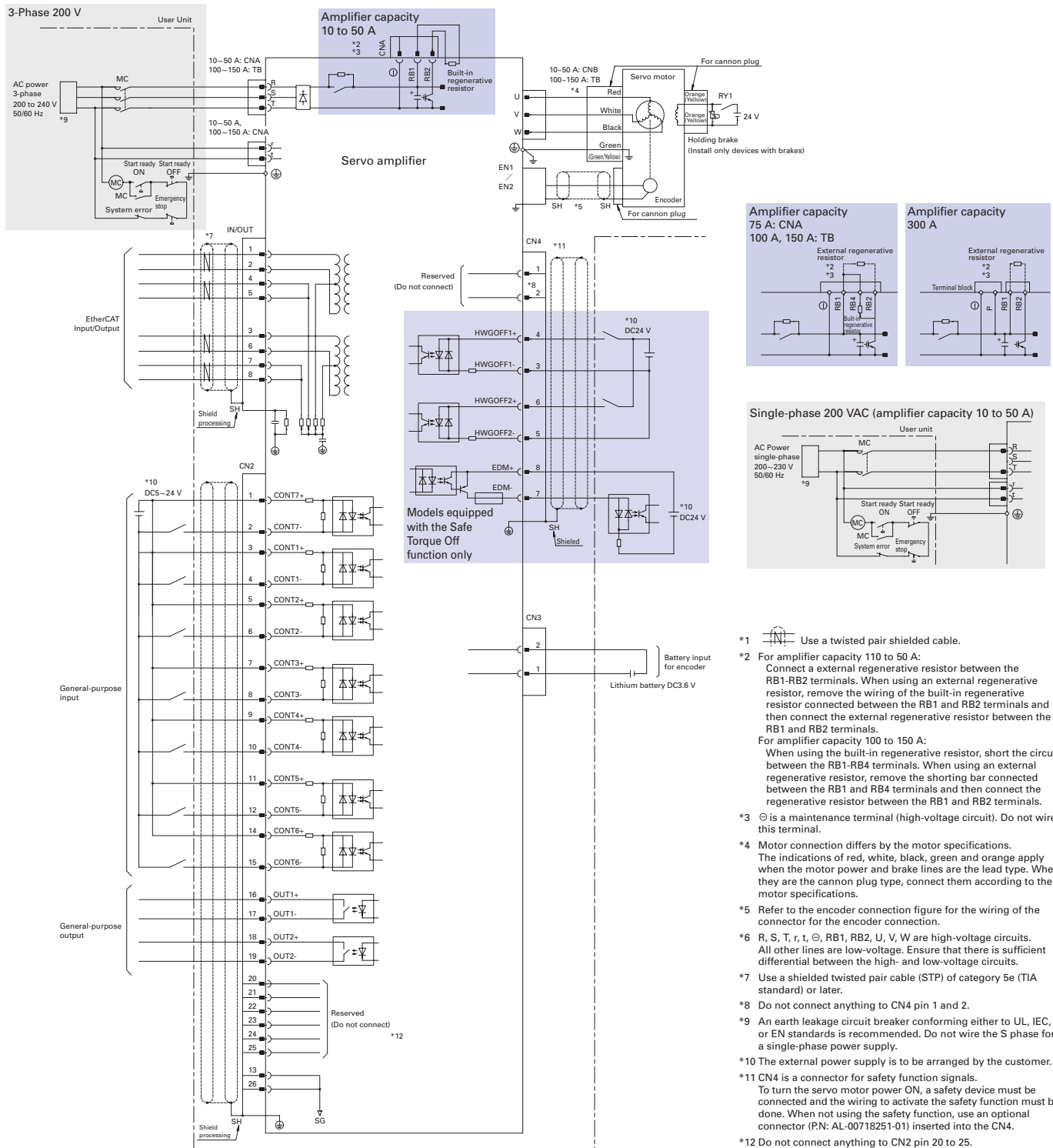
System Configuration: 100A, 150A



Item	Parts Number	Description
✓ 1	EEXTKABS24JN10FT	Encoder Cable: 10 ft
✓ 2	MEXT10JN10FT MEXT08JN10FT	Motor Power Cable: 10 ft For 2 kW motor For 5 kW motor
✓ 3	MEXTB10JN10FT MEXTB08JN10FT	Motor Power + Brake Cable: 10 ft For brake equipped 2 kW motor For brake equipped 5 kW motor
4	AL-Y0004079-01	Connector [EN1, EN2] No need if Encoder Cable (1) is selected
5	AL-00718252-01	Connector [CN4] For STO, no need if safety device is not installed
6	AL-00842383	Connector [CN2] For general I/O signals
✓ 7	AL-Y0005159-01	Connector [CNA]
✓ 8	AL-00896515-01	USB Communication Cable: 1m Communication with SANMOTION MOTOR Setup software
9	AL-00880402-01	Battery [CN3] Used when using a battery -backup method absolute encoder

To build a complete system, you need to have checked items.

Wiring Diagram

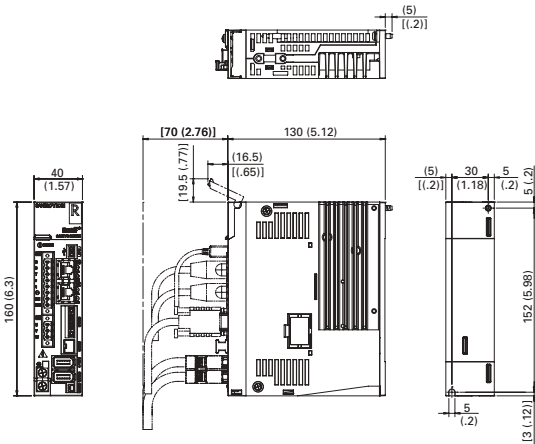


Dimensions

■ RS3A01A2HA4

Mass: 0.8 kg (1.76 lb)

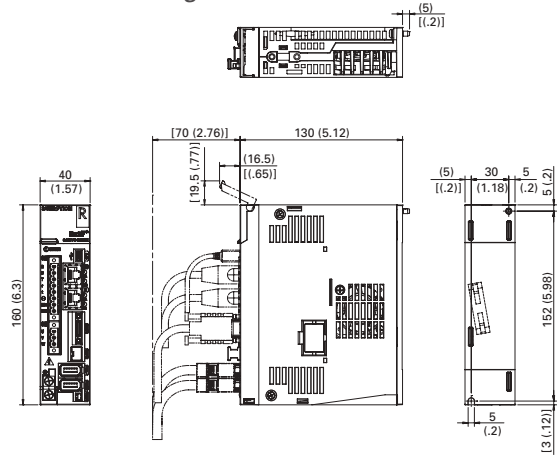
Unit: mm (inch)



■ RS3A02A2HA4

Mass: 0.8 kg (1.76 lb)

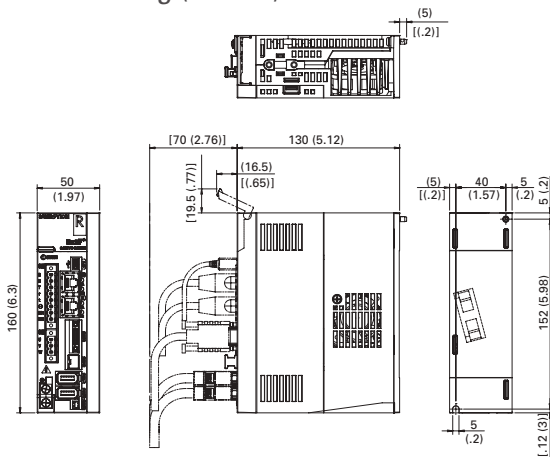
Unit: mm (inch)



■ RS3A03A2HA4

Mass: 0.9 kg (1.98 lb)

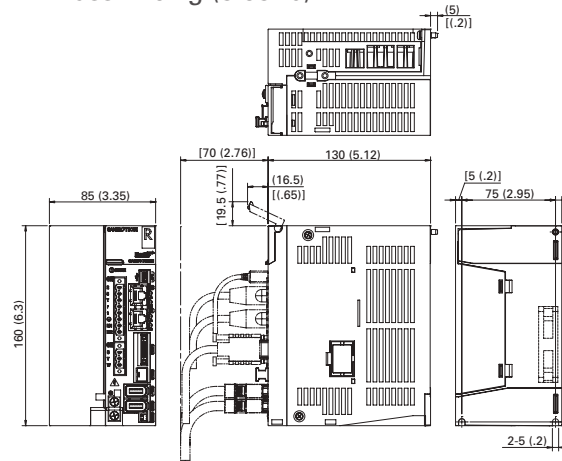
Unit: mm (inch)



■ RS3A05A2HA4

Mass: 1.6 kg (3.53 lb)

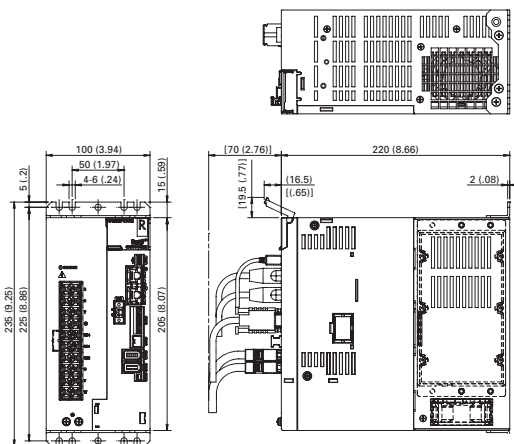
Unit: mm (inch)



■ RS3A10A2HA4

Mass: 4.2 kg (9.26 lb)

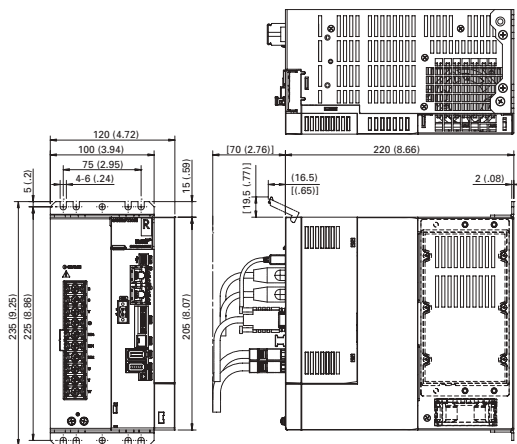
Unit: mm (inch)



■ RS3A15A2HA4

Mass: 4.9 kg (10.8 lb)

Unit: mm (inch)



EtherCAT Interface Type Servo Amplifier



Specifications

Control function	Position control/Speed control/Torque control (Parameter changeover)	
Main circuit power ^(Note 1)	Three-phase: 200 to 230 VAC +10, -15%, 50/60 Hz ± 3Hz Single-phase: 200 to 230 VAC +10, -15%, 50/60 Hz ± 3Hz ^(Note 2) Single-phase: 100 to 115 VAC +10, -15%, 50/60 Hz ± 3Hz ^(Note 3)	
Control circuit power	Single-phase: 200 to 230 VAC +10, -15%, 50/60 Hz ± 3Hz Single-phase: 100 to 115 VAC +10, -15%, 50/60 Hz ± 3Hz ^(Note 3)	
Environment	Ambient temperature	0 to +55°C
	Storage temperature	-20 to +65°C
	Operation/Storage humidity	Below 90% RH (no condensation)
	Elevation	Below 1000 m
	Vibration	4.9 m/s ² Frequency range 10 to 55 Hz tested for 2 hours in each direction X.Y.Z
	Shock	19.6 m/s ²
Structure	Built-in tray type power supply	

Note 1) Power source voltage should be within the specified range
 200 VAC Power input type: Specified power supply range = 170 to 253 VAC
 100 VAC Power input type: Specified power supply range = 85 to 127 VAC
 Note 2) 200 VAC single-phase input type corresponds only to the RS2A01A0KA4, RS2A03A0KA4 and RS2A05A0KA4
 Note 3) 100 VAC single-phase input type corresponds only to the RS2E01A0KA4 and RS2E03A0KA4

Performance

Speed control range	1:5000 (Internal speed command)
Frequency characteristics	800 Hz

Built-in Functions

Protection functions	Over current, Current detection error, Overload, Regeneration error, Amplifier overheating, External overheating, Over voltage, Main circuit power low voltage, Main circuit power supply open phase, Control power supply low voltage, Encoder error, Over speed, Speed control error, Speed feedback error, Excessive position, Position command pulse error, Built-in memory error, Parameter error
LED display	Status display, Monitor display, Alarm display, Parameter setting, Adjustment mode
Dynamic brake circuit	Built-in
Regeneration process	Built-in
Monitor	Speed monitor (VMON) 2.0V±10% (at 1000 min ⁻¹) Torque monitor (TCMON) 2.0V±10% (at 100%)

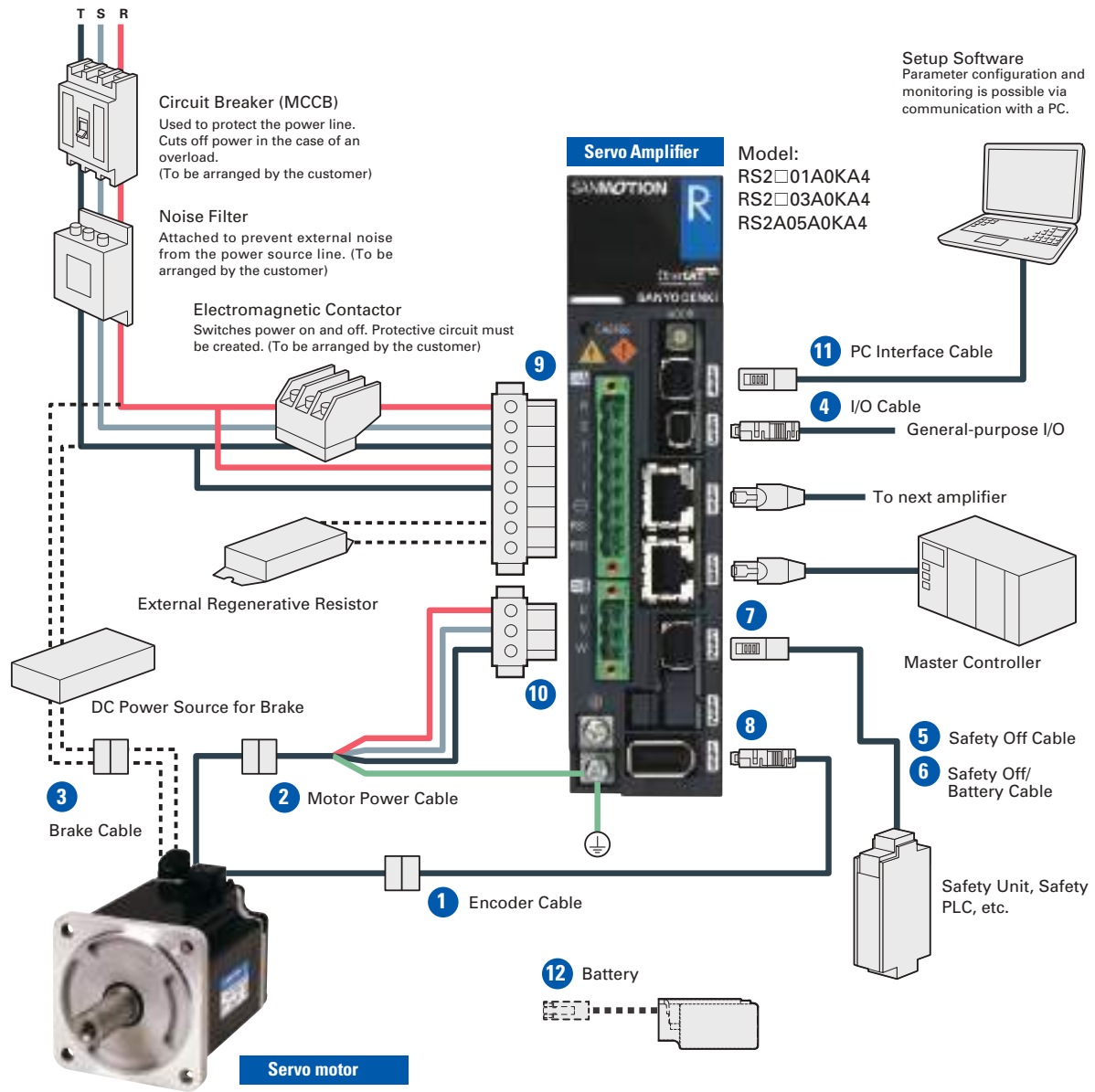
Safety Standard

Servo amplifier type	Safety standards		
All models	UL ratings	UL508C	
	EN standards	Low-voltage directive	• EN61800-5-1 • EN55011, G1, ClassA
		EMC directive	• EN61000-6-2 • EN61800-3
Model with safety function	Function safety standards	• IEC61508, SIL2 • ISO13849-1, Cat.3, PL = d	• IEC62061, SILCL2 • EN954-1, Cat. 3

EtherCAT Interface Specifications

Physical layer	IEC61158-2 IEEE802.3u 100BASE-TX		
Data link layer	IEC61158-3,-4 Type12		
Application layer	IEC61158-5,-6 Type12		
Device profile	IEC61800-7 Profile type1(CiA402)	• CoE (CANopen over EtherCAT)	• FoE (File access over EtherCAT)
Communication port	RJ45 connector (2 ports)		
Baud rate	100 Mbps (Full duplex)		
Max. No. of nodes	65535 nodes		
Transmission distance/topology	Max. 100 m (between nodes)/Daisy-chain		
Cable	Twisted-pair CAT5e (straight or cross)		
Communication object	SDO (Service Data Object) PDO (Process Data Object)		
PDO length	Output: Max.64Byte Input: Max.64Byte Total: Max. 128 Bytes		
Synchronization function	SYNC0, SYNC1 Event Synchronization Mode (DC Mode), Synchronous with SM2 Event Mode, Asynchronous Mode		
Operation mode	Profile Position Mode, Profile Velocity Mode, Profile Torque Mode, Homing Mode, Cycle Sync Position Mode, Cycle Sync Velocity Mode, Cycle Sync Torque Mode		
LED indicator	Port 0/1 link display, RUN display, error display		
General Input/Output	2 inputs, 2 outputs (4 total)		

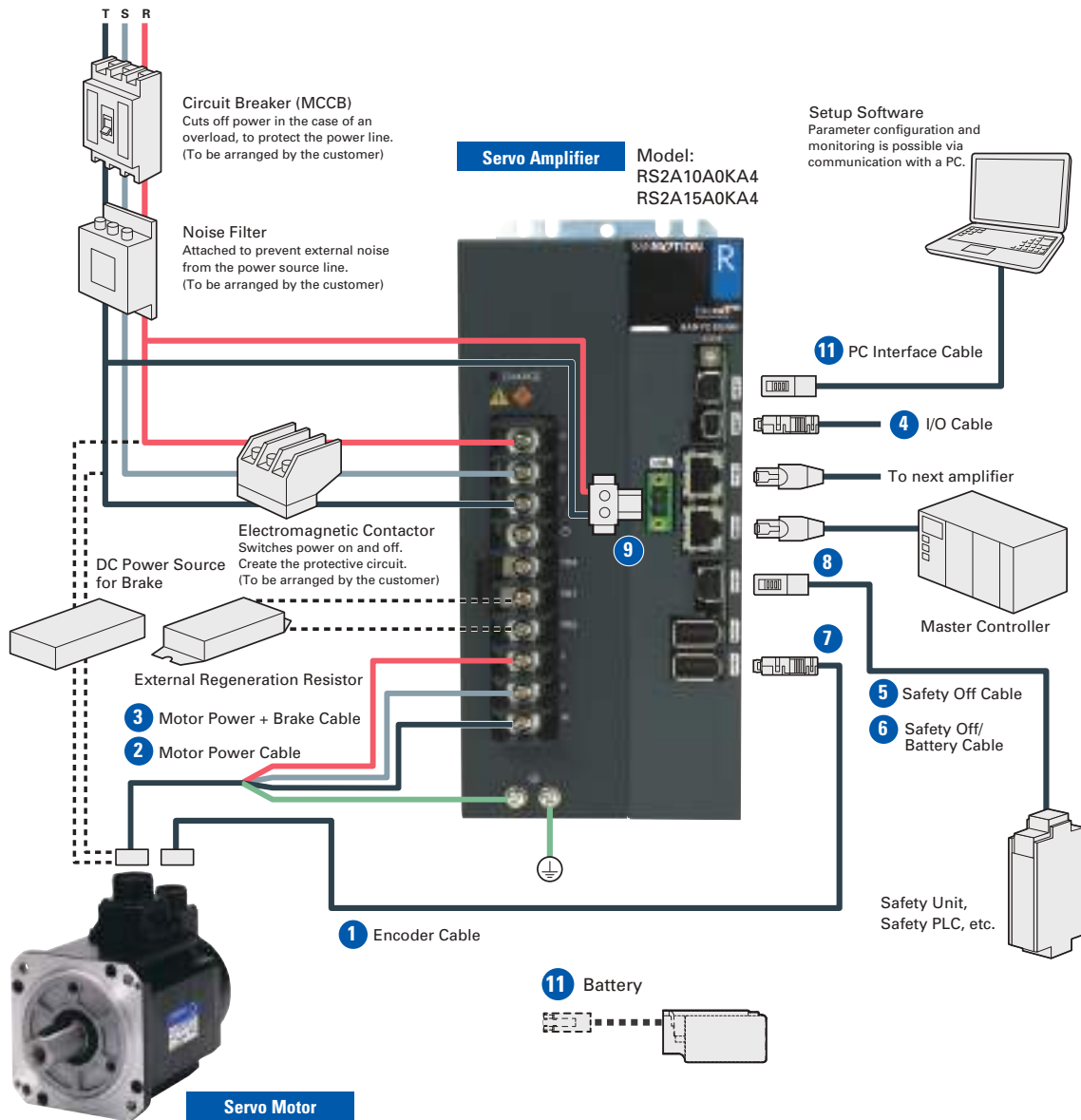
System Configuration: 15A, 30A, 50A



Item	Parts Number	Description
✓ 1	Encoder Cable: 10 ft EEXTKABS2410FT	
✓ 2	Motor Power Cable: 10 ft MEXTK1810FT	
3	Brake Cable: 10 ft MEXTBRK2010FT	Only for Brake Equipped Motor
4	I/O Cable: 3 ft 1026-100407	
✓ 5	Safety Off Cable: 3 ft 1026-100410	One side flying leads
6	Safety Off / Battery Cable: 3 ft 1026-100416	One side flying leads + Battery + Holder
7	Connector [CN2] AL-Y0004290-02	No need if Safety Off Cable (5) is selected
8	Connector [EN1] AL-00632607	No need if Encoder Cable (1) is selected
9	Connector [CNA] AL-00686902-01	Supplied with Amplifier
10	Connector [CNB] AL-Y0004079-01	No need if Motor Power Cable (2) is selected
11	PC Interface Cable AL-00689703-01	Communication with SANMOTION MOTOR Setup Software
12	Battery 1025-106187	Battery + Holder (ask us)

To build a complete system, you need to have checked items.

System Configuration: 100A, 150A

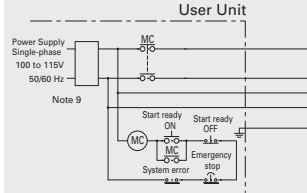


Item	Parts Number	Description
✓ 1	EEXTKABS24JN10FT	Encoder Cable: 10 ft
✓ 2	MEXTK18JN10FT	For 0.5 kW motor
	MEXTK14JN10FT	For 1.2 kW motor
	MEXT10JN10FT	For 2 kW motor
	MEXT08JN10FT	For 5 kW motor
3	MEXTB10JN10FT	For brake equipped 2 kW motor
	MEXTB08JN10FT	For brake equipped 5 kW motor
4	1026-100407	I/O Cable: 3 ft
✓ 5	1026-100410	Safety Off Cable: 3 ft
6	1026-100416	Safety Off / Battery Cable: 3 ft
7	AL-00632607	Connector [EN1]
8	AL-Y0004290-02	Connector [CN2]
✓ 9	AL-Y0005159-01	Connector [CNA]
10	AL-00689703-01	PC Interface Cable
11	1025-106187	Battery

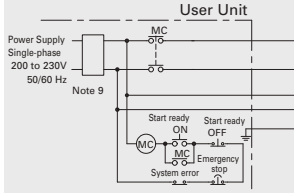
To build a complete system, you need to have checked items.

Wiring Diagram

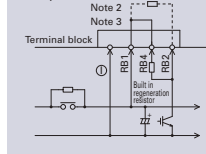
Single-phase 100V
(Amp capacity 15A, 30A)



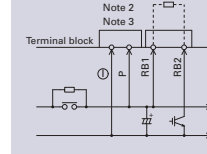
Single-phase 200V
(Amp capacity 15 to 50A)



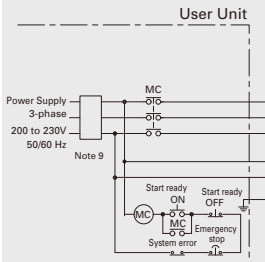
Amp capacity
100A, 150A



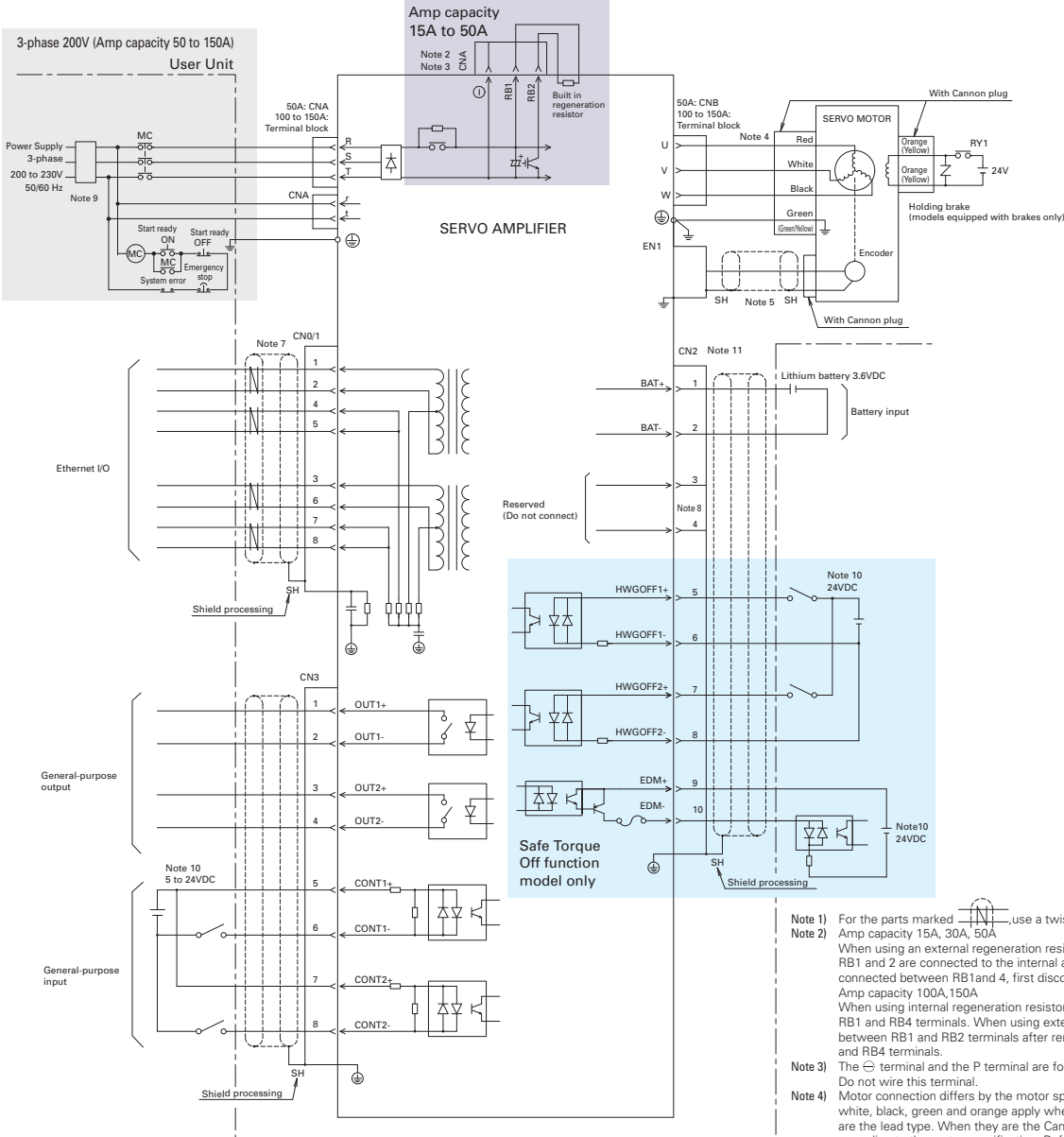
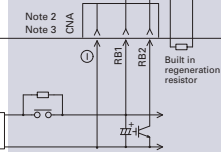
Amp capacity
300A



3-phase 200V (Amp capacity 50 to 150A)



Amp capacity
15A to 50A

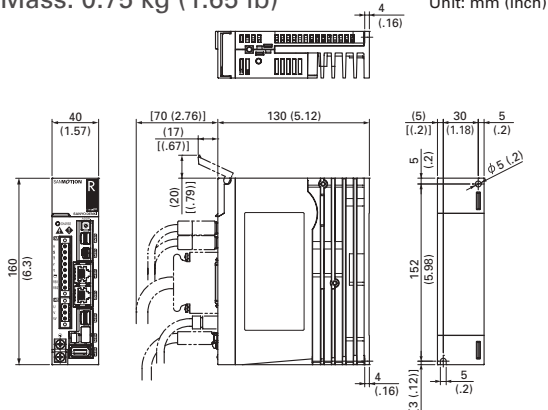


- Note 1) For the parts marked use a twisted pair shielded cable.
- Note 2) Amp capacity 15A, 30A, 50A
When using an external regeneration resistor, connect it between RB1 and 2. If RB1 and 2 are connected to the internal amplifier's resistor, or if a shorting bar is connected between RB1 and 4, first disconnect them.
Amp capacity 100A, 150A
When using internal regeneration resistor, connect short-circuit bar between RB1 and RB4 terminals. When using external regeneration resistor, connect it between RB1 and RB2 terminals after removing short-circuit bar between RB1 and RB4 terminals.
- Note 3) The ⊖ terminal and the P terminal are for maintenance (high voltage circuit). Do not wire this terminal.
- Note 4) Motor connection differs by the motor specifications. The indications of red, white, black, green and orange apply when the motor power and brake lines are the lead type. When they are the Cannon plug type, connect them according to the motor specification. Refer to pin assignment symbols in the instruction manual.
- Note 5) Refer to encoder connection diagram in instruction manual for the wiring for the connector for the encoder connection.
- Note 6) R, S, T, r, ⊖, P, DL1, DL2, RB1, RB2, RB4 (100A, 150A only), U, V, W are high-voltage circuits, all other lines are low-voltage. Ensure sufficient distance between the high- and low-voltage circuits.
- Note 7) Use a TIA category 5e or better shielded twisted pair (STP) cable.
- Note 8) Nothing should connect with CN2-3 and 4 pin.
- Note 9) It is recommend to use a ground fault interrupter conforming to the UL, IEC and EN standards. Do not wire the S phase for a single-phase power amplifier. External power is to be supplied by user.
- Note 10) External power is to be supplied by user.
- Note 11) CN2 is a Safe Torque Off function connector. If it is not connected to the safety device to enable the Safe Torque Off function to work, the servo does not turn on (the motor is not energized).

Dimensions

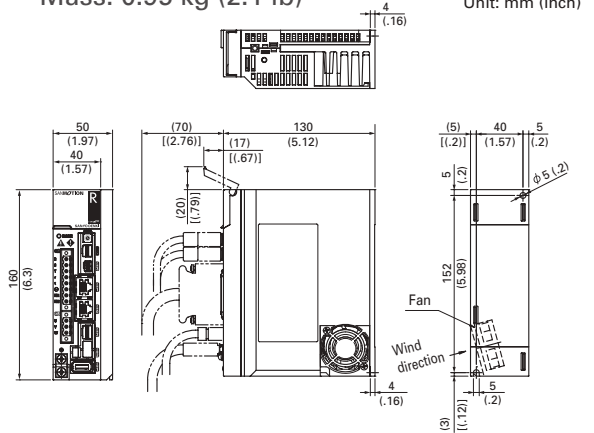
■ RS2A01A0KA4 ■ RS2E01A0KA4

Mass: 0.75 kg (1.65 lb)



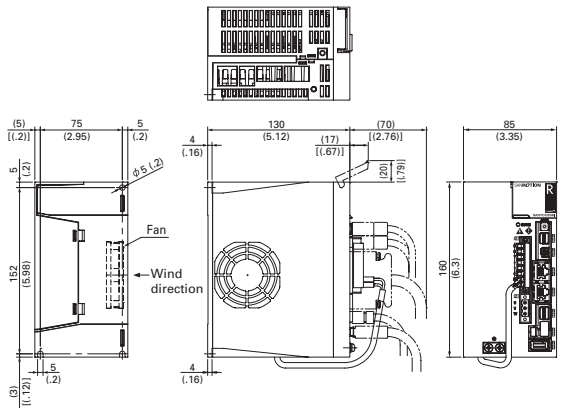
■ RS2A03A0KA4 ■ RS2E03A0KA4

Mass: 0.95 kg (2.1 lb)



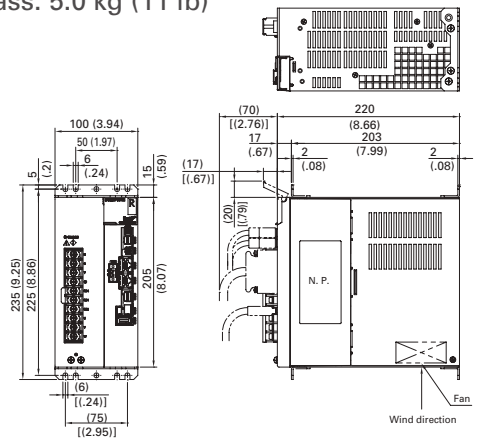
■ RS2A05A0KA4

Mass: 1.65 kg (3.6 lb)



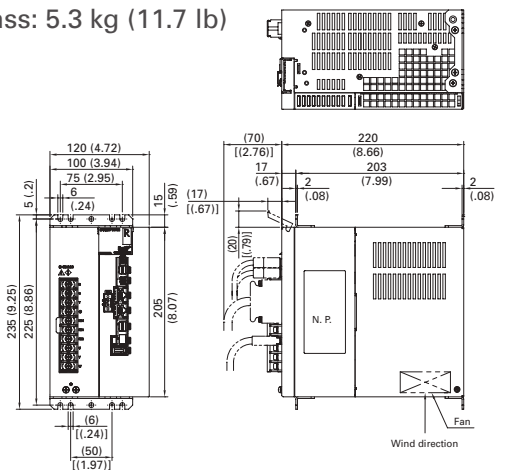
■ RS2A10A0KA4

Mass: 5.0 kg (11 lb)



■ RS2A15A0KA4

Mass: 5.3 kg (11.7 lb)



Specifications

Control function	Position control/Speed control/Torque control (Parameter changeover)	
Main circuit power (Note 1)	Three-phase: 200 to 230 VAC +10, -15%, 50/60Hz±3Hz Single-phase: 200 to 230 VAC +10, -15%, 50/60Hz±3Hz (Note 2)	
Control circuit power	Single-phase: 200 to 230 VAC +10, -15%, 50/60Hz±3Hz	
Environment	Ambient temperature	0 to +55°C
	Storage temperature	-20 to +65°C
	Operation/Storage humidity	Below 90% RH (no condensation)
	Elevation	Below 1000 m
	Vibration	5 m/s ² Frequency range 10 to 55Hz tested for 2h in each direction X.Y.Z
Structure	Shock	20m/s ²
	Built-in tray type power supply	

Note 1) Power source voltage should be within the specified range

200 VAC Power input type: Specified power supply range = 170 to 253 VAC

Note 2) 200 VAC single-phase input type corresponds only to the RS2A01A0KA4, RS2A03A0KA4, RS2A05A0KA4

Performance

Speed control range	1:5000 (Internal speed command)
Frequency characteristics	800 Hz

Built-in Functions

Protection functions	Over current, Current detection error, Overload, Regeneration error, Magnetic pole position estimation error, Amplifier overheating, External overheating, Over voltage, Main circuit power low voltage, Main circuit power supply open phase, Control power supply low voltage, Encoder error, Over speed, Speed control error, Speed feedback error, Excessive position, Position command error, Built-in memory error, Parameter error
LED display	Status display, Monitor display, Alarm display, Test operation, Adjustment mode
Dynamic brake circuit	Built-in
Regeneration process	Built-in
Monitor	Speed monitor (VMON) 2.0V±10% (at 1000 min ⁻¹) Torque monitor (TCMON) 2.0V±10% (at 100%)

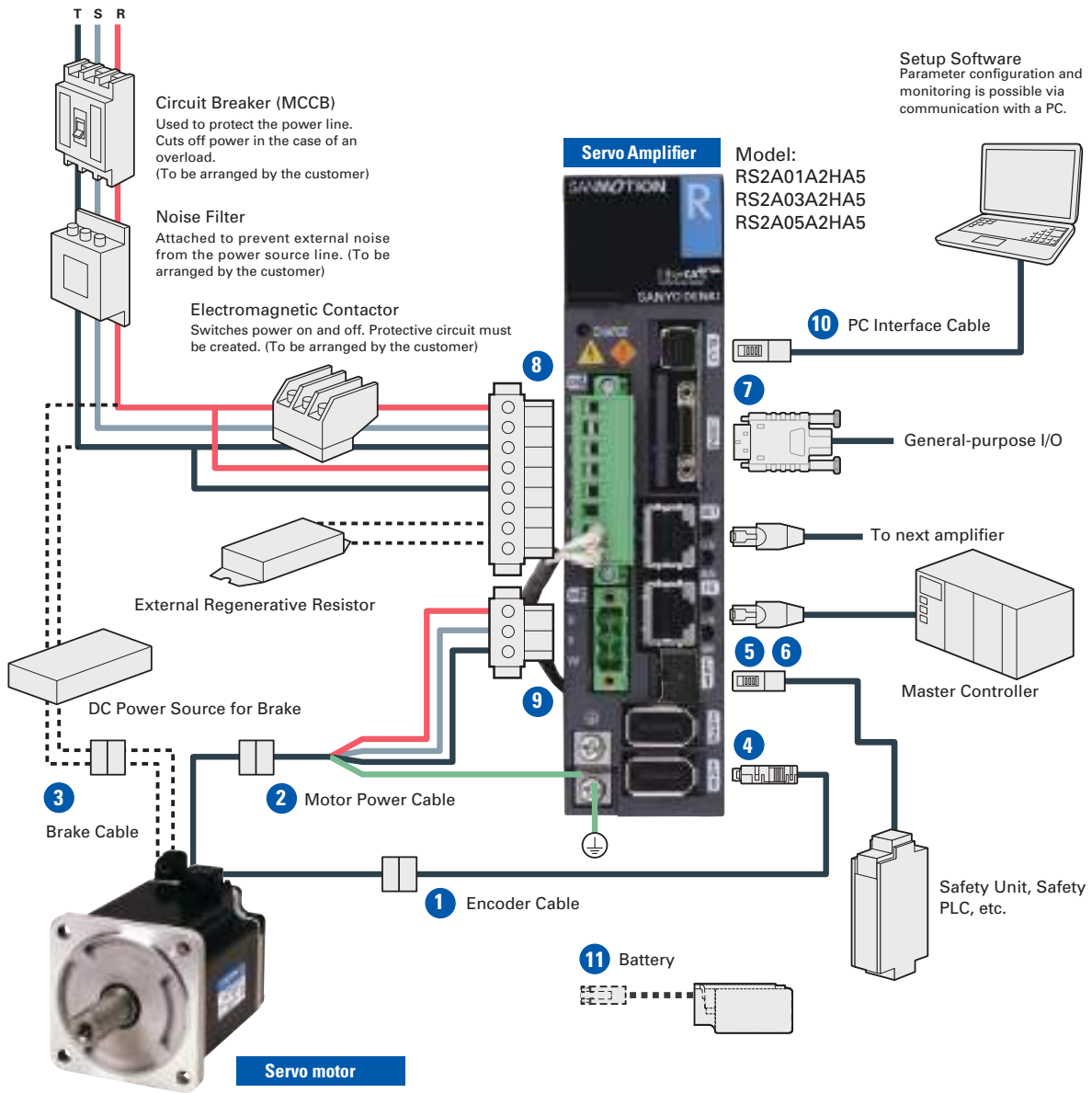
Safety Standard

Servo amplifier type	Safety standards		
All models	UL ratings	UL508C	
	EN standards	Low-voltage directive	• EN61800-5-1 • EN61000-6-2 • EN61800-3 • EN61326-3-1
		EMC directive	
Model with safety function	Function safety standards	• IEC61508, SIL2 • IEC62061, SILCL2	• ISO13894-1, Cat3, PL=d

EtherCAT Interface Specifications

Physical layer	IEC61158-2 IEEE802.3u 100BASE-TX
Data link layer	IEC61158-3,-4 Type12
Application layer	IEC61158-5,-6 Type12
Device profile	IEC61800-7 Profile type1(CiA402) • CoE (CANopen over EtherCAT) • FoE (File access over EtherCAT)
Communication port	RJ45 connector (2 ports)
Baud rate	100 Mbps (Full duplex)
Max. No. of nodes	65535 nodes
Transmission distance/topology	Max. 100 m (between nodes)/Daisy-chain
Cable	Twisted-pair CAT5e (straight or cross)
Communication object	SDO (Service Data Object) PDO (Process Data Object)
PDO length	Output: Max. 20 objects, Input: Max. 20 objects Total: Max. 40 objects
Synchronization function	SYNC0, SYNC1 Event Synchronization Mode (DC Mode), Synchronous with SM2 Event Mode, Asynchronous Mode
Operation mode	Profile Position Mode, Profile Velocity Mode, Profile Torque Mode, Homing Mode, Cycle Sync Position Mode, Cycle Sync Velocity Mode, Cycle Sync Torque Mode
LED indicator	Port 0/1 link display, RUN display, error display
General Input/Output	6 inputs, 2 outputs (8 total)

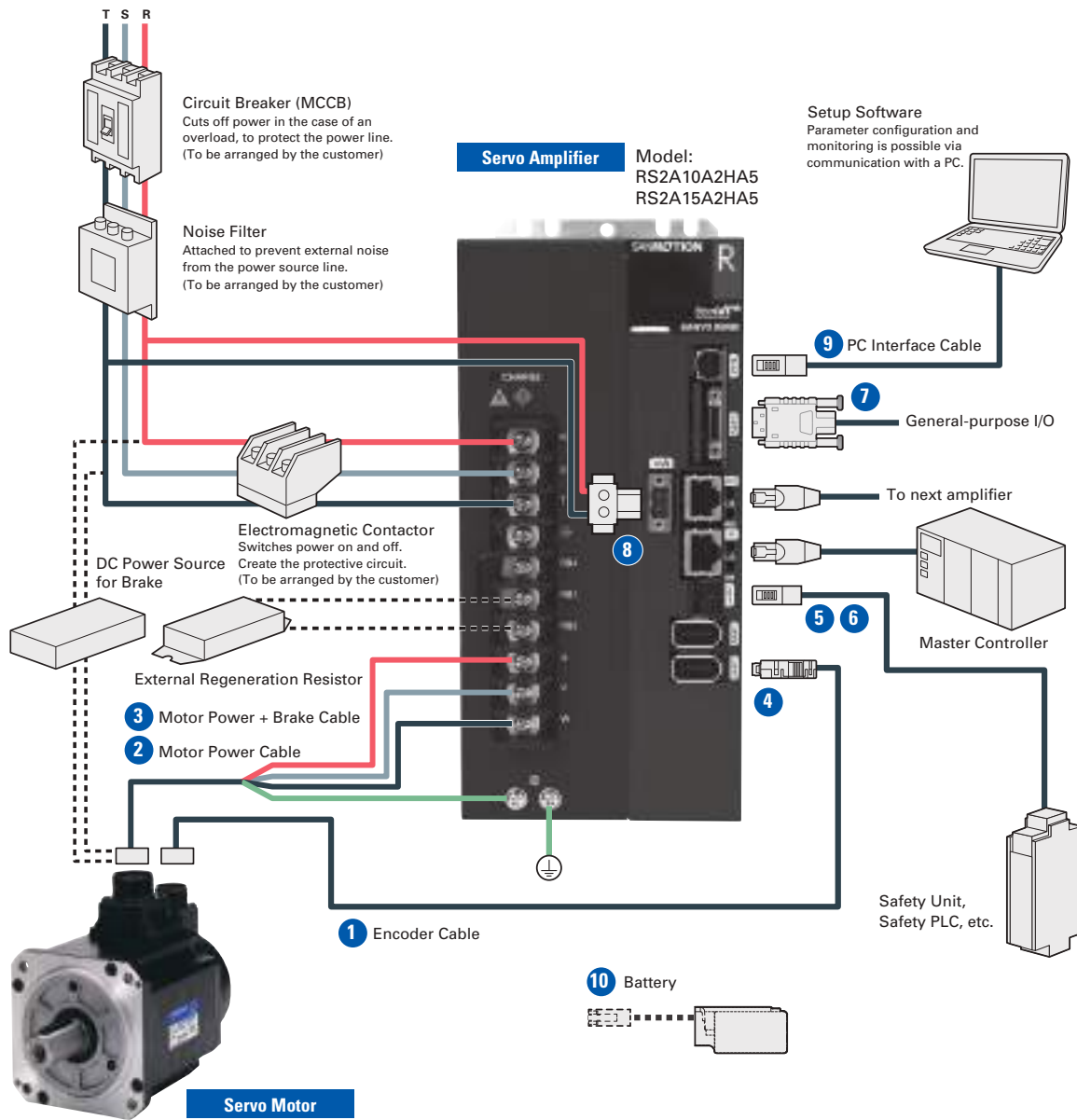
System Configuration: 15A, 30A, 50A



Item	Parts Number	Description	
✓ 1	Encoder Cable: 10 ft	EEXTKABS2410FT	
✓ 2	Motor Power Cable: 10 ft	MEXTK1810FT	
3	Brake Cable: 10 ft	MEXTBRK2010FT	Only for Brake Equipped Motor
4	Connector [EN1, EN2]	AL-00632607	No need if Encoder Cable (1) is selected
5	Connector [CN1]	AL-00718252-01	For STO, no need if safety device is not installed
6	Connector [CN1]	AL-00849548-02	For STO cancellation, supplied with Amplifier.
7	Connector [CN2]	AL-00842383	For general I/O signal
8	Connector [CNA]	AL-00686902-01	Supplied with Amplifier
9	Connector [CNB]	AL-Y0004079-01	No need if Motor Power Cable (2) is selected
10	PC Interface Cable	AL-00689703-01	Communication with SANMOTION MOTOR Setup software
11	Battery	1025-106187	Battery + Holder (ask us)

To build a complete system, you need to have checked items.

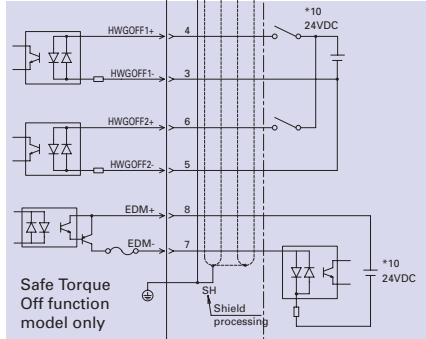
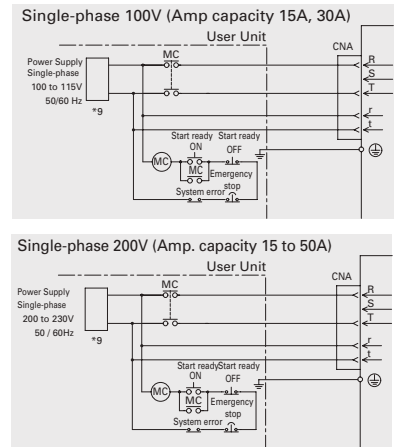
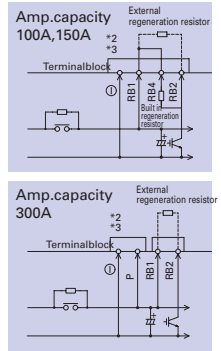
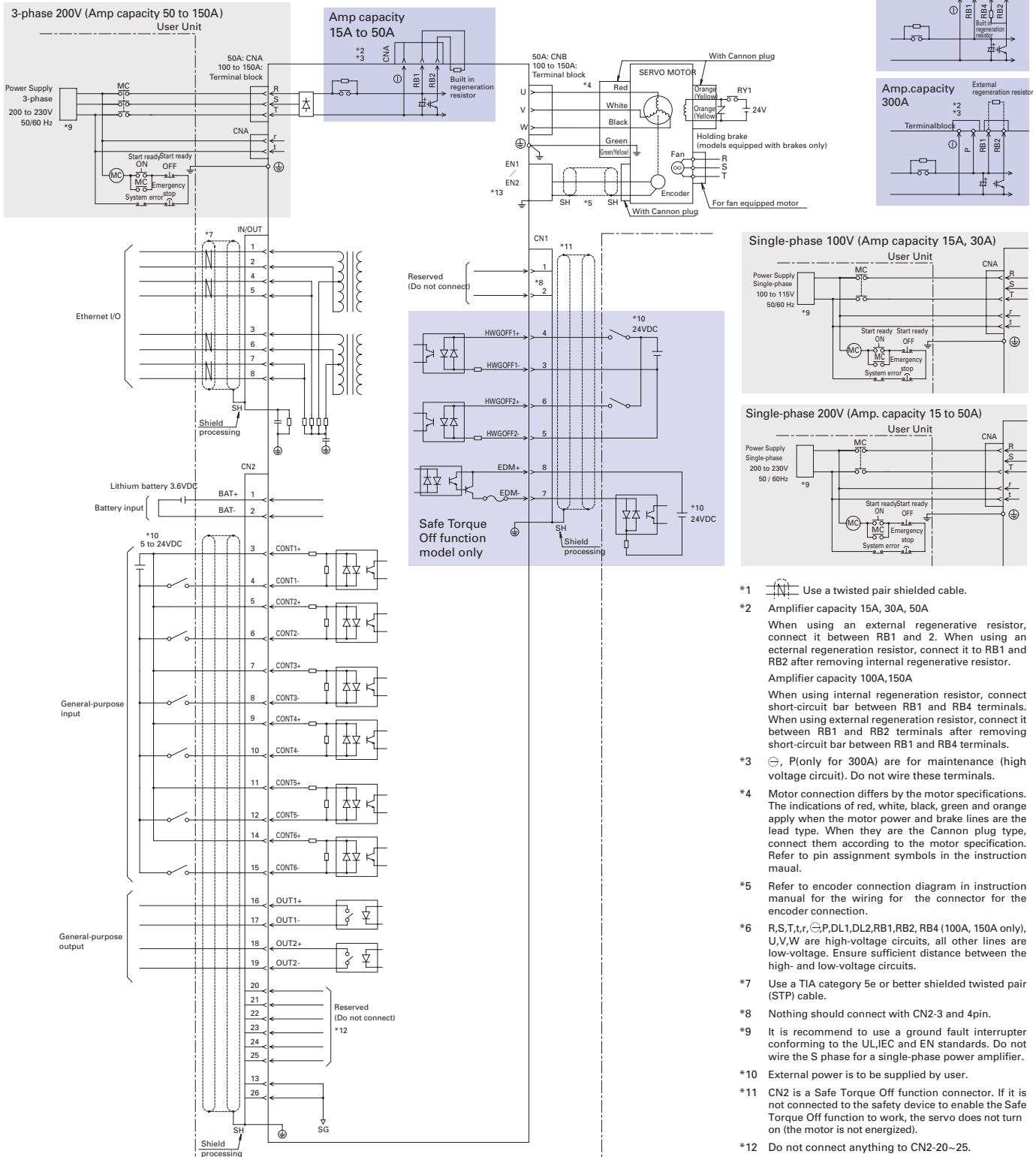
System Configuration: 100A, 150A



Item	Parts Number	Description
✓ 1	EEXTKABS24JN10FT	Encoder Cable: 10 ft
✓ 2	MEXTK18JN10FT	Motor Power Cable: 10 ft
	MEXTK14JN10FT	For 0.55 kW motor
	MEXT10JN10FT	For 1.2 kW motor
	MEXT08JN10FT	For 2 kW motor
3	MEXTB10JN10FT	Motor Power + Brake Cable: 10 ft
	MEXTB08JN10FT	For brake equipped 5 kW motor
4	AL-00632607	Connector [EN1, EN2]
5	AL-00718252-01	Connector [CN1]
6	AL-00849548-02	Connector [CN1]
7	AL-00842383	Connector [CN2]
✓ 8	AL-Y0005159-01	Connector [CNA]
9	AL-00689703-01	PC Interface Cable
10	1025-106187	Battery

To build a complete system, you need to have checked items.

Wiring Diagram

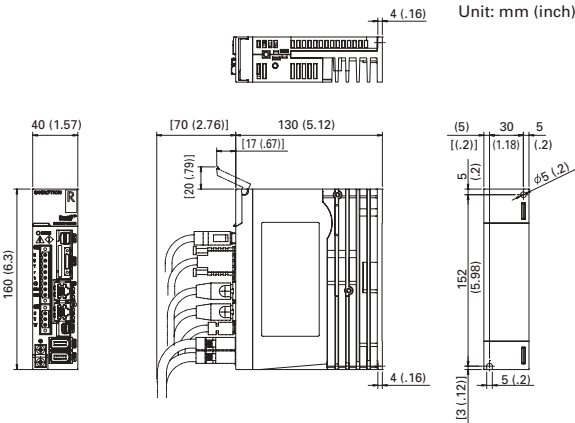


- *1 Use a twisted pair shielded cable.
- *2 Amplifier capacity 15A, 30A, 50A
When using an external regenerative resistor, connect it between RB1 and 2. When using an external regeneration resistor, connect it to RB1 and RB2 after removing internal regenerative resistor.
Amplifier capacity 100A, 150A
When using internal regeneration resistor, connect short-circuit bar between RB1 and RB4 terminals. When using external regeneration resistor, connect it between RB1 and RB2 terminals after removing short-circuit bar between RB1 and RB4 terminals.
- *3 (only for 300A) are for maintenance (high voltage circuit). Do not wire these terminals.
- *4 Motor connection differs by the motor specifications. The indications of red, white, black, green and orange apply when the motor power and brake lines are the lead type. When they are the Cannon plug type, connect them according to the motor specification. Refer to pin assignment symbols in the instruction manual.
- *5 Refer to encoder connection diagram in instruction manual for the wiring of the connector for the encoder connection.
- *6 R, S, T, , DL1, DL2, RB1, RB2, RB4 (100A, 150A only), U, V, W are high-voltage circuits, all other lines are low-voltage. Ensure sufficient distance between the high- and low-voltage circuits.
- *7 Use a TIA category 5e or better shielded twisted pair (STP) cable.
- *8 Nothing should connect with CN2-3 and 4pin.
- *9 It is recommend to use a ground fault interrupter conforming to the UL, IEC and EN standards. Do not wire the S phase for a single-phase power amplifier.
- *10 External power is to be supplied by user.
- *11 CN2 is a Safe Torque Off function connector. If it is not connected to the safety device to enable the Safe Torque Off function to work, the servo does not turn on (the motor is not energized).
- *12 Do not connect anything to CN2-20~25.
- *13 When usgin pulse encoder in semi closed system, connect it to EN2.

Dimensions

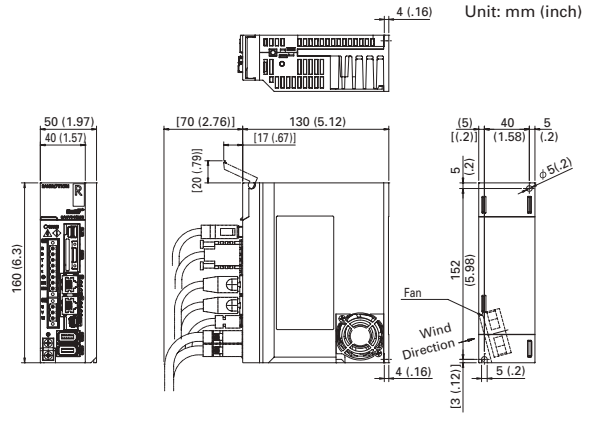
■ RS2A01A2HA5

Mass: 0.75 kg (1.65 lb)



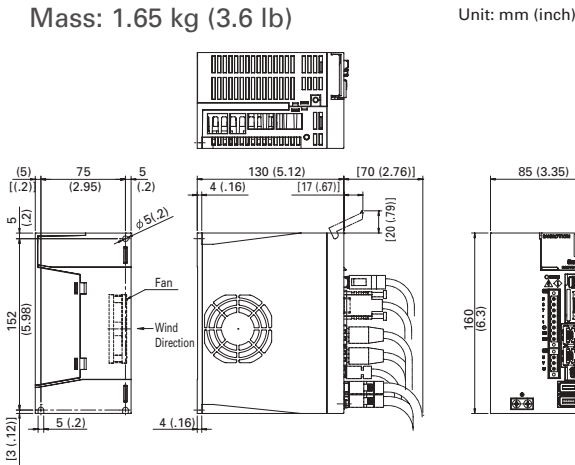
■ RS2A03A2HA5

Mass: 0.95 kg (2.1 lb)



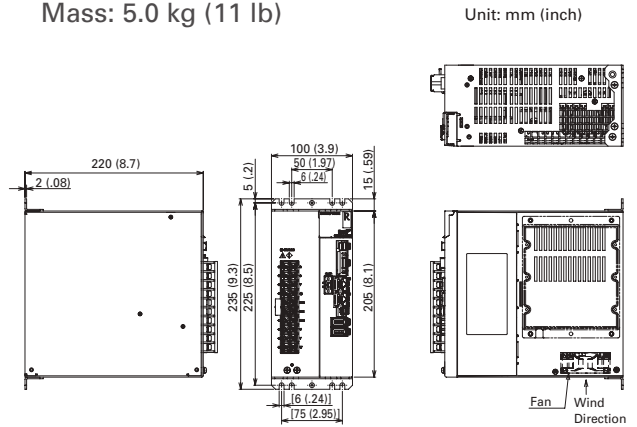
■ RS2A05A2HA5

Mass: 1.65 kg (3.6 lb)



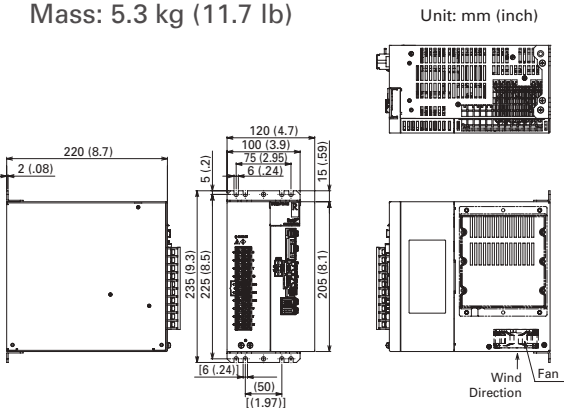
■ RS2A10A2HA5

Mass: 5.0 kg (11 lb)



■ RS2A15A2HA5

Mass: 5.3 kg (11.7 lb)



Analog DC Input Type Servo Amplifier



Specifications

Control function	Position control	
Main circuit power	48 VDC \pm 10% (Note 1)	
Control circuit power	5 VDC \pm 5% (Note 2)	
Environment	Ambient temperature	0 to +40°C (Note 3)
	Storage temperature	-20 to +65°C
	Operation/Storage humidity	Below 90% RH (no condensation)
	Elevation	Below 1000 m
	Vibration	4.9 m/s ² Frequency range 10 to 55 Hz tested for 2 hours in each direction X.Y.Z
	Shock	19.6 m/s ²
Structure	Built-in tray type power supply	

Note 1) Enter the voltage within specification ranges to the power source voltage of the main circuit.

Note 2) The control power source is used as the power source to the encoder.

Even if the voltage input is within the specification field, when the wiring is long to the encoder, the voltage may decrease as a result of the wiring and the encoder may not operate properly.

Note 3) Use within the operation ambient temperature range.

Performance

Speed control range	1:5000 (Internal speed command)
Frequency characteristics	1200 Hz

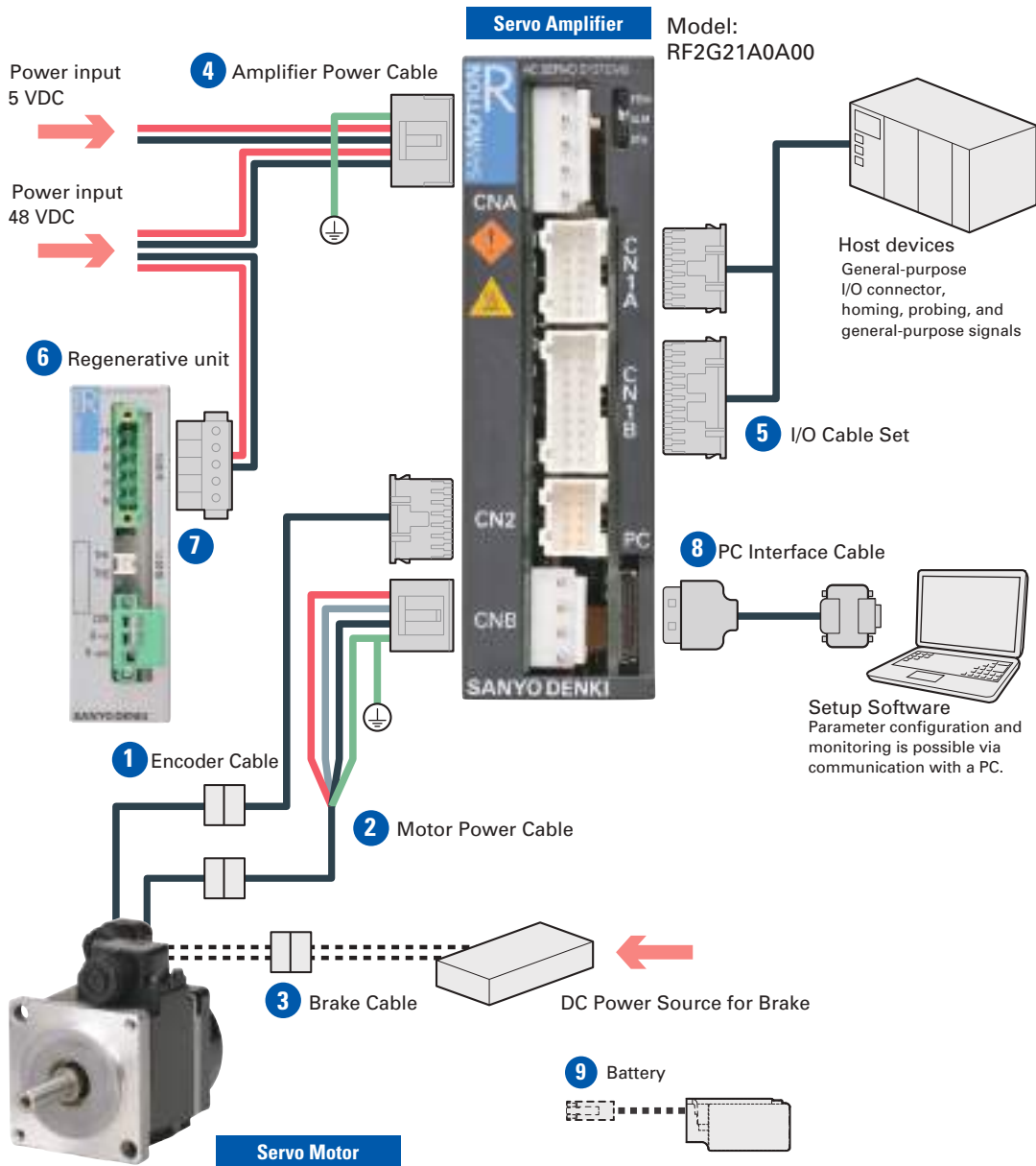
Built-in Functions

Protection functions	Over current, Current detection error, Overload, Amplifier overheating, External overheating, Over voltage, Main circuit power low voltage, Control power supply low voltage, Encoder error, Over velocity, Velocity control error, Velocity feedback error, Excessive position, Position command pulse error, Built-in memory error, Parameter error
LED display	Status display, Alarm display, Power-supplied-state display
Dynamic brake circuit	Built-in

Input Command

Position command	Maximum input pulse frequency	5M PPS (reverse rotation + normal rotation pulse and code + pulse) 1.25M PPS (90° phase difference, two-phase pulse)
	Input pulse configuration	Normal rotation + reverse rotation command pulse, code + pulse train command, or 90° phase difference, two-phase pulse train command
	Electronic gear	N/D (N=1 through 2097152, D=1 through 2097152), $1/2097152 \leq N/D \leq 2097152$
Sequence input signal	Servo-on, alarm reset, torque limit, encoder-clear, forward rotation prohibit, reverse rotation prohibit, command prohibit, external trip, forced discharge, emergency stop, gain switching, internal velocity setting, etc.	
Sequence output signal	Servo-ready, power-on, servo-on, holding brake timing, torque and velocity limited state, low velocity, velocity attainment, velocity-matching, zero-velocity, command acceptable, status of gain switch, velocity loop proportional control state, control mode switching state, forward OT, reverse OT, warning, alarm code (3 bits), etc.	
Position output signal	N/32768 (N=1 through 32767), 1/N (N=1 through 64) or 2/N (N=2 through 64)	

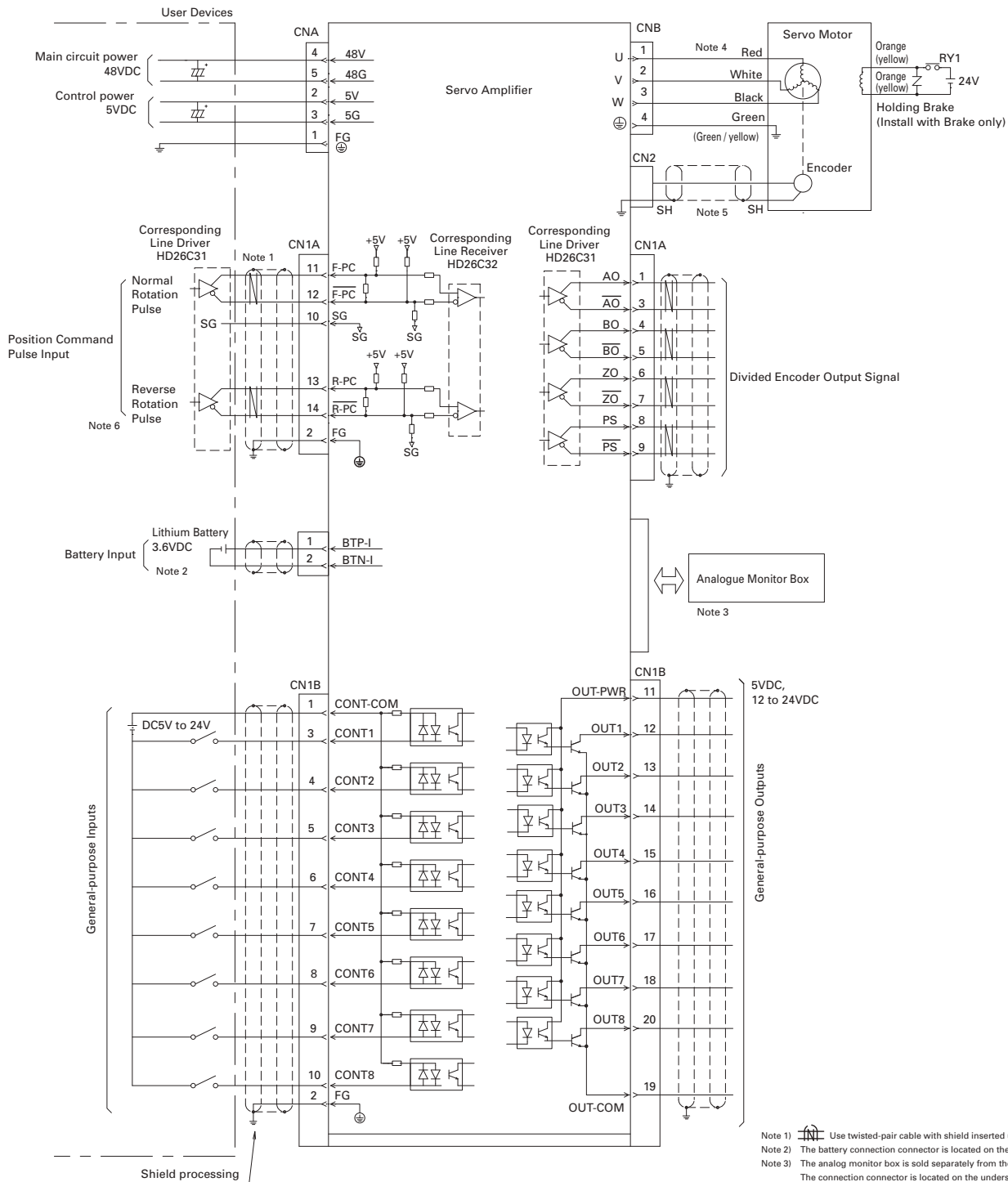
System Configuration



Item	Parts Number	Description
✓ 1	Encoder Cable: 10 ft EEXTGABS2410FT	
✓ 2	Motor Power Cable: 10 ft MEXTG1810FT	
3	Brake Cable: 10 ft MEXTGBRK2010FT	Only for Brake Equipped Motor
✓ 4	Amplifier Power Cable: 2 m AL-00745943-01	
✓ 5	I/O Cable Set, for CN1A and CN1B AL-00745949-01	
6	Regenerative Unit RF1BB00	No need if I/O Cable (5) is selected
7	Connector [CNA] AL-00329461-01	
✓ 8	PC Interface Cable AL-00490833-01	Communication with SANMOTION MOTOR Setup Software
9	Battery AL-00494635-01	

To build a complete system, you need to have checked items.

Wiring Diagram



External power sources must be supplied by user.

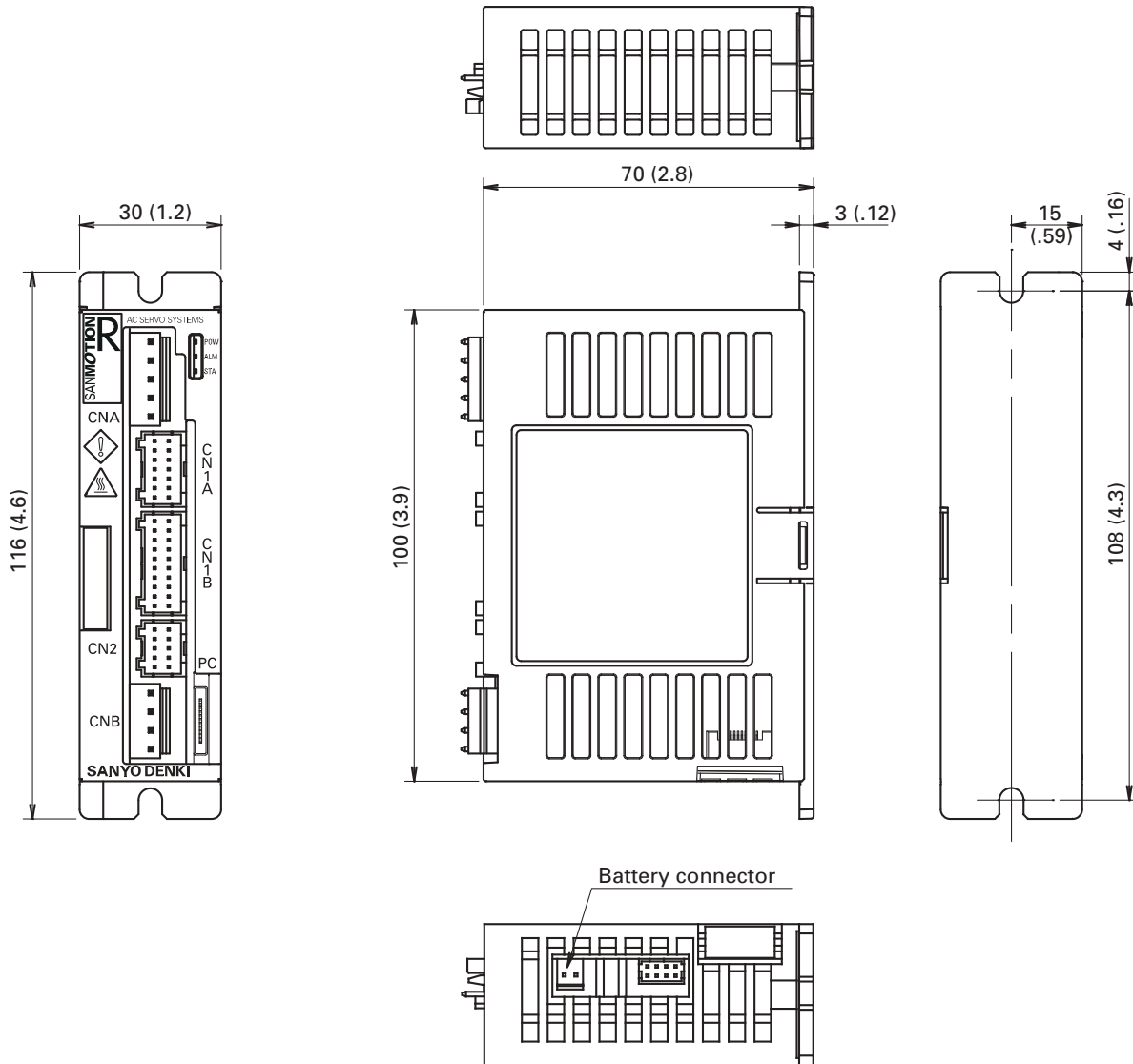
- Note 1) Use twisted-pair cable with shield inserted under jacket.
- Note 2) The battery connection connector is located on the underside of the amplifier.
- Note 3) The analog monitor box is sold separately from the servo amplifier. The connection connector is located on the underside of the amplifier.
- Note 4) The motor-side connection depends on the motor specification. Red, white, black, green, orange tags indicate lead types for the motor power lines and brake wires.
- Note 5) Refer to the encoder connection diagram in the instruction manual.
- Note 6) Connect the SG (signal ground) between the servo amplifier and equipment.

Dimensions

RF2G21A0A00

Mass: 0.23 kg (0.51 lb)

Unit: mm (inch)



EtherCAT Interface DC Input Type Servo Amplifier



Specifications

Amplifier Model	RS2K04A2HA5	RS2J04A2HA5
Control function	Position control/Speed control/Torque control (Parameter changeover)	
Main circuit power	48 VDC \pm 10%	24 VDC \pm 10%
Control circuit power	24 VDC \pm 10%	
Environment	Ambient temperature	0 to + 40°C
	Storage temperature	-20 to + 65°C
	Operation/Storage humidity	Below 90% RH (no condensation)
	Elevation	Below 1000 m
	Vibration	5 m/s ² Frequency range 10 to 55 Hz tested for 2 hours in each direction X.Y.Z
	Shock	20 m/s ²
Structure	Built-in tray type power supply	

Performance

Speed control range	1:5000 (Internal speed command)
Frequency characteristics	800 Hz

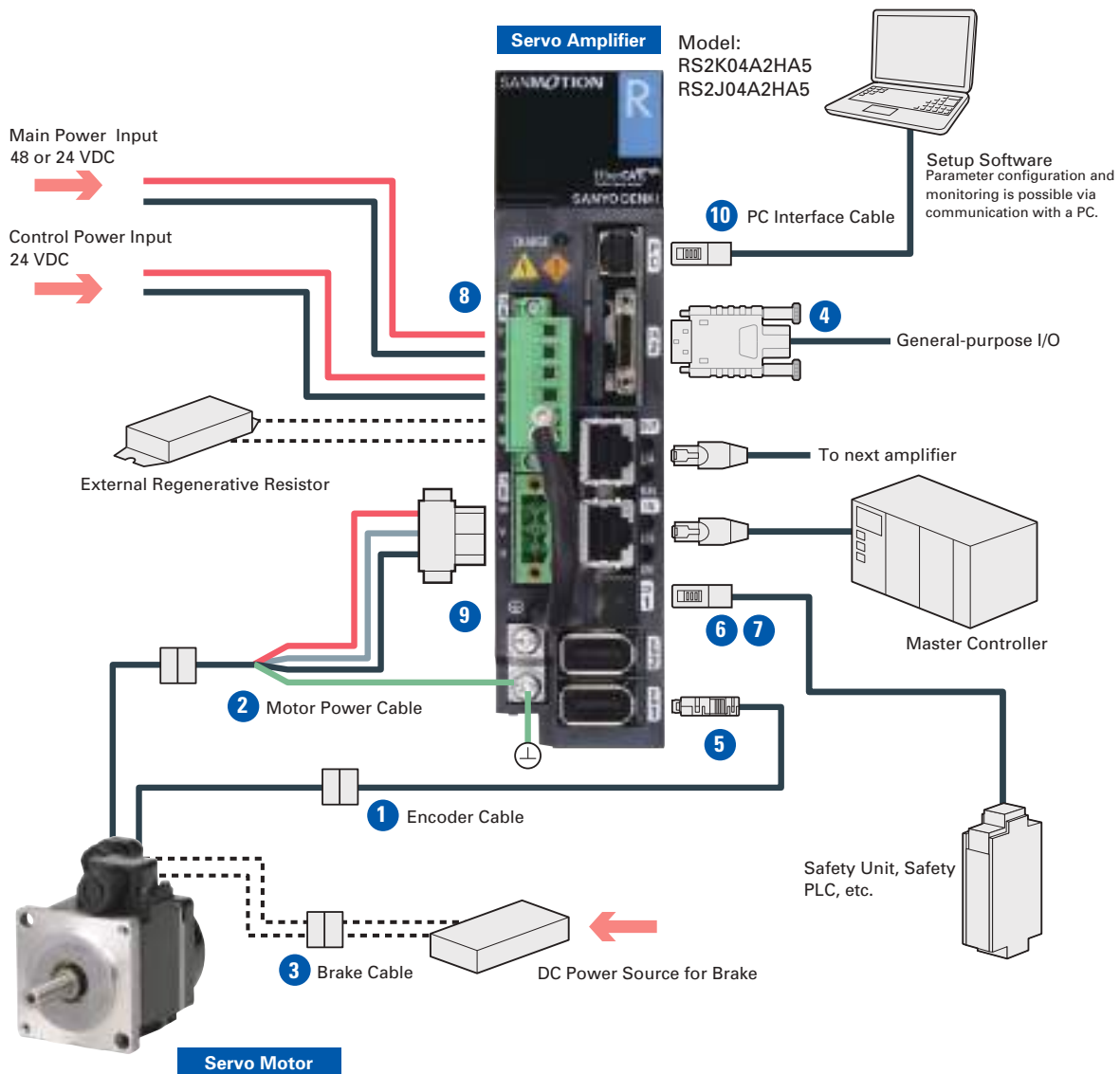
Built-in Functions

Protection functions	Over current, Current detection error, Over load, Regeneration error, Magnetic pole position estimation error, Amplifier overheating, External overheating, Over voltage, Main circuit power low voltage, Main circuit power supply open phase, Control power supply low voltage, encoder error, Over speed, Speed control error, Speed feedback error, Excessive position, Position command error, Built-in memory error, Parameter error.
LED display	Status display, Monitor display, Alarm display, Test operation, Adjustment mode
Dynamic brake circuit	Built-in
Regeneration process circuit	Built-in
Monitor	Speed monitor (VMON) 2.0V \pm 10% (at 1000 min ⁻¹) Torque monitor (TCMON) 2.0V \pm 10% (at 100%)

EtherCAT Interface Specifications

Physical layer	IEC61158-2 IEEE802.3u 100BASE-TX
Data link layer	IEC61158-3,-4 Type12
Application layer	IEC61158-5,-6 Type12
Device profile	IEC61800-7 Profile type1(CiA402) • CoE (CANopen over EtherCAT) • FoE (File access over EtherCAT)
Communication port	RJ45 connector (2 ports)
Baud rate	100 Mbps (Full duplex)
Max. No. of nodes	65535 nodes
Transmission distance/topology	Max. 100 m (between nodes)/Daisy-chain
Cable	Twisted-pair CAT5e (straight or cross)
Communication object	SDO (Service Data Object) PDO (Process Data Object)
PDO length	Output: Max. 20 objects, Input: Max. 20 objects Total: Max. 40 Bytes
Synchronization function	SYNC0, SYNC1 Event Synchronization Mode (DC Mode), Synchronous with SM2 Event Mode, Asynchronous Mode
Operation mode	Profile Position Mode, Profile Velocity Mode, Profile Torque Mode, Homing Mode, Cycle Sync Position Mode, Cycle Sync Velocity Mode, Cycle Sync Torque Mode
LED indicator	Port 0/1 link display, RUN display, error display
General Input/Output	6 inputs, 2 outputs (8 total)

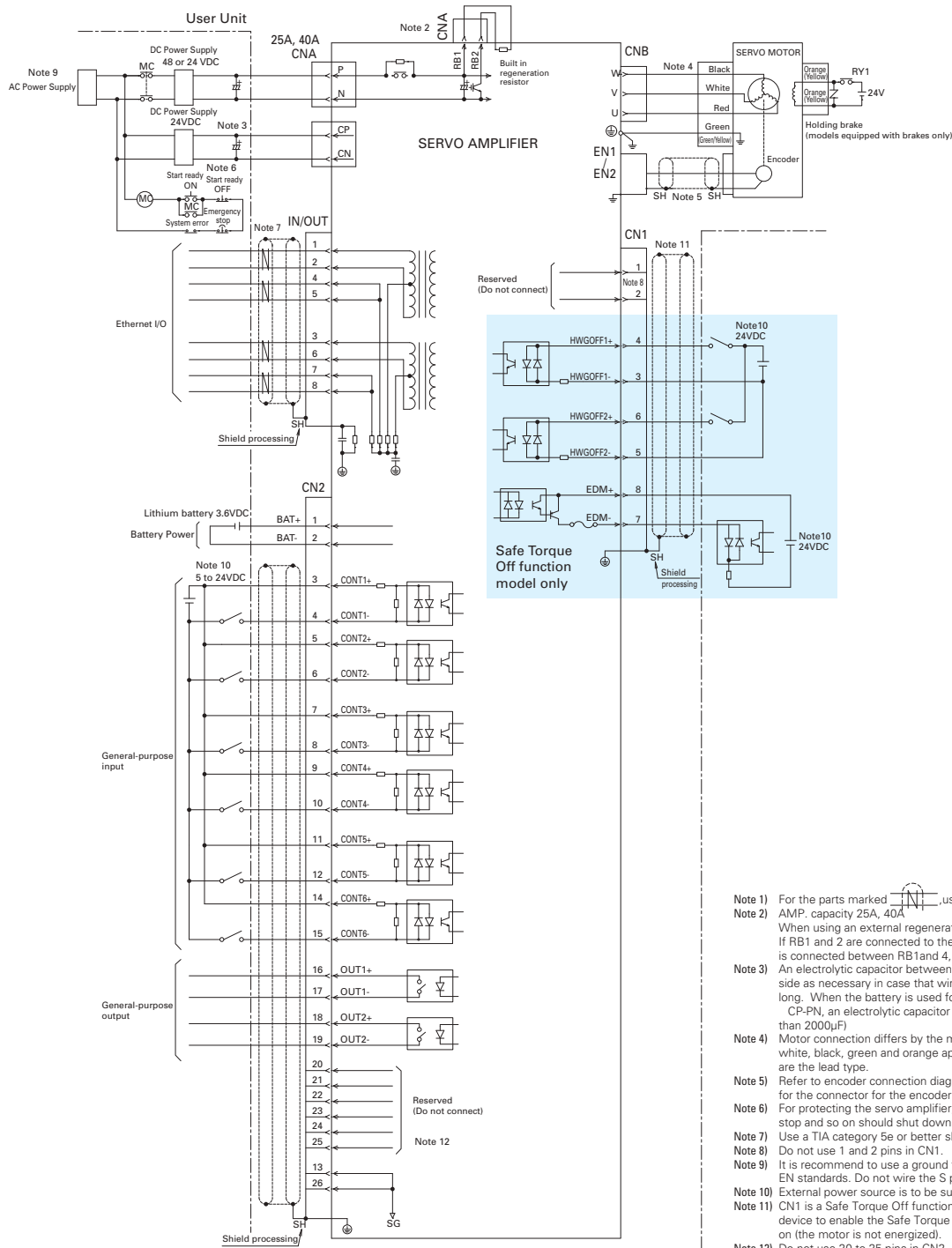
System Configuration




Item	Parts Number	Description
✓ 1	Encoder Cable: 10 ft EEXTKABS2410FT	
✓ 2	Motor Power Cable: 10 ft MEXTK1810FT	
3	Brake Cable: 10 ft MEXTBRK2010FT	Only for Brake Equipped Motor
4	I/O Connector [CN2] AL-00842383	
5	Connector [EN1] AL-00632607	No need if Encoder Cable (1) is selected
✓ 6	Connector [CN1] AL-00718252-01	For STO function, no need if connector (7) is selected
✓ 7	Connector [CN1] AL-00849548-02	For STO function cancellation, no need if connector (6) is selected
8	Connector [CNA] AL-Y0010913-01	Supplied with Amplifier
9	Connector [CNB] AL-Y0004079-01	No need if Motor Power Cable (2) is selected
10	PC Interface Cable AL-00689703-01	Communication with SANMOTION MOTOR Setup Software

To build a complete system, you need to have checked items.

Wiring Diagram



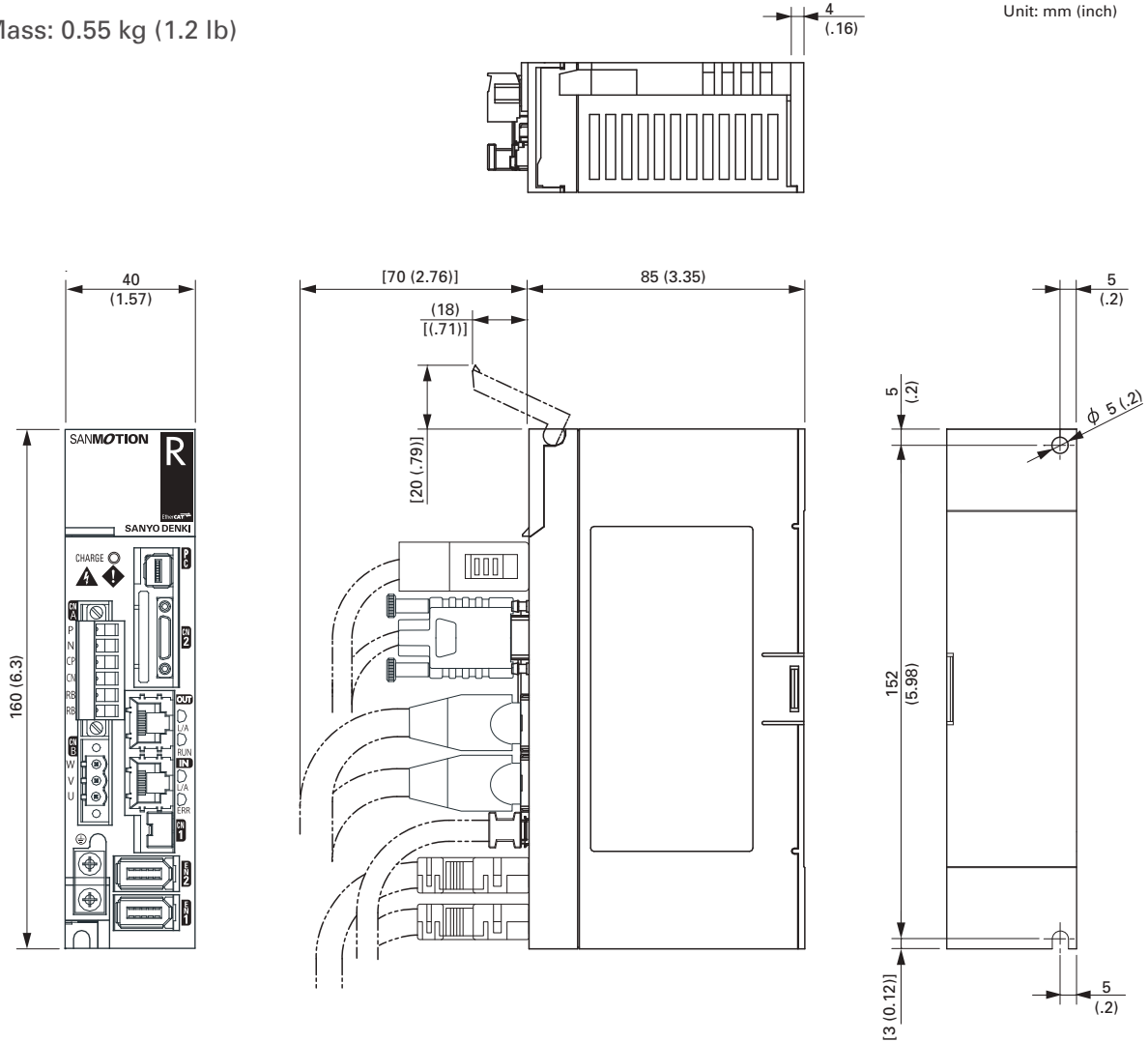
- Note 1) For the parts marked , use a twisted pair shielded cable.
- Note 2) AMP, capacity 25A, 40A
When using an external regeneration resistor, connect it between RB1 and 2. If RB1 and 2 are connected to the internal amplifier's resistor, or if a shorting bar is connected between RB1 and 4, first disconnect them.
- Note 3) An electrolytic capacitor between P-N and CP-CN is installed to the amplifier side as necessary in case that wiring from DC power source to the amplifier is long. When the battery is used for the DC power source between P-N and CP-PN, an electrolytic capacitor has to be installed. (Recommendation: more than 2000μF)
- Note 4) Motor connection differs by the motor specifications. The indications of red, white, black, green and orange apply when the motor power and brake lines are the lead type.
- Note 5) Refer to encoder connection diagram in the instruction manual for the wiring for the connector for the encoder connection.
- Note 6) For protecting the servo amplifier, ensure the power-off system like emergency stop and so on should shut down the DC power input.
- Note 7) Use a TIA category 5e or better shielded twisted pair (STP) cable.
- Note 8) Do not use 1 and 2 pins in CN1.
- Note 9) It is recommend to use a ground fault interrupter conforming to the UL, IEC and EN standards. Do not wire the S phase for a single-phase power amplifier.
- Note 10) External power source is to be supplied by user.
- Note 11) CN1 is a Safe Torque Off function connector. If it is not connected to the safety device to enable the Safe Torque Off function to work, the servo does not turn on (the motor is not energized).
- Note 12) Do not use 20 to 25 pins in CN2.

Dimensions

■ RS2K04A2HA5

■ RS2J04A2HA5

Mass: 0.55 kg (1.2 lb)



EtherCAT Interface DC Input Type Multi Axis Servo Amplifier



Specifications

Amplifier Model	RF2J14A0HL5	RF2K24A0HL5	RF2J24A8HL5
Combined Motor	2.4 W	20 to 200 W	Linear actuator
Total 4 axes output limitation	9.6 W	300 W	120 W
Control function	Position control/Speed control/Torque control (Parameter switching)		
Main circuit power (Note 1)	48/24 VDC±10% (Note 1)		
Control circuit power	24 VDC±10% (Note 1)		
Environment	Ambient temperature	0 to +55°C	
	Storage temperature	-20 to +65°C	
	Operation/Storage humidity	Below 90% RH (no condensation)	
	Elevation	1000 m or lower	
	Vibration	4.9 m/s ² freq. range 10 to 55 Hz in X, Y, and Z direction each, within 2 hours	
Shock	19.6 m/s ²		
Structure	External tray type DC power supply		

Note 1) Always use input voltage within the specification range for the main circuit power supply.

Performance

Speed control range	1:5000
Frequency characteristics	800 Hz

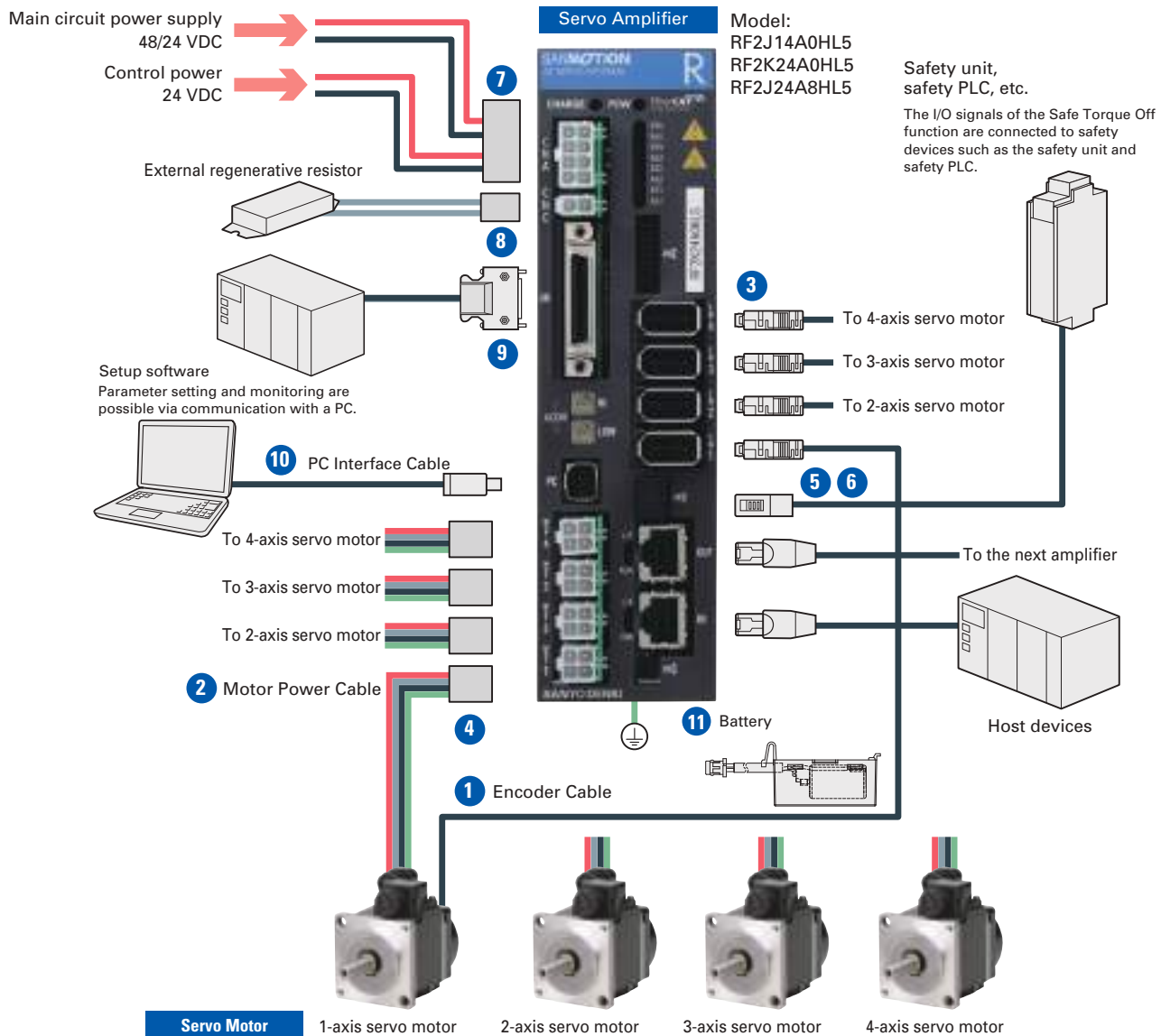
Built-in Functions

Protection functions	Over current, Current detection error, Overload, Regeneration error, Overheating, External disorder, Over voltage, Main circuit power low voltage, Encoder error, Over speed, Speed control error, Speed feedback error, Unreasonable position deviation, Position command pulse error, Built-in memory error, Parameter error
LED display	Alarm display (red), status display (green), control power establishment (green), main circuit charge (red), communication link (green) × 2, communication RUN (green), communication Error (red)
Regeneration process	External type (Connect to the CNC connector, if a regenerative resistor is required.)

EtherCAT interface specifications

Physical layer	IEC61158-2 IEEE802.3u 100BASE-TX
Data link layer	IEC61158-3,-4 Type12
Application layer	IEC61158-5,-6 Type12
Device profile	IEC61800-7 Profile type1(CiA402) • CoE (CANopen over EtherCAT) • FoE (File access over EtherCAT)
Communication port	RJ45 connector (2 ports)
Baud rate	100 Mbps (Full duplex)
Max. No. of nodes	65535 nodes
Transmission distance/topology	Max. 100 m (between nodes)/Daisy-chain
Cable	Twisted-pair CAT5e (straight or cross)
Communication object	SDO (Service Data Object) PDO (Process Data Object)
Synchronization types	SYNC0, SYNC1 Event Synchronization Mode, Asynchronous Mode
Operation mode	Profile Position Mode, Profile Velocity Mode, Profile Torque Mode, Homing Mode, Cycle Sync Position Mode, Cycle Sync Velocity Mode, Cycle Sync Torque Mode
LED indicator	Port 0/1 link display, RUN display, error display
General Input/Output	Input: 8 points (total), Output: 2 points / axis (8 points in total)

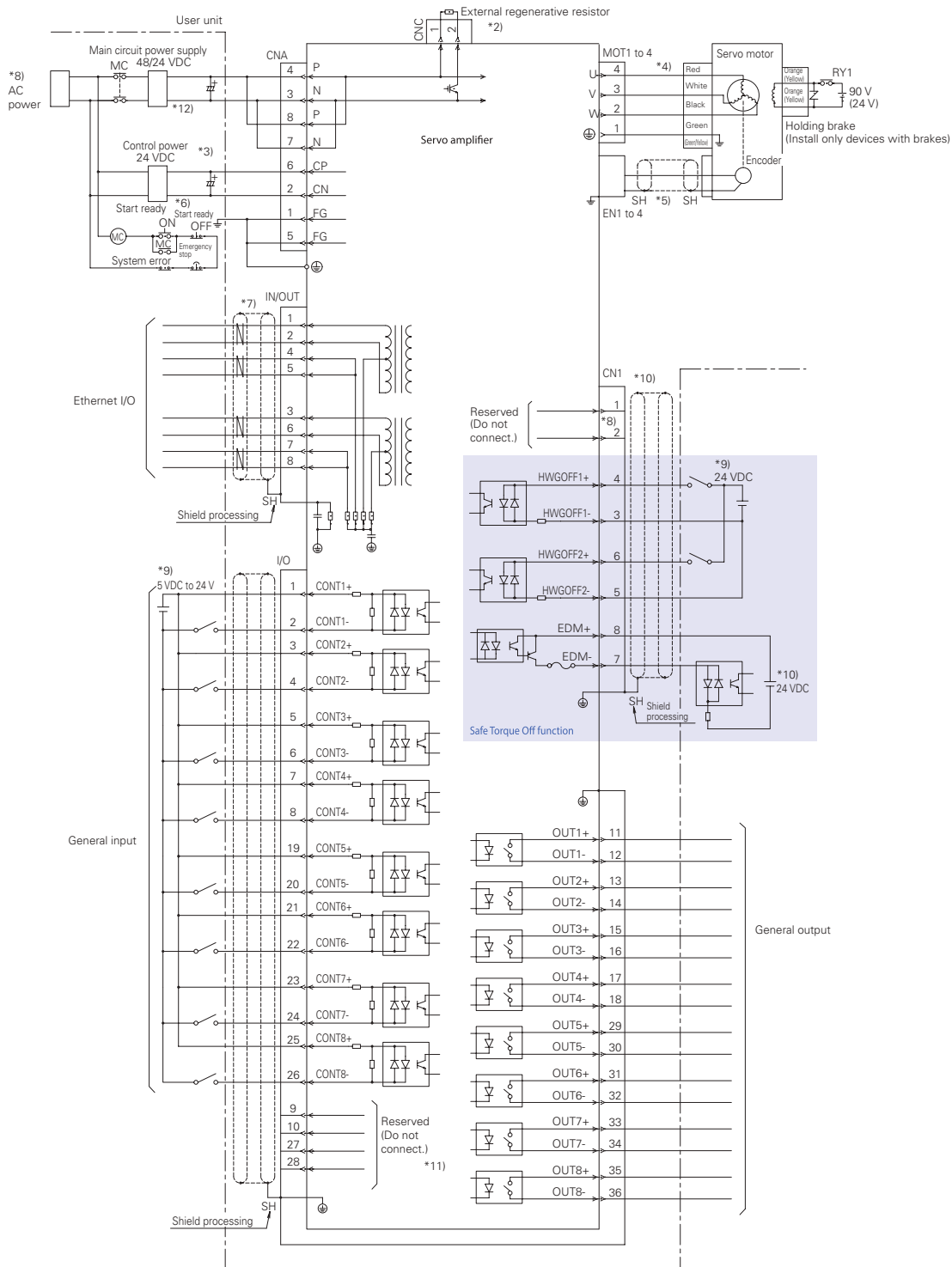
System Configuration



Item	Parts Number	Description
✓ 1	EEXTKABS2410FT 1026-107008 1026-107024	Encoder Cable: 10 ft For 1027-107013 and 1027-107014 motor For 1028-107023 motor
✓ 2	1026-107009 1026-107025	Motor Power Cable: 10 ft For 1028-107023 motor
3	AL-00632607	Connector [EN1 to 4] No need if Encoder Cable (1) is selected
4	AL-00922660	Connector [MOT1 to 4] No need if Motor Cable (2) is selected
5	AL-00718252-01	Connector [CN1] For STO, no need if safety device is not installed
6	AL-00849548-02	Connector [CN1] For STO cancellation, supplied with Amplifier.
✓ 7	AL-00922656	Connector [CNA] For amplifier power supply
8	AL-00922658	Connector [CNC] For regenerative resistor connection
9	AL-00922662	Connector [I/O] For general I/O signal
10	AL-00490833-01	PC Interface Cable Communication with SANMOTION MOTOR Setup software
11	AL-00880402-01	Battery [CN3] Used when using a battery-backup method absolute encoder

To build a complete system, you need to have checked items.

Wiring Diagram



*1 Use a twisted pair shielded cable.

*2 The servo amplifier contains an internal regenerative process circuit. If DC voltage increases due to the regenerative power occurring when the motor is stopped, connect a regenerative resistor.

*3 • When the wiring from the DC power supply to the servo amplifier is long, install an electrolytic capacitor on the amplifier side between P-N and CP-CN if necessary.
• When using a battery for the DC power supply between P-N and CP-CN, always install an electrolytic capacitor (2000 µF or more).

*4 Motor connection differs by the motor specifications. The indications of red, white, black, green and orange apply when the motor power and brake lines are the lead type.

*5 Refer to the encoder connection figure for the wiring of the connector for the encoder connection.

*6 Turn the power off as a way to shut off the main circuit power for the protection of the servo amplifier during emergency stops.

*7 Use a shielded twisted pair cable (STP) with Category 5e (TIA standards) or higher.

*8 An earth leakage circuit breaker conforming to UL and either IEC or EN standards is recommended.

*9 The external power supply is to be arranged by the customer.

*10 CN1 is a connector for the Safe Torque Off function. Connect the connector to the safety function to make the Safe Torque Off function active. Otherwise, the servo will not be turned on (no power to the motor).

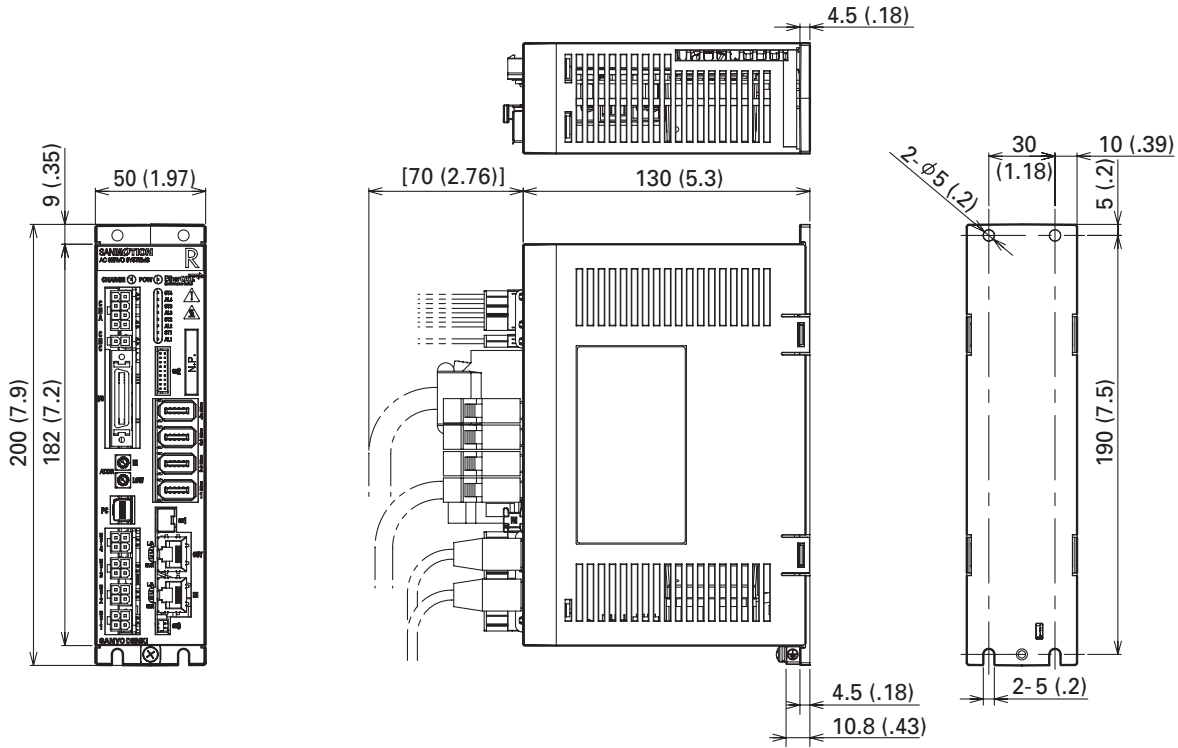
*11 Do not connect anything to I/O-9, 10, 27 and 28.

*12 Contact us for main circuit power supply 24 VDC.

Dimensions

- **RF2J14A0HL5** Mass: 0.75 kg (1.65 lb)
- **RF2K24A0HL5** Mass: 0.8 kg (1.76 lb)
- **RF2J24A8HL5** Mass: 0.75 kg (1.65 lb)

Unit: mm (inch)



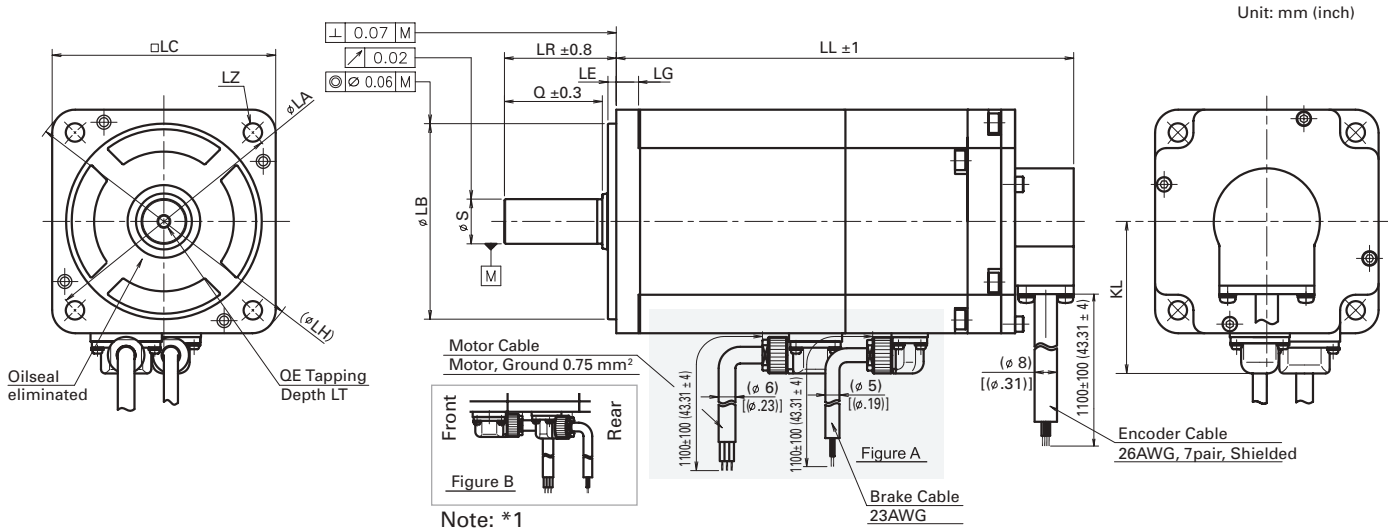
Brake Equipped Motors

Motor Model			R2FA04003F	R2FA04005D	R2EA04008F	R2GA04008D	R2AA04010F
Rated Power			30 W	50 W	80 W	80 W	90 W
Power Supply			24 VDC	24 VDC	100 VAC	48 VDC	200 VAC
Brake	Input Voltage	VDC	24 ±10%	24 ±10%	24 ±10%	24 ±10%	24 ±10%
	Input Current	Amp	0.27	0.27	0.27	0.27	0.27
	Minimum Static Friction Torque	N·m	0.32	0.32	0.32	0.32	0.32
		lb·in	2.8	2.8	2.8	2.8	2.8
	Inertia	x10 ⁻⁴ kg·m ²	0.0078	0.0078	0.0078	0.0078	0.0078
		lb·in ²	0.0027	0.0027	0.0027	0.0027	0.0027
	Mass	kg	0.27	0.27	0.27	0.27	0.27
lb		0.60	0.60	0.60	0.60	0.60	

Motor Model			R2FA06007R	R2EA06020F	R2GA06020D	R2AA06040F	R2AA08075F
Rated Power			70 W	200 W	200 W	400 W	750 W
Power Supply			24 VDC	100 VAC	48 VDC	200 VAC	200 VAC
Brake	Input Voltage	VDC	24 ±10%	24 ±10%	24 ±10%	24 ±10%	24 ±10%
	Input Current	Amp	0.27	0.32	0.32	0.32	0.37
	Minimum Static Friction Torque	N·m	0.36	1.37	1.37	1.37	2.55
		lb·in	3.2	12.1	12.1	12.1	22.6
	Inertia	x10 ⁻⁴ kg·m ²	0.06	0.06	0.06	0.06	0.25
		lb·in ²	0.021	0.021	0.021	0.021	0.085
	Mass	kg	0.36	0.39	0.35	0.39	0.89
lb		0.80	0.86	0.78	0.86	2.0	

Motor Model			R2AAB8100H	R2AA13200D	R2AA22500L
Rated Power			1 kW	2 kW	5 kW
Power Supply			200 VAC	200 VAC	200 VAC
Brake	Input Voltage	VDC	24 ±10%	24 ±10%	24 ±10%
	Input Current	Amp	0.3	0.66	1.2
	Minimum Static Friction Torque	N·m	3.92	12	42
		lb·in	34.7	106	372
	Inertia	x10 ⁻⁴ kg·m ²	0.343	0.5	5.1
		lb·in ²	0.117	0.17	1.7
	Mass	kg	0.84	1.5	5.5
lb		1.9	3.3	12	

Incremental Encoder with Hall Sensor Equipped Motor



Dimensions

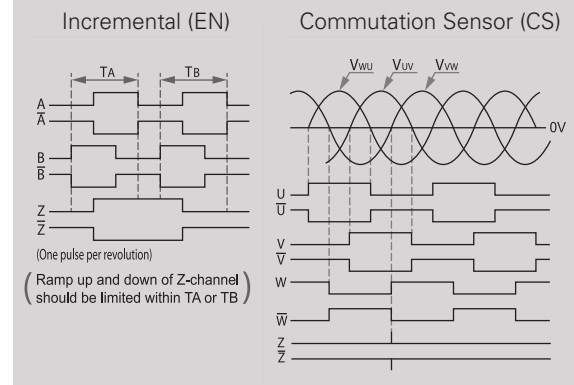
Unit: mm (inch)

P/N	LL	LG	KL	LA	LB	LE
R2AA04005FXK30M ^{*1}	68.5 (2.70)		34.4 (1.35)			
R2AA04005FCK30M ^{*1}	104.5 (4.11)	5	35.3 (1.39)	46	30 ⁰ _{-0.021}	2.5
R2AA04010FXK00M	84 (3.31)	(.2)	34.4 (1.35)	(1.81)	(1.18 ⁰ _{-0.00084})	(.1)
R2AA04010FCK00M	120 (4.72)		35.3 (1.39)			
R2AA06010FXK30M ^{*1}	78.2 (3.08)					
R2AA06010FCK30M ^{*1}	106.2 (4.18)					
R2AA06020FXK00M	89.2 (3.51)	6	44.6	70	50 ⁰ _{-0.025}	
R2AA06020FCK00M	117.2 (4.61)	(.24)	(1.76)	(2.76)	(1.97 ⁰ _{-0.001})	3
R2AA06040FXK00M	115.2 (4.54)					(.12)
R2AA06040FCK00M	143.2 (5.64)					
R2AA08075FXK00M	128.3 (5.05)	8	54.4	90	70 ⁰ _{-0.030}	
R2AA08075FCK00M	163.7 (6.44)	(.31)	(2.14)	(3.54)	(2.76 ⁰ _{-0.012})	

P/N	LH	LC	LZ	LR	S	Q	QE	LT
R2AA04005FXK30M ^{*1}								
R2AA04005FCK30M ^{*1}	56	40	2- ϕ 4.5					
R2AA04010FXK00M	(2.20)	(1.57)	(2- ϕ .18)	25	8 ⁰ _{-0.009}	20	N/A	N/A
R2AA04010FCK00M				(.98)	(.31 ⁰ _{-0.004})	(.79)		
R2AA06010FXK30M ^{*1}								
R2AA06010FCK30M ^{*1}								
R2AA06020FXK00M	82	60	4- ϕ 5.5					
R2AA06020FCK00M	(3.23)	(2.36)	(4- ϕ .22)	30	14 ⁰ _{-0.011}	25		
R2AA06040FXK00M				(1.18)	(.55 ⁰ _{-0.004})	(.98)	M5	12
R2AA06040FCK00M								(.47)
R2AA08075FXK00M	108	80	4- ϕ 6.6	40	16 ⁰ _{-0.011}	35		
R2AA08075FCK00M	(4.25)	(3.15)	(4- ϕ .26)	(1.57)	(.63 ⁰ _{-0.004})	(1.38)		

Encoder Specifications

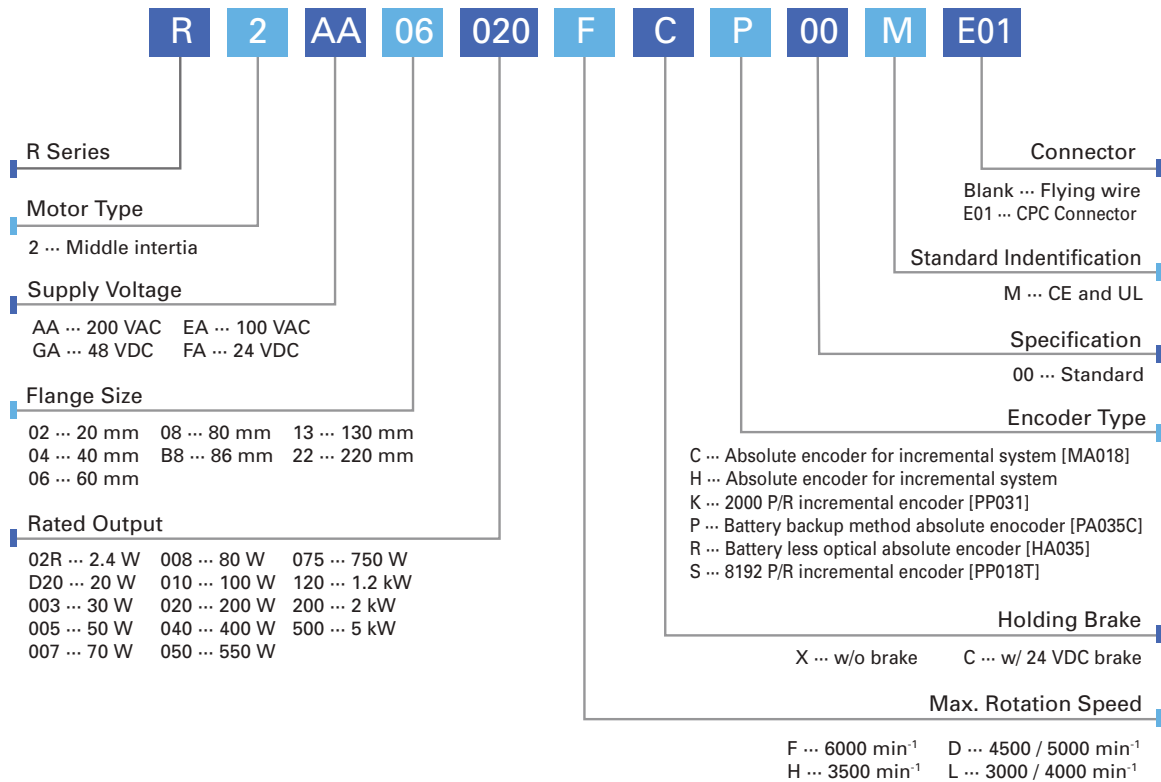
Item	Specification
Pulse per Revolution	2000 P/R
Channel	3 (A, B, Z Channel)
CS Pulse per Revolution	5 Pulse/Rate
CS Channel	3 (U, V, W Channel)
Frequency Response	0 to 7200 min ⁻¹
Input Voltage	+5 ±0.25 VDC
Input Current	300 mA Max.
Output Signal	Line Driver AM26LS31 Equivalent
Insulation Resistance	50 M Ω Min. 250 VDC between frame and lead wire (without shield wire)
Operating Temp. Range	0 to 85°C (Motor: 0 to 40°C)
Rotor Inertia	0.007 x 10 ⁻⁴ (kg·m ²)



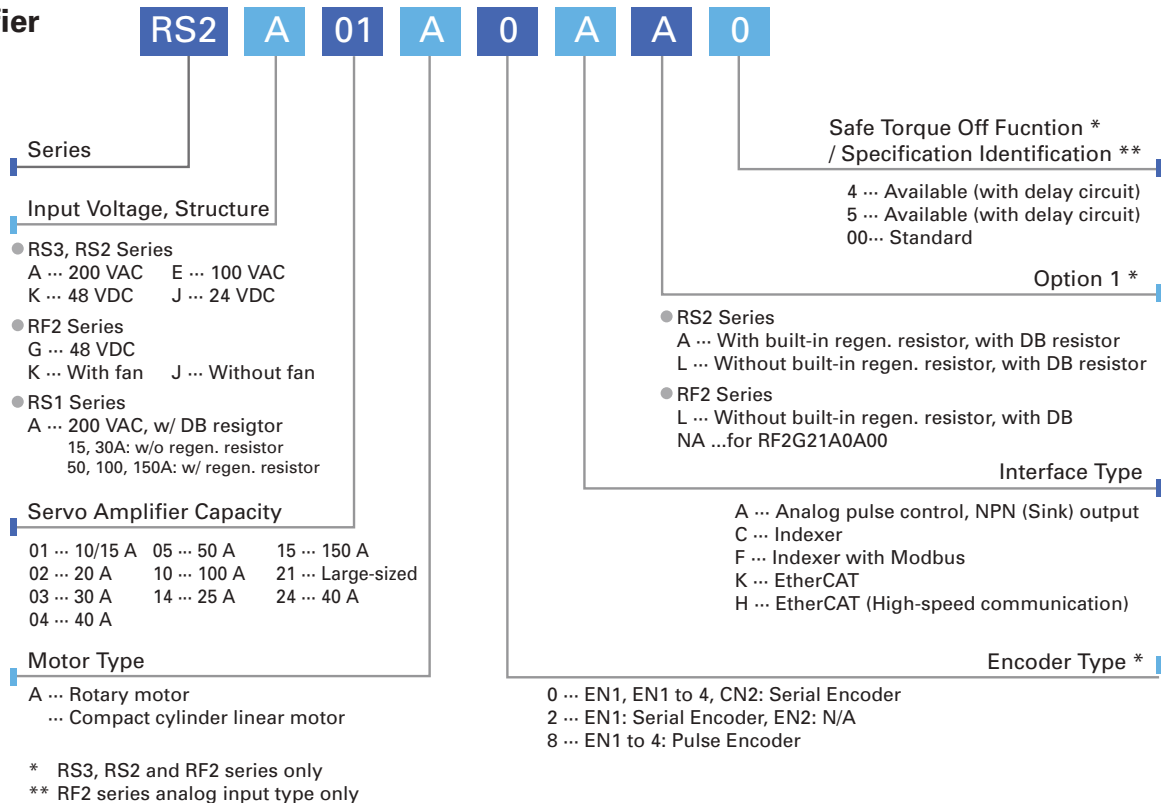
Note: *1 - The motor and encoder connectors of R2AA04005F and R2AA06010F are mounted toward the rear side of motor (Figure B). Other motos have Figure A.

Model Numbering System

Motor



Amplifier

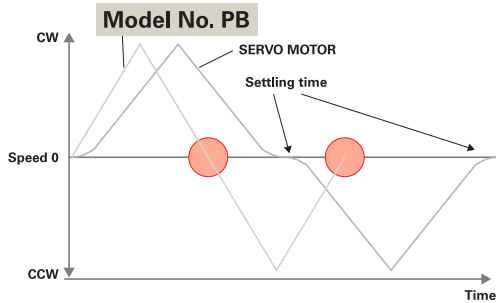


SANMOTION Model No. PB

CLOSED LOOP STEPPING SYSTEMS

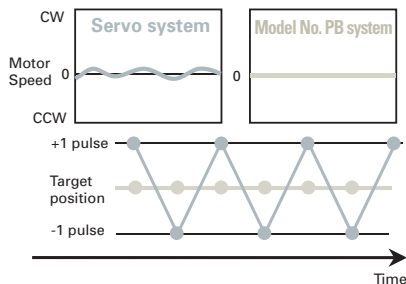
High Speed Positioning

High torque performance in the low speed range delivers a shorter positioning time for a short stroke/high hit rate application.



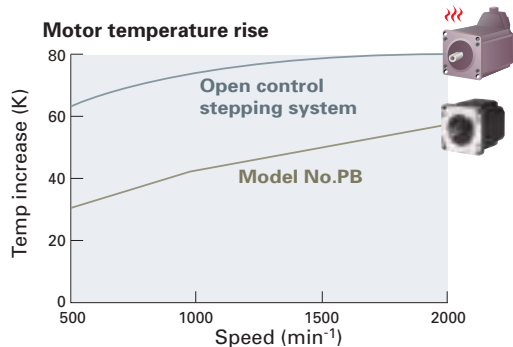
Zero Motor Hunting

PB system eliminates the usual motor hunting seen in servo systems; this is done by applying constant torque delivered to the motor which is a typical characteristic of stepping motor systems.



Improved Efficiency

Low motor heat generation is achieved by controlling the current to the motor which gives you optimum motor performance through all of the motors speed/torque range.



Indexer Model

- Homing Function
- Position Command Range: ± 31 bit
- Relative/Absolute Travel
- Point Mode
- Point data: Max. 128 points
- Program Mode
- Program size: Max. 1024 lines
- Point Loop/Conditional Jump
- Jogging Function
- Torque Limit Function
- Alarm/ $\pm OT$
- Holding Brake Control



Pulse Input Model

- Homing Function
- Jogging Function
- Pulse Input Frequency: Max. 400 kHz
- Resolution: 100 to 16,000 P/R
- Encoder Signal Output
- ALM Output
- In-position Output
- Holding Brake Control



EtherCAT Model

- Two Axis Control
- Homing Mode
- Position Mode (PP, CSV)
- Velocity Mode (PV, CSV)
- Jogging Function
- Holding Brake Control

EtherCAT
Conformance tested



Lineup

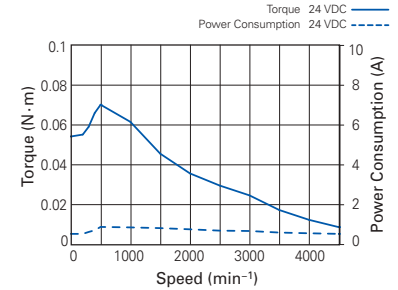
Flange Size	Motor Length		Max. Stall Torque	Model	Driver							Page		
	mm	inch			N·m	Indexer			Pulse Input		EtherCAT			
			Type R			Type M	Type P		Type M	Type E	Type E Multi-axis			
			100 VAC			200 VAC	24/48 VDC	100 VAC	200 VAC	24/48 VDC	24/48 VDC		24/48 VDC	
28 mm 1.1 inch	59.2	2.33	0.055	PBM281DXE50									72	
	58.5	2.30	0.05	PBM282FXE20			■			■			73	
	117.1	4.61	0.155	PBM284FXE20			■			■			74	
	117.1	4.61	0.115	PBM284FXE50							■		74	
	78.5	3.09	0.115	PBM285DXE50								■	75	
42 mm 1.7 inch	55.9	2.20	0.35	PBM423FXK30-M	■	■		■	■				76	
	57.6	2.27	0.39	PBM423FXE20			■			■				
	55.9	2.20	0.39	PBM423FXE50							■			
	55.9	2.20	0.39	PBM423DXK50								■		
60 mm 2.4 inch	68.8	2.71	1.3	PBM603FXK30-M	■	■		■	■				77	
	70.3	2.77	1.3	PBM603FXE20			■			■				
	68.8	2.71	1.3	PBM603FXE50							■			
	68.8	2.71	1.05	PBM603DXK50								■		
	100.8	3.97	1.9	PBM604FXK30-M	■	■		■	■					
	102.3	4.03	1.9	PBM604FXE20			■			■				
86 mm 3.4 inch	100.8	3.97	1.9	PBM604FXE50							■		78	
	100.8	3.97	1.85	PBM604DXK50								■		
	79.5	3.13	3.1	PBM861FXK30-M	■	■		■	■					79
	110	4.33	6.1	PBM862FXK30-M	■	■		■	■					80

Driver Command Type

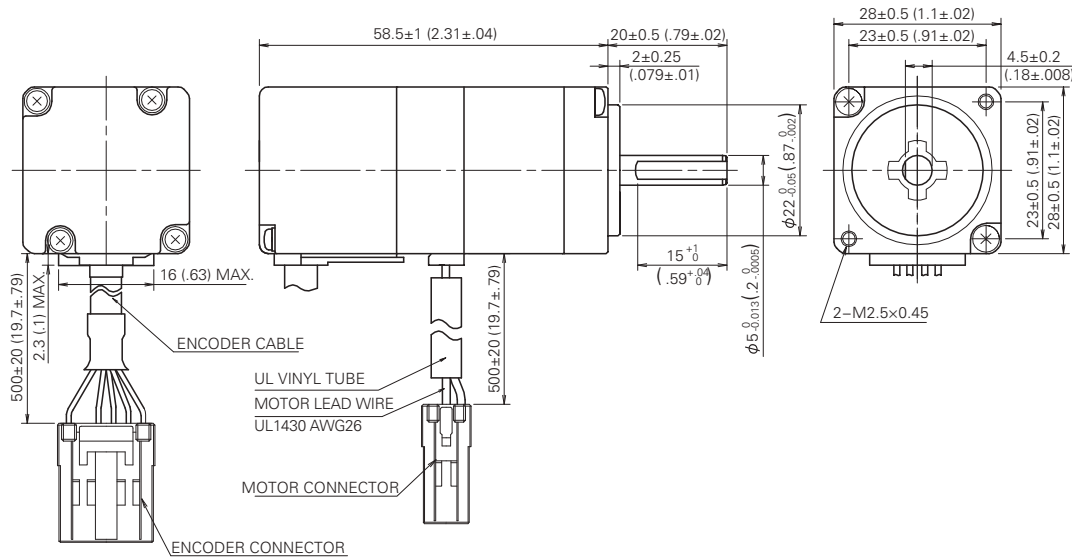
	Driver Type	
	AC Input	DC Input
Indexer Model Startup via I/O Signal Startup preset points or programs in the driver memory using the Input/Output signals. Startup via RS-485 Serial Communication Control by transmitting speed, acceleration/deceleration and distance data via serial communication.	Type R	Type M
Pulse Input Model Controlled by Pulse Stream Signal Motion is generated by responding to pulse input commands from a host device.	Type P	
EtherCAT Model Controlled through EtherCAT interface Motion command is sent through EtherCAT which is a field-bus system that allows 100Mbps high-speed and highly reliable communication.		Type E

**MOTOR
FLANGE SIZE****28 mm (1.10 inch)****MOTOR
LENGTH****58.5 mm (2.30 inch)****Specifications**

Power Supply	24/48 VDC	
Model	PBM282FXE20	
Driver Type	Type M	
Maximum Stall Torque	N·m	0.05
	oz·in	7.08
Rotor Moment of Inertia	$\times 10^{-4}$ kg·m ²	0.008
	oz·in ²	0.044
Incremental Encoder	2000 P/R (500 P/R x4)	
Motor Weight	kg	0.16
	lb	0.35
Operating Temperature	-10 to 40°C (16 to 104°F)	
Humidity	20 to 90% RH, no condensation	

Torque Curve● **PBM282FXE20****Dimension**

Unit: mm (inch)

**Applicable Driver**

Power Supply	Motor	Driver		
		Indexer	Pulse Input	EtherCAT
24/48 VDC	PBM282FXE20	PB3D003M200		

CLOSED LOOP STEPPING SYSTEMS

MOTOR FLANGE SIZE

42 mm (1.65 inch)

MOTOR LENGTH

55.9/57.6 mm (2.2/2.27 inch)

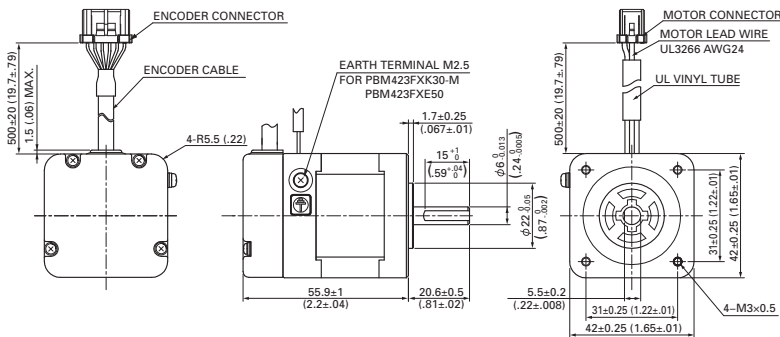
Specifications

Power Supply	100/200 VAC	24/48 VDC	24/48 VDC	24/48 VDC
Model	PBM423FXK30-M	PBM423FXE20	PBM423FXE50	PBM423DXK50
Driver Type	Type R, Type P	Type M	Type E	Type E Multi
Maximum Stall Torque	N·m	0.35	0.39	0.39
	oz·in	49.6	55.2	55.2
Rotor Moment of Inertia	$\times 10^{-4} \text{ kg}\cdot\text{m}^2$	0.056	0.056	0.056
	oz·in ²	0.31	0.31	0.31
Incremental Encoder	16000 P/R (4000 P/R x4)	2000 P/R (500 P/R x4)	500 P/R	16000 P/R (4000 P/R x4)
Motor Weight	kg	0.35	0.35	0.35
	lb	0.77	0.77	0.77
Operating Temperature	-10 to 40°C (16 to 104°F)			
Humidity	20 to 90% RH, no condensation			

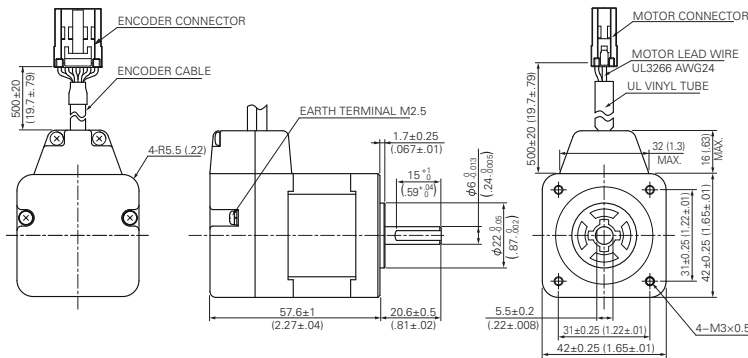
Dimension

PBM423FXK30-M
PBM423FXE50
PBM423DXK50

Unit: mm (inch)

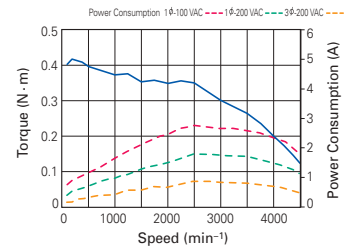


PBM423FXE20

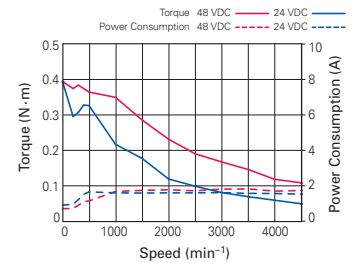


Torque Curve

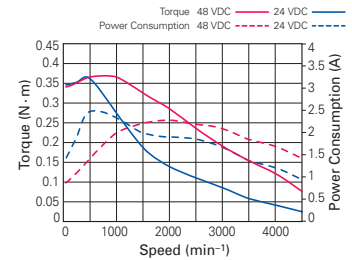
PBM423FXK30-M



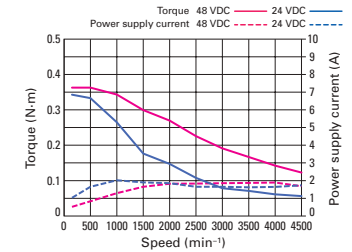
PBM423FXE20



PBM423FXE50



PBM423DXK50



Applicable Driver

Power Supply	Motor	Driver		
		Indexer	Pulse Input	EtherCAT
200 VAC	PBM423FXK30-M	PB4A002R301	PB4A002P301	
		PB4A002R300	PB4A002P300	
24/48 VDC	PBM423FXE20	PB3D003M200		
	PBM423FXE50			PB4D003E2D0
	PBM423DXK50			PB4D003E440

MOTOR FLANGE SIZE

60 mm (2.36 inch)

MOTOR LENGTH

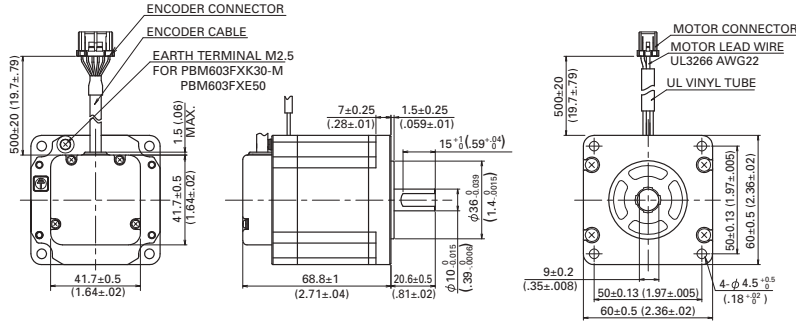
68.8/70.3 mm (2.71/2.77 inch)

Specifications

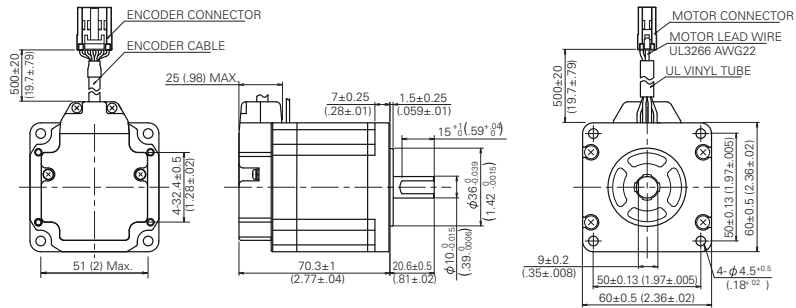
Power Supply		100/200 VAC	24/48 VDC	24/48 VDC	24/48 VDC
Model		PBM603FXK30-M	PBM603FXE20	PBM603FXE50	PBM603DXK50
Driver Type		Type R, Type P	Type M	Type E	Type E Multi
Maximum Stall Torque	N·m	1.3	1.3	1.3	1.05
	oz·in	184.1	184.1	184.1	148.7
Rotor Moment of Inertia	$\times 10^{-4}$ kg·m ²	0.4	0.4	0.4	0.4
	oz·in ²	2.2	2.2	2.2	2.19
Incremental Encoder		16000 P/R (4000 P/R x4)	2000 P/R (500 P/R x4)	500 P/R	16000 P/R (4000 P/R x4)
Motor Weight	kg	0.85	0.85	0.85	0.85
	lb	1.87	1.87	1.87	1.87
Operating Temperature		-10 to 40°C (16 to 104°F)			
Humidity		20 to 90% RH, no condensation			

Dimension

PBM603FXK30-M
PBM603FXE50
PBM603DXK50



PBM603FXE20

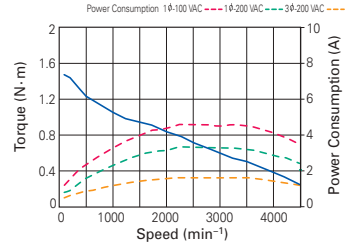


Applicable Driver

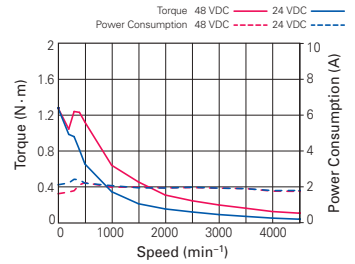
Power Supply	Motor	Driver		
		Indexer	Pulse Input	EtherCAT
200 VAC 100 VAC	PBM603FXK30-M	PB4A002R301	PB4A002P301	
		PB4A002R300	PB4A002P300	
24/48 VDC	PBM603FXE20	PB3D003M200		
	PBM603FXE50			PB4D003E2D0
	PBM603DXK50			PB4D003E440

Torque Curve

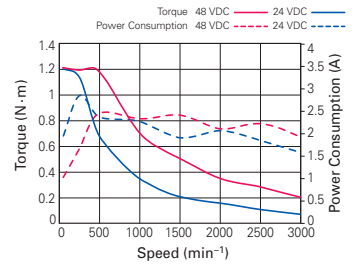
PBM603FXK30-M



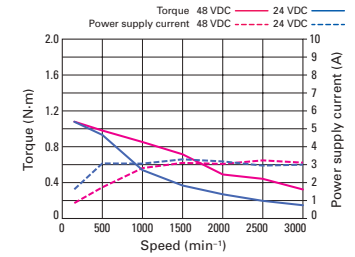
PBM603FXE20



PBM603FXE50



PBM603DXK50



CLOSED LOOP STEPPING SYSTEMS

MOTOR FLANGE SIZE

60 mm (2.36 inch)

MOTOR LENGTH

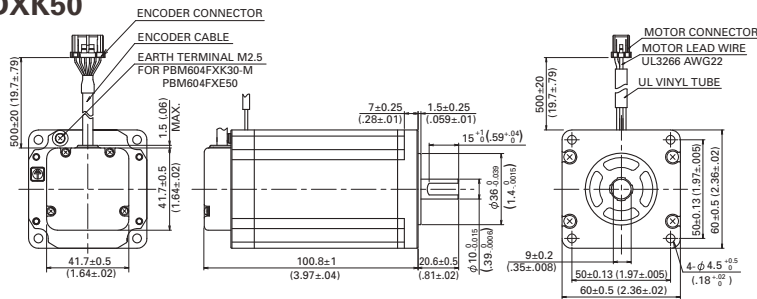
100.8/102.3 mm (3.97/4.03 inch)

Specifications

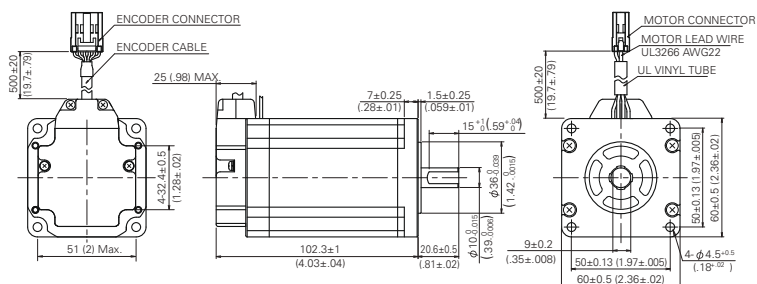
Power Supply	100/200 VAC	24/48 VDC	24/48 VDC	24/48 VDC
Model	PBM604FXK30-M	PBM604FXE20	PBM604FXE50	PBM603DXK50
Driver Type	Type R, Type P	Type M	Type E	Type E Multi
Maximum Stall Torque	N·m	1.9	1.9	1.9
	oz·in	269.1	269.1	269.1
Rotor Moment of Inertia	$\times 10^{-4}$ kg·m ²	0.84	0.84	0.84
	oz·in ²	4.6	4.6	4.6
Incremental Encoder	1600 P/R (4000 P/R x4)	2000 P/R (500 P/R x4)	500 P/R	1600 P/R (4000 P/R x4)
Motor Weight	kg	1.42	1.42	1.42
	lb	3.13	3.13	3.13
Operating Temperature	-10 to 40°C (16 to 104°F)			
Humidity	20 to 90% RH, no condensation			

Dimension

PBM604FXK30-M PBM604FXE50 PBM604DXK50



PBM604FXE20

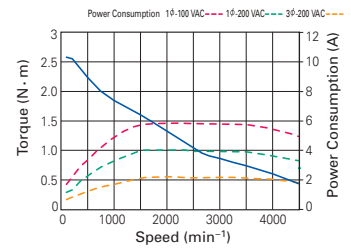


Applicable Driver

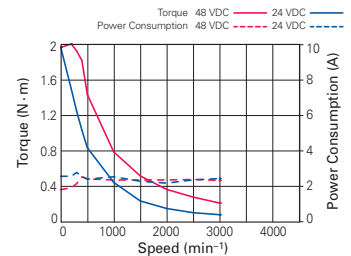
Power Supply	Motor	Driver		
		Indexer	Pulse Input	EtherCAT
200 VAC 100 VAC	PBM604FXK30-M	PB4A002R301 PB4A002R300	PB4A002P301 PB4A002P300	
	PBM604FXE20	PB3D003M200		
24/48 VDC	PBM604FXE50			PB4D003E2D0
	PBM604DXK50			PB4D003E440

Torque Curve

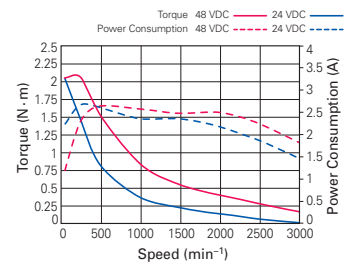
PBM604FXK30-M



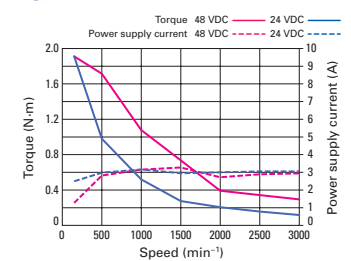
PBM604FXE20



PBM604FXE50



PBM604DXK50



**MOTOR
FLANGE SIZE**

86 mm (3.37 inch)

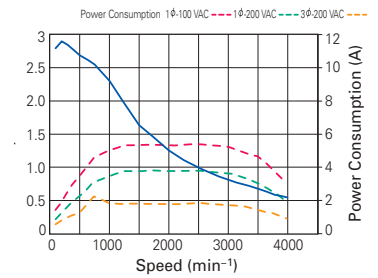
**MOTOR
LENGTH**

79.5 mm (3.13 inch)

Specifications

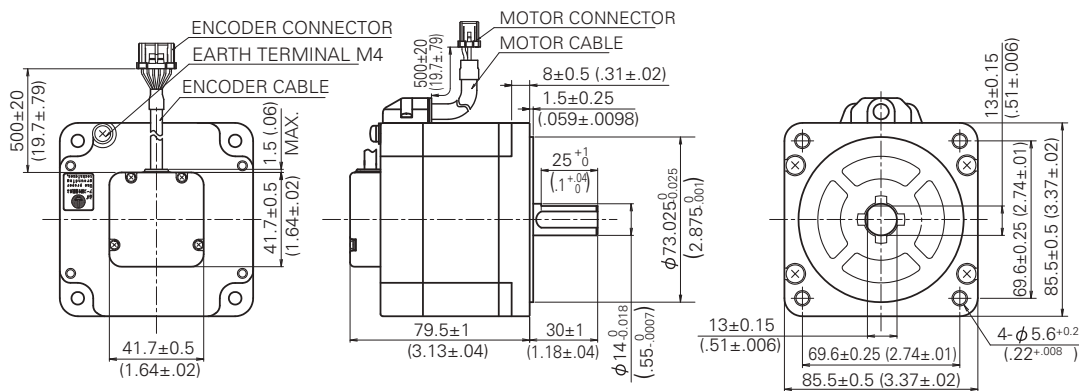
Power Supply	100/200 VAC	
Model	PBM861FXK30-M	
Driver Type	Type R, Type P	
Maximum Stall Torque	N·m	3.1
	oz·in	439.0
Rotor Moment of Inertia	$\times 10^{-4}$ kg·m ²	1.48
	oz·in ²	8.1
Incremental Encoder	16000 P/R (4000 P/R x4)	
Motor Weight	kg	1.9
	lb	4.2
Operating Temperature	-10 to 40°C (16 to 104°F)	
Humidity	20 to 90% RH, no condensation	

Torque Curve



Dimension

Unit: mm (inch)



Applicable Driver

Power Supply	Motor	Driver		
		Indexer	Pulse Input	EtherCAT
200 VAC	PBM861FXK30-M	PB4A002R301	PB4A002P301	
100 VAC		PB4A002R300	PB4A002P300	

CLOSED LOOP STEPPING SYSTEMS

MOTOR FLANGE SIZE

86 mm (3.37 inch)

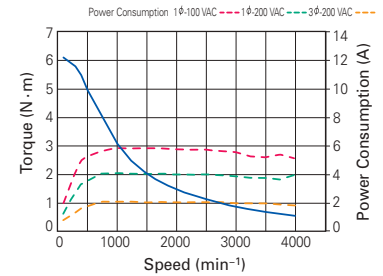
MOTOR LENGTH

110 mm (4.33 inch)

Specifications

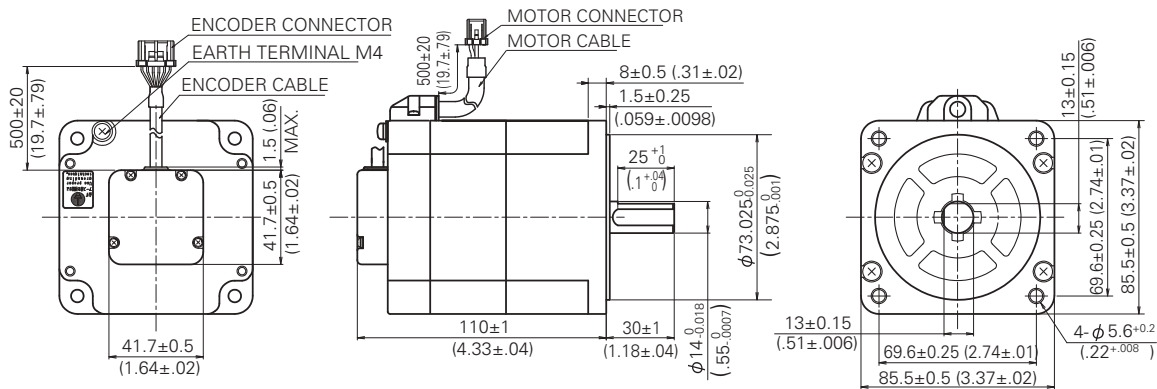
Power Supply	100/200 VAC	
Model	PBM862FXK30-M	
Driver Type	Type R, Type P	
Maximum Stall Torque	N·m	6.1
	oz·in	863.8
Rotor Moment of Inertia	$\times 10^{-4}$ kg·m ²	3
	oz·in ²	16
Incremental Encoder	16000 P/R (4000 P/R x4)	
Motor Weight	kg	3.1
	lb	6.8
Operating Temperature	-10 to 40°C (16 to 104°F)	
Humidity	20 to 90% RH, no condensation	

Torque Curve



Dimension

Unit: mm (inch)



Applicable Driver

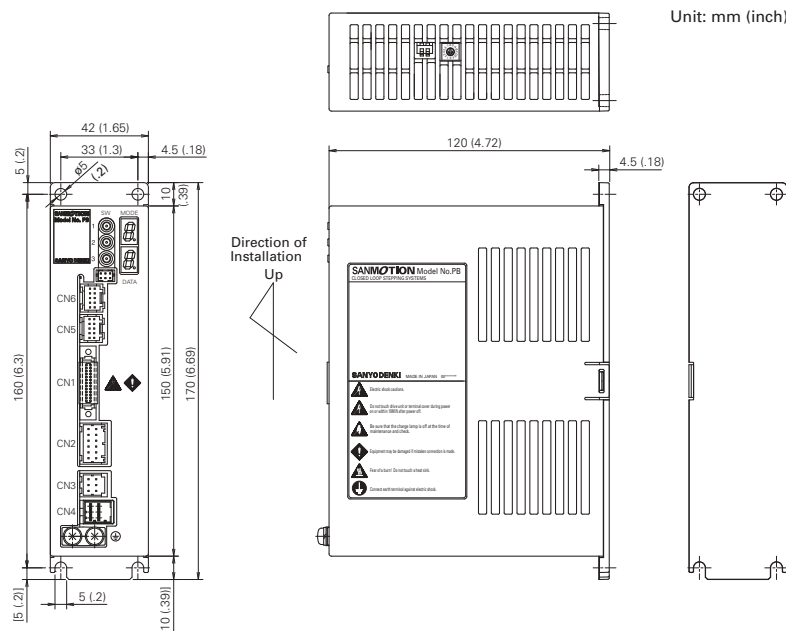
Power Supply	Motor	Driver		
		Indexer	Pulse Input	EtherCAT
200 VAC	PBM862FXK30-M	PB4A002R301	PB4A002P301	
100 VAC		PB4A002R300	PB4A002P300	

AC Input Driver Indexer Model Type R



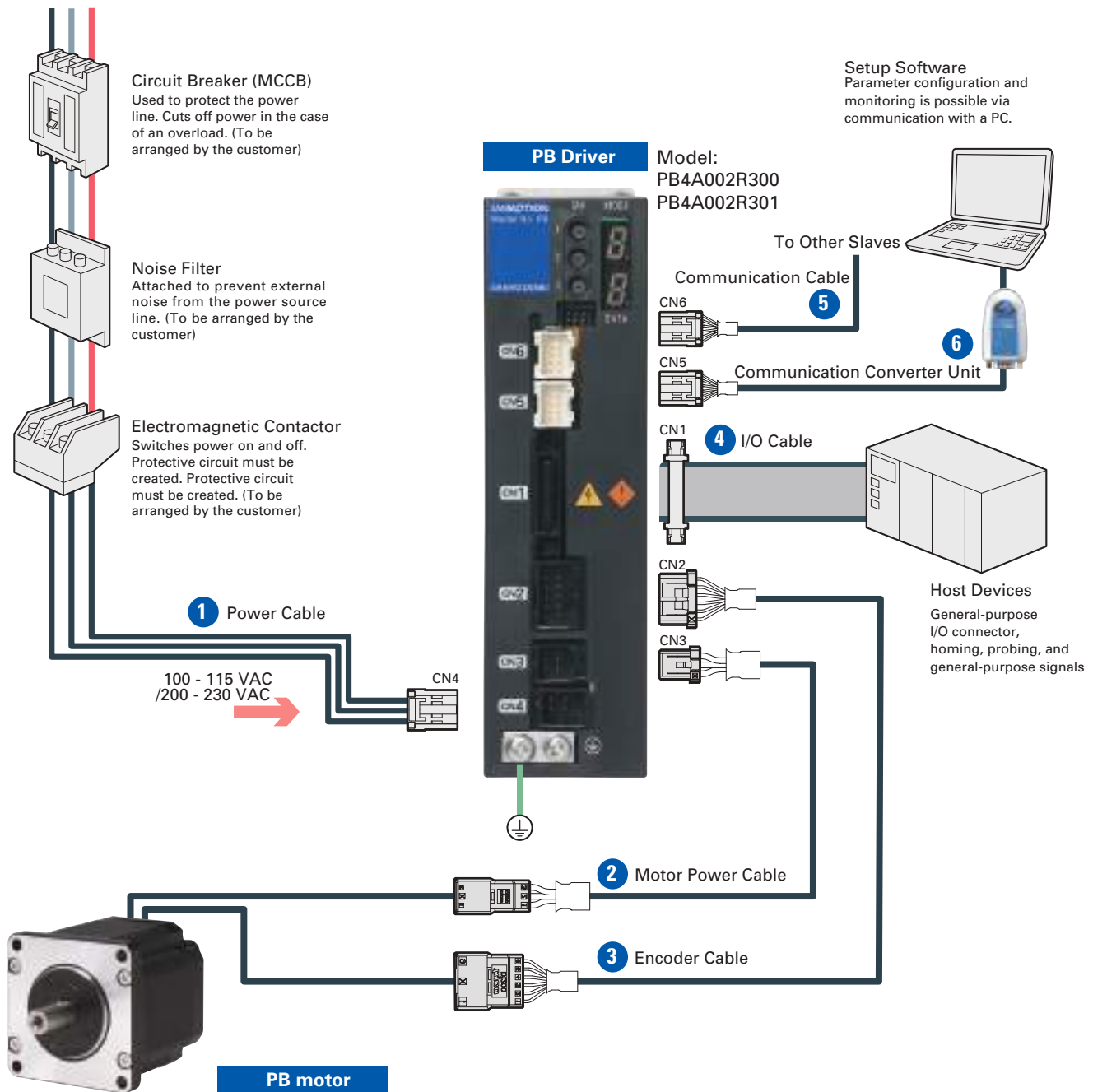
Driver Model		PB4A002R300	PB4A002R301
Power Supply		Single phase AC100V to 115V -15% +10% 50/60Hz	Single phase / 3-phase AC200V to 230V -15% +10% 50/60Hz
Environment	Ambient Temp.	Operating	0 to 55°C
		Storage	-20 to 65°C
	Operating / Storage Humidity		90% RH (non-condensing)
	Vibration Resistance		0.5G (tested with frequency range 10 to 55 Hz, X, Y, Z each direction 2h)
Structure		Tray Structure, Rear Mounting Type	
Mass		Approx. 0.65kg	
Dimensions		W42×H150×D120 mm	
Functions	Rotation Speed		0 to 4500 min ⁻¹ (86 mm: 0 to 4000 min ⁻¹)
	Resolution (P/R)		Electronic Gear 100 to 16000
	Regeneration Process		Internal (software processing)
	Holding Brake Control Function		Internal
	Protective Functions		Power Voltage Error, Regeneration Voltage Error, Over-speed, Encoder Disconnection, CPU Error, Overload Stop, Servo Error, Zero-return Error, Nonvolatile Memory Error, Initialization Error, Over-current, Amplifier Overheat, Motor Overheat, Counter Overflow
	Display		7SEG LED Display (2 pieces)
	Digital Operator		Resolution, Related Motor, Positive Direction Definition, Gain, Node Address, Trans. Speed, Holding Brake Control, Jog Driving
	Operation Functions		Auto Zero-return / Push Operation (Current limit)
Communication Specifications (PCIF)		RS-485 Start-Stop Synchronization, Half Duplex Communication, Trans. Speed: 9600, 38400, 115200, 307200bps	
Input/Output Signals	Input Signals	Functions	ALMCLR General-purpose Input x8 (Point, STOP, EXE, SELECT, HOME sensor, Limit, Deviation CLR, Pause, Jog, Interlock)
		Electric	General-purpose Input: Interactive Input Photo Coupler DC5V to 24V
	Output Signals	Functions	ALMCLR General-purpose Output x7 (Point No., Ack, Busy, HOME END, Push END, ZONE, Input Monitor, In-position, Bit Out)
		Electric	General-purpose Output: Open Collector, DC30V/15 mA Max.

Dimension



CLOSED LOOP STEPPING SYSTEMS

System Configuration

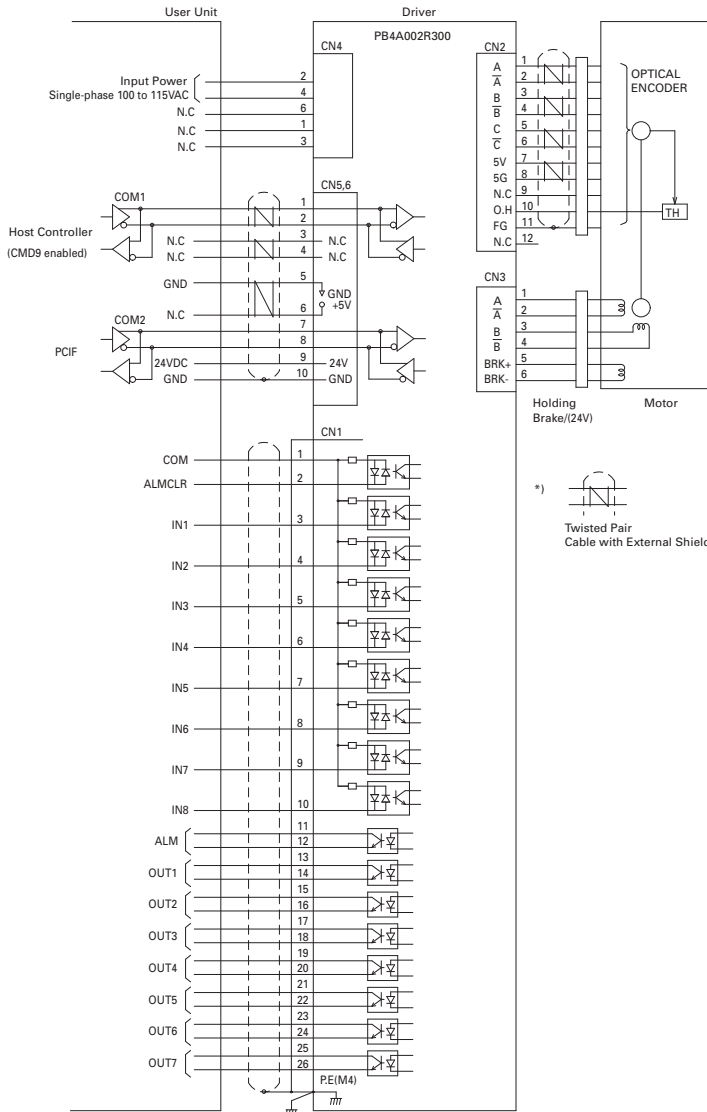


Item	Parts Number	Description
✓ 1	PBC8P0010A	Power Cable: 1 m
2	PBC7M0030A	Motor Power Cable: 3 m
3	PBC7E0030A	Encoder Cable: 3 m
4	PBC5S0010A	I/O Cable (unshielded): 1 m
5	PBC6C0003A	Communication Cable: 0.3 m
✓ 6	PBFM-U6	Communication Converter Unit
		USB/RS-485 conversion Communication with SPBALL-01 Setup Software

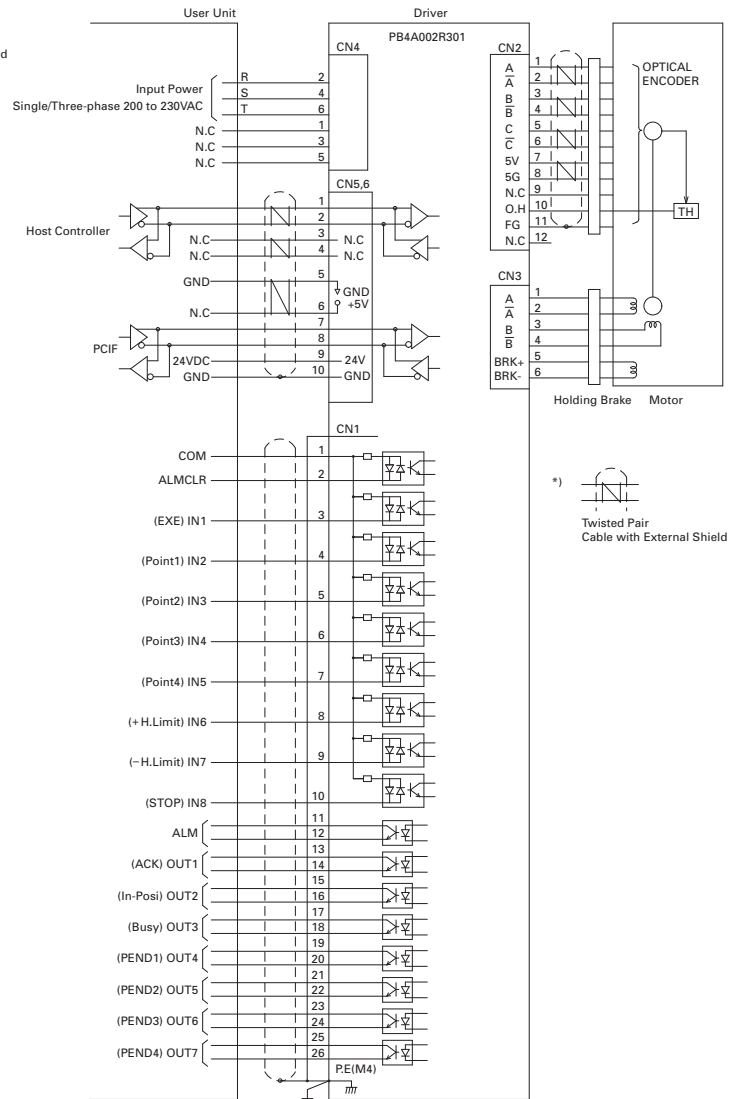
To build a complete system, you need to have checked items.

Wiring Diagram

100 to 115 VAC Input Driver Model: PB4A002R300



200 to 230 VAC Input Driver Model: PB4A002R301



CLOSED LOOP STEPPING SYSTEMS

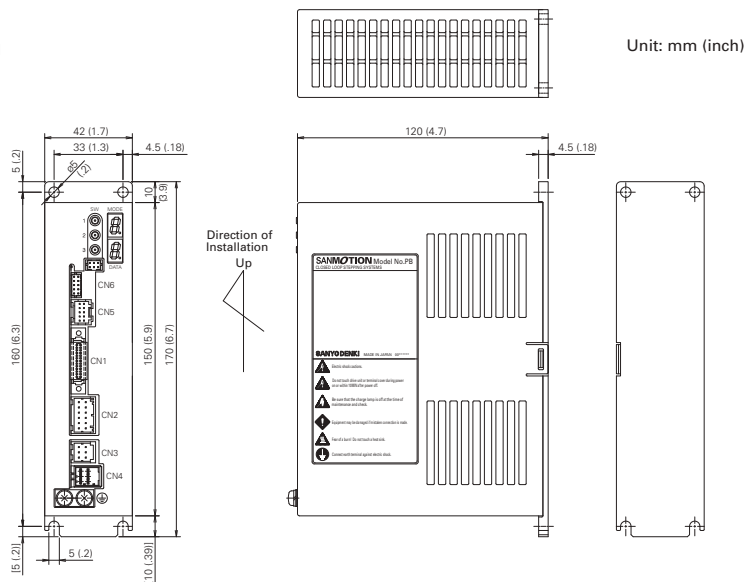
AC Input Driver Pulse Input Model Type P



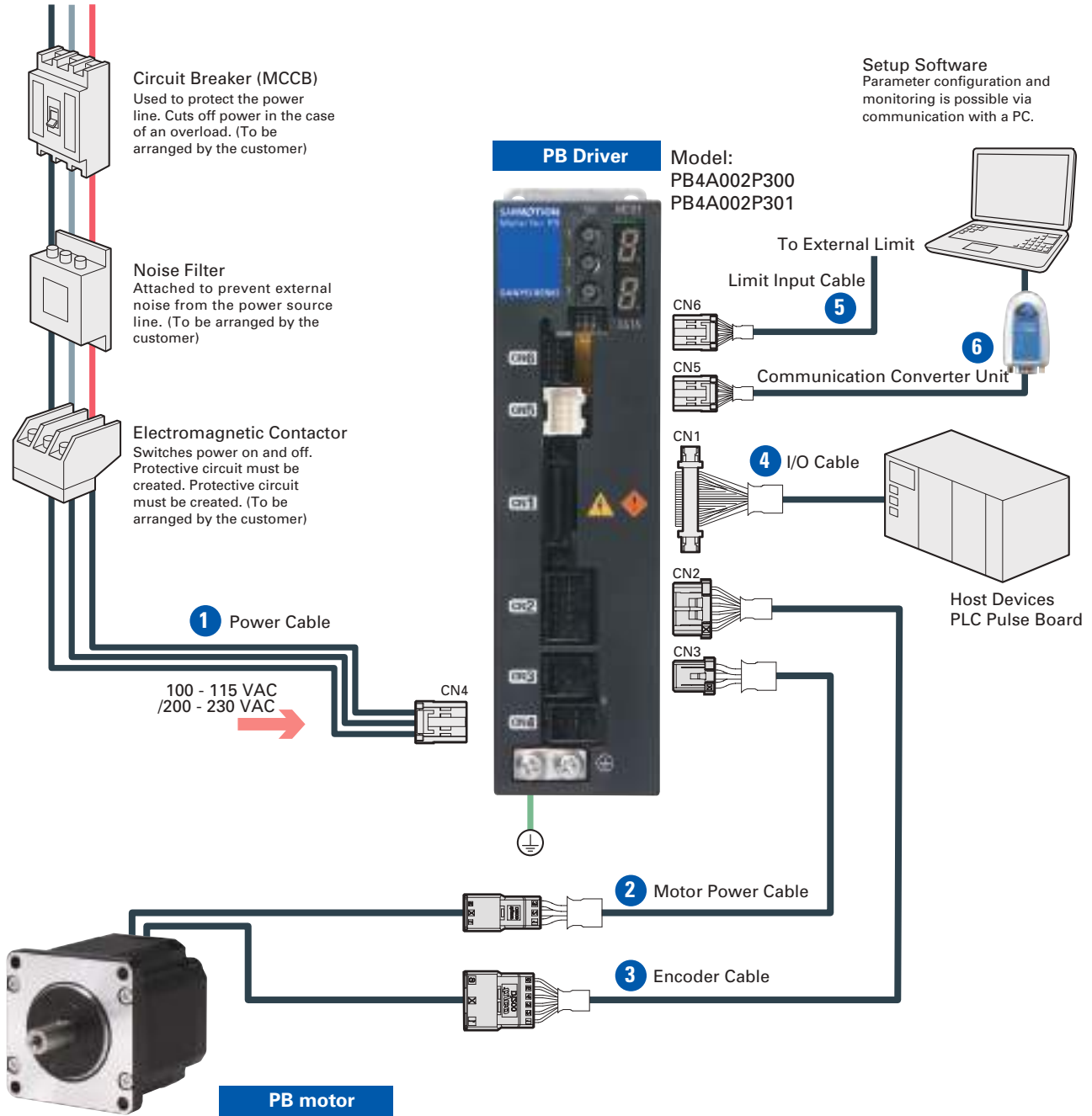
Driver Model		PB4A002P300	PB4A002P301
Power Supply		Single phase AC100V to 115V -15% +10% 50/60Hz	Single phase / 3-phase AC200V to 230V -15% +10% 50/60Hz
Environment	Ambient temp.	Operating	0 to 55°C
		Storage	-20 to 65°C
	Operating / Storage Humidity		90% RH (non-condensing)
	Vibration Resistance		0.5G (tested with frequency range 10 to 55 Hz, X, Y, Z each direction 2h)
Structure		Tray Structure, Rear Mounting Type	
Mass		Approx. 0.65kg	
Dimensions		W42×H150×D120 mm	
Functions	Rotation Speed		0 to 4500 min ⁻¹ (86 mm: 0 to 4000 min ⁻¹)
	Resolution (P/R)		Electronic gear 100 to 16000
	Regeneration Process		Internal (software processing)
	Holding Brake Control Function		Internal
	Protective Functions		Power Voltage Error, Regeneration Voltage Error, Over-speed, Encoder Disconnection, CPU Error, Overload Stop, Servo Error, Zero-return Error, Nonvolatile Memory Error, Initialization Error, Over-current, Amplifier Overheat, Motor Overheat, Counter Overflow
	Display		7SEG LED Display (2 pieces)
	Digital Operator		Resolution, Related Motor, Positive Direction Definition, Gain, Node Address, Trans. Speed, Holding Brake Control, Jog Driving
	Operation Functions		Auto Zero-return / Push Operation (Current limit)
Communication Specifications (PCIF)		RS-485 Start-Stop Synchronization, Half Duplex Communication, Trans. Speed: 115200bps	
Input/Output Signals	Input Signals	Functions	Pulse Input, STOP, ALMCLR
		Electric	General-purpose Input ×2 (Deviation CLR, HOME, Push, Brake Control, Counter Reset) Pulse Input: Line receiver (1 or 2 input mode) General-purpose Input: Interactive Input Photo Coupler DC5V to 24V
	Output Signals	Functions	Encoder Signal (A / B / C) ALM, In-position General-purpose Output ×2 (HOME END, Push END, ZONE, Input Monitor)
		Electric	Encoder Signal Output: Line Amplifier 4000P/R *C-phase / phase origin signal outputs will not be emitted at velocities over 200 min ⁻¹ . General-purpose Output: Open collector DC30V / 15mA Max.

* A function that finely adjusts the unit step angle per pulse parameters. Setup software is required.

Dimension



System Configuration



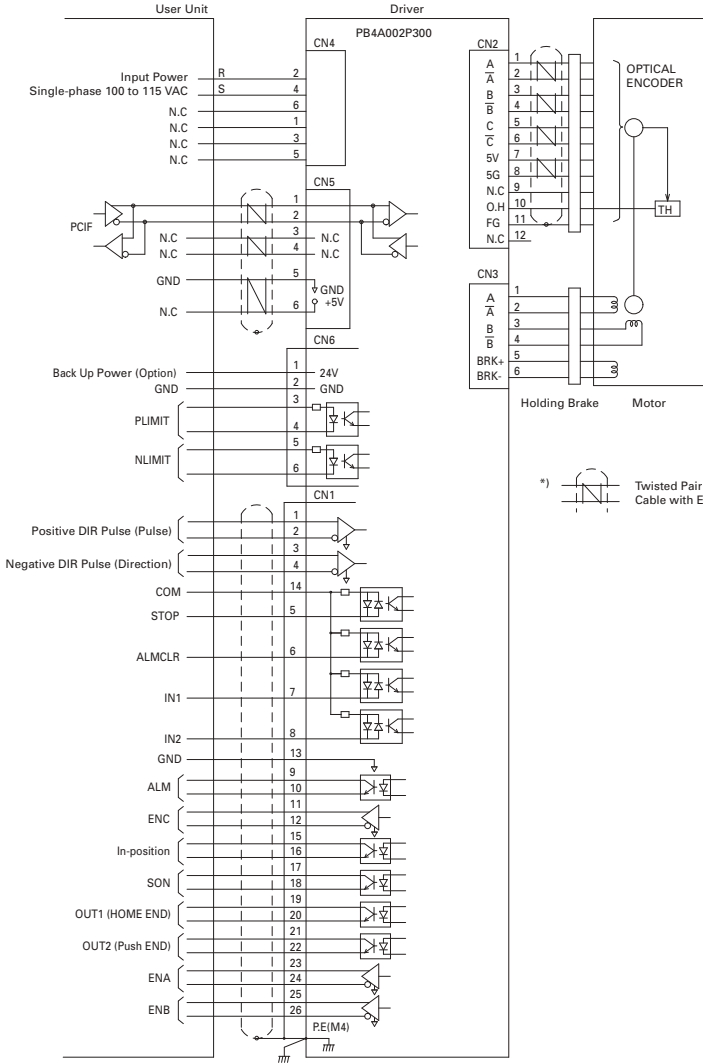
Item	Parts Number	Description
✓ 1	PBC8P0010A	Power Cable: 1 m
2	PBC7M0030A	Motor Power Cable: 3 m
3	PBC7E0030A	Encoder Cable: 3 m
4	PBC5S0010C	I/O Cable: 1 m
5	PBC7S0010A	Limit Input Cable 1 m
✓ 6	PBFM-U6	Communication Converter Unit

To build a complete system, you need to have checked items.

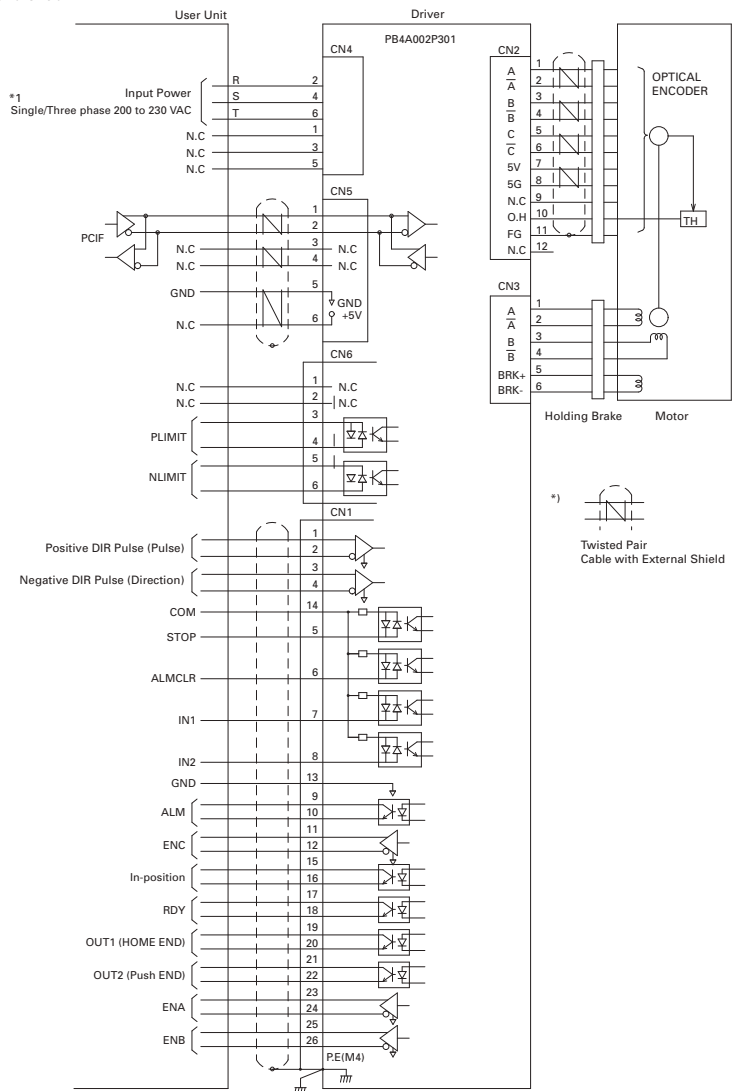
CLOSED LOOP STEPPING SYSTEMS

Wiring Diagram

100 to 115 VAC Input
Driver Model: PB4A002P300



200 to 230 VAC Input
Driver Model: PB4A002P301



*1 When using with single-phase power supply, wire to pins 2 and 4.

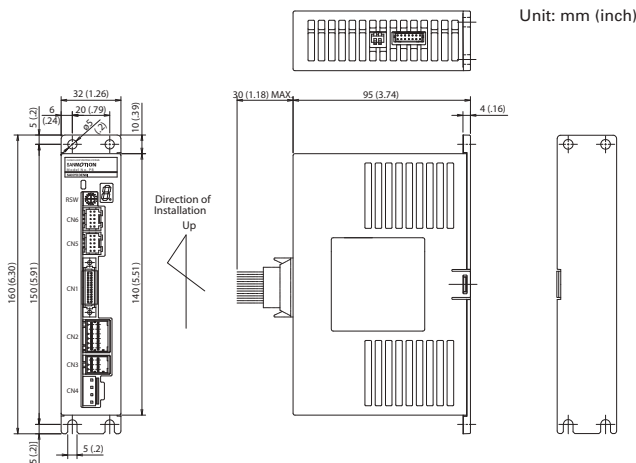
DC Input Driver Indexer / Pulse Input Model Type M



Driver Model		PB3D003M200		
Interface		Generic Input (SW1=ON)	Pulse Train Input (SW1 = OFF)	
Power Supply		DC24V/48V ±10% (28 mm Motor is only available as 24V.)		
Environment	Ambient temp.	0 to 55°C		
	Operating Storage	-20 to 70°C		
	Operating/Storage Humidity	90% RH (non-condensing)		
	Vibration Resistance	0.5G (tested with frequency range 10 to 55 Hz, X, Y, Z each direction 2h)		
Mass/Dimensions		Approx. 0.36Kg/W32×H160×D95 mm		
Functions	Rotation Speed	0 to 4500 min ⁻¹		
	Resolution (P/R)	500, 1000, 2000, 4000, 5000, 10000		
	Regeneration Process	Internal		
	Protective Functions	Power Voltage Error, Regeneration Voltage Error, Over-speed, Encoder Disconnection, CPU Error, Overload Stop, Excessive Position Deviation, Zero-return Error, Nonvolatile Memory Error, Initialization Error (Power Line Disconnection)		
	Display	7SEG LED Display		
	Functions	Normal Drive (incremental move, absolute move), Zero-return, Module Operation, Push Operation, Teaching Functions Point Functions: 128Point Program Functions: 1PRG×1024Line, 32PRG×32Line, 128PRG×8Line	Normal Drive, Zero-return	
	Rotary Switch	Node Address Setting (0 to F)	Normalize velocity loop gain setting	
	DIP-Switches	SSW1: Interface Selection (On: RS-485, OFF: Pulse) SW2: Terminating Resistor Setting (On: with terminating resistance)		
Input/Output Signals	Input Signals	(Normal Mode) STOP, EXE, POINT, HOME, JOG, SELECT, Pause, Interlock, Generic Input, MODE SELECT, Hard Limit, ALM CLR (Teaching Mode) STOP, JOG, Point, PWR Pulse input: Photo coupler: DC3V to 5V (Input resistance=270Ω) Input signal: DC5V to 24V	Pulse, STOP, ALMCLR, Gain Setting, Deviation Clear, HOME	
	Output Signals	(Normal Mode) Ack, PEND, END, Busy, Zone, Mode MON, STOP MON, In-position, Homing complete, Generic Output, Encoder Output, SON MON, ALM, HEND, Input Monitor (Teaching Mode) PEND, HEND, In-position, Mode MON, SON MON Output signal: Open collector DC30V / 30mA Max. *Encoder C-phase signal outputs within 200 min ⁻¹	ALM, STOP MON, In-position, Homing complete, Encoder Output, SON MON, STOP MON	
	Communication Specifications Trans.	RS-485 Standard Start-Stop Synchronization, Half Duplex	9600, 38400, 115200, 128000bps	9600bps

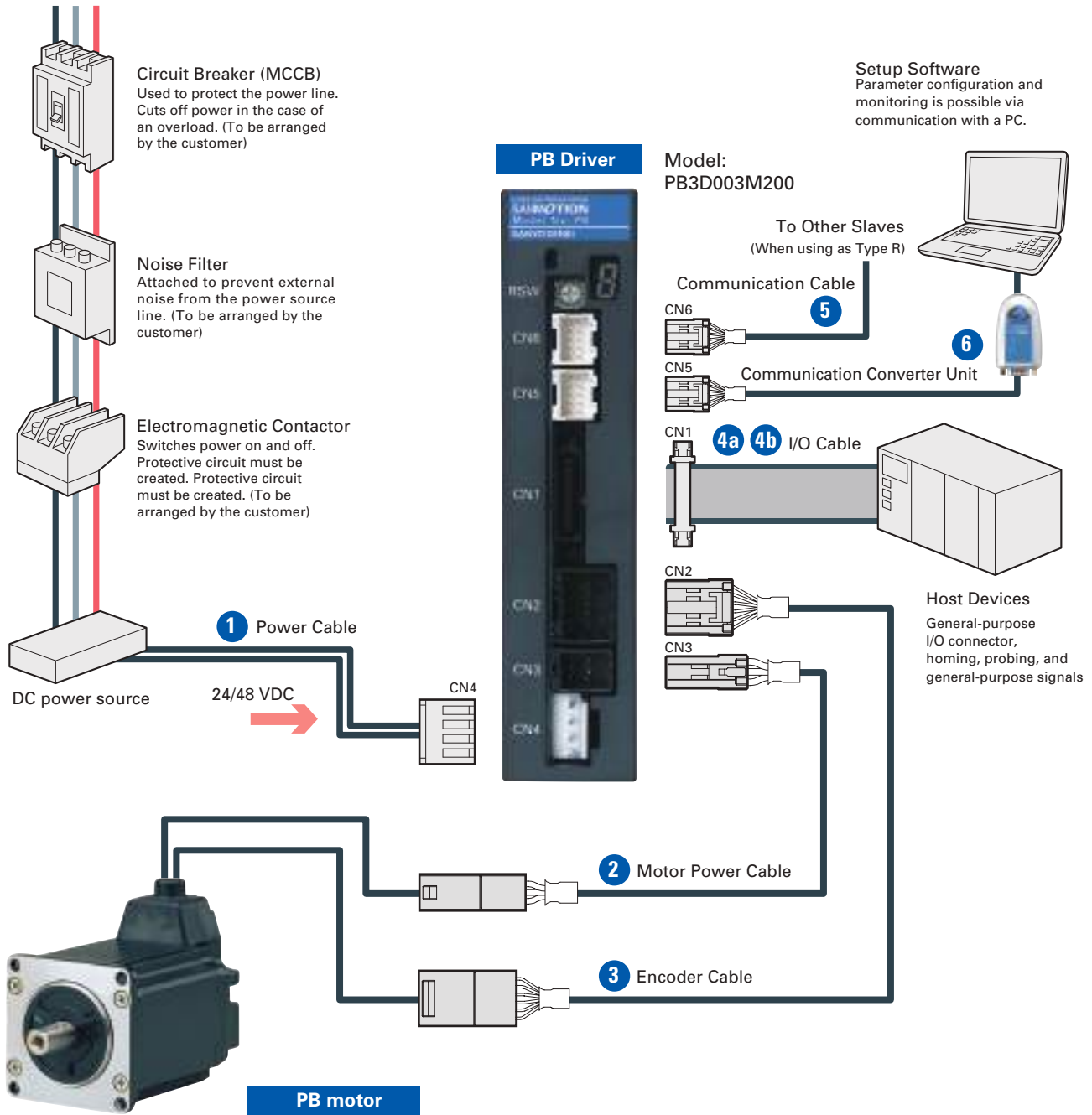
* A function that finely adjusts the unit step angle per pulse parameters. Setup software is required.

Dimension



CLOSED LOOP STEPPING SYSTEMS

System Configuration

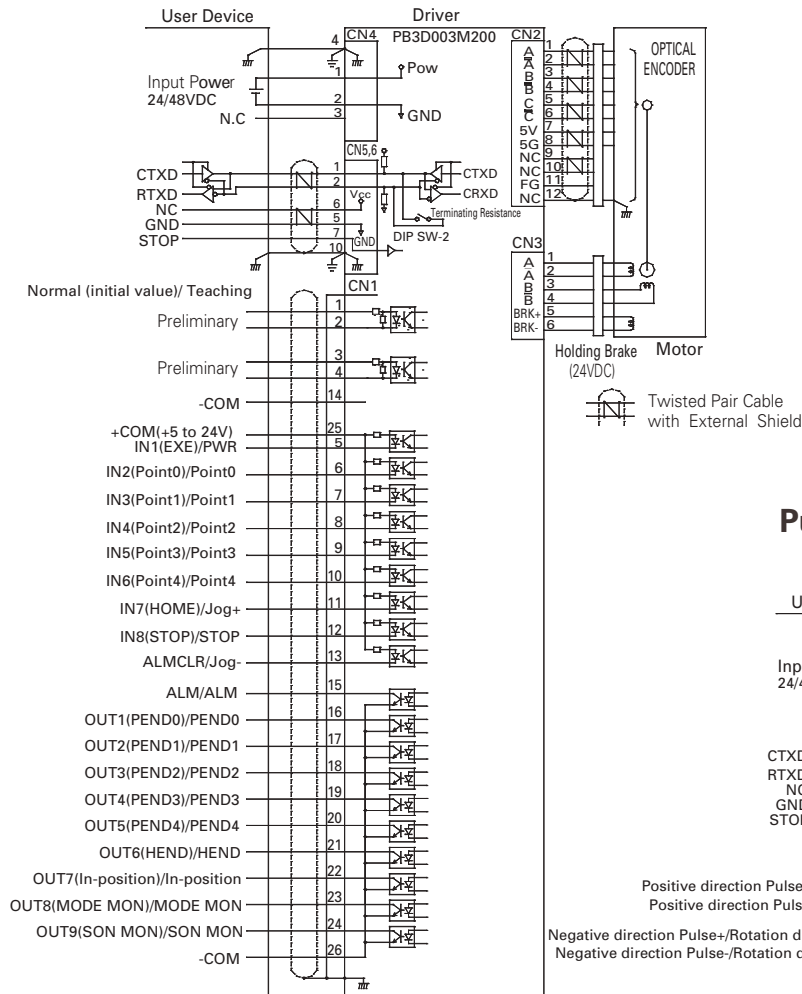


Item	Parts Number	Description
✓ 1	PBC6P0010A	Power Cable: 1 m
2	PBC6M0030A	Motor Power Cable: 3 m
3	PBC6E0030A	Encoder Cable: 3 m
4a	PBC5S0010A	I/O Cable: 1 m
4b	PBC5S0010C	I/O Cable: 1 m
5	PBC6C0003A	Communication Cable: 0.3 m
✓ 6	PBFM-U6	Communication Converter Unit
		USB/RS-485 conversion Communication with SPBA1W-01 Setup Software

To build a complete system, you need to have checked items.

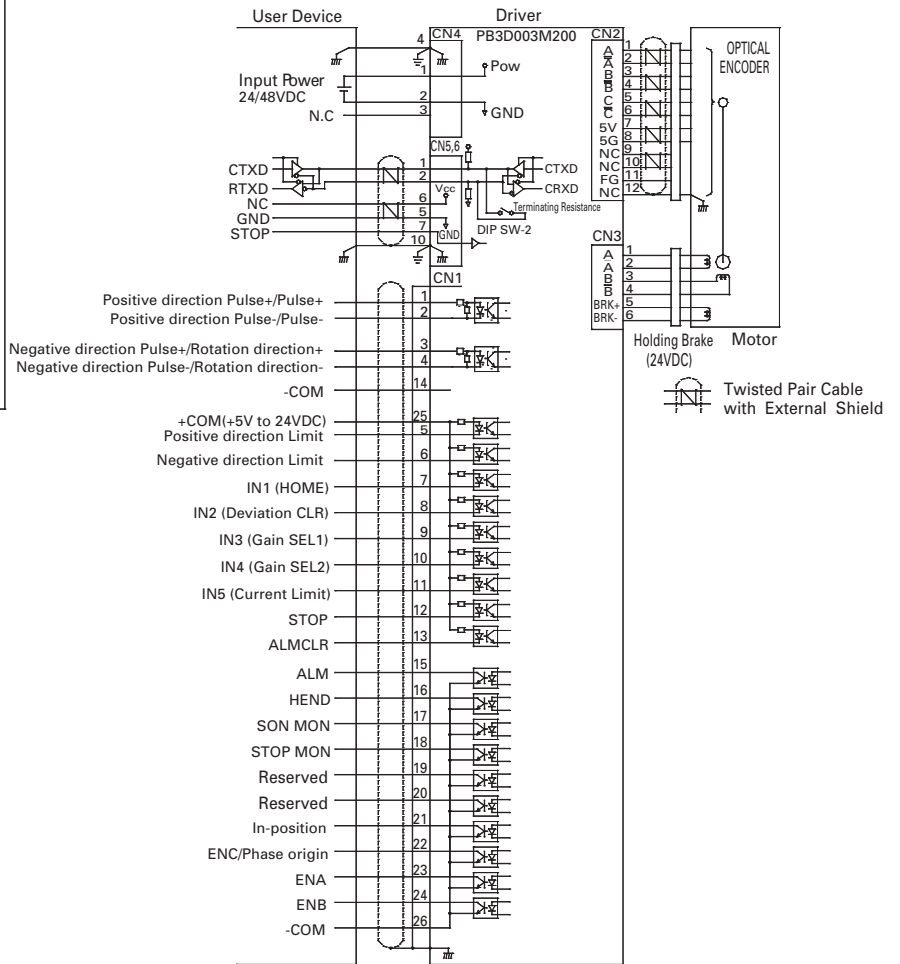
Wiring Diagram

Indexer DIP Switch SW1: ON



Note: The CN1 general-purpose input/output signal function is selected through communication. Please see the basic specifications for details.

Pulse Input DIP Switch SW1: OFF



Note: The CN1 general-purpose input/output signal function is selected through communication. Please see the basic specifications for details.

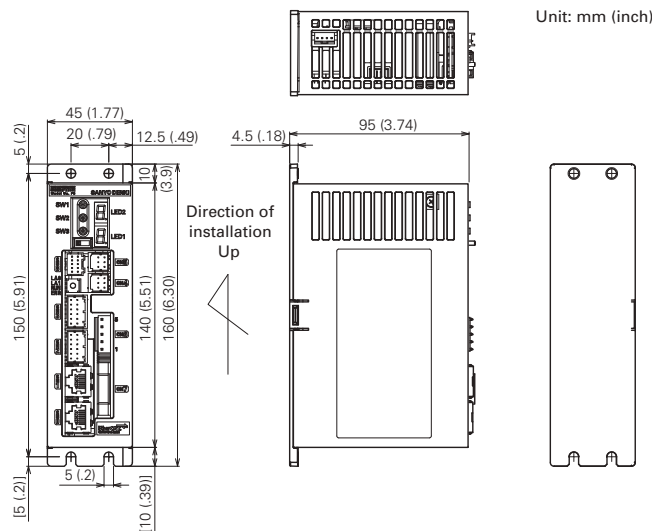
CLOSED LOOP STEPPING SYSTEMS

DC Input Driver EtherCAT Model

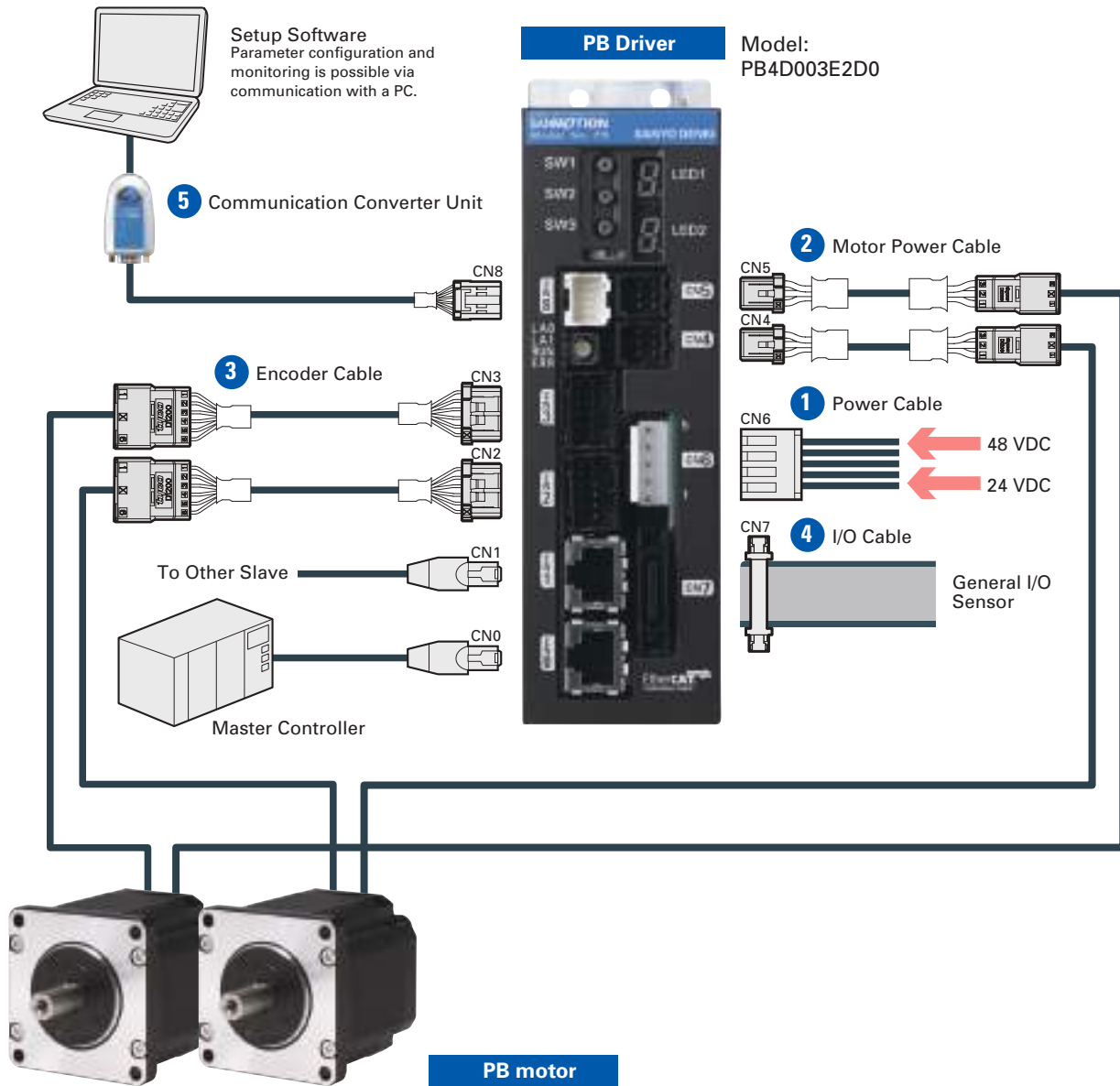


Driver Model		PB4D003E2D0	
Power Supply		Main power supply DC24 / 48V ±10% 5A Control power supply DC24V ±10% 0.5A	
Environment	Ambient temp.	Operating	0 to 55°C
		Storage	-20 to 65°C
	Operating / Storage Humidity		90% RH (non-condensing)
	Vibration Resistance		0.5G (tested with frequency range 10 to 55 Hz, X, Y, Z each direction 2h)
	Impact resistance		5G
Elevation		Maximum 2000 m above sea level	
Structure		Tray structure rear mounting type	
Mass		Approx. 0.5 kg	
Dimensions		W45×H160×D95 mm	
Functions	Rotation Speed		0 to 4500 min ⁻¹
	Resolution (P/R)		10000
	Regeneration Process		Regenerative resistor (Option)
	Holding Brake Control Function		Internal
	Protective Functions		Power voltage error, Regeneration voltage error, Over-speed, Sensor error, Wrap around, CPU error, Overload stop, Zero-return error, Nonvolatile memory error, Deviation counter overflow, Initialization error, Over-current, Amplifier overheat, Servo error, Push abnormality, Communications abnormality, etc.
	Display		7SEG LED display (2 pieces)
	Digital Operator		Related motor (Absolute encoder is automatically recognized), Jog driving, Node address, Holding brake control
Interface	Physical layer / Protocol		100BASE-TX / IEEE802.3 compliant Ethernet
	Transmission speed		100 Megabits Full duplex
	Communication port / Topology		2 ports (RJ45) / Daisy-chain (Max. 65535 nodes)
	Device profile		CoE (IEC61800-7-201), FoE (ASCII code access)
	Synchronization		SM2 event synchronization, DC synchronization (SYNC0 / SYNC1), asynchronous *0x1C32,0x05: Shortest cycle time = 1 ms
Input/Output Signals	Input Signals	Functions	Interactive input photo coupler 5 to 24 VDC
		Electric	Positive & negative direction limit, HOME input: each axis
	Output Signals	Functions	Open collector, 30 VDC / 15mA Max.
		Electric	2 general purpose outputs (each axis), hardware gate OFF input

Dimension



System Configuration



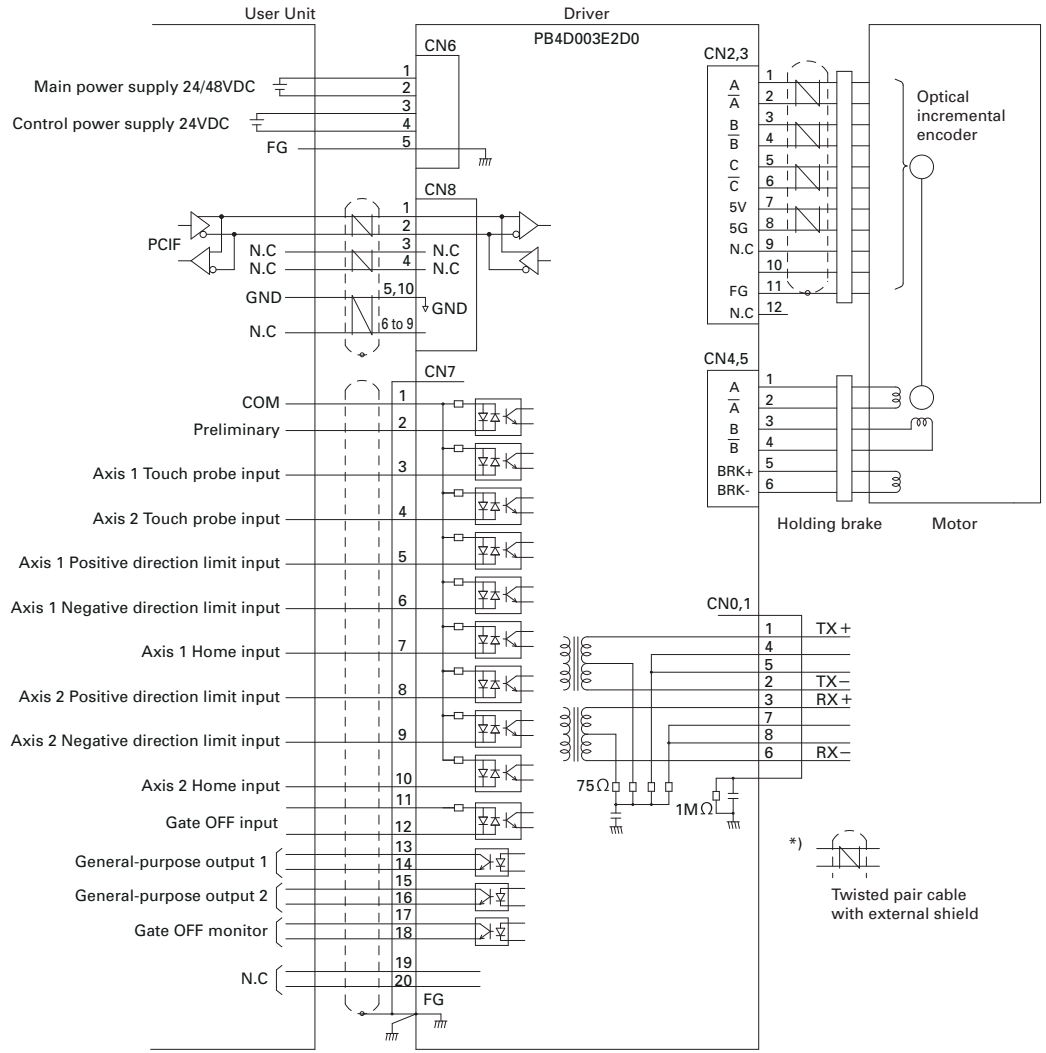
Item	Parts Number	Description
✓ 1	PBC9P0020A	Power Cable: 1 m
2	PBC8M0030A	Motor Power Cable: 3 m
3	PBC7E0030A	Encoder Cable: 3 m
4	PBC1S0010A	I/O Cable: 1 m
✓ 6	PBFM-U6	Communication Converter Unit

Description: USB/RS-485 conversion Communication with SANMOTION MOTOR Setup Software

To build a complete system, you need to have checked items.

CLOSED LOOP STEPPING SYSTEMS

Wiring Diagram

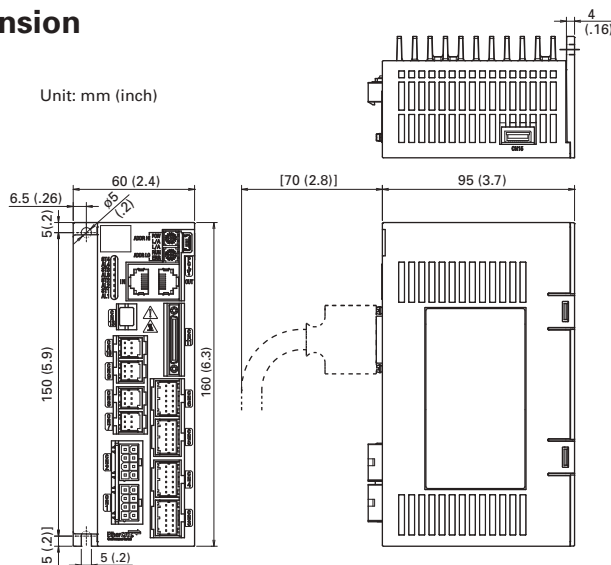


DC Input Driver EtherCAT Multi-Axis Model



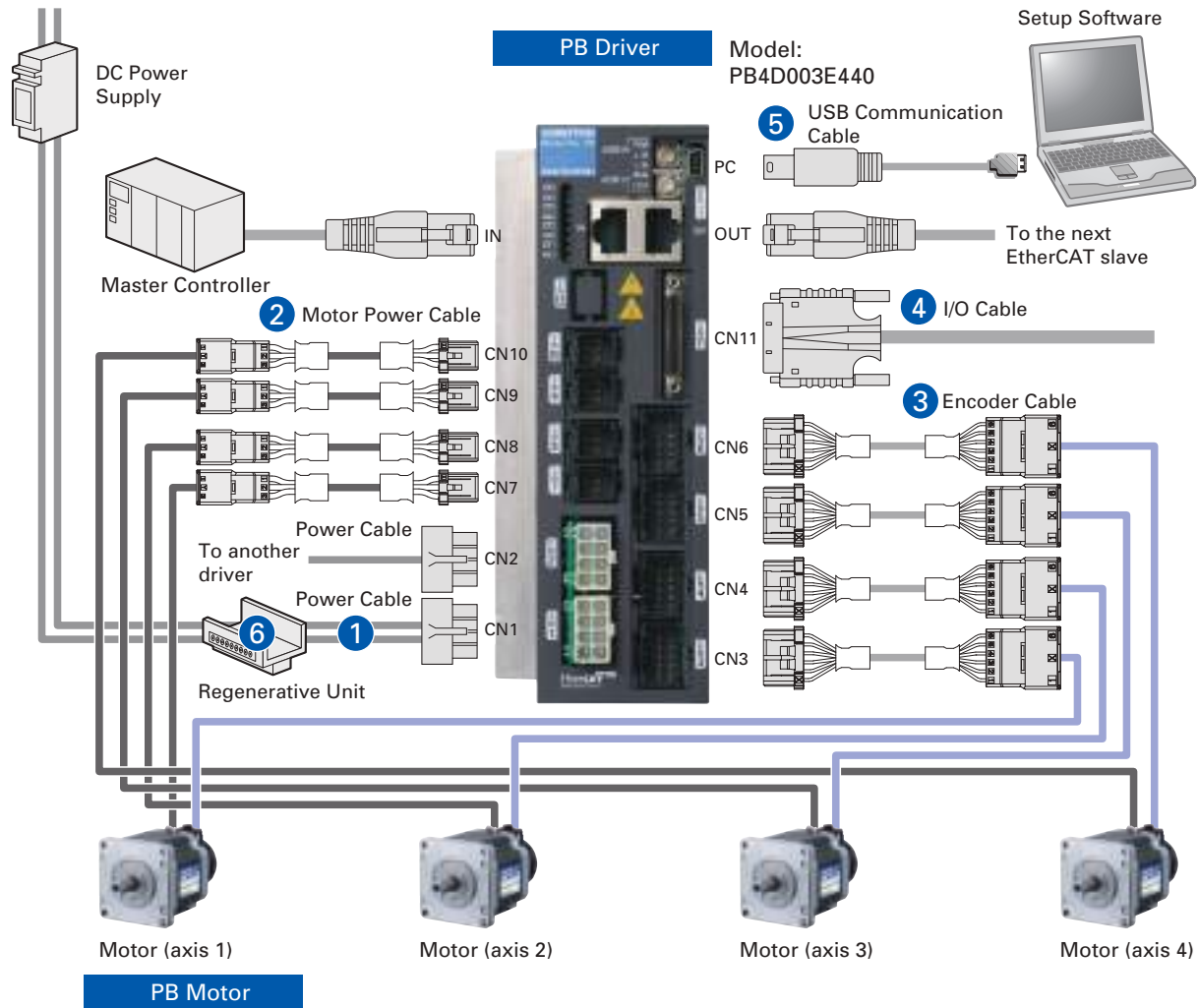
Driver Model		PB4D003E440	
Power Supply		Main power supply 24/48VDC ±10% 14A Control power supply 24VDC ±10% 1.5A	
	Ambient temp.	Operating	0 to 55°C
		Storage	-20 to 65°C
	Operating / Storage Humidity		90% RH (non-condensing)
	Vibration Resistance		5m/s ² (Tested X, Y and Z directions for 2 hours in the frequency range between 10 to 55Hz.)
	Shock resistance		20m/s ²
	Elevation		Below 1,000m above sea level
Mass		0.7kg	
Dimensions		W60×H160×D95mm	
Functions	Rotation Speed		0 to 4500 min ⁻¹ (0 to 3000 min ⁻¹ for 60 mmsq. motor)
	Resolution (P/R)		10000
	Regeneration Process		Regenerative resistor (Option)
	Holding Brake Control Function		Built in
	Protective Functions		Main circuit overcurrent, Overload, Initializing operation error, Driver overheat, Main circuit overvoltage, Regeneration error, Main circuit voltage lack, Control circuit voltage lack, Encoder disconnection, Overspeed, Position deviation error, Wrap around, Memory error, CPU and around circuit error, Communication error.
	Display		Status display, Alarm display
PC interface		USB2.0	
Interface	Physical layer / Protocol		100BASE-TX / IEEE802.3 compliant ethernet
	Transmission speed		100Mbit/s, Full duplex
	Communication port / Topology		2 ports (RJ45) / Daisy-chain (Max. 65535 nodes)
	Device profile		CoE (IEC61800-7-201), FoE (ASCII code access)
	Synchronization		SM2 event synchronization, DC synchronization (SYNC0 / SYNC1), Asynchronous Minimum Cycle Time 0.25ms
I/O Signals	Input Signal		Photocoupler input type, Number of inputs: 16 Input resistance: 2.2kΩ Input voltage: "H" level: 4.0 to 26.4VDC, "L" level: 0 to 1.0VDC
	Output Signal		Open-collector output via photocoupler, Number of outputs: 12 Output signal standards: VCEO: 4.75 to 26.4V IC: 50mA or less (In use of 24VDC.)

Dimension



CLOSED LOOP STEPPING SYSTEMS

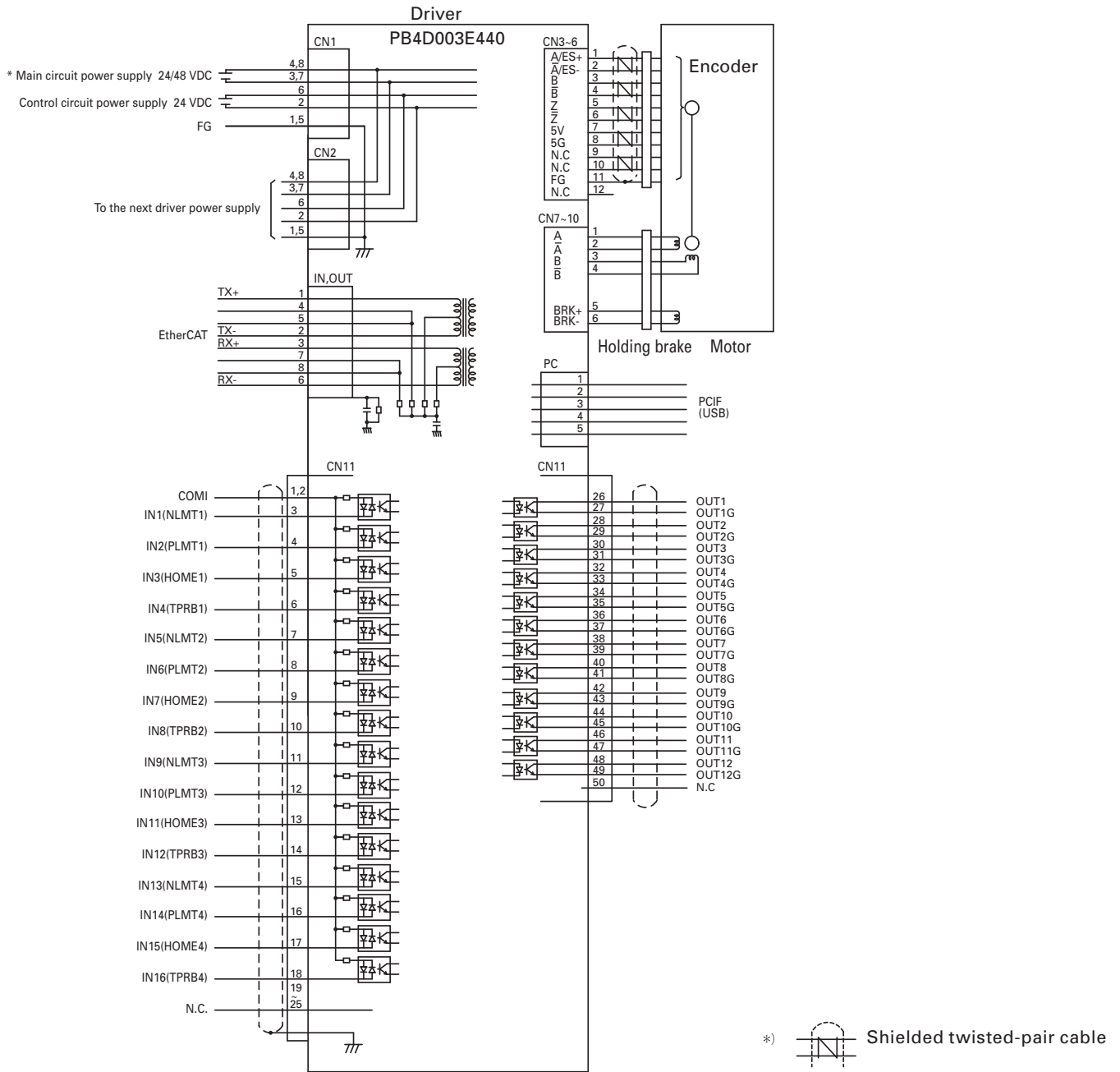
System Configuration



Item	Parts Number	Description
✓ 1	PBC10P0010A	Power Cable: 1 m
2	PBC8M0030A	Motor Power Cable: 3 m
3	PBC7E0030A	Encoder Cable: 3 m
4	PBC9S0010C	I/O Cable: 1 m
✓ 5	AL-00896515-01	USB Communication Cable: 1 m
6	PBFE-02	Regen Unit
		Communication with SANMOTION MOTOR Setup Software
		Need when using 60 mmsq motor. (Ask us)

To build a complete system, you need to have checked items.

Wiring Diagram

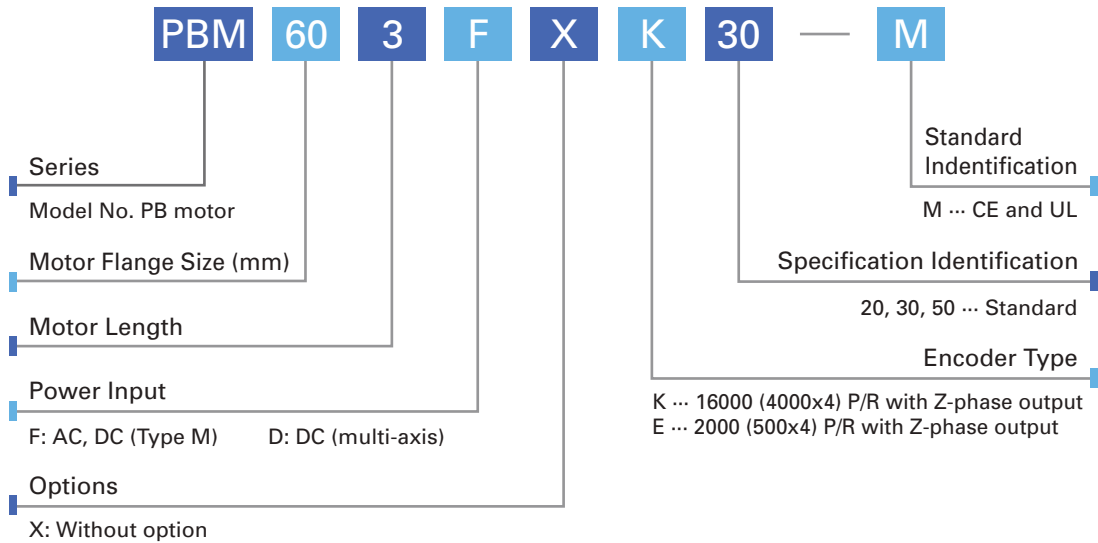


* Keep the max. extended length to 2 m or less and the max. current consumption to 14 A or less (7 A for normal operation) while in use.

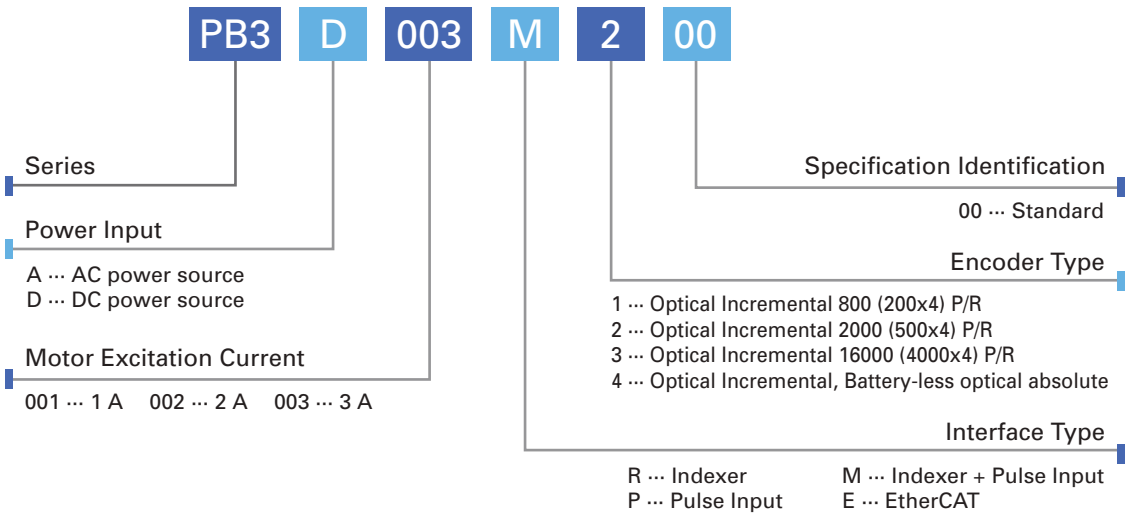
CLOSED LOOP STEPPING SYSTEMS

Model Numbering System

Motor



Driver



5-PHASE STEPPING SYSTEMS

SANMOTION F5

5-PHASE STEPPING SYSTEMS



The SANMOTION F5 is a five-phase stepping system that provides precise positioning with simple control. The typical basic step angle is 0.72° , precisely controlled by pulse signals. The products can be used in a wide variety of applications, including fixed-speed drive synchronized to a command pulse, accurate positioning, and stable stopping.

Low Vibration

Low-vibration mode function provides smooth driving, even with one-division (full step) and two-division (half step) coarse resolution settings. This allows vibrations to be suppressed without control system restrictions.

Microstep drive

The basic step angle of 0.72° can be set to a resolution of up to 250 divisions in 16 levels. This allows for smooth operation with minimal vibrations.

Application Examples

The SANMOTION F5 can be used in a wide variety of applications, including fixed-speed drive synchronized to a command pulse, accurate positioning, and stable stopping.

- Semiconductor devices, analytical and testing devices used in medical and environmental fields, ATMs, monitoring cameras and spotlights, packaging machines, embroidering machines, automatic ticket gates and more



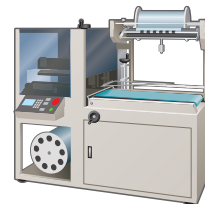
ATMs



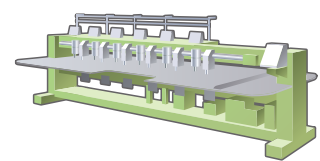
Blood analyzers



Wafer cleaners



Food packaging machines



Embroidering machines

All model numbers in this catalog are compliant with the tolerances for specified toxic substances (cadmium, lead, mercury, hexavalent chromium, PBB, and PBDE) found in supplement II of the EU RoHS directive (2011/65/EU), as of the October 2012 production lot. Also, SANMOTION F5 drivers and motors whose model numbers start with "SM" feature standard specifications that are compliant with CE (European Norm) and UL standards.



Lineup

5-Phase Stepping Motor

Motor Size	Holding Torque N·m oz·in	Current Amp	Model	Shape	Motor Length mm inch	Driver 24/48 VDC input	Page
28 mm NEMA 11	0.041 5.81	0.75	SH5281-7241	S	32 1.26	F5PAE140P100	100
	0.078 11	0.75	SH5285-7241	S	51.5 2.03	F5PAE140P100	101
42 mm NEMA 17	0.125 17.7	1.4	SF5421-8241	S	35 1.38	F5PAE140P100	102
	0.185 26.2	1.4	SF5422-8241	S	41 1.61	F5PAE140P100	103
	0.245 34.7	1.4	SF5423-8241	S	49 1.93	F5PAE140P100	104
60 mm 2.36 inch	0.57 80.7	1.4	SM5601-8241	S	49 1.93	F5PAE140P100	105
	0.9 127	1.4	SM5602-8241	S	60 2.36	F5PAE140P100	106
	1.55 219	1.4	SM5603-8241	S	89 3.50	F5PAE140P100	107
86 mm 3.39 inch	2.1 297	1.4	SM5861-8241	S	66 2.60	F5PAE140P100	108
	4.4 623	1.4	SM5862-8241	S	96.5 3.80	F5PAE140P100	109

Shape S: Single Shaft

Linear Actuator

Motor Size	Holding Torque N (lb)	Current Amp	Model	Shape	Motor Length mm (inch)	Driver 24/48 VDC input	Page
42 mm 1.65 inch	370 83.2	0.75	SL5421-7241	S	87 3.43	F5PAE140P100	110
			SL5421-72XB41	S, BRK	117 4.61		
60 mm 2.36 inch	450 101	1.4	SL5601-8241	S	135.6 5.34	F5PAE140P100	111
			SL5601-82XB41	S, BRK			

Shape S: Single Shaft BRK: Electrical Magnetic Brake Equipped

5-PHASE STEPPING SYSTEMS

MOTOR FLANGE SIZE

28 mm (NEMA 11)

MOTOR LENGTH

32 mm (1.26 inch)

Specification

New pentagon winding, 0.72 °/step

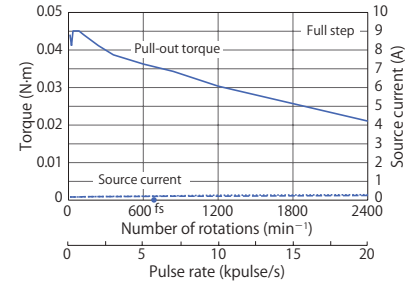
RoHS

Model	Single Shaft	SH5281-7241
Holding Torque	N·m	0.041
	oz·in	5.81
Rated Current	A/phase	0.75
Wiring Resistance	Ω/phase	1.05
Winding Inductance	mH/phase	0.44
Rotor Inertia	$\times 10^{-4}$ kg·m ²	0.01
	oz·in ²	0.055
Motor Weight	kg	0.11
	lb	0.24
Operating Temperature	-10 to 50°C (14 to 122 °F)	
Humidity	20 to 90% RH, no condensation	

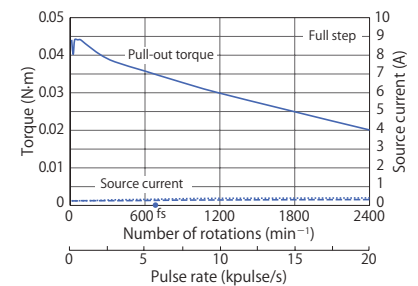
Torque Curve

Pull-out torque——
 Source current (no load)-----
 Source current (load applied).....
 fs: Maximum self-start frequency when not loaded
 With rubber coupling
 Driver: F5PAE140P100

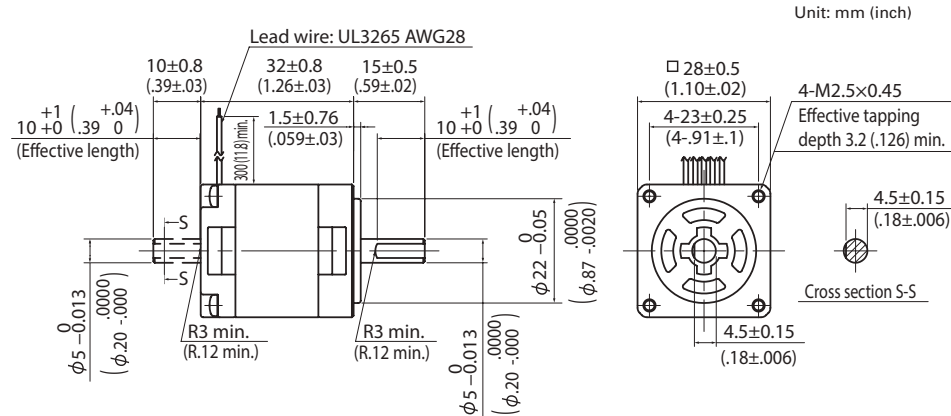
SH5281-72 48 VDC Input



24 VDC Input

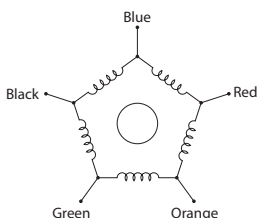


Dimension



Internal Wiring

Connection method:
 New pentagon connection



Direction of motor rotation

When excited by a direct current in the order shown below, the direction of rotation is clockwise as viewed from the output shaft side.

Lead wire color	Excitation sequence									
	1	2	3	4	5	6	7	8	9	10
Blue			+	+	+			-	-	-
Red	-	-			+	+	+			-
Orange		-	-	-			+	+	+	
Green	+			-	-	-			+	+
Black	+	+	+				-	-	-	

5-PHASE STEPPING SYSTEMS

MOTOR FLANGE SIZE

42 mm (NEMA 17)

MOTOR LENGTH

35 mm (1.38 inch)

■ Specification

New pentagon winding, 0.72 °/step

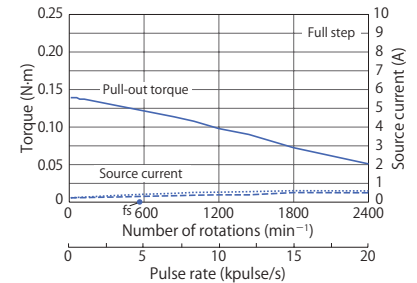
RoHS

Model	Single Shaft	SF5421-8241
Holding Torque	N·m	0.125
	oz·in	17.7
Rated Current	A/phase	1.4
Wiring Resistance	Ω/phase	0.47
Winding Inductance	mH/phase	0.37
Rotor Inertia	$\times 10^{-4}$ kg·m ²	0.028
	oz·in ²	0.153
Motor Weight	kg	0.24
	lb	0.53
Operating Temperature	-10 to 50°C (14 to 122 °F)	
Humidity	20 to 90% RH, no condensation	

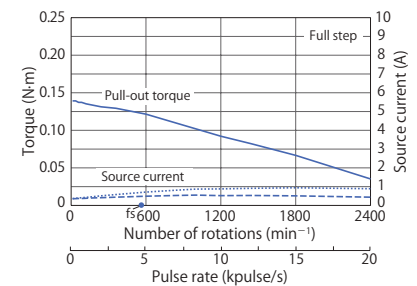
■ Torque Curve

Pull-out torque——
 Source current (no load)-----
 Source current (load applied).....
 fs: Maximum self-start frequency when not loaded
 With rubber coupling
 Driver: F5PAE140P100

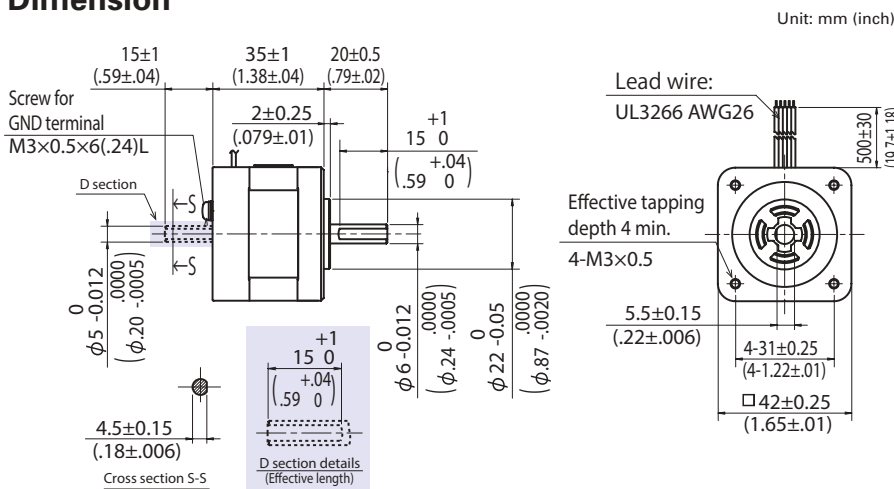
● SF5421-82 48 VDC Input



24 VDC Input

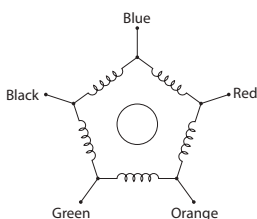


■ Dimension



■ Internal Wiring

Connection method:
New pentagon connection



● Direction of motor rotation

When excited by a direct current in the order shown below, the direction of rotation is clockwise as viewed from the output shaft side.

Lead wire color	Excitation sequence									
	1	2	3	4	5	6	7	8	9	10
Blue			+	+	+			-	-	-
Red	-	-			+	+	+			-
Orange		-	-	-			+	+	+	
Green	+			-	-	-			+	+
Black	+	+	+				-	-	-	

MOTOR FLANGE SIZE

42 mm (NEMA 17)

MOTOR LENGTH

41 mm (1.61 inch)

■ Specification

New pentagon winding, 0.72 °/step

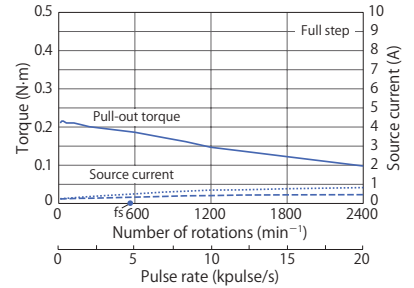
RoHS

Model	Single Shaft	SF5422-8241
Holding Torque	N·m	0.185
	oz·in	26.2
Rated Current	A/phase	1.4
Wiring Resistance	Ω/phase	0.55
Winding Inductance	mH/phase	0.66
Rotor Inertia	$\times 10^{-4}$ kg·m ²	0.045
	oz·in ²	0.246
Motor Weight	kg	0.31
	lb	0.68
Operating Temperature	-10 to 50°C (14 to 122 °F)	
Humidity	20 to 90% RH, no condensation	

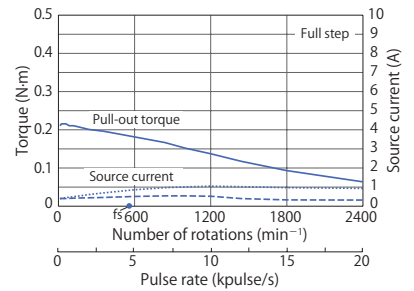
■ Torque Curve

Pull-out torque ———
 Source current (no load) - - - - -
 Source current (load applied) ······
 fs: Maximum self-start frequency when not loaded ●
 With rubber coupling
 Driver: F5PAE140P100

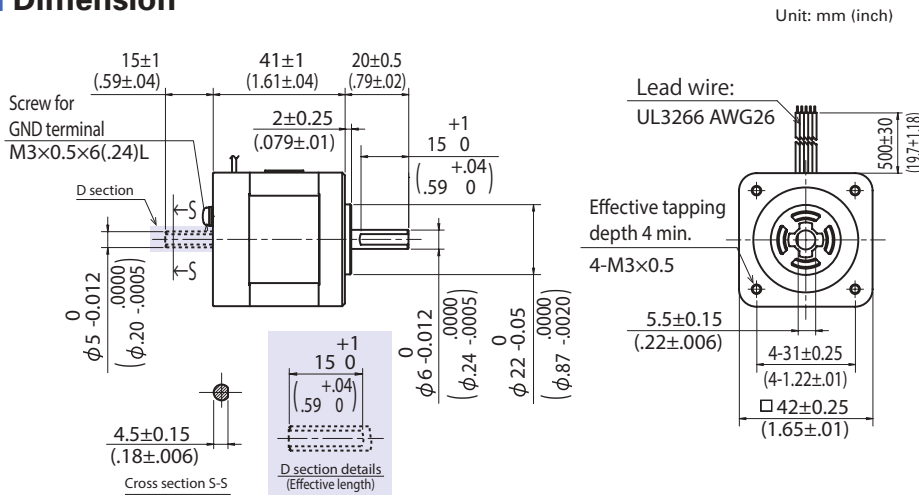
**● SF5422-82
48 VDC Input**



24 VDC Input

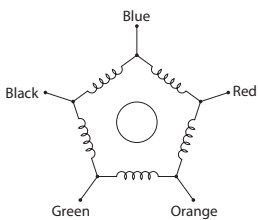


■ Dimension



■ Internal Wiring

Connection method:
 New pentagon connection



● Direction of motor rotation

When excited by a direct current in the order shown below, the direction of rotation is clockwise as viewed from the output shaft side.

Lead wire color	Excitation sequence									
	1	2	3	4	5	6	7	8	9	10
Blue			+	+	+			-	-	-
Red	-	-			+	+	+			-
Orange		-	-	-			+	+	+	
Green	+			-	-	-			+	+
Black	+	+	+				-	-	-	

5-PHASE STEPPING SYSTEMS

MOTOR FLANGE SIZE

42 mm (NEMA 17)

MOTOR LENGTH

49 mm (1.93 inch)

Specification

New pentagon winding, 0.72 °/step

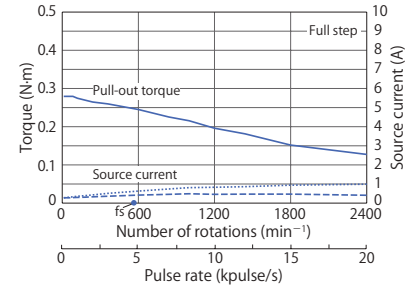
RoHS

Model	Single Shaft	SF5423-8241
Holding Torque	N·m	0.245
	oz·in	34.7
Rated Current	A/phase	1.4
Wiring Resistance	Ω/phase	0.65
Winding Inductance	mH/phase	0.75
Rotor Inertia	$\times 10^{-4}$ kg·m ²	0.056
	oz·in ²	0.306
Motor Weight	kg	0.38
	lb	0.84
Operating Temperature	-10 to 50°C (14 to 122 °F)	
Humidity	20 to 90% RH, no condensation	

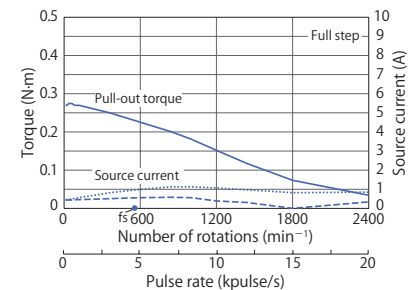
Torque Curve

Pull-out torque——
 Source current (no load)-----
 Source current (load applied).....
 fs: Maximum self-start frequency when not loaded
 With rubber coupling
 Driver: F5PAE140P100

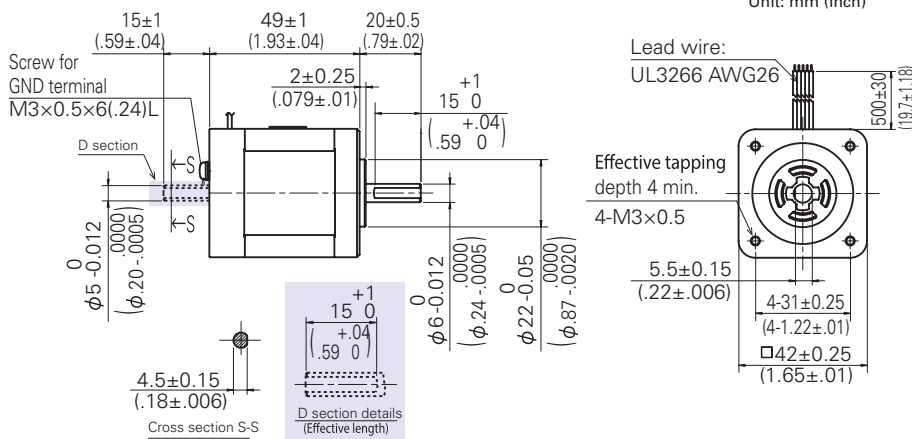
SF5423-82 48 VDC Input



24 VDC Input

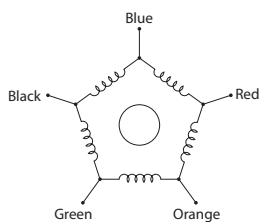


Dimension



Internal Wiring

Connection method:
New pentagon connection



Direction of motor rotation

When excited by a direct current in the order shown below, the direction of rotation is clockwise as viewed from the output shaft side.

Lead wire color	Excitation sequence									
	1	2	3	4	5	6	7	8	9	10
Blue			+	+	+			-	-	-
Red	-	-			+	+	+			-
Orange		-	-	-			+	+	+	
Green	+			-	-	-			+	+
Black	+	+	+				-	-	-	

MOTOR FLANGE SIZE

60 mm (2.36 inch)

MOTOR LENGTH

49 mm (1.93 inch)

■ Specification

New pentagon winding, 0.72 °/step

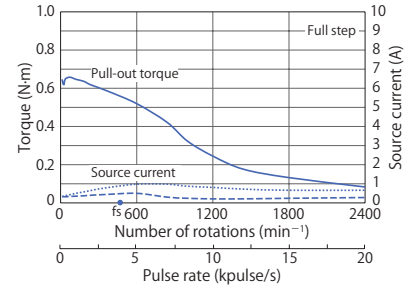


Model	Single Shaft	SM5601-8241
Holding Torque	N·m	0.57
	oz·in	80.7
Rated Current	A/phase	1.4
Wiring Resistance	Ω/phase	0.9
Winding Inductance	mH/phase	2.7
Rotor Inertia	$\times 10^{-4}$ kg·m ²	0.2
	oz·in ²	1.093
Motor Weight	kg	0.62
	lb	1.37
Operating Temperature	-10 to 40°C (14 to 104 °F)	
Humidity	95% RH max.: under 40°C, no condensation	

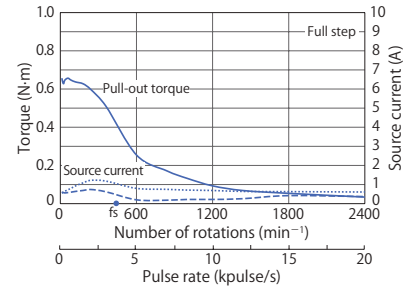
■ Torque Curve

Pull-out torque——
 Source current (no load)-----
 Source current (load applied).....
 fs: Maximum self-start frequency when not loaded ●
 With rubber coupling
 Driver: F5PAE140P100

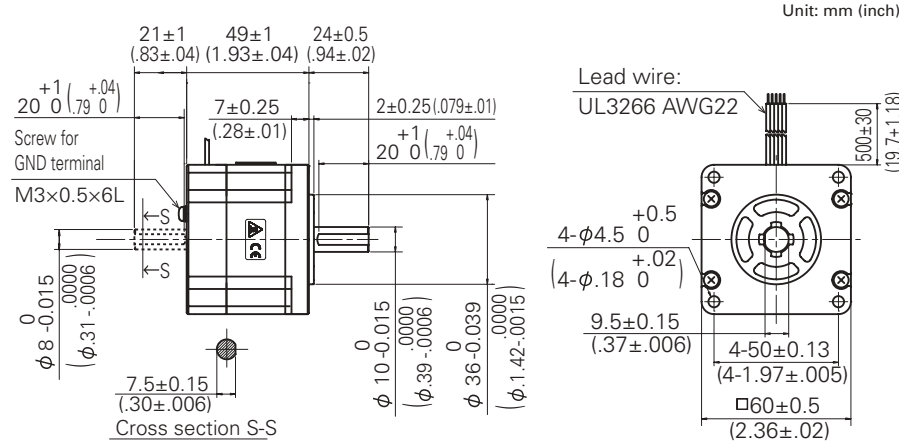
**● SM5601-82
48 VDC Input**



24 VDC Input

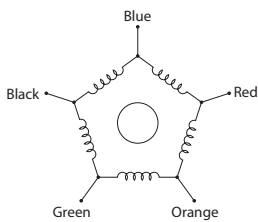


■ Dimension



■ Internal Wiring

Connection method:
 New pentagon connection



● Direction of motor rotation

When excited by a direct current in the order shown below, the direction of rotation is clockwise as viewed from the output shaft side.

Lead wire color	Excitation sequence									
	1	2	3	4	5	6	7	8	9	10
Blue			+	+	+			-	-	-
Red	-	-			+	+	+			-
Orange		-	-	-			+	+	+	
Green	+			-	-	-			+	+
Black	+	+	+				-	-	-	

5-PHASE STEPPING SYSTEMS

MOTOR FLANGE SIZE

60 mm (2.36 inch)

MOTOR LENGTH

60 mm (2.36 inch)

Specification

New pentagon winding, 0.72 °/step

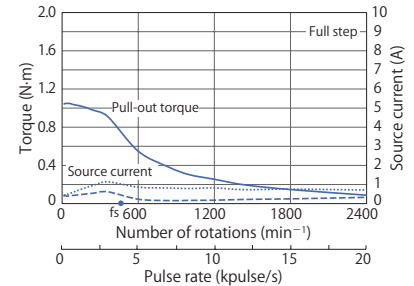


Model	Single Shaft	SM5602-8241
Holding Torque	N·m	0.9
	oz·in	127
Rated Current	A/phase	1.4
Wiring Resistance	Ω/phase	1.15
Winding Inductance	mH/phase	4.7
Rotor Inertia	$\times 10^{-4}$ kg·m ²	0.31
	oz·in ²	0.106
Motor Weight	kg	0.8
	lb	1.76
Operating Temperature	-10 to 40°C (14 to 104 °F)	
Humidity	95% RH max.: under 40°C, no condensation	

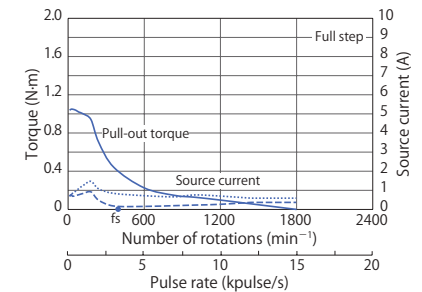
Torque Curve

Pull-out torque——
 Source current (no load)-----
 Source current (load applied).....
 fs: Maximum self-start frequency when not loaded●
 With rubber coupling
 Driver: F5PAE140P100

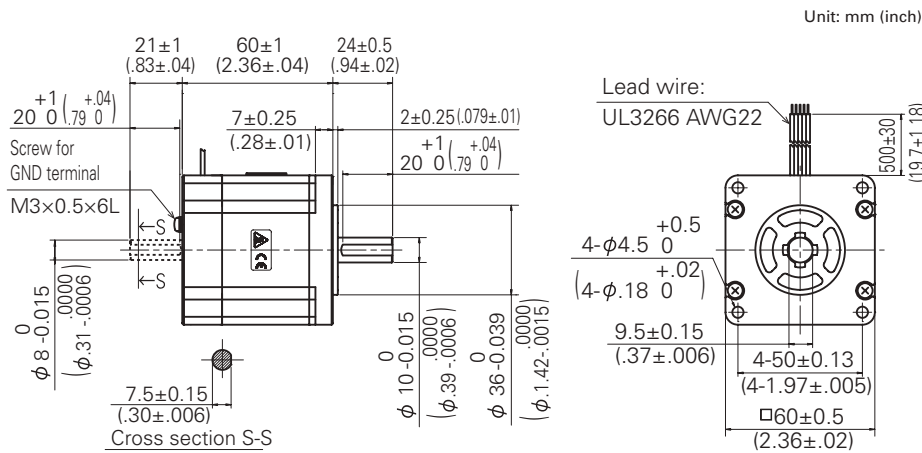
SM5602-82 48 VDC Input



24 VDC Input

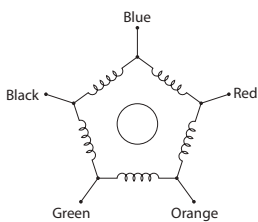


Dimension



Internal Wiring

Connection method:
 New pentagon connection



Direction of motor rotation

When excited by a direct current in the order shown below, the direction of rotation is clockwise as viewed from the output shaft side.

Lead wire color	Excitation sequence									
	1	2	3	4	5	6	7	8	9	10
Blue			+	+	+			-	-	-
Red	-	-			+	+	+			-
Orange		-	-	-			+	+	+	
Green	+			-	-	-			+	+
Black	+	+	+				-	-	-	

MOTOR FLANGE SIZE

60 mm (2.36 inch)

MOTOR LENGTH

89 mm (3.50 inch)

■ Specification

New pentagon winding, 0.72 °/step

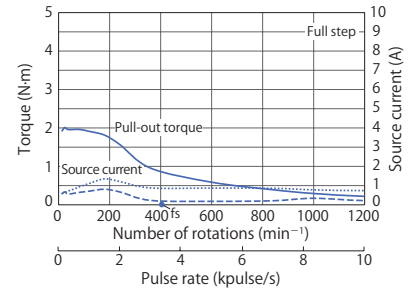


Model	Single Shaft	SM5603-8241
Holding Torque	N·m	1.7
	oz·in	241
Rated Current	A/phase	1.4
Wiring Resistance	Ω/phase	1.85
Winding Inductance	mH/phase	8.1
Rotor Inertia	$\times 10^{-4}$ kg·m ²	0.6
	oz·in ²	3.28
Motor Weight	kg	1.27
	lb	2.8
Operating Temperature	-10 to 40°C (14 to 104 °F)	
Humidity	95% RH max.: under 40°C, no condensation	

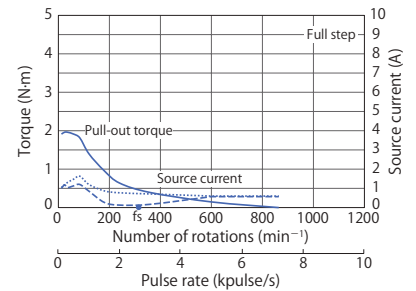
■ Torque Curve

Pull-out torque—
 Source current (no load)-----
 Source current (load applied).....
 fs: Maximum self-start frequency when not loaded ●
 With rubber coupling
 Driver: F5PAE140P100

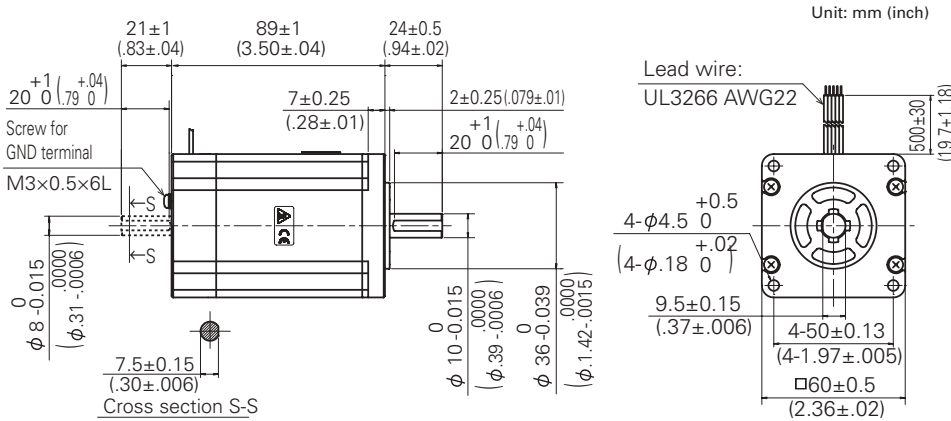
**● SM5603-82
48 VDC Input**



24 VDC Input

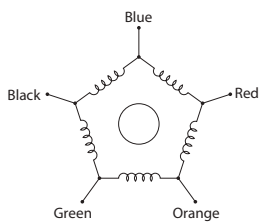


■ Dimension



■ Internal Wiring

Connection method:
 New pentagon connection



● Direction of motor rotation

When excited by a direct current in the order shown below, the direction of rotation is clockwise as viewed from the output shaft side.

Lead wire color	Excitation sequence									
	1	2	3	4	5	6	7	8	9	10
Blue			+	+	+			-	-	-
Red	-	-			+	+	+			-
Orange		-	-	-			+	+	+	
Green	+			-	-	-			+	+
Black	+	+	+				-	-	-	

5-PHASE STEPPING SYSTEMS

CYLINDER FLANGE SIZE

42 mm (1.65 inch)

CYLINDER LENGTH

87/117 mm (3.43/4.61 inch)

Specification

New pentagon winding

RoHS

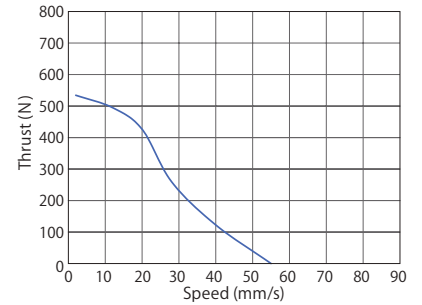
Model	Double Shaft	SL5421-7241
	w/ Brake	SL5421-72XB41
Stroke	mm	50
	in	1.97
Thrust	N	370
	lb	83.2
Rated Current	A/phase	0.75
Wiring Resistance	Ω /phase	1.9
Winding Inductance	mH/phase	2.3
Resolution	mm	0.004
	in	0.00016
Motor Weight	kg	0.65 (0.8*)
	lb	1.43 (1.8*)
Brake	Power Source	VDC / W
	Static Friction Torque	N
	lbs	
		24 VDC / 2.4 W
		370
		83.2

* Specifications for brake motor

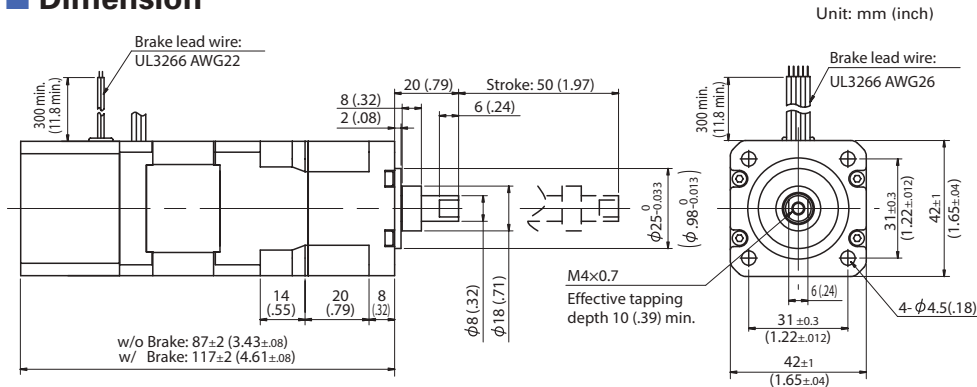
Torque Curve

Driver: FS1D140P10
 Source current: 24 VDC
 Excitation current: 0.75 A/phase
 Excitation mode: 4-phase excitation (Full step)

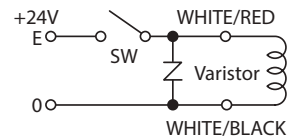
SL5421-72



Dimension

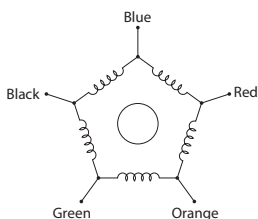


Brake Connection



Internal Wiring

Connection method:
 New pentagon connection



Direction of motor rotation

When excited by a direct current in the order shown below, the direction of rotation is clockwise as viewed from the output shaft side.

Lead wire color	Excitation sequence									
	1	2	3	4	5	6	7	8	9	10
Blue			+	+	+			-	-	-
Red	-	-			+	+				-
Orange		-	-	-			+	+	+	
Green	+			-	-	-			+	+
Black	+	+	+				-	-		

CYLINDER FLANGE SIZE

60 mm (2.36 inch)

CYLINDER LENGTH

135.6 mm (5.34 inch)

Specification

New pentagon winding

RoHS

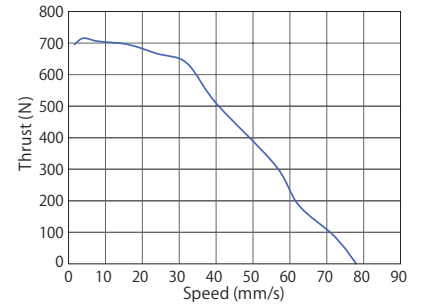
Model	Double Shaft	SL5601-8241	
	w/ Brake	SL5601-82XB41	
Stroke	mm	80	
	in	3.15	
Thrust	N	450	
	lbs	101	
Rated Current	A/phase	1.4	
Wiring Resistance	Ω /phase	0.77	
Winding Inductance	mH/phase	1.65	
Resolution	mm	0.008	
	in	0.00032	
Motor Weight	kg	1.4 (1.7*)	
	lb	3.09 (3.75*)	
Brake	Power Source	VDC / W	
	Static Friction Torque	N	450
		lbs	101

* Specifications for brake motor

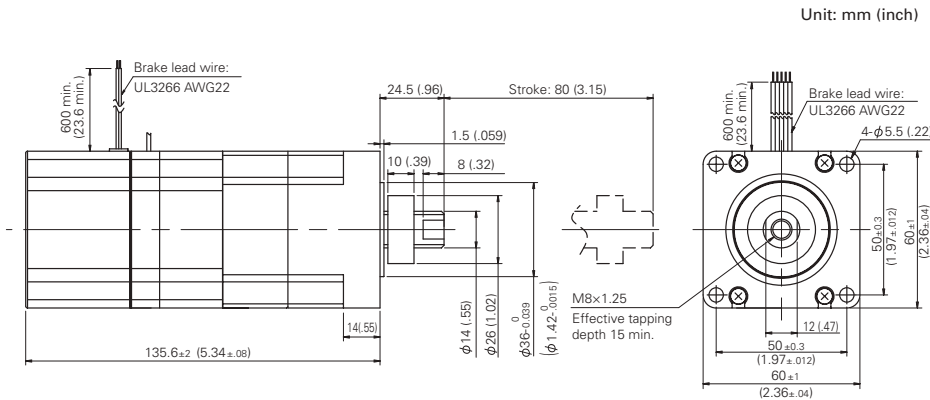
Torque Curve

Driver: FS1D140P10
 Source current: 24 VDC
 Excitation current: 1.4 A/phase
 Excitation mode: 4-phase excitation (Full step)

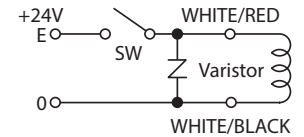
SL5601-82



Dimension

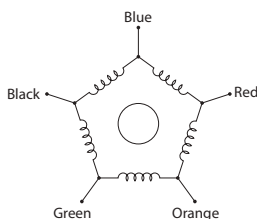


Brake Connection



Internal Wiring

Connection method:
 New pentagon connection



Direction of motor rotation

When excited by a direct current in the order shown below, the direction of rotation is clockwise as viewed from the output shaft side.

Lead wire color	Excitation sequence									
	1	2	3	4	5	6	7	8	9	10
Blue			+	+	+					
Red	-	-			+	+	+			-
Orange		-	-	-			+	+	+	
Green	+			-	-	-			+	+
Black	+	+	+			-	-	-		

5-PHASE STEPPING SYSTEMS

5-Phase DC Input Micro-step Driver

Specification

Basic specifications	Model number	F5PAE140P100	
	Main circuit power	24 VDC/48 VDC $\pm 10\%$ *1	
	Main circuit power supply current	3 A	
	Environment	Protection class	Class III
		Operation environment	Installation category (over-voltage category): I (CE) Pollution level: 2
		Operating ambient temperature	0 to +50°C
		Storage temperature	-20 to +70°C
		Operating ambient humidity	35 to 85% RH (no condensation)
		Storage humidity	10 to 90% RH (no condensation)
		Operation altitude	1000 m or less above sea level
		Vibration resistance	Tested under the following conditions; 5 m/s ² , frequency range 10 to 55 Hz, direction along X, Y and Z axes, for 2 hours each
		Impact resistance	20 m/s ²
		Withstandable voltage	Not influenced when 0.5 kVAC is applied between power input terminal and cabinet for one minute.
	Insulation resistance	10 M Ω min. when measured with 500 VDC megohmmeter between input terminal and cabinet.	
Mass	0.23 kg		
Functions	Selection function	Pulse input type (1-input type/2-input type), low-vibration mode (low-vibration drive/ microstep drive), resolution (2-phase mode/5-phase mode), output signal (phase origin monitor/alarm), operating current, step-angle	
	Protection functions	Overcurrent protection	
	LED indication	Power supply monitor, alarm display (main power supply under- and overvoltage, regenerative fault, overcurrent fault, hardware fault)	
I/O signals	Auto-Current-Down canceling input signal	Photocoupler input system; input resistance: 330 Ω Input-signal "H" level: 4.5 to 5.5 V; input-signal "L" level: 0 to 0.5 V	
	Step-angle selection input	Photocoupler input system; input resistance: 330 Ω Input-signal "H" level: 4.5 to 5.5 V; input-signal "L" level: 0 to 0.5 V	
	Command pulse input signal	Photocoupler input system; input resistance: 330 Ω Input-signal "H" level: 4.5 to 5.5 V; input-signal "L" level: 0 to 0.5 V Provided that voltage between Level H to L shall be 4.5 V or over. Maximum input frequency: 400 kpulse/s	
	Power down input signal	Photocoupler input system; input resistance: 330 Ω Input-signal "H" level: 4.5 to 5.5 V; input-signal "L" level: 0 to 0.5 V	
	Phase origin monitor output signal/ Alarm output signal	Open collector output via photocoupler Output signal standard Vceo: 30 V or less *2, Ic: 5 mA or less, Vce (sat): 1.0 V or less	

*1 Use either 24 VDC $\pm 10\%$ or 48 VDC $\pm 10\%$ for main circuit power supply. Make sure never exceed 60 VDC, even if power supply voltage increases due to counter-electromotive force after misstep occurs. If there are any possibilities of exceeding 60 VDC, connect optional regenerative resistor. Regenerative resistor use is recommended if you operate with 60 mm sq. or 86 mm sq. motor.

*2 Make sure the voltage used for output signal is 5 VDC or over.

Safety Standards

	Directives	Category	Standard	Name
CE (TÜV)	Low-voltage directives	–	EN61800-5-1	–
		EMC directives	Emission	EN61000-6-4
	EN61000-6-4			Electromagnetic radiation disturbance
	EN61000-4-2			ESD (Electrostatic discharge)
	Immunity		EN61000-4-3	RS (Radio-frequency amplitude modulated electromagnetic field)
			EN61000-4-4	Fast transients
			EN61000-4-5	CS (Radio-frequency common mode)
	EN61000-4-6	Surges		
UL	Acquired standards		Applicable standard	File No.
	UL		UL508C	E179775
	UL for Canada (c-UL)			

- EMC characteristics may vary depending on the configuration of the users' control panel, which contains the driver or stepping motor, or the arrangement and wiring of other electrical devices.
Parts for EMC noise suppression like noise filters and toroidal type ferrite cores may be required depending on circumstances.
- Validation test of driver has been performed for low-voltage EMC directives at TÜV (TÜV product service) for self-declaration of CE marking.

Driver Controls and Connectors

- 2 Function select DIP switch (DSW1)
- 1 Operating current select switch (RUN)
- 3 Step angle select switch (SS1, SS2)

I/O signal interface connector (CN2)

- I/O Cable 1m P/N: FC3S0010A
- I/O Cable 2m P/N: FC5S0020A
- I/O Connector P/N: FC5S0000A

Motor connector port (CN3)
Motor Cable 1m P/N: FC3M0010A

Connector for regeneration resistor* (CN4)

- 5 LED for alarm display (ALM)
- 4 LED for power supply monitor (POW)

Power supply connector port (CN1)
Power Cable 1m P/N: FC3P0010A

1 Operating current select switch (RUN)

Operating motor current value can be set with the rotary switch.

Dial	0	1	2	3	4	5	6	7
Stepping motor current (A)	1.4	1.35	1.3	1.25	1.2	1.15	1.1	1.05
Dial	8	9	A	B	C	D	E	F
Stepping motor current (A)	1.0	0.95	0.9	0.85	0.8	0.75	0.7	0.65

- The factory default value is F (0.65 A).
- Please check the rated current of the motor to be combined before selecting the operation current.
- If there are sufficient margin of motor torque, decreasing operating current value becomes effective for vibration reduction. Motor output torque is approximately proportional to current.
- Make sure to confirm there are sufficient operation margin before determining motor current value to adjust operating current.

2 Function select DIP switch (DSW1)

Select the function depending on your specification.
Factory default settings

F/R	<input type="checkbox"/>	OFF	2-input type (CW/CCW pulse input)
LV	<input type="checkbox"/>	OFF	Microstep
DSEL	<input type="checkbox"/>	OFF	5-phase mode
MODE1	<input type="checkbox"/>	OFF	Phase origin monitor output
SP1	<input type="checkbox"/>		Settings vary depending on motors to be connected. Perform setting for motor you use first by confirming the [table of setting for motors to be connected] below.
SP2	<input type="checkbox"/>		
SP3	<input type="checkbox"/>		
MODE2	<input type="checkbox"/>	OFF	Reservation (Don't turn it ON)

- Perform setting for motor to be connected first.
- Make sure to turn off power supply of the driver when changing setting s of function select DIP switch.

[Table of setting for motors to be connected]

SP1	SP2	SP3	Motor to be connected
OFF	OFF	OFF	SH5281-72□□, SH5285-72□□, SF5421-82□□
OFF	OFF	ON	SF5422-82□□
OFF	ON	OFF	SF5423-82□□
OFF	ON	ON	SM5601-82□□
ON	OFF	OFF	SM5602-82□□
ON	OFF	ON	SM5603-82□□, SM5861-82□□
ON	ON	OFF	SM5862-82□□

1. Pulse input type selection (F/R)

Select the input pulse type.

F/R	Pulse input type
ON	1-input type (CK, U/D)
OFF	2-input type (CW, CCW)

2. Low-vibration mode select (LV)

Provides low-vibration, smooth operation even if resolution is rough (1-division, 2-division, etc)

LV	Operation
ON	Low-vibration drive
OFF	Microstep

3. Resolution selection (DSEL)

Select the step angle select switch (SS1, SS2) mode.

DSEL	Resolution mode
ON	2-phase mode: Operation as normal 2-phase stepping system at 1.8° to 0.00703125°-step angle is available.
OFF	5-phase mode: Operation as normal 5-phase stepping system at 0.72° to 0.00288°-step angle is available.

4. Output signal selection (MODE1)

Select the output signal

MODE1	Output signal
ON	Alarm output
OFF	Phase origin monitor output

5 to 7. Motor selection (SP1, SP2, SP3)

Perform setting for motor you use first by confirming the [table of setting for motors to be connected].

8. (MODE2)

Do not turn ON this switch.

3 Step angle select switch (SS1, SS2)

The number of divisions of the stepping motor basic step angle can be set with the rotary switch.

After selecting 2- or 5-phase mode by function select DIP switch 3 (DSEL), set the step angle select switches for the desired step angle.

5-Phase Mode: DSW1 function select DIP switch 3 = OFF				2-Phase Mode: DSW1 function select DIP switch 3 = ON			
SS1, SS2	Number of divisions	Resolution	Basic step angle	SS1, SS2	Number of divisions	Resolution	Basic step angle
0	1	500	0.72°	0	0.4	200	1.8°
1	2	1000	0.36°	1	0.8	400	0.9°
2	2.5	1250	0.288°	2	1.6	800	0.45°
3	4	2000	0.18°	3	2	1000	0.36°
4	5	2500	0.144°	4	3.2	1600	0.225°
5	8	4000	0.09°	5	4	2000	0.18°
6	10	5000	0.072°	6	6.4	3200	0.1125°
7	20	10000	0.036°	7	10	5000	0.072°
8	25	12500	0.0288°	8	12.8	6400	0.05625°
9	40	20000	0.018°	9	20	10000	0.036°
A	50	25000	0.0144°	A	25.6	12800	0.028125°
B	80	40000	0.009°	B	40	20000	0.018°
C	100	50000	0.0072°	C	50	25000	0.0144°
D	125	62500	0.00576°	D	51.2	25600	0.0140625°
E	200	100000	0.0036°	E	100	50000	0.0072°
F	250	125000	0.00288°	F	102.4	51200	0.00703125°

- Factory default setting: SS1 = 1 and SS2 = 0
- Set the step angle select input (DSEL) to select SS1 or SS2, then set the rotary switch.

4 LED for power supply monitor (POW)

Lights up when the control power and main circuit power supply are connected.

5 LED for alarm display (ALM)

Flashes repeatedly when an alarm is generated.

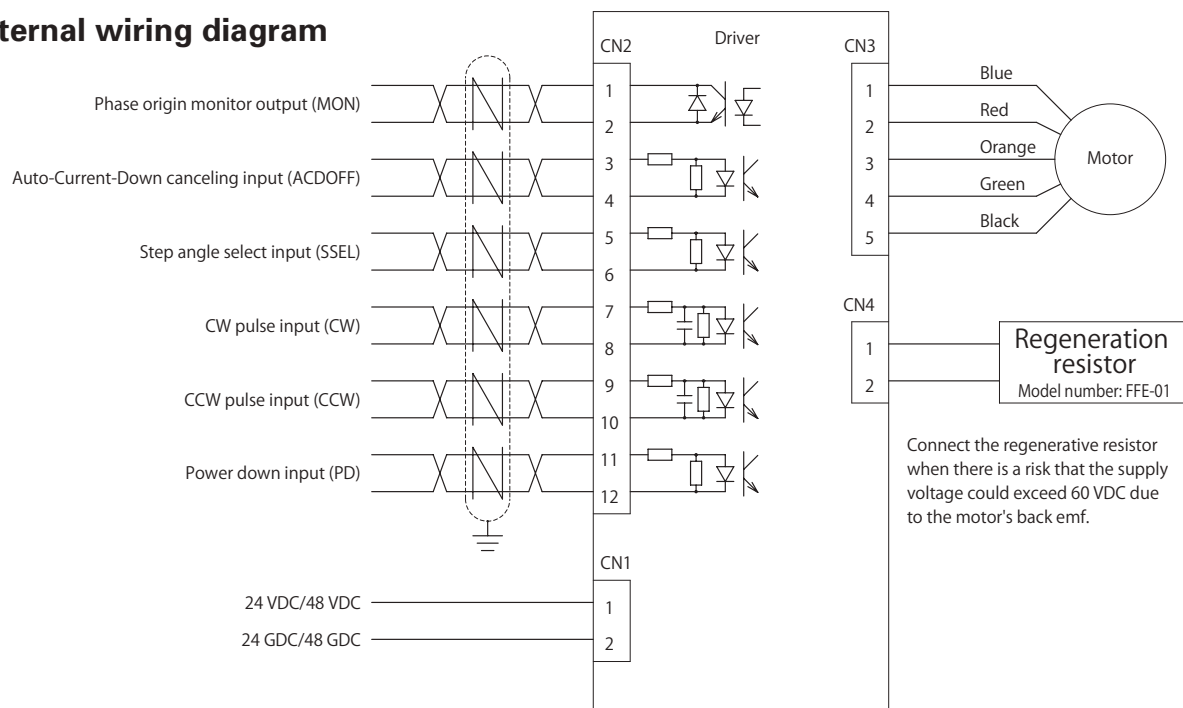
Indication	Explanation
"ALM" repeats single-flashing.	Main power supply voltage drop (Detected when excitation is on.)
"ALM" repeats double-flashing.	Overvoltage of main power supply (Detected when motor stops.)
"ALM" repeats triple-flashing.	Regeneration error (Detected when motor is operating.)
"ALM" repeats quadruple-flashing.	Overcurrent error
"ALM" repeats five-times-flashing.	Hardware error

- When alarm activated, stepping motor winding current is interrupted and then the state becomes "not-excited" at the same time that LED "ALM" flashes. When "DSW1: MODE1" is set to ON, signal is output outward from alarm output terminal (AL). (Photocoupler is turned on.) This state is maintained until the power supply is turned off. Please re-turn on the power supply after eliminating alarm cause.

5-PHASE STEPPING SYSTEMS

Connections Signals

External wiring diagram



Applicable Wire Sizes

Part	Applicable wire	Insulation diameter	Wiring length
For power supply	AWG20 (0.5 mm ²) to AWG18 (0.75 mm ²)	ø1.7 to ø3.0 mm	Under 3 m
For input/output signal	AWG24 (0.2 mm ²) to AWG22 (0.3 mm ²)	ø1.15 to ø1.8 mm	Under 3 m
For motor	AWG20 (0.5 mm ²) to AWG18 (0.75 mm ²)	ø1.7 to ø3.0 mm	10 m max.

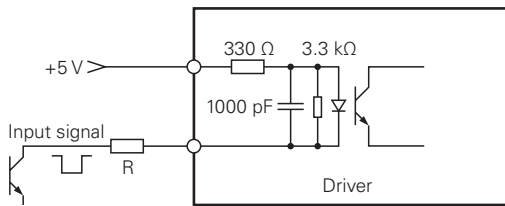
When bundling wire together or running wires through duct, take reduction rate of each wire allowable current into consideration. When ambient temperature is relatively high, wire product lifetime is reduced due to heat deterioration. In this case, please use Heat resistant Indoor PVC (HIV).

Specification summary of I/O signals

Signal name	CN2 Pin number	Function summary
Phase origin monitor output (standard)	1	DSW1 MODE1=OFF
	2	Photocoupler is turned on when excitation phase is the origin (the state power supply is turned on).
Alarm output	1	DSW1 MODE1=ON
	2	Photocoupler is turned on when the driver is in the state of alarm being activated.
Auto-Current-Down canceling input	3	Inputting this signal (internal photpcoupler is turned on) disables Auto-Current-Down function.
	4	
Step angle select input	5	Division numbers can be switched via SSEL-signal.
	6	Internal photocoupler is OFF ... Setting via rotary switch SS1 enabled
	6	Internal photocoupler is ON ... Setting via rotary switch SS2 enabled
CW pulse input (standard)	7	When in "2-input type", input the drive pulse that rotates in a CW direction.
	8	
Pulse train input	7	When in "1-input type", input the drive pulse train for motor rotation.
	8	
CCW pulse input (standard)	9	When in "2-input type", input the drive pulse that rotates in a CCW direction.
	10	
Rotational direction input	9	When in "1-input type", input the motor rotational direction signal.
	10	Internal photocoupler ON ... CW direction
	10	Internal photocoupler OFF ... CCW direction
Power down input	11	Inputting this signal (internal photocoupler is turned on) shuts off the current carried to motor.
	12	

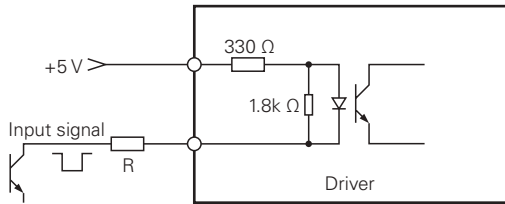
As for the motor rotational direction, CW direction is regarded as the clockwise rotation, and CCW direction is regarded as the counterclockwise rotation by viewing the motor from output shaft side.

Pulse Input



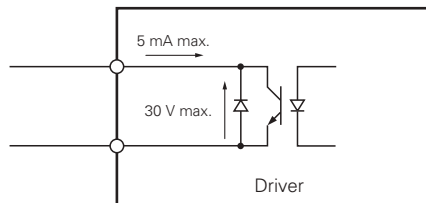
- Pulse duty 50% max.
- Maximum input frequency: 400 kpulse/s
- When the crest value of the input signal exceeds 5 V, use the external limit resistance R to limit the input current to approximately 10 mA. (Take the photocoupler forward voltage (1.5 V) into consideration.)

Input Circuit Configuration of ACDOFF, SSEL, PD

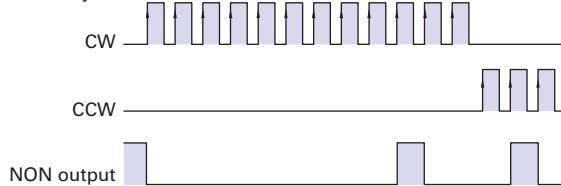


- When the crest value of the input signal exceeds 5 V, use the external limit resistance R to limit the input current to approximately 10 mA. (Take the photocoupler forward voltage (1.5 V) into consideration.)

Output Signal Configuration of MON, AL



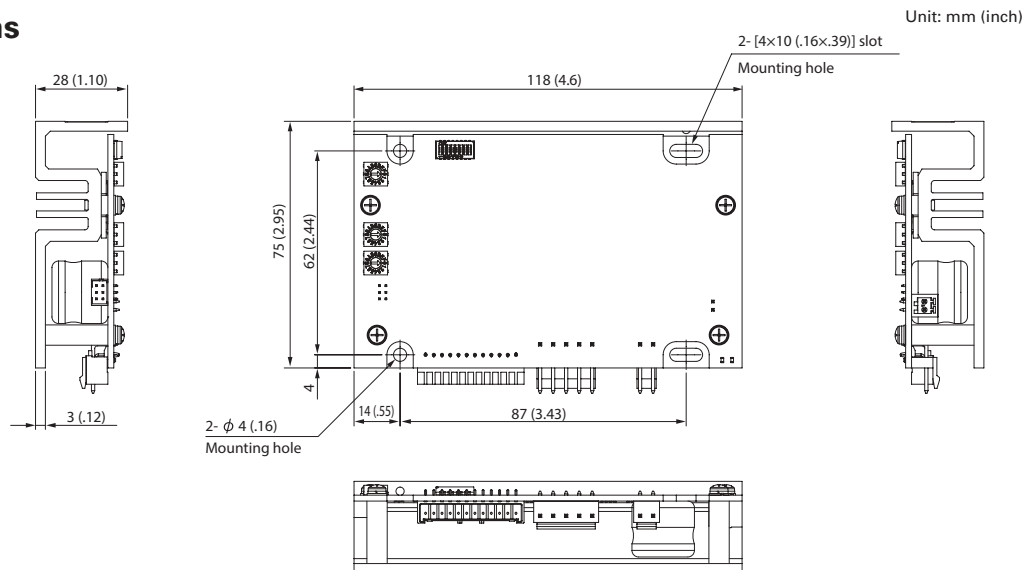
MON output



Example: 5-phase mode, 1 division (Full step)

- When the motor excitation phase is at the phase origin (power ON status), the photocoupler is ON.
- Inputting pulse turns on photocoupler every 7.2° of motor output axis from phase origin.
- Set command frequency to 50 kpulse/s or less to use phase origin monitor.
- Perform switching of division number via step-angle selection input signal (SSEL) with phase origin monitor output turned on and motor being stopped.
- Switching division number at the point other than excitation origin may cause that phase origin monitor output is not correctly output.

Dimensions



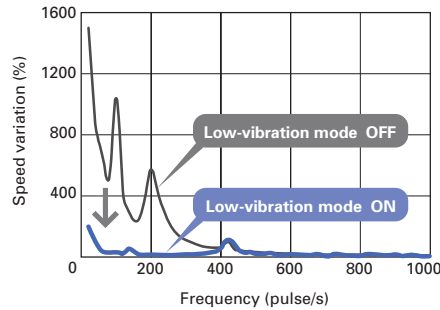
2-PHASE STEPPING SYSTEMS

SANMOTION F2

2-PHASE STEPPING SYSTEMS

Low Vibration

This driver features approximately 10% less vibration compared with our conventional product. Also, a low-vibration mode function provides smooth driving, even with one-division (full-step) and two-division (half-step) coarse resolution settings. This allows vibrations to be suppressed without control system restrictions.



Lineup

Motor Size	N·m oz·in	Amp	Model	Shape	Driver									Page	
					DC Input						AC Input				
					BS1D200P10 24/36 VDC	A-CSD 02.V 24 to 45 VDC	A-CSD 04.V 24 to 45 VDC	CSD J4 24 to 45 VDC	A-NDC 06.V 24 to 85 VDC	ADW 24 to 75 VDC	X-PLUS B4 110 - 230 VAC	X-MIND B6 110 - 230 VAC	X-MIND K6 110 - 230 VAC		
14 mm 0.55 inch	0.0065	0.3	SH2141-5541	S											118
	0.92		SH2141-5511	D											
	0.01	0.4	SH2145-5641	S											
	1.42		SH2145-5611	D											
28 mm NEMA 11	0.07	0.5	SH2281-5671	S	■	■									119
	9.91		SH2281-5631	D											
	0.07	1	SH2281-5771	S	■	■									
	9.91		SH2281-5731	D											
	0.145	0.5	SH2285-5671	S	■										120
	20.53		SH2285-5631	D											
	0.145	1	SH2285-5771	S	■	■									
	20.53		SH2285-5731	D											
42 mm NEMA 17	0.083	1	SS2421-5041	S	■	■									121
	11.75		SS2422-5041	S	■	■									
	0.186	1	SS2422-5041	S	■	■									
	26.33		SS2422-5041	S	■	■									
	0.25	0.5	103H5205-5140	S	■										122
	35.4		103H5205-5140	S	■										
	0.29	1	SF2421-10B41	S	■	■									123
	41.07		SF2421-10B11	D											
	0.38	0.5	103H5208-5140	S	■										124
	53.81		103H5208-5140	S	■										
	0.43	1	SF2422-10B41	S	■	■									125
	60.89		SF2422-10B11	D											
	0.49	0.5	103H5210-5140	S	■										126
	69.39		103H5210-5140	S	■										
0.51	1	103H5210-5214	D, TAP	■	■									127	
72.22		103H5210-52XB12	D, BRK, TAP	■	■										
0.8	1	SF2423-10B41	S	■										128	
113.3		SF2423-10B11	D												
0.37	1	SF2424-10B41	S	■										129	
52.39		SF2424-10B11	D												
42 mm NEMA 17 0.9°/step	0.23	2	SH1421-5241	S	■	■									130
	32.5		SH1421-5241	S	■	■									
	0.35	2	SH1422-5241	S	■	■									131
	48.1		SH1422-5241	S	■	■									
50 mm 1.97 inch	0.48	2	SH1424-5241	S	■	■									132
	37.9		SH1424-5241	S	■	■									
	0.1	1	SS2501-8040	S	■	■									133
	14.16		SS2501-8040	S	■	■									
0.215	1	SS2502-8040	S	■	■									133	
30.44		SS2502-8040	S	■	■										

Lineup

Motor Size	N·m oz·in	Amp	Model	Shape	Driver									Page	
					DC Input						AC Input				
					BS1D200P10 24/36 VDC	A-CSD 02.V 24 to 45 VDC	A-CSD 04.V 24 to 45 VDC	CSD J4 24 to 45 VDC	A-NDC 06.V 24 to 85 VDC	ADW 24 to 75 VDC	X-PLUS B4 110 - 230 VAC	X-MIND B6 110 - 230 VAC	X-MIND K6 110 - 230 VAC		
56 mm NEMA 23	0.55 77.9	2	103H7121-5740 103H7121-5710	S D	■	■			■	■					134
	0.55 77.9	3	103H7121-5840	S			■	■	■	■					
	1 141.6	2	103H7123-5740 103H7123-5710	S D	■	■			■	■					135
	1 141.6	3	103H7123-5840	S			■	■	■	■					
	1.6 226.6	2	103H7126-5740 103H7126-5710	S D	■	■			■	■					136
	1.6 226.6	3	103H7126-5840	S			■	■	■	■					
	2 283.2	2	103H7128-5740 103H7128-5710	S D	■	■			■	■					137
	2 283.2	3	103H7128-5840	S			■	■	■	■					
	1 141.6	3	SP2563-5260 SP2563-5200 SP2566-5260	S, CBL S, CONN S, CBL			■	■	■	■					138
	1.7 240.7	3	SP2566-5200	S, CONN			■	■	■	■					
	60 mm 2.36 inch w/ NEMA 23 mounting	0.88 124.6	2	103H7821-5760 103H7821-5730 103H7821-1760	S D S	■	■			■	■				140
		0.88 124.6	4	103H7821-1730 103H7822-5760	D S			■	■	■	■				
		1.37 194	2	103H7822-5730	D	■	■			■	■				141
		1.37 194	4	103H7822-1760 103H7822-1730	S D			■	■	■	■				
1.1 155.8		4.4	103H7822-2511 103H7822-25XB12	D D, BRK					■	■				142	
2.7 382.3		2	103H7823-5760 103H7823-5730 103H7823-1760	S D S	■	■			■	■					
2.7 382.3		4	103H7823-1730	D			■	■	■	■				143	
0.69 97.7		2	SH1601-5240	S	■	■			■	■					
1.28 181.2		2	SH1602-5240	S	■	■			■	■				145	
2.15 304.4		2	SH1603-5240	S	■	■			■	■					
86 mm NEMA 34		3.3 467.3	2	SM2861-5052	S							■			147
		3.3 467.3	4	SM2861-5152 SM2861-5122	S D					■	■	■	■	■	
		3.3 467.3	6	SM2861-5252	S					■	■		■	■	
		6.4 906.3	2	SM2862-5052	S										148
	6.4 906.3	4	SM2862-5152 SM2862-5122	S D					■	■	■	■	■		
	6.4 906.3	6	SM2862-5252 SH2862-52XB12	S D, BRK					■	■		■	■	149	
	9 1274.5	2	SM2863-5052	S											
	9 1274.5	4	SM2863-5152 SM2863-5122	S D					■	■	■	■	■	150	
	9 1274.5	6	SM2863-5252	S					■	■		■	■		
	6.4 906.3	6	SP2862-5260	S, CBL					■	■		■	■	151	
	9 1274.5	6	SP2863-5260	S, CBL					■	■		■	■		
	106 mm NEMA 42	13.2 1869.2	6	103H89222-5241	S								■	■	153
		19 2690.5	6	103H89223-5241	S									■	
		0.37 52.39	2	103H5208-49V40	S, CBL	■	■			■	■				155
0.45 63.72	2	103H7121-47V40	S, CBL	■	■			■	■						

Shape S: Single Shaft D: Double Shaft CBL: Cable Type CONN: Connector Type BRK: Electrical Magnetic Brake Equipped

2-PHASE STEPPING SYSTEMS

MOTOR FLANGE SIZE

14 mm (0.55 inch)

MOTOR LENGTH

30/43.8 mm (1.18/1.72 inch)

Specification

Bipolar winding, 1.8°/step

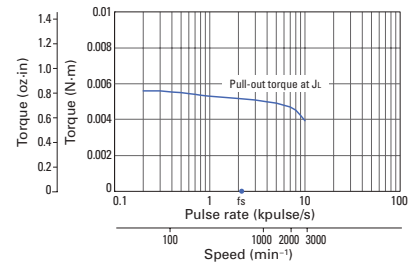
RoHS

Model	Single Shaft	SH2141-5541	SH2145-5641
	Double Shaft	SH2141-5511	SH2145-5611
Holding Torque	N·m	0.0065	0.01
	oz·in	0.92	1.42
Rated Current	A/phase	0.3	0.4
Wiring Resistance	Ω/phase	21	19
Winding Inductance	mH/phase	4.2	4
Rotor Inertia	$\times 10^{-4}$ kg·m ²	0.00058	0.0011
	oz·in ²	0.0032	0.0060
Motor Weight	kg	0.028	0.042
	lb	0.062	0.093
Operating Temperature	-10 to 50°C (14 to 122 °F)		
Humidity	20 to 90% RH, no condensation		

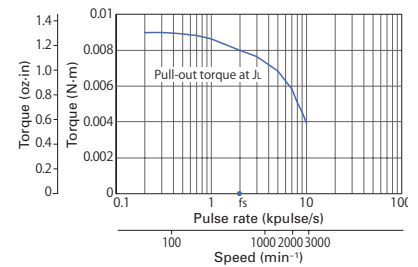
Torque Curve

Constant current circuit, Source voltage: 24 VDC | Operating current: Rated Current, 2-phase energization (full-step) | $J_L = [0.01 \times 10^{-4} \text{ kg}\cdot\text{m}^2 (0.05 \text{ oz}\cdot\text{in}^2)]$ pulley balancer method | fs: Maximum self-start frequency when not loaded

SH2141-55

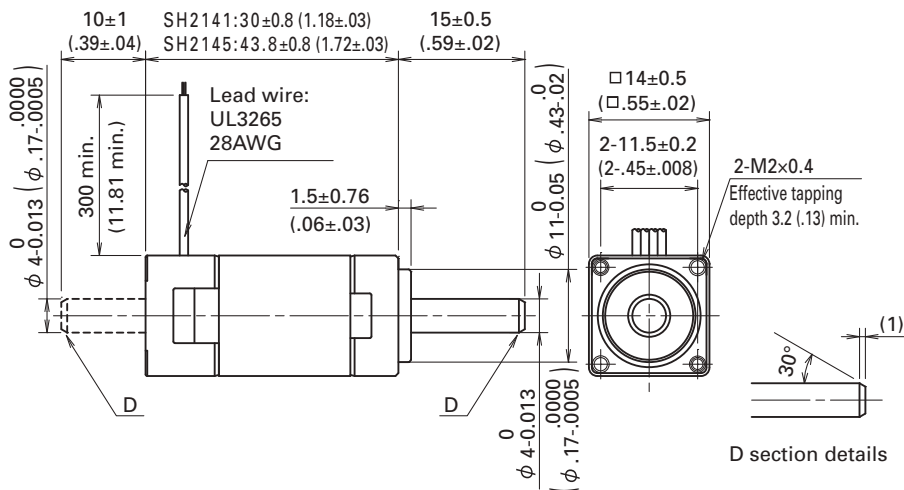


SH2145-56



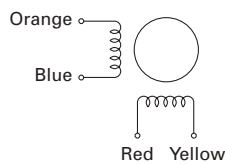
Dimension

Unit: mm (inch)



D section details

Internal Wiring



Direction of motor rotation

When excited by a direct current in the order shown below, the direction of rotation is clockwise as viewed from the output shaft side.

Lead wire color	RED	BLU	YEL	ORG
Excitation sequence	1	-	-	+
	2	+	-	+
	3	+	+	-
	4	-	+	+

MOTOR FLANGE SIZE

28 mm (NEMA 11)

MOTOR LENGTH

32 mm (1.26 inch)

Specification

Bipolar winding, 1.8°/step

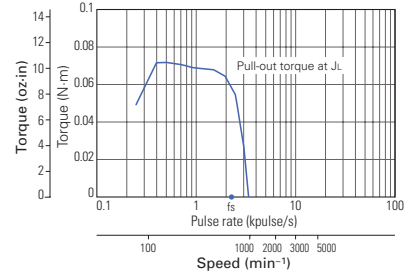
RoHS

Model	Single Shaft	SH2281-5671	SH2281-5771
	Double Shaft	SH2281-5631	SH2281-5731
Holding Torque	N·m	0.07	0.07
	oz·in	9.91	9.91
Rated Current	A/phase	0.5	1
Wiring Resistance	Ω/phase	10.5	2.6
Winding Inductance	mH/phase	7.2	1.85
Rotor Inertia	$\times 10^{-4}$ kg·m ²	0.01	0.01
	oz·in ²	0.05	0.05
Motor Weight	kg	0.11	0.11
	lb	0.24	0.24
Operating Temperature	-10 to 50°C (14 to 122°F)		
Humidity	20 to 90% RH, no condensation		

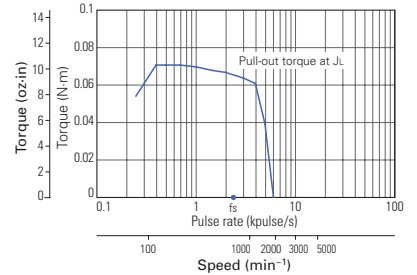
Torque Curve

Constant current circuit, Source voltage: 24 VDC | Operating current: Rated Current, 2-phase energization (full-step) | $JL=[0.01 \times 10^{-4} \text{kg}\cdot\text{m}^2(0.05 \text{oz}\cdot\text{in}^2)$ pulley balancer method | f_s : Maximum self-start frequency when not loaded

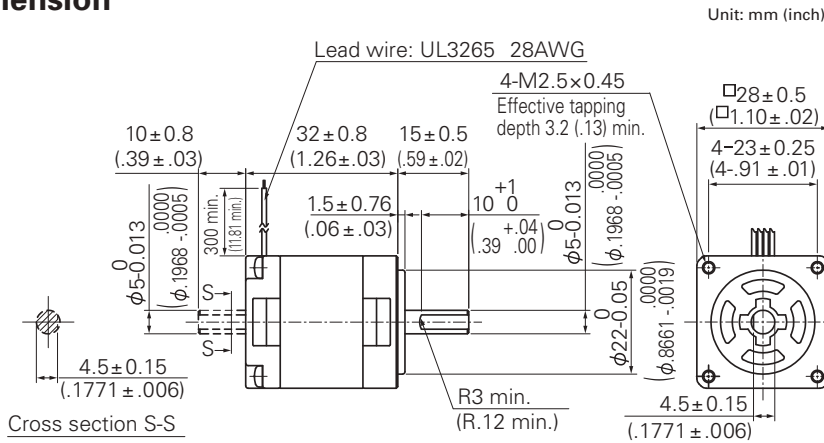
SH2281-56



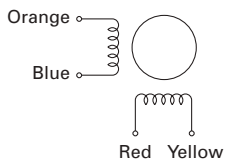
SH2281-57



Dimension



Internal Wiring



Direction of motor rotation

When excited by a direct current in the order shown below, the direction of rotation is clockwise as viewed from the output shaft side.

Lead wire color	RED	BLU	YEL	ORG
Excitation sequence 1	-	-	+	+
Excitation sequence 2	+	-	-	+
Excitation sequence 3	+	+	-	-
Excitation sequence 4	-	+	+	-

MOTOR FLANGE SIZE

42 mm (NEMA 17)

MOTOR LENGTH

11.6/18.6 mm (.457/.732 inch)

Specification

Bipolar winding, 1.8°/step

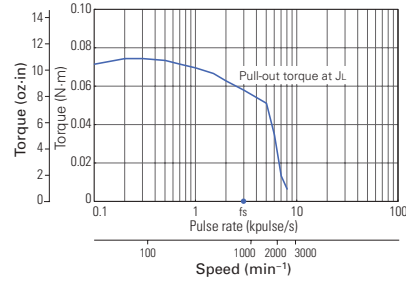
RoHS

Model	Single Shaft	SS2421-5041	SS2422-5041
Holding Torque	N·m	0.083	0.186
	oz·in	11.75	26.33
Rated Current	A/phase	1	1
Wiring Resistance	Ω/phase	3.5	5.4
Winding Inductance	mH/phase	1.2	2.9
Rotor Inertia	$\times 10^{-4}$ kg·m ²	0.015	0.028
	oz·in ²	0.082	0.153
Motor Weight	kg	0.07	0.14
	lb	0.15	0.31
Operating Temperature		-10 to 50°C (14 to 122°F)	
Humidity		20 to 90% RH, no condensation	

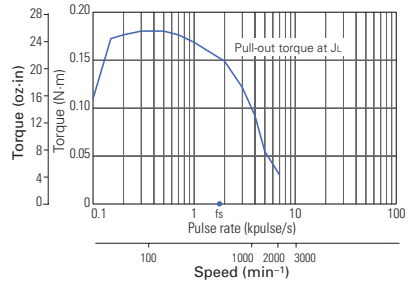
Torque Curve

Constant current circuit, Source voltage: 24 VDC | Operating current: Rated Current, 2-phase energization (full-step) | $JL = [0.33 \times 10^{-4} \text{kg}\cdot\text{m}^2 (1.80 \text{oz}\cdot\text{in}^2)$ pulley balancer method | f_s : Maximum self-start frequency when not loaded

SS2421-5041

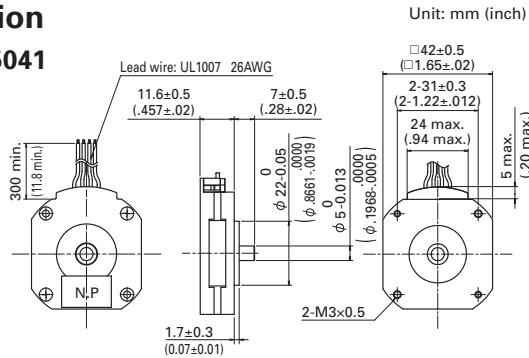


SS2422-5041

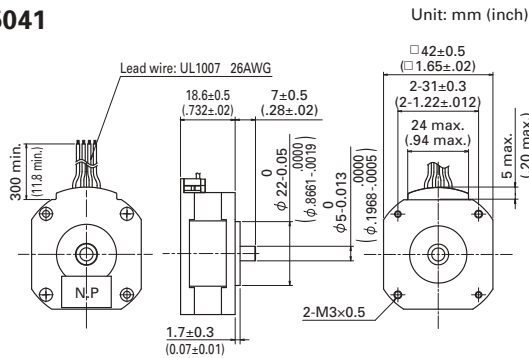


Dimension

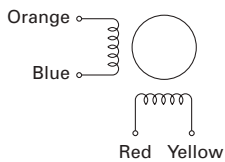
SS2421-5041



SS2422-5041



Internal Wiring



Direction of motor rotation

When excited by a direct current in the order shown below, the direction of rotation is clockwise as viewed from the output shaft side.

Lead wire color	RED	BLU	YEL	ORG
Excitation sequence	1	-	-	+
	2	+	-	+
	3	+	+	-
	4	-	+	+

2-PHASE STEPPING SYSTEMS

MOTOR FLANGE SIZE

42 mm (NEMA 17)

MOTOR LENGTH

33 mm (1.25 inch)

Specification

Bipolar winding, 1.8°/step

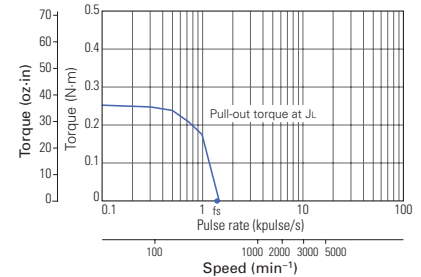
RoHS

Model	Single Shaft	103H5205-5140
Holding Torque	N·m	0.25
	oz·in	35.4
Rated Current	A/phase	0.5
Wiring Resistance	Ω/phase	13.4
Winding Inductance	mH/phase	23.4
Rotor Inertia	$\times 10^{-4}$ kg·m ²	0.036
	oz·in ²	0.20
Motor Weight	kg	0.23
	lb	0.51
Operating Temperature	-10 to 50°C (14 to 122°F)	
Humidity	20 to 90% RH, no condensation	

Torque Curve

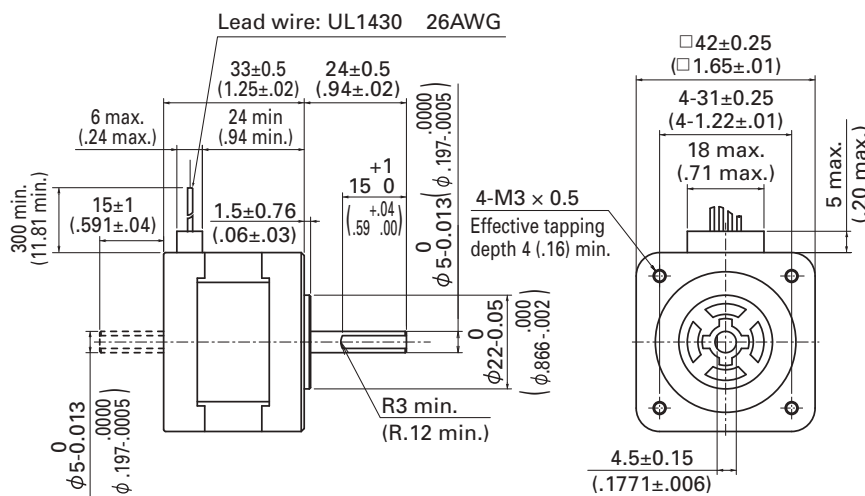
Constant current circuit, Source voltage: 24 VDC | Operating current: Rated Current, 2-phase energization (full-step) | $JL=[0.94 \times 10^{-4} \text{kg}\cdot\text{m}^2$ (5.14 oz·in²) pulley balancer method] | f_s : Maximum self-start frequency when not loaded

103H5205-51

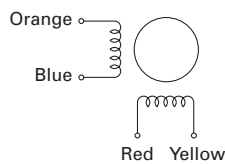


Dimension

Unit: mm (inch)



Internal Wiring



Direction of motor rotation

When excited by a direct current in the order shown below, the direction of rotation is clockwise as viewed from the output shaft side.

Lead wire color	RED	BLU	YEL	ORG	
Excitation sequence	1	-	-	+	+
	2	+	-	-	+
	3	+	+	-	-
	4	-	+	+	-

MOTOR FLANGE SIZE

42 mm (NEMA 17)

MOTOR LENGTH

33 mm (1.30 inch)

Specification

Bipolar winding, 1.8°/step

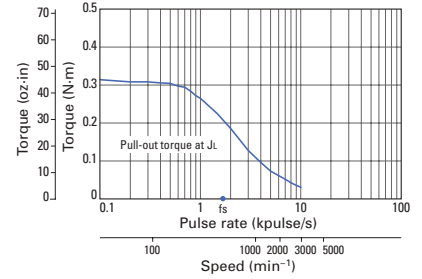
RoHS

Model	Single Shaft	SF2421-10B41
	Double Shaft	SF2421-10B11
Holding Torque	N·m	0.29
	oz·in	41.07
Rated Current	A/phase	1
Wiring Resistance	Ω/phase	3.6
Winding Inductance	mH/phase	7
Rotor Inertia	$\times 10^{-4}$ kg·m ²	0.031
	oz·in ²	0.169
Motor Weight	kg	0.23
	lb	0.51
Operating Temperature	-10 to 50°C (14 to 122 °F)	
Humidity	20 to 90% RH, no condensation	

Torque Curve

Constant current circuit, Source voltage: 24 VDC | Operating current: Rated Current, 2-phase energization (full-step) | $JL=[0.94 \times 10^{-4} \text{kg}\cdot\text{m}^2 (5.14 \text{oz}\cdot\text{in}^2)$ pulley balancer method | f_s : Maximum self-start frequency when not loaded

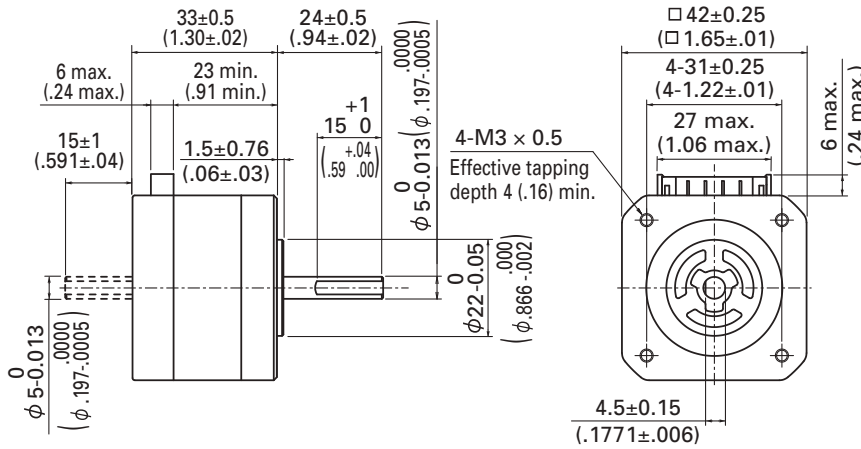
SF2421-10B



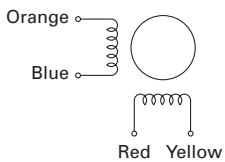
Dimension

Motor Cable Model Number: 4835775-1

Unit: mm (inch)



Internal Wiring



Direction of motor rotation

When excited by a direct current in the order shown below, the direction of rotation is clockwise as viewed from the output shaft side.

Connector pin number	3	7	5	9	
Excitation sequence	1	-	-	+	+
	2	+	-	-	+
	3	+	+	-	-
	4	-	+	+	-

2-PHASE STEPPING SYSTEMS

MOTOR FLANGE SIZE

42 mm (NEMA 17)

MOTOR LENGTH

39 mm (1.54 inch)

Specification

Bipolar winding, 1.8°/step

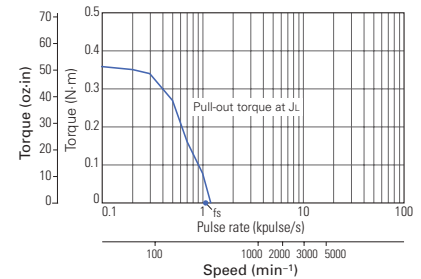
RoHS

Model	Single Shaft	103H5208-5140
Holding Torque	N·m	0.38
	oz·in	53.81
Rated Current	A/phase	0.5
Wiring Resistance	Ω/phase	16.5
Winding Inductance	mH/phase	34
Rotor Inertia	$\times 10^{-4}$ kg·m ²	0.056
	oz·in ²	0.31
Motor Weight	kg	0.29
	lb	0.64
Operating Temperature	-10 to 50°C (14 to 122°F)	
Humidity	20 to 90% RH, no condensation	

Torque Curve

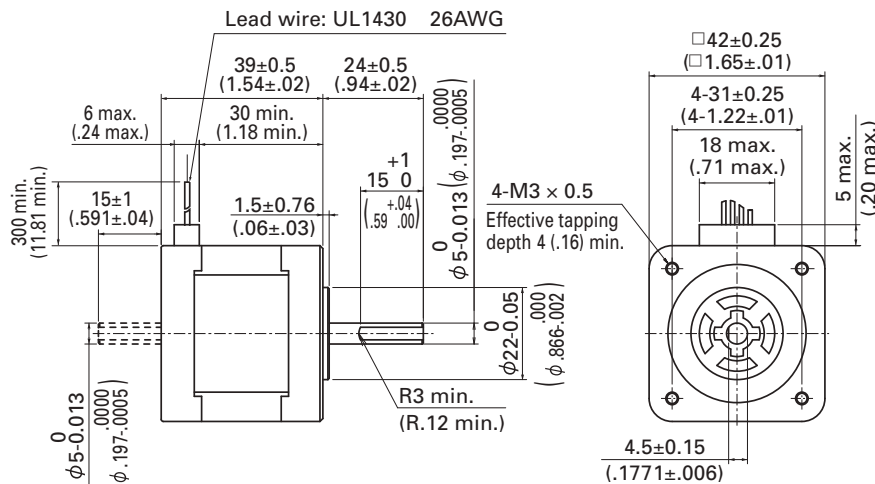
Constant current circuit, Source voltage: 24 VDC | Operating current: Rated Current, 2-phase energization (full-step) | $JL=0.94 \times 10^{-4}$ kg·m² (5.14 oz·in²) pulley balancer method | fs: Maximum self-start frequency when not loaded

103H5208-51

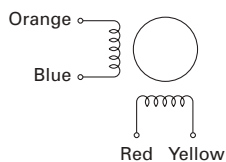


Dimension

Unit: mm (inch)



Internal Wiring



Direction of motor rotation

When excited by a direct current in the order shown below, the direction of rotation is clockwise as viewed from the output shaft side.

Lead wire color	RED	BLU	YEL	ORG
Excitation sequence 1	-	-	+	+
Excitation sequence 2	+	-	-	+
Excitation sequence 3	+	+	-	-
Excitation sequence 4	-	+	+	-

MOTOR FLANGE SIZE

42 mm (NEMA 17)

MOTOR LENGTH

39 mm (1.54 inch)

■ Specification

Bipolar winding, 1.8°/step

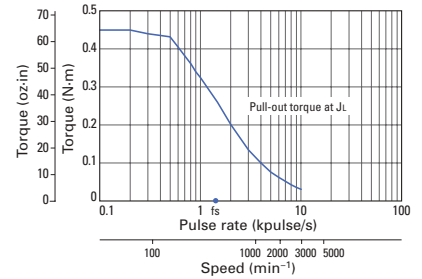
RoHS

Model	Single Shaft	SF2422-10B41
	Double Shaft	SF2422-10B11
Holding Torque	N·m	0.43
	oz·in	60.89
Rated Current	A/phase	1
Wiring Resistance	Ω/phase	4.4
Winding Inductance	mH/phase	9.6
Rotor Inertia	$\times 10^{-4}$ kg·m ²	0.046
	oz·in ²	0.252
Motor Weight	kg	0.3
	lb	0.66
Operating Temperature	-10 to 50°C (14 to 122 °F)	
Humidity	20 to 90% RH, no condensation	

■ Torque Curve

Constant current circuit, Source voltage: 24 VDC | Operating current: Rated Current, 2-phase energization (full-step) | $JL=[0.94 \times 10^{-4} \text{kg}\cdot\text{m}^2$ (5.14 oz·in²) pulley balancer method | fs: Maximum self-start frequency when not loaded

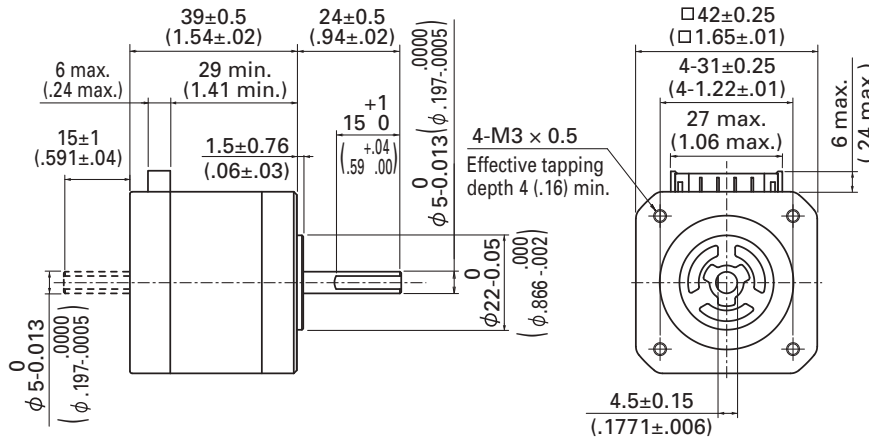
● SF2422-10B



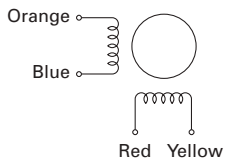
■ Dimension

Motor Cable Model Number: 4835775-1

Unit: mm (inch)



■ Internal Wiring



● Direction of motor rotation

When excited by a direct current in the order shown below, the direction of rotation is clockwise as viewed from the output shaft side.

Connector pin number	3	7	5	9
Excitation sequence	1	-	-	+
	2	+	-	-
	3	+	+	-
	4	-	+	+

2-PHASE STEPPING SYSTEMS

MOTOR FLANGE SIZE

42 mm (NEMA 17)

MOTOR LENGTH

48 mm (1.89 inch)

Specification

Bipolar winding, 1.8°/step

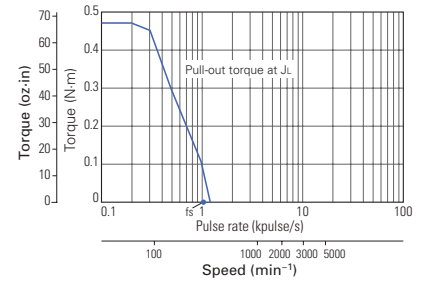
RoHS

Model	Single Shaft	103H5210-5140
Holding Torque	N·m	0.49
	oz·in	69.39
Rated Current	A/phase	0.5
Wiring Resistance	Ω/phase	20
Winding Inductance	mH/phase	35
Rotor Inertia	$\times 10^{-4}$ kg·m ²	0.074
	oz·in ²	0.40
Motor Weight	kg	0.37
	lb	0.82
Operating Temperature	-10 to 50°C (14 to 122°F)	
Humidity	20 to 90% RH, no condensation	

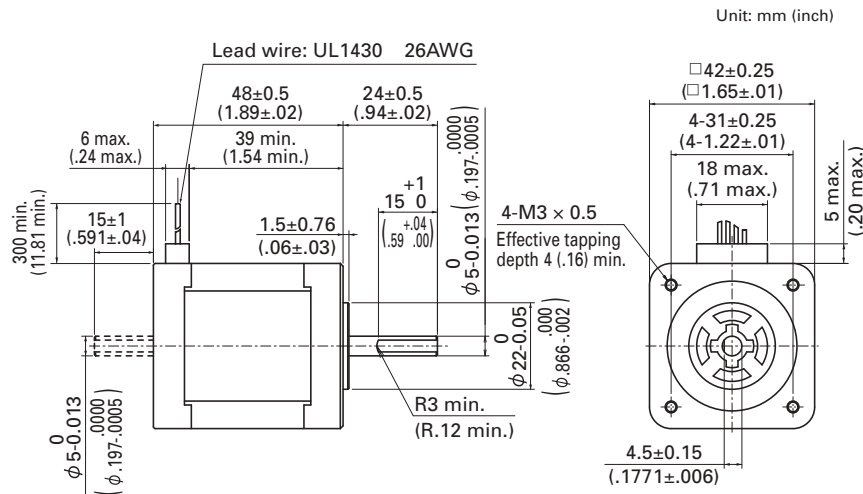
Torque Curve

Constant current circuit, Source voltage: 24 VDC | Operating current: Rated Current, 2-phase energization (full-step) | $JL=[0.94 \times 10^{-4} \text{kg}\cdot\text{m}^2$ (5.14 oz·in²) pulley balancer method | fs: Maximum self-start frequency when not loaded

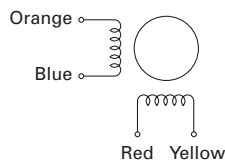
103H5210-51



Dimension



Internal Wiring



Direction of motor rotation

When excited by a direct current in the order shown below, the direction of rotation is clockwise as viewed from the output shaft side.

Lead wire color	RED	BLU	YEL	ORG
Excitation sequence	1	-	-	+
	2	+	-	+
	3	+	+	-
	4	-	+	-

MOTOR FLANGE SIZE

42 mm (NEMA 17)

MOTOR LENGTH

48/81.6 mm (1.89/3.21 inch)

Specification

Bipolar winding, 1.8°/step

RoHS

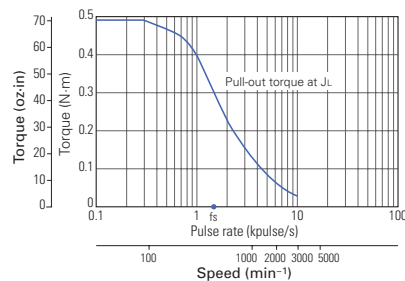
Model	Double Shaft	103H5210-5214
	w/ Brake	103H5210-52XB12
Holding Torque	N·m	0.51
	oz·in	72.2
Rated Current	A/phase	1
Wiring Resistance	Ω/phase	4.8
Winding Inductance	mH/phase	9.5
Rotor Inertia	$\times 10^{-4}$ kg·m ²	0.074 (0.089*)
	oz·in ²	0.405 (0.487*)
Motor Weight	kg	0.37 (0.51*)
	lb	0.82 (1.12*)
Operating Temperature		-10 to 50°C (14 to 122°F)
Humidity		20 to 90% RH, no condensation
Brake	Power Source	VDC / W
	Static Friction Torque	N·m
		oz·in
		24 VDC / 2.4 W
		0.3 Min.
		42.5 Min.

* Specifications for brake motor

Torque Curve

Constant current circuit, Source voltage: 24 VDC | Operating current: Rated Current, 2-phase energization (full-step) | $JL=0.94 \times 10^{-4}$ kg·m² (5.14 oz·in²) pulley balancer method | fs: Maximum self-start frequency when not loaded

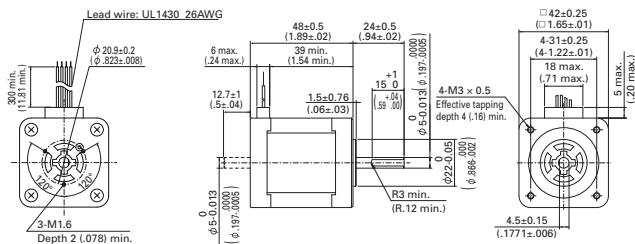
103H5210-52



Dimension

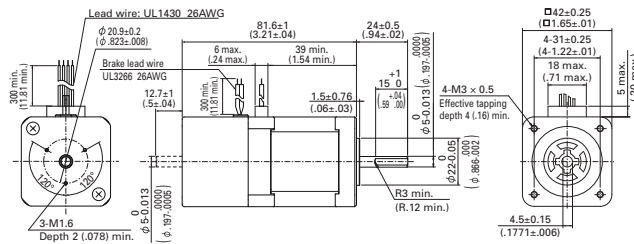
103H5210-5214

Unit: mm (inch)

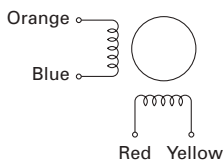


103H5210-52XB12

Unit: mm (inch)



Internal Wiring

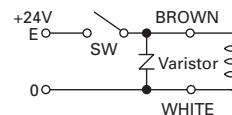


Direction of motor rotation

When excited by a direct current in the order shown below, the direction of rotation is clockwise as viewed from the output shaft side.

Lead wire color	RED	BLU	YEL	ORG
Excitation	-	-	+	+
sequence	1	+	-	-
	2	+	+	-
	3	-	+	+
	4	-	-	-

Brake Connection



2-PHASE STEPPING SYSTEMS

MOTOR FLANGE SIZE

42 mm (NEMA 17)

MOTOR LENGTH

48 mm (1.89 inch)

■ Specification

Bipolar winding, 1.8°/step

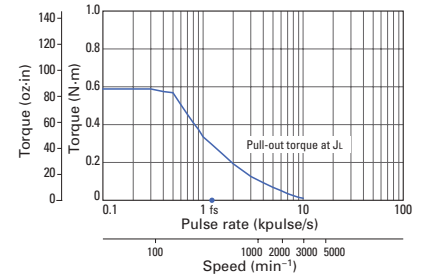
RoHS

Model	Single Shaft	SF2423-10B41
	Double Shaft	SF2423-10B11
Holding Torque	N·m	0.56
	oz·in	79.30
Rated Current	A/phase	1
Wiring Resistance	Ω/phase	5.2
Winding Inductance	mH/phase	12.5
Rotor Inertia	$\times 10^{-4}$ kg·m ²	0.063
	oz·in ²	0.344
Motor Weight	kg	0.38
	lb	0.84
Operating Temperature	-10 to 50°C (14 to 122 °F)	
Humidity	20 to 90% RH, no condensation	

■ Torque Curve

Constant current circuit, Source voltage: 24 VDC | Operating current: Rated Current, 2-phase energization (full-step) | $JL=[0.94 \times 10^{-4} \text{kg}\cdot\text{m}^2$ (5.14 oz·in²) pulley balancer method] | fs: Maximum self-start frequency when not loaded

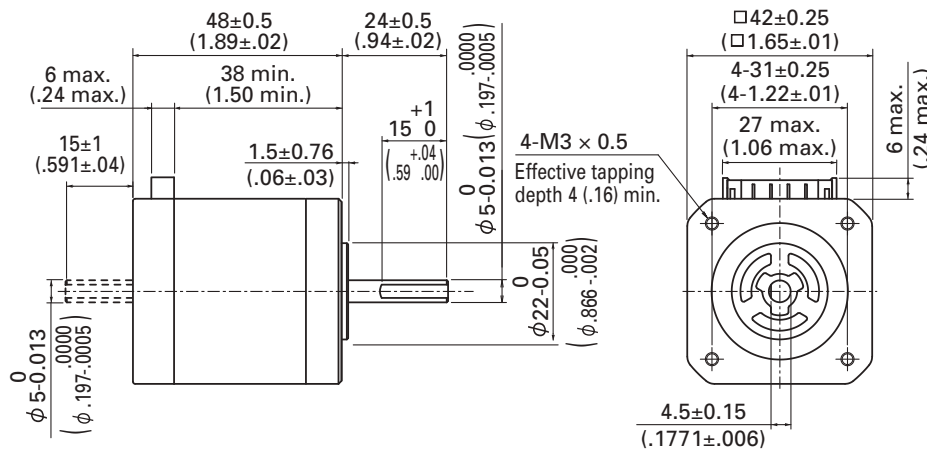
● SF2423-10B



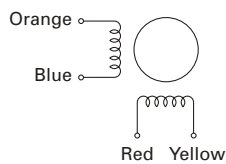
■ Dimension

Motor Cable Model Number: 4835775-1

Unit: mm (inch)



■ Internal Wiring



● Direction of motor rotation

When excited by a direct current in the order shown below, the direction of rotation is clockwise as viewed from the output shaft side.

Connector pin number	3	7	5	9
Excitation sequence 1	-	-	+	+
Excitation sequence 2	+	-	-	+
Excitation sequence 3	+	+	-	-
Excitation sequence 4	-	+	+	-

MOTOR FLANGE SIZE

42 mm (NEMA 17)

MOTOR LENGTH

59.5 mm (2.34 inch)

■ Specification

Bipolar winding, 1.8°/step

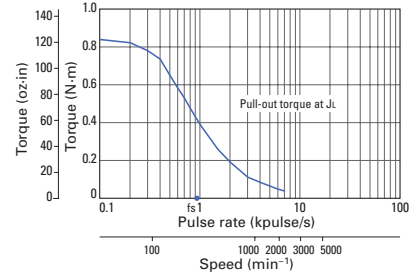
RoHS

Model	Single Shaft	SF2424-10B41
	Double Shaft	SF2424-10B11
Holding Torque	N·m	0.8
	oz·in	113.3
Rated Current	A/phase	1
Wiring Resistance	Ω/phase	6.5
Winding Inductance	mH/phase	16
Rotor Inertia	$\times 10^{-4}$ kg·m ²	0.094
	oz·in ²	0.514
Motor Weight	kg	0.51
	lb	1.12
Operating Temperature	-10 to 50°C (14 to 122 °F)	
Humidity	20 to 90% RH, no condensation	

■ Torque Curve

Constant current circuit, Source voltage: 24 VDC | Operating current: Rated Current, 2-phase energization (full-step) | $JL=[2.6 \times 10^{-4} \text{kg}\cdot\text{m}^2$ (14.2 oz·in²) pulley balancer method] | fs: Maximum self-start frequency when not loaded

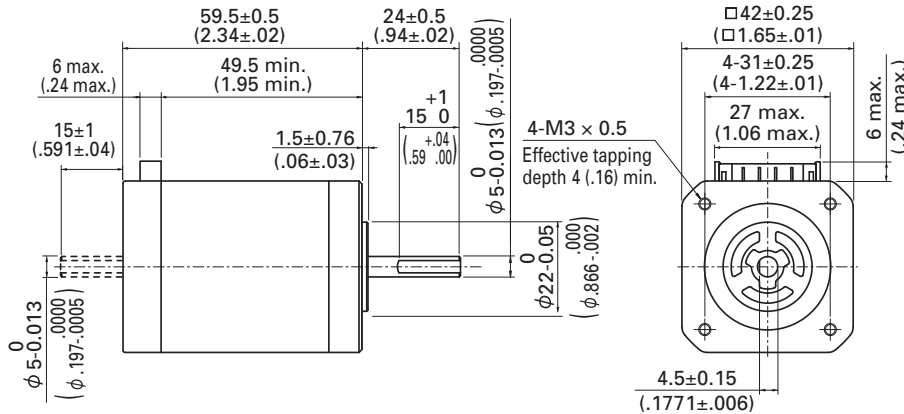
● SF2424-10B



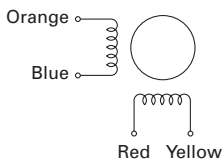
■ Dimension

Motor Cable Model Number: 4835775-1

Unit: mm (inch)



■ Internal Wiring



● Direction of motor rotation

When excited by a direct current in the order shown below, the direction of rotation is clockwise as viewed from the output shaft side.

Connector pin number	3	7	5	9	
Excitation sequence	1	-	-	+	+
	2	+	-	-	+
	3	+	+	-	-
	4	-	+	+	-

2-PHASE STEPPING SYSTEMS

MOTOR FLANGE SIZE

42 mm (NEMA 17)

MOTOR LENGTH

33 mm (1.25 inch)

Specification

Bipolar winding, 0.9 °/step

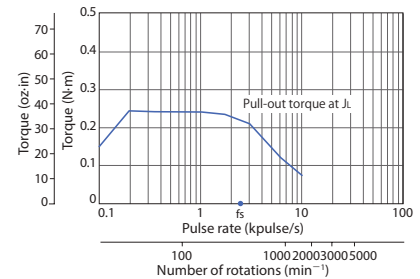
RoHS

Model	Single Shaft	SH1421-5241
Holding Torque	N·m	0.23
	oz·in	32.5
Rated Current	A/phase	2
Wiring Resistance	Ω/phase	0.85
Winding Inductance	mH/phase	2.1
Rotor Inertia	$\times 10^{-4}$ kg·m ²	0.044
	oz·in ²	0.24
Motor Weight	kg	0.24
	lb	0.53
Operating Temperature	-10 to 50°C (14 to 122 °F)	
Humidity	20 to 90% RH, no condensation	

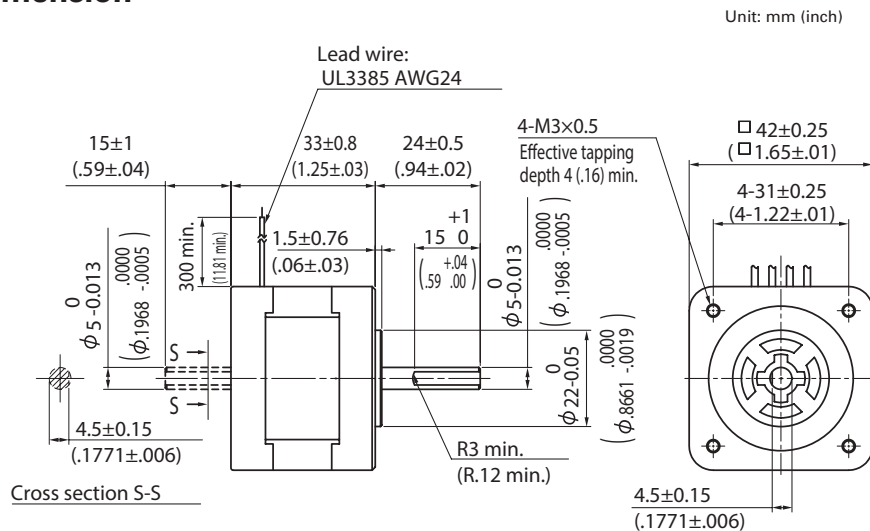
Torque Curve

Constant current circuit, Source voltage: 24 VDC | Operating current: Rated Current, 2-phase energization (full-step) | $JL = [0.94 \times 10^{-4} \text{kg}\cdot\text{m}^2$ (5.14 oz·in²) pulley balancer method] | f_s : Maximum self-start frequency when not loaded

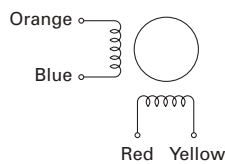
SH1421-52



Dimension



Internal Wiring



Direction of motor rotation

When excited by a direct current in the order shown below, the direction of rotation is clockwise as viewed from the output shaft side.

Lead wire color	RED	BLU	YEL	ORG
Excitation sequence	1	-	-	+
	2	+	-	+
	3	+	+	-
	4	-	+	-

MOTOR FLANGE SIZE

42 mm (NEMA 17)

MOTOR LENGTH

39 mm (1.54 inch)

■ Specification

Bipolar winding, 0.9 °/step

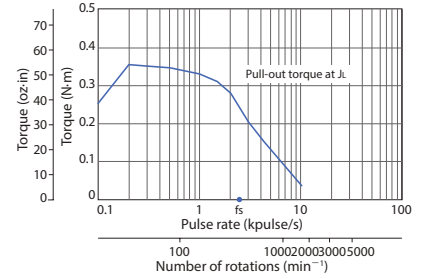
RoHS

Model	Single Shaft	SH1422-5241
Holding Torque	N·m	0.34
	oz·in	48.1
Rated Current	A/phase	2
Wiring Resistance	Ω/phase	1.05
Winding Inductance	mH/phase	3.6
Rotor Inertia	$\times 10^{-4}$ kg·m ²	0.66
	oz·in ²	0.36
Motor Weight	kg	0.29
	lb	0.64
Operating Temperature	-10 to 50°C (14 to 122 °F)	
Humidity	20 to 90% RH, no condensation	

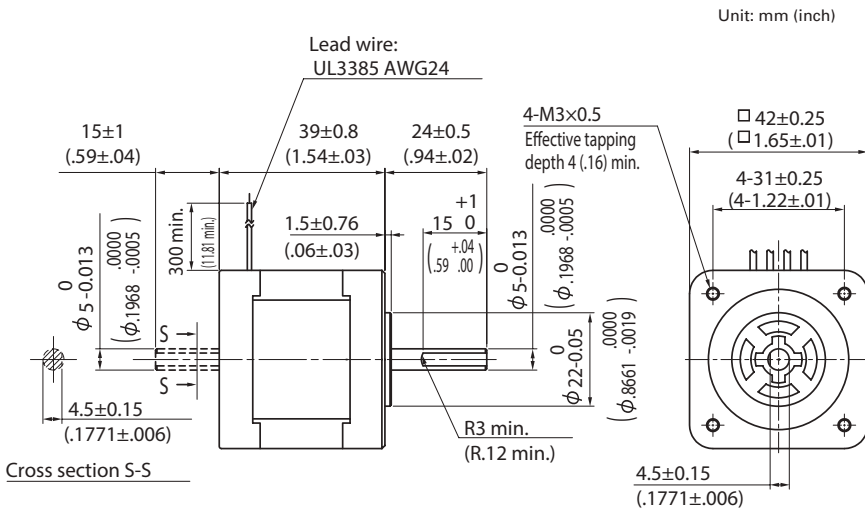
■ Torque Curve

Constant current circuit, Source voltage: 24 VDC | Operating current: Rated Current, 2-phase energization (full-step) | $J_L = [0.94 \times 10^{-4} \text{kg}\cdot\text{m}^2$ (5.14 oz·in²) pulley balancer method] | f_s : Maximum self-start frequency when not loaded

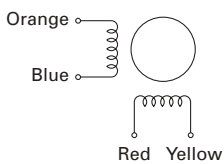
● SH1422-52



■ Dimension



■ Internal Wiring



● Direction of motor rotation

When excited by a direct current in the order shown below, the direction of rotation is clockwise as viewed from the output shaft side.

Lead wire color	RED	BLU	YEL	ORG	
Excitation sequence	1	-	-	+	+
	2	+	-	-	+
	3	+	+	-	-
	4	-	+	+	-

MOTOR FLANGE SIZE

50 mm (1.97 inch)

MOTOR LENGTH

11.4/16.4 mm (0.43/0.63 inch)

Specification

Bipolar winding, 1.8°/step

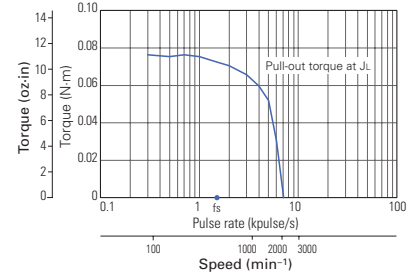
RoHS

Model	Single Shaft	SS2501-8040	SS2502-8040
Holding Torque	N·m	0.1	0.215
	oz·in	14.16	30.44
Rated Current	A/phase	1	1
Wiring Resistance	Ω/phase	4.5	5.9
Winding Inductance	mH/phase	2	3.2
Rotor Inertia	$\times 10^{-4}$ kg·m ²	0.026	0.049
	oz·in ²	0.142	0.268
Motor Weight	kg	0.09	0.15
	lb	0.2	0.33
Operating Temperature		-10 to 50°C (14 to 122°F)	
Humidity		20 to 90% RH, no condensation	

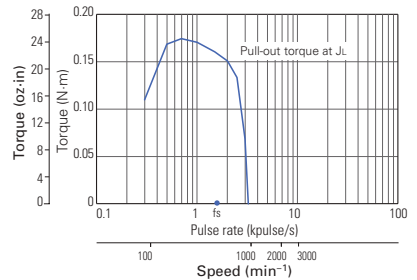
Torque Curve

Constant current circuit, Source voltage: 24 VDC | Operating current: Rated Current, 2-phase energization (full-step) | $JL=[0.01 \times 10^{-4} \text{kg}\cdot\text{m}^2 (1.80 \text{oz}\cdot\text{in}^2)$ pulley balancer method | f_s : Maximum self-start frequency when not loaded

SS2501-8040



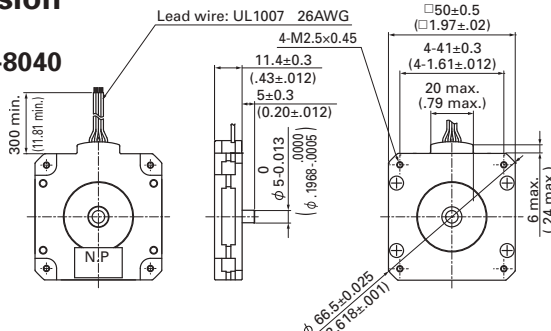
SS2502-8040



Dimension

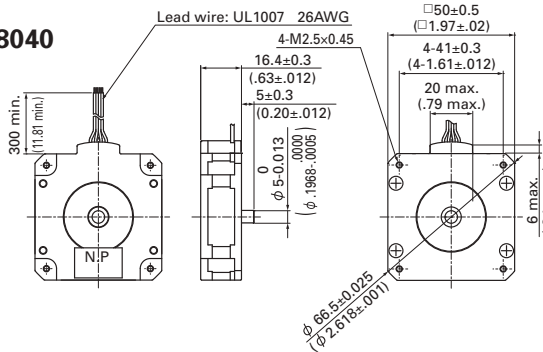
Unit: mm (inch)

SS2501-8040

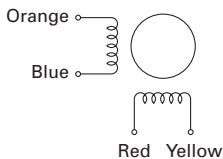


Unit: mm (inch)

SS2502-8040



Internal Wiring



Direction of motor rotation

When excited by a direct current in the order shown below, the direction of rotation is clockwise as viewed from the output shaft side.

Lead wire color	RED	BLU	YEL	ORG	
Excitation sequence	1	-	-	+	+
	2	+	-	-	+
	3	+	+	-	-
	4	-	+	+	-

MOTOR FLANGE SIZE

56 mm (NEMA 23)

MOTOR LENGTH

53.8 mm (2.12 inch)

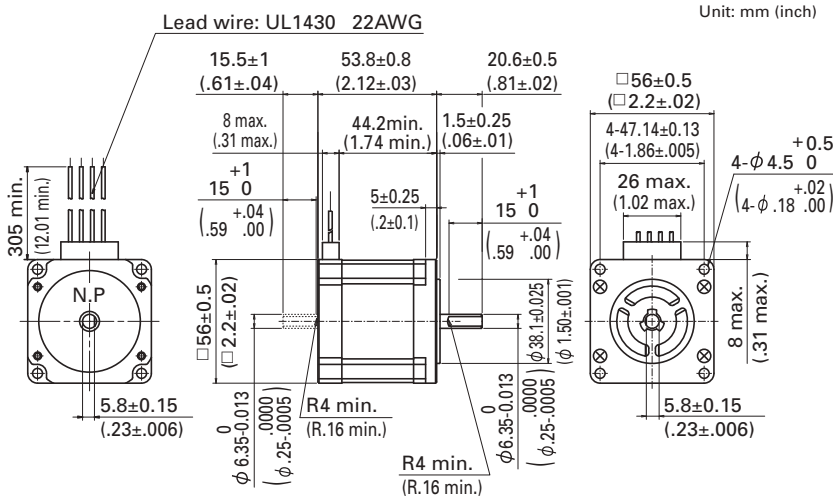
■ Specification

Bipolar winding, 1.8°/step

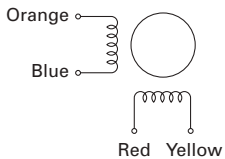
RoHS

Model	Single Shaft	103H7123-5740	103H7123-5840
	Double Shaft	103H7123-5710	
Holding Torque	N·m	1	1
	oz·in	141.6	141.6
Rated Current	A/phase	2	3
Wiring Resistance	Ω/phase	1.5	0.7
Winding Inductance	mH/phase	7.5	3.5
Rotor Inertia	$\times 10^{-4}$ kg·m ²	0.21	0.21
	oz·in ²	1.15	1.15
Motor Weight	kg	0.65	0.65
	lb	1.43	1.43
Operating Temperature		-10 to 50°C (14 to 122°F)	
Humidity		20 to 90% RH, no condensation	

■ Dimension



■ Internal Wiring



● Direction of motor rotation

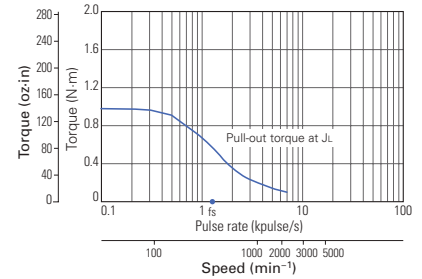
When excited by a direct current in the order shown below, the direction of rotation is clockwise as viewed from the output shaft side.

Lead wire color	RED	BLU	YEL	ORG
Excitation	1	-	-	+
sequence	2	+	-	+
	3	+	+	-
	4	-	+	-

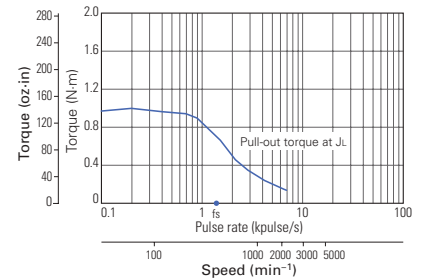
■ Torque Curve

Constant current circuit, Source voltage: 24 VDC | Operating current: Rated Current, 2-phase energization (full-step) | $JL=[2.6 \times 10^{-4} \text{kg}\cdot\text{m}^2$ (14.22 oz·in²) pulley balancer method] | fs: Maximum self-start frequency when not loaded

● 103H7123-57



● 103H7123-58



2-PHASE STEPPING SYSTEMS

MOTOR FLANGE SIZE

56 mm (NEMA 23)

MOTOR LENGTH

75.8 mm (2.98 inch)

Specification

Bipolar winding, 1.8°/step

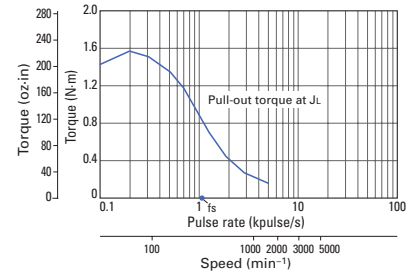
RoHS

Model	Single Shaft	103H7126-5740	103H7126-5840
	Double Shaft	103H7126-5710	
Holding Torque	N·m	1.6	1.6
	oz·in	226.6	226.6
Rated Current	A/phase	2	3
Wiring Resistance	Ω/phase	2	0.94
Winding Inductance	mH/phase	9.1	4
Rotor Inertia	$\times 10^{-4}$ kg·m ²	0.36	0.36
	oz·in ²	1.97	1.97
Motor Weight	kg	0.98	0.98
	lb	2.16	2.16
Operating Temperature	-10 to 50°C (14 to 122°F)		
Humidity	20 to 90% RH, no condensation		

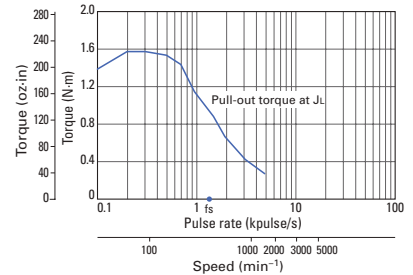
Torque Curve

Constant current circuit, Source voltage: 24 VDC | Operating current: Rated Current, 2-phase energization (full-step) | $J_L = 2.6 \times 10^{-4} \text{kg}\cdot\text{m}^2$ (14.22 oz·in²) pulley balancer method | fs: Maximum self-start frequency when not loaded

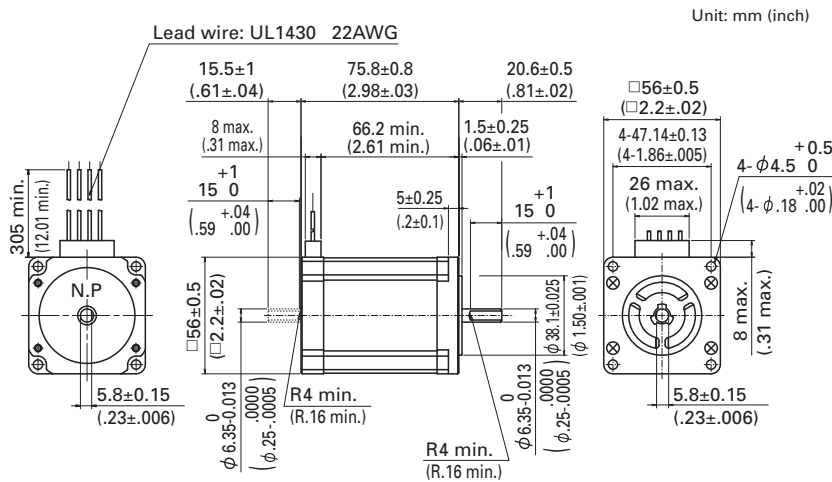
103H7126-57



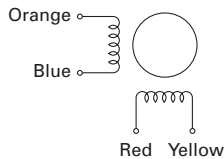
103H7126-58



Dimension



Internal Wiring



Direction of motor rotation

When excited by a direct current in the order shown below, the direction of rotation is clockwise as viewed from the output shaft side.

Lead wire color	RED	BLU	YEL	ORG
Excitation sequence	1	-	-	+
	2	+	-	+
	3	+	+	-
	4	-	+	+

MOTOR FLANGE SIZE

56 mm (NEMA 23)

MOTOR LENGTH

94.8 mm (3.73 inch)

Specification

Bipolar winding, 1.8°/step

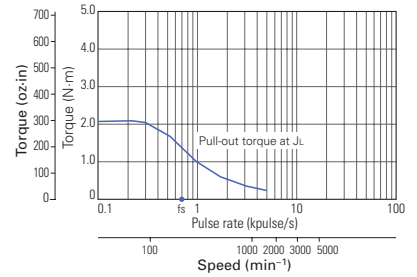
RoHS

Model	Single Shaft	103H7128-5740	103H7128-5840
	Double Shaft	103H7128-5710	
Holding Torque	N·m	2	2
	oz·in	283.2	283.2
Rated Current	A/phase	2	3
Wiring Resistance	Ω/phase	2.3	1.03
Winding Inductance	mH/phase	10.4	4.3
Rotor Inertia	$\times 10^{-4}$ kg·m ²	0.49	0.49
	oz·in ²	2.68	2.68
Motor Weight	kg	1.3	1.3
	lb	2.87	2.87
Operating Temperature		-10 to 50°C (14 to 122°F)	
Humidity		20 to 90% RH, no condensation	

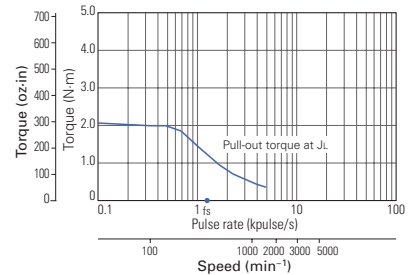
Torque Curve

Constant current circuit, Source voltage: 24 VDC | Operating current: Rated Current, 2-phase energization (full-step) | $JL = [7.4 \times 10^{-4} \text{kg}\cdot\text{m}^2 (40.46 \text{oz}\cdot\text{in}^2)]$ pulley balancer method | f_s : Maximum self-start frequency when not loaded

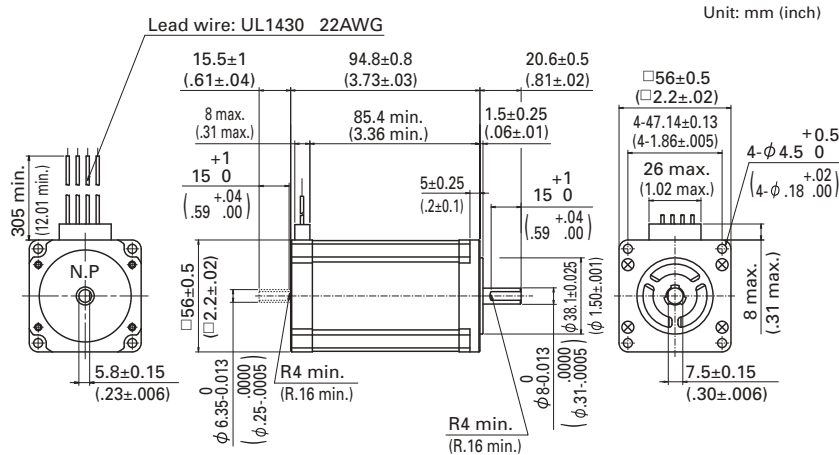
103H7128-57



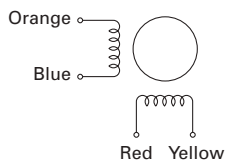
103H7128-58



Dimension



Internal Wiring



Direction of motor rotation

When excited by a direct current in the order shown below, the direction of rotation is clockwise as viewed from the output shaft side.

Lead wire color	RED	BLU	YEL	ORG
Excitation	1	-	-	+
sequence	2	+	-	-
	3	+	+	-
	4	-	+	+

2-PHASE STEPPING SYSTEMS

MOTOR FLANGE SIZE

56 mm (NEMA 23)

MOTOR LENGTH

80 mm (3.15 inch)

Specification

Bipolar winding, 1.8°/step

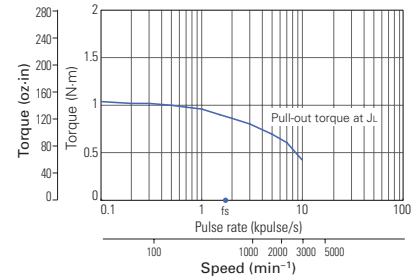


Model	Cable Type	SP2563-5260
	Connector Type	SP2563-5200
Holding Torque	N·m	1
	oz·in	141.6
Rated Current	A/phase	3
Wiring Resistance	Ω/phase	0.75
Winding Inductance	mH/phase	3.4
Rotor Inertia	$\times 10^{-4}$ kg·m ²	0.21
	oz·in ²	1.15
Motor Weight	kg	0.9
	lb	2
Operating Temperature	-10 to 40°C (14 to 104°F)	
Humidity	95% Max. at 40°C Max., no condensation	

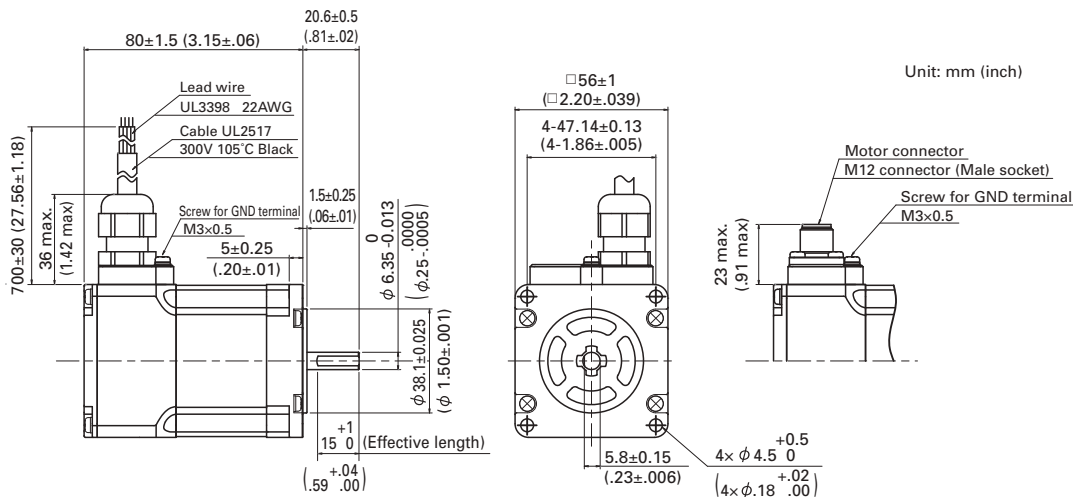
Torque Curve

Constant current circuit, Source voltage: 100 VAC | Operating current: Rated Current, 2-phase energization (full-step) | $JL=2.6 \times 10^{-4}$ kg·m² (14.22 oz·in²) pulley balancer method | fs: Maximum self-start frequency when not loaded

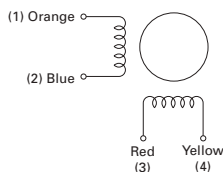
SP2563-52



Dimension



Internal Wiring



Direction of motor rotation

The output shaft rotates clockwise as seen from the shaft side, when excited by DC in the following order.

Lead wire color	RED	BLU	YEL	ORG
Connector pin number	(3)	(2)	(4)	(1)
Excitation sequence	1	-	-	+
	2	+	-	-
	3	+	+	-
	4	-	+	+

MOTOR FLANGE SIZE

56 mm (NEMA 23)

MOTOR LENGTH

102 mm (4.02 inch)

Specification

Bipolar winding, 1.8°/step

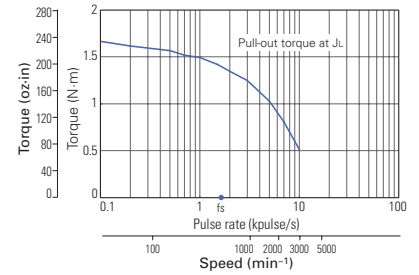


Model	Cable Type	SP2566-5260
	Connector Type	SP2566-5200
Holding Torque	N·m	1.7
	oz·in	240.7
Rated Current	A/phase	3
Wiring Resistance	Ω/phase	1
Winding Inductance	mH/phase	4.4
Rotor Inertia	$\times 10^{-4}$ kg·m ²	0.36
	oz·in ²	1.97
Motor Weight	kg	1.2
	lb	2.65
Operating Temperature		-10 to 40°C (14 to 104°F)
Humidity		95% Max. at 40°C Max., no condensation

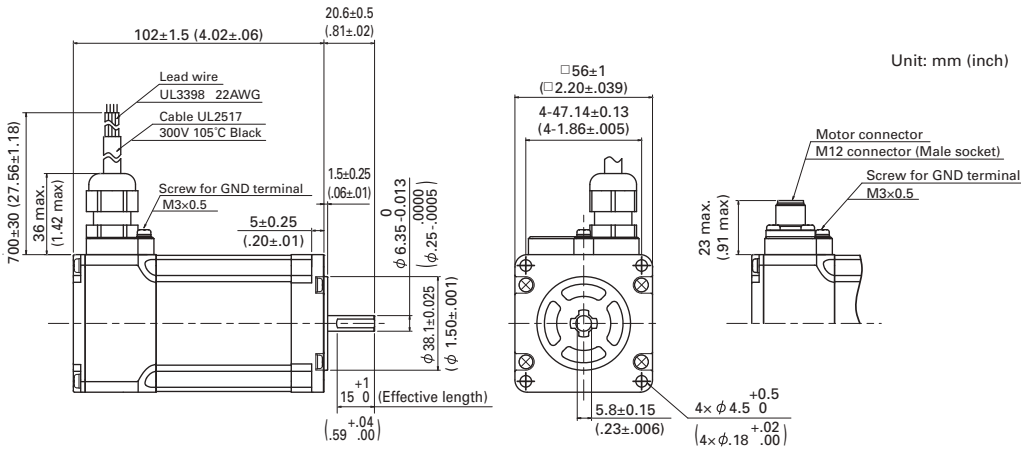
Torque Curve

Constant current circuit, Source voltage: 100 VAC | Operating current: Rated Current, 2-phase energization (full-step) | $JL = [7.4 \times 10^{-4} \text{kg}\cdot\text{m}^2 (40.46 \text{oz}\cdot\text{in}^2)]$ pulley balancer method | f_s : Maximum self-start frequency when not loaded

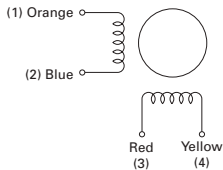
SP2566-52



Dimension



Internal Wiring



Direction of motor rotation

The output shaft rotates clockwise as seen from the shaft side, when excited by DC in the following order.

Lead wire color	RED	BLU	YEL	ORG
Connector pin number	(3)	(2)	(4)	(1)
Excitation sequence	1	-	-	+
	2	+	-	-
	3	+	+	-
	4	-	+	+

MOTOR FLANGE SIZE

60 mm (2.36 inch)

MOTOR LENGTH

52.5 mm (2.07 inch)

■ Specification

Bipolar winding, 1.8°/step

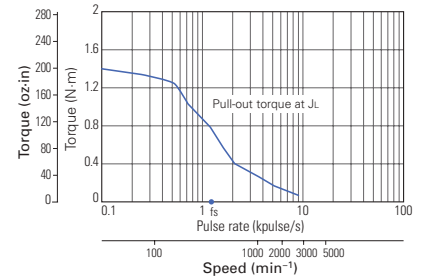
RoHS

Model	Single Shaft	103H7822-5760	103H7822-1760
	Double Shaft	103H7822-5730	103H7822-1730
Holding Torque	N·m	1.37	1.37
	oz·in	194	194
Rated Current	A/phase	2	4
Wiring Resistance	Ω/phase	1.55	0.43
Winding Inductance	mH/phase	5.5	1.38
Rotor Inertia	$\times 10^{-4}$ kg·m ²	0.4	0.4
	oz·in ²	2.19	2.19
Motor Weight	kg	0.77	0.77
	lb	1.7	1.7
Operating Temperature	-10 to 50°C (14 to 122°F)		
Humidity	20 to 90% RH, no condensation		

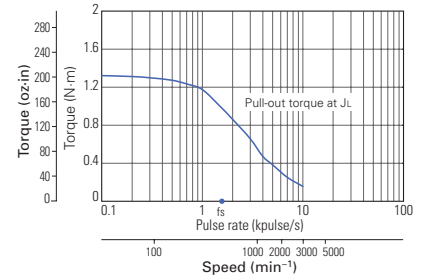
■ Torque Curve

Constant current circuit, Source voltage: 24 VDC | Operating current: Rated Current, 2-phase energization (full-step) | $JL=[2.6 \times 10^{-4} \text{kg}\cdot\text{m}^2$ (14.22 oz·in²) pulley balancer method] | fs: Maximum self-start frequency when not loaded

● 103H7822-57

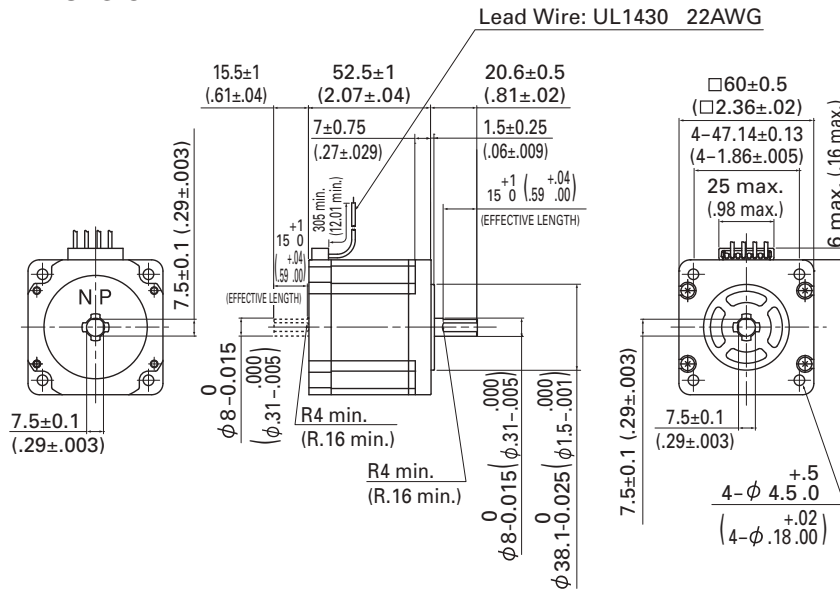


● 103H7822-17

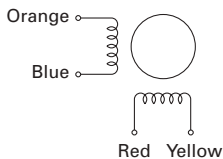


■ Dimension

Unit: mm (inch)



■ Internal Wiring



● Direction of motor rotation

When excited by a direct current in the order shown below, the direction of rotation is clockwise as viewed from the output shaft side.

Lead wire color	RED	BLU	YEL	ORG	
Excitation sequence	1	-	-	+	+
	2	+	-	-	+
	3	+	+	-	-
	4	-	+	+	-

2-PHASE STEPPING SYSTEMS

MOTOR FLANGE SIZE

60 mm (2.36 inch)

MOTOR LENGTH

52.5/94.2 mm (2.07/3.71 inch)

Specification

Unipolar winding, 1.8°/step

RoHS

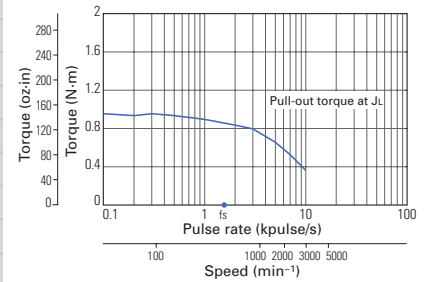
Model	Double Shaft	103H7822-2511
	w/ Brake	103H7822-25XB12
Holding Torque	N·m	1.1
	oz·in	155.8
Rated Current	A/phase	4.4
Wiring Resistance	Ω/phase	0.4
Winding Inductance	mH/phase	0.61
Rotor Inertia	$\times 10^{-4}$ kg·m ²	0.4 (0.56*)
	oz·in ²	2.19 (3.06*)
Motor Weight	kg	0.77 (1.2*)
	lb	1.7 (2.6*)
Operating Temperature		-10 to 50°C (14 to 122°F)
Humidity		20 to 90% RH, no condensation
Brake	Power Source	VDC / W
	Static Friction Torque	N·m
		oz·in
		24 VDC / 6 W
		0.8 Min.
		113.3 Min.

* Specifications for brake motor

Torque Curve

Constant current circuit, Source voltage: 24 VDC | Operating current: 6 A/Phase (RTA A-NDC06.V set value), half-step | $JL=[2.6 \times 10^{-4} \text{kg}\cdot\text{m}^2$ (14.22 oz·in²) pulley balancer method | f_s : Maximum self-start frequency when not loaded

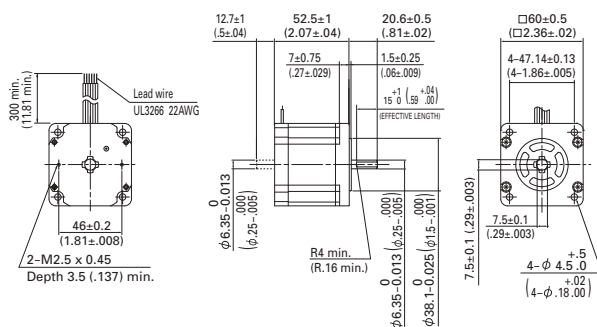
103H7822-25



Dimension

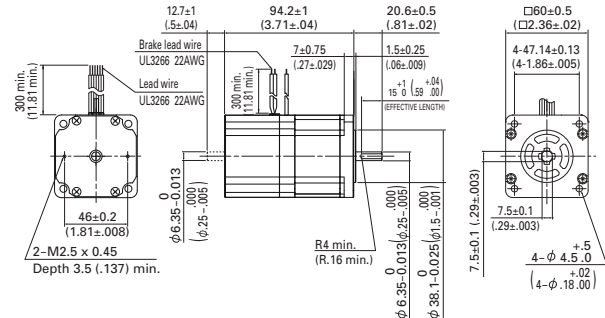
103H7822-2511

Unit: mm (inch)

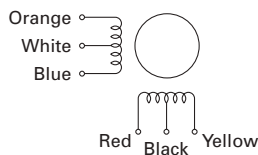


103H7822-25XB12

Unit: mm (inch)



Internal Wiring

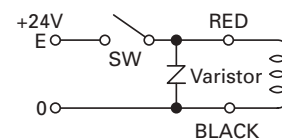


Direction of motor rotation

When excited by a direct current in the order shown below, the direction of rotation is clockwise as viewed from the output shaft side.

Lead wire color	WHT & BLK	RED	BLU	YEL	ORG
Excitation sequence	1	+	-	-	-
	2	+	-	-	-
	3	+	-	-	-
	4	+	-	-	-

Brake Connection



MOTOR FLANGE SIZE

60 mm (2.36 inch)

MOTOR LENGTH

84.5 mm (3.33 inch)

Specification

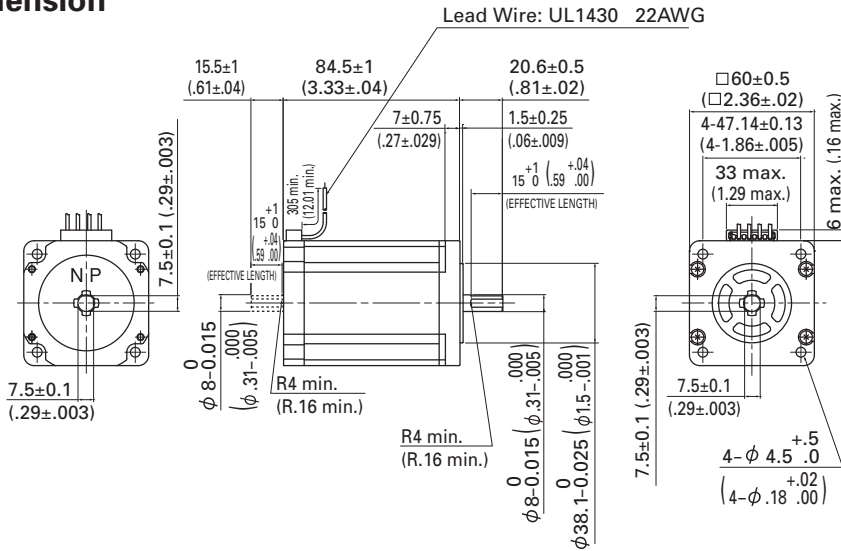
Bipolar winding, 1.8°/step

RoHS

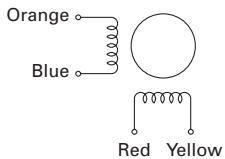
Model	Single Shaft	103H7823-5760	103H7823-1760
	Double Shaft	103H7823-5730	103H7823-1730
Holding Torque	N·m	2.7	2.7
	oz·in	382.3	382.3
Rated Current	A/phase	2	4
Wiring Resistance	Ω/phase	2.4	0.65
Winding Inductance	mH/phase	9.5	2.4
Rotor Inertia	$\times 10^{-4}$ kg·m ²	0.84	0.84
	oz·in ²	4.59	4.59
Motor Weight	kg	1.34	1.34
	lb	2.95	2.95
Operating Temperature	-10 to 50°C (14 to 122°F)		
Humidity	20 to 90% RH, no condensation		

Unit: mm (inch)

Dimension



Internal Wiring



Direction of motor rotation

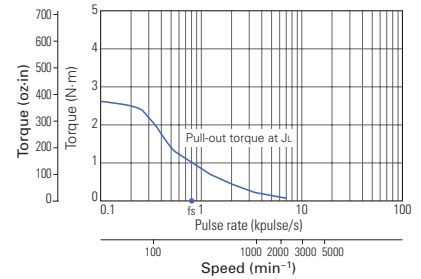
When excited by a direct current in the order shown below, the direction of rotation is clockwise as viewed from the output shaft side.

Lead wire color	RED	BLU	YEL	ORG
Excitation sequence	1	-	-	+
	2	+	-	-
	3	+	+	-
	4	-	+	+

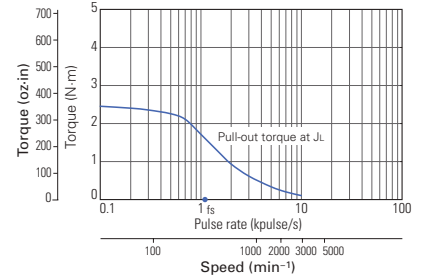
Torque Curve

Constant current circuit, Source voltage: 24 VDC | Operating current: Rated Current, 2-phase energization (full-step) | $JL = [7.4 \times 10^{-4} \text{kg}\cdot\text{m}^2 (40.46 \text{oz}\cdot\text{in}^2)]$ pulley balancer method | f_s : Maximum self-start frequency when not loaded

103H7823-57



103H7823-17



2-PHASE STEPPING SYSTEMS

MOTOR FLANGE SIZE

60 mm (2.36 inch)

MOTOR LENGTH

42 mm (1.65 inch)

Specification

Bipolar winding, 0.9 °/step

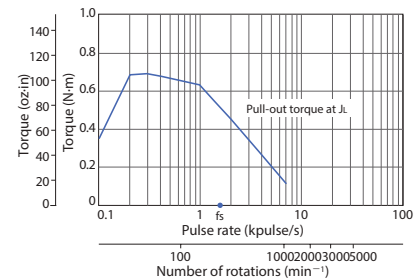
RoHS

Model	Single Shaft	SH1601-5240
Holding Torque	N·m	0.69
	oz·in	97.7
Rated Current	A/phase	2
Wiring Resistance	Ω/phase	1.2
Winding Inductance	mH/phase	3.5
Rotor Inertia	$\times 10^{-4}$ kg·m ²	0.24
	oz·in ²	1.31
Motor Weight	kg	0.55
	lb	1.21
Operating Temperature	-10 to 50°C (14 to 122 °F)	
Humidity	20 to 90% RH, no condensation	

Torque Curve

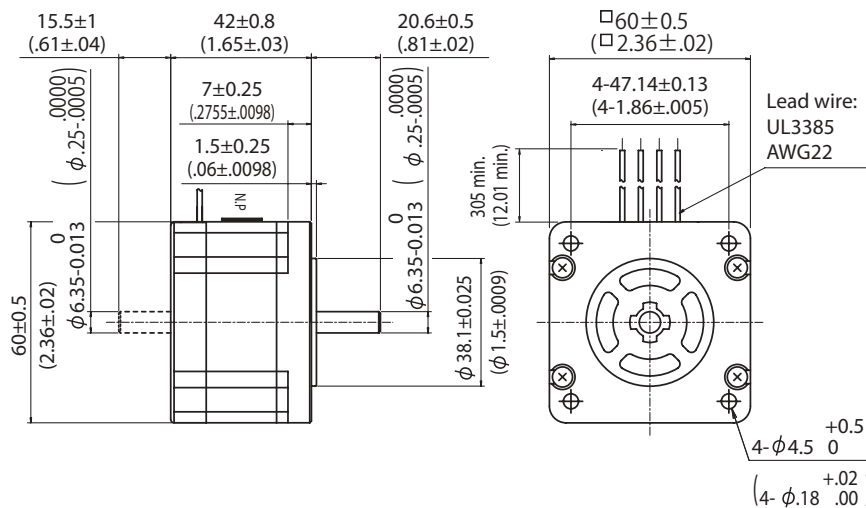
Constant current circuit, Source voltage: 24 VDC | Operating current: Rated Current, 2-phase energization (full-step) | $JL = [0.94 \times 10^{-4} \text{kg}\cdot\text{m}^2 (5.14 \text{oz}\cdot\text{in}^2)]$ pulley balancer method | f_s : Maximum self-start frequency when not loaded

SH1601-52

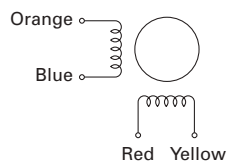


Dimension

Unit: mm (inch)



Internal Wiring



Direction of motor rotation

When excited by a direct current in the order shown below, the direction of rotation is clockwise as viewed from the output shaft side.

Lead wire color	RED	BLU	YEL	ORG	
Excitation sequence	1	-	-	+	+
	2	+	-	-	+
	3	+	+	-	-
	4	-	+	+	-

MOTOR FLANGE SIZE

60 mm (2.36 inch)

MOTOR LENGTH

54 mm (2.13 inch)

Specification

Bipolar winding, 0.9 °/step

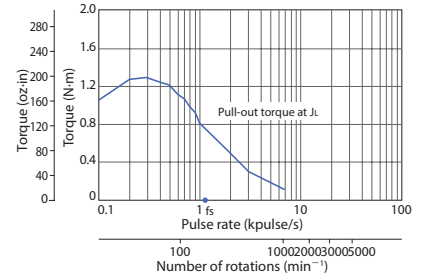
RoHS

Model	Single Shaft	SH1602-5240
Holding Torque	N·m	1.28
	oz·in	181.2
Rated Current	A/phase	2
Wiring Resistance	Ω/phase	1.65
Winding Inductance	mH/phase	6.1
Rotor Inertia	$\times 10^{-4}$ kg·m ²	0.4
	oz·in ²	2.19
Motor Weight	kg	0.8
	lb	1.76
Operating Temperature	-10 to 50°C (14 to 122 °F)	
Humidity	20 to 90% RH, no condensation	

Torque Curve

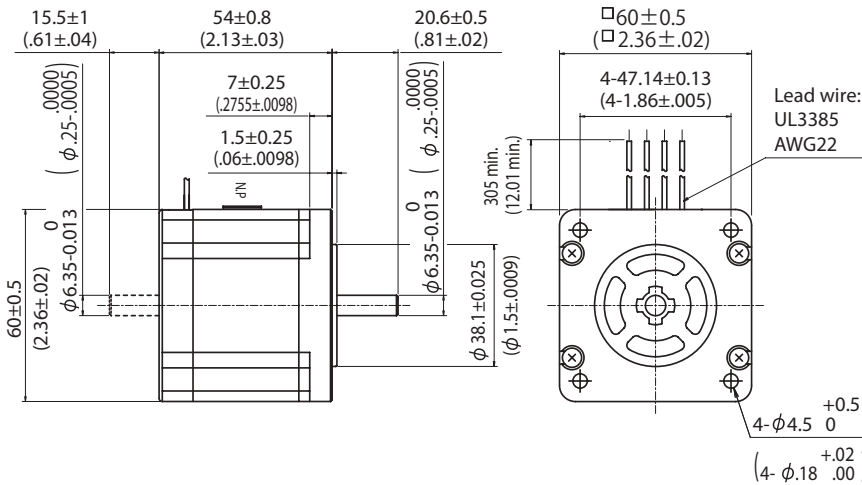
Constant current circuit, Source voltage: 24 VDC | Operating current: Rated Current, 2-phase energization (full-step) | $JL=[2.6 \times 10^{-4} \text{kg}\cdot\text{m}^2$ (14.22 oz·in²) pulley balancer method] | fs: Maximum self-start frequency when not loaded

SH1602-52

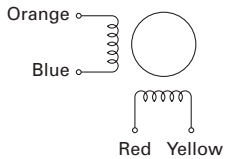


Dimension

Unit: mm (inch)



Internal Wiring



Direction of motor rotation

When excited by a direct current in the order shown below, the direction of rotation is clockwise as viewed from the output shaft side.

Lead wire color	RED	BLU	YEL	ORG	
Excitation sequence	1	-	-	+	+
	2	+	-	-	+
	3	+	+	-	-
	4	-	+	+	-

2-PHASE STEPPING SYSTEMS

MOTOR FLANGE SIZE

60 mm (2.36 inch)

MOTOR LENGTH

76 mm (2.99 inch)

Specification

Bipolar winding, 0.9 °/step

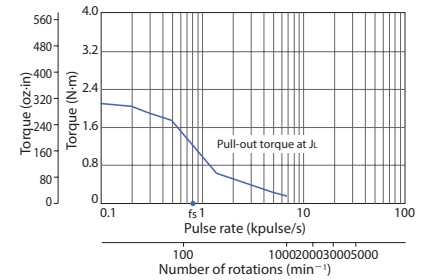
RoHS

Model	Single Shaft	SH1603-5240
Holding Torque	N·m	2.15
	oz·in	304.4
Rated Current	A/phase	2
Wiring Resistance	Ω/phase	2.3
Winding Inductance	mH/phase	8.8
Rotor Inertia	$\times 10^{-4}$ kg·m ²	0.75
	oz·in ²	4.10
Motor Weight	kg	1.2
	lb	2.65
Operating Temperature	-10 to 40°C (14 to 104 °F)	
Humidity	95% RH max.: under 40°C, no condensation	

Torque Curve

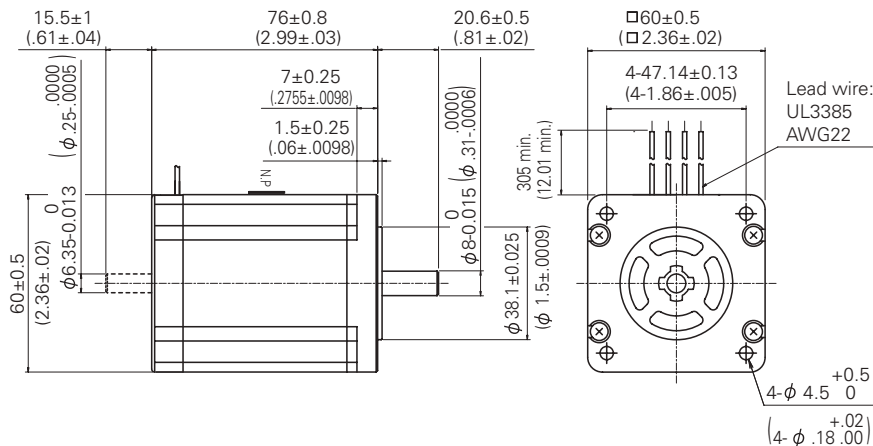
Constant current circuit, Source voltage: 24 VDC | Operating current: Rated Current, 2-phase energization (full-step) | $JL = [7.4 \times 10^{-4} \text{kg}\cdot\text{m}^2 (40.46 \text{oz}\cdot\text{in}^2)]$ pulley balancer method | fs: Maximum self-start frequency when not loaded

SH1603-52

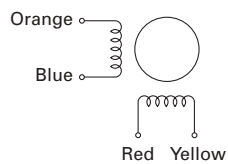


Dimension

Unit: mm (inch)



Internal Wiring



Direction of motor rotation

When excited by a direct current in the order shown below, the direction of rotation is clockwise as viewed from the output shaft side.

Lead wire color	RED	BLU	YEL	ORG	
Excitation sequence	1	-	-	+	+
	2	+	-	-	+
	3	+	+	-	-
	4	-	+	+	-

2-PHASE STEPPING SYSTEMS

MOTOR FLANGE SIZE

86 mm (NEMA 34)

MOTOR LENGTH

96.5 mm (3.8 inch)

Specification

Bipolar winding, 1.8°/step

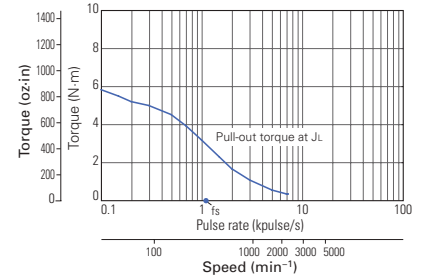


Model	Single Shaft	SM2862-5052	SM2862-5152	SM2862-5252
	Double Shaft	SM2862-5122		
Holding Torque	N·m	6.4	6.4	6.4
	oz·in	906.3	906.3	906.3
Rated Current	A/phase	2	4	6
Wiring Resistance	Ω/phase	3.2	0.83	0.36
Winding Inductance	mH/phase	25	6.4	2.8
Rotor Inertia	$\times 10^{-4}$ kg·m ²	3	3	3
	oz·in ²	16.4	16.4	16.4
Motor Weight	kg	2.9	2.9	2.9
	lb	6.5	6.5	6.5
Operating Temperature	-10 to 50°C (14 to 122°F)			
Humidity	20 to 90% RH, no condensation			

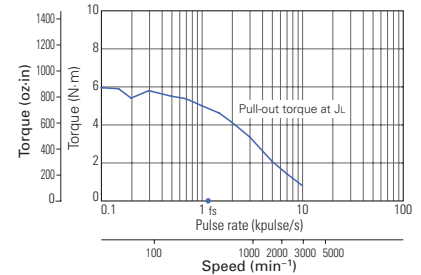
Torque Curve

Constant current circuit, Source voltage: 100 VAC | Operating current: Rated Current, 2-phase energization (full-step) | $JL = [15.3 \times 10^{-4} \text{ kg}\cdot\text{m}^2$ (83.65 oz·in²) pulley balancer method) | fs: Maximum self-start frequency when not loaded

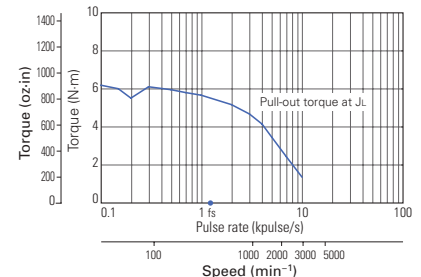
SM2862-50



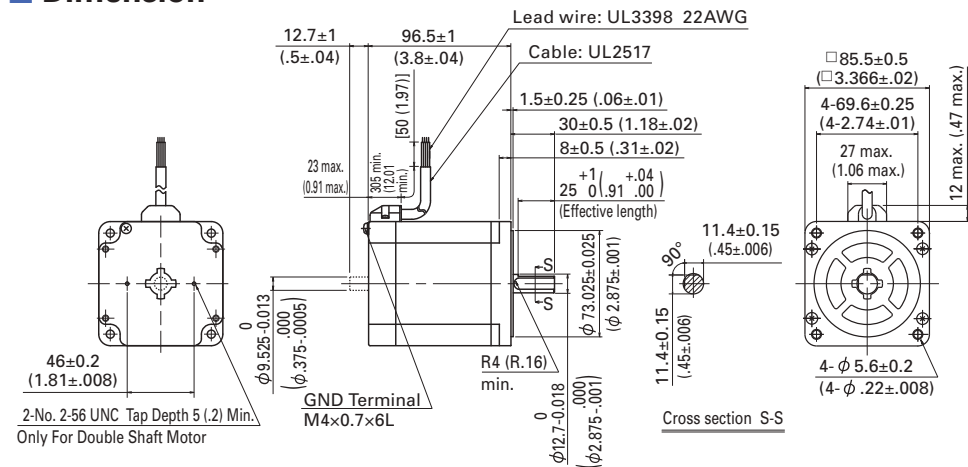
SM2862-51



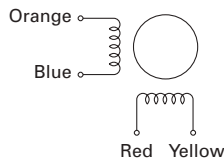
SM2862-52



Dimension



Internal Wiring



Direction of motor rotation

When excited by a direct current in the order shown below, the direction of rotation is clockwise as viewed from the output shaft side.

Lead wire color	RED	BLU	YEL	ORG
Excitation sequence 1	-	-	+	+
Excitation sequence 2	+	-	-	+
Excitation sequence 3	+	+	-	-
Excitation sequence 4	-	+	+	-

MOTOR FLANGE SIZE

86 mm (NEMA 34)

MOTOR LENGTH

150 mm (5.9 inch)

Specification

Bipolar winding, 1.8°/step

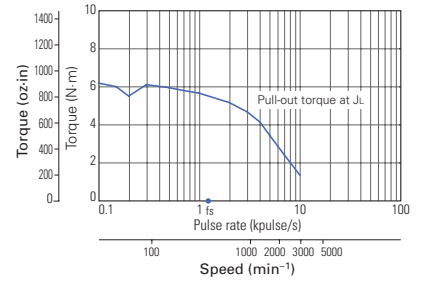
RoHS

Model	Double Shaft w/ Brake	SH2862-52XB12
Holding Torque	N·m	6.4
	oz·in	906.3
Rated Current	A/phase	6
Wiring Resistance	Ω/phase	0.36
Winding Inductance	mH/phase	2.8
Rotor Inertia	$\times 10^{-4}$ kg·m ²	3.8
	oz·in ²	20.8
Motor Weight	kg	3.7
	lb	8.15
Operating Temperature		-10 to 50°C (14 to 122°F)
Humidity		20 to 90% RH, no condensation
Brake	Power Source	VDC / W
	Static Friction Torque	N·m / oz·in
		24 VDC / 10 W
		5 Min.
		708 Min.

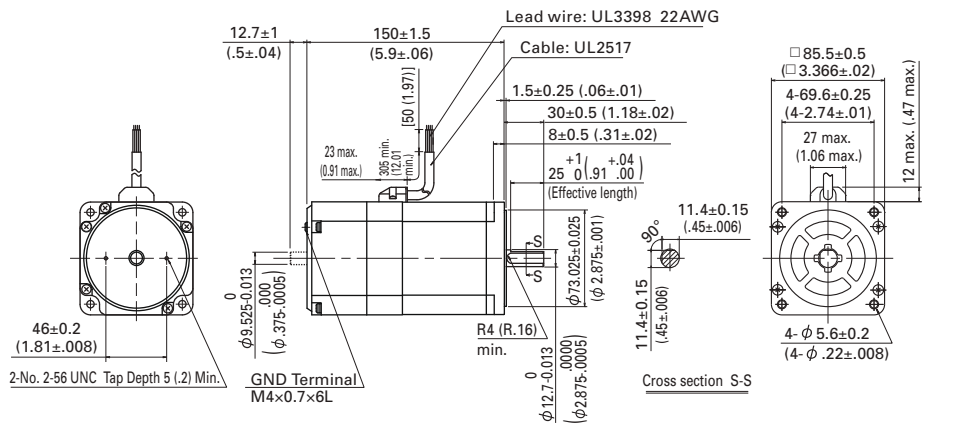
Torque Curve

Constant current circuit, Source voltage: 100 VAC | Operating current: Rated Current, 2-phase energization (full-step) | $JL=[15.3 \times 10^{-4} \text{kg}\cdot\text{m}^2$ (83.65 oz-in²) pulley balancer method] | f_s : Maximum self-start frequency when not loaded

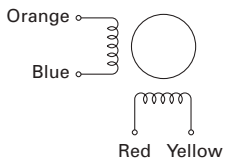
SH2862-52



Dimension



Internal Wiring

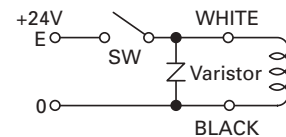


Direction of motor rotation

When excited by a direct current in the order shown below, the direction of rotation is clockwise as viewed from the output shaft side.

Lead wire color	RED	BLU	YEL	ORG
Excitation sequence 1	-	-	+	+
Excitation sequence 2	+	-	-	+
Excitation sequence 3	+	+	-	-
Excitation sequence 4	-	+	+	-

Brake Connection



2-PHASE STEPPING SYSTEMS

MOTOR FLANGE SIZE

86 mm (NEMA 34)

MOTOR LENGTH

127 mm (5 inch)

Specification

Bipolar winding, 1.8°/step

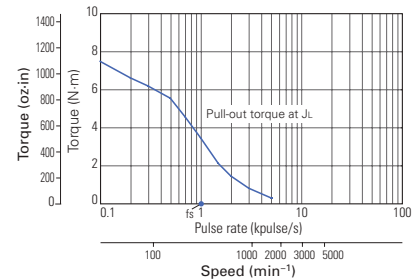


Model	Single Shaft	SM2863-5052	SM2863-5152	SM2863-5252
	Double Shaft	SM2863-5122		
Holding Torque	N·m	9	9	9
	oz·in	1274.5	1274.5	1274.5
Rated Current	A/phase	2	4	6
Wiring Resistance	Ω/phase	4	1	0.46
Winding Inductance	mH/phase	32	7.9	3.8
Rotor Inertia	$\times 10^{-4}$ kg·m ²	4.5	4.5	4.5
	oz·in ²	24.6	24.6	24.6
Motor Weight	kg	4	4	4
	lb	8.96	8.96	8.96
Operating Temperature	-10 to 50°C (14 to 122°F)			
Humidity	20 to 90% RH, no condensation			

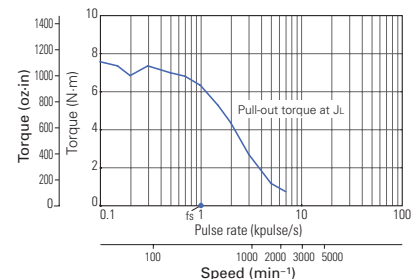
Torque Curve

Constant current circuit, Source voltage: 100 VAC | Operating current: Rated Current, 2-phase energization (full-step) | $JL = [44 \times 10^{-4} \text{kg}\cdot\text{m}^2 (240.56 \text{oz}\cdot\text{in}^2)]$ pulley balancer method | f_s : Maximum self-start frequency when not loaded

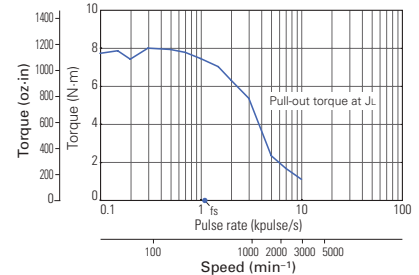
SM2863-50



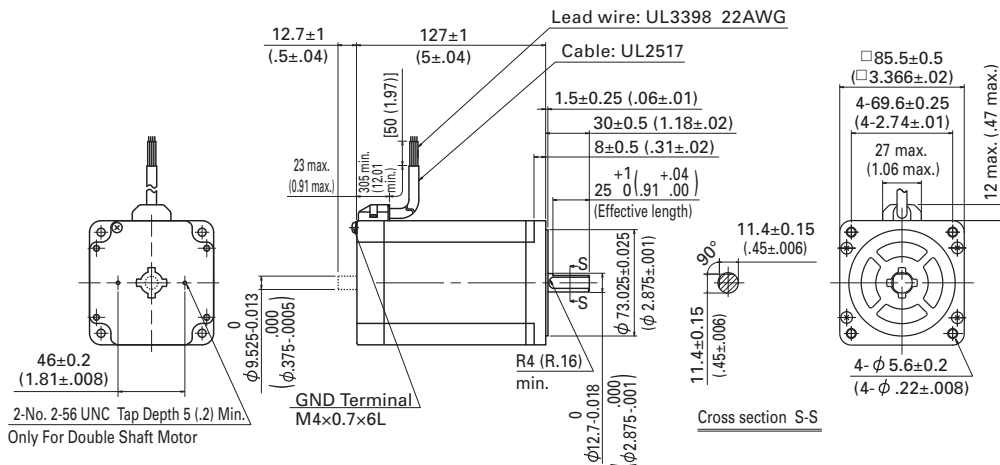
SM2863-51



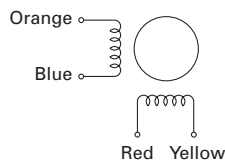
SM2863-52



Dimension



Internal Wiring



Direction of motor rotation

When excited by a direct current in the order shown below, the direction of rotation is clockwise as viewed from the output shaft side.

Lead wire color	RED	BLU	YEL	ORG
Excitation sequence 1	-	-	+	+
Excitation sequence 2	+	-	-	+
Excitation sequence 3	+	+	-	-
Excitation sequence 4	-	+	+	-

MOTOR FLANGE SIZE

86 mm (NEMA 34)

MOTOR LENGTH

120 mm (4.72 inch)

Specification

Bipolar winding, 1.8°/step

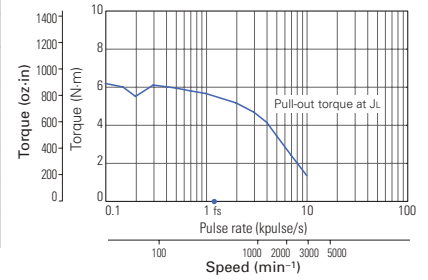


Model	Cable Type	SP2862-5260
Holding Torque	N·m	6.4
	oz·in	906.3
Rated Current	A/phase	6
Wiring Resistance	Ω/phase	0.41
Winding Inductance	mH/phase	2.8
Rotor Inertia	$\times 10^{-4}$ kg·m ²	3
	oz·in ²	16.4
Motor Weight	kg	3.1
	lb	6.8
Operating Temperature		-10 to 40°C (14 to 104°F)
Humidity		95% Max. at 40°C Max., no condensation

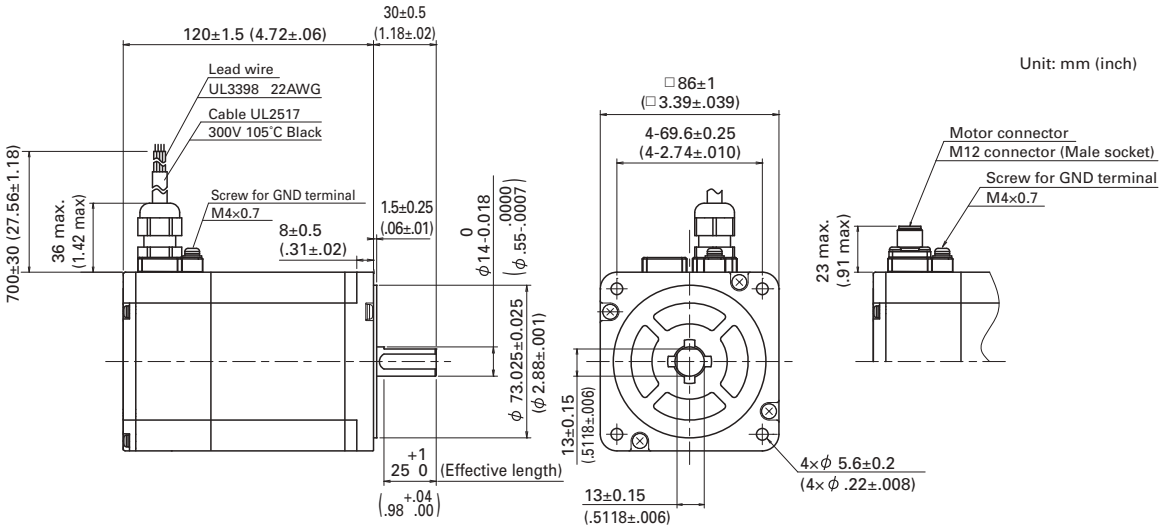
Torque Curve

Constant current circuit, Source voltage: 100 VAC | Operating current: Rated Current, 2-phase energization (full-step) | $JL = [15.3 \times 10^{-4} \text{kg}\cdot\text{m}^2$ (83.65 oz·in²) pulley balancer method] | fs: Maximum self-start frequency when not loaded

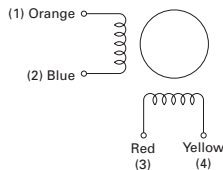
SP2862-52



Dimension



Internal Wiring



Direction of motor rotation

When excited by a direct current in the order shown below, the direction of rotation is clockwise as viewed from the output shaft side.

Lead wire color	RED	BLU	YEL	ORG
Connector pin number	(3)	(2)	(4)	(1)
Excitation sequence	1	-	-	+
	2	+	-	-
	3	+	+	-
	4	-	+	+

2-PHASE STEPPING SYSTEMS

MOTOR FLANGE SIZE

86 mm (NEMA 34)

MOTOR LENGTH

150 mm (5.91 inch)

Specification

Bipolar winding, 1.8°/step

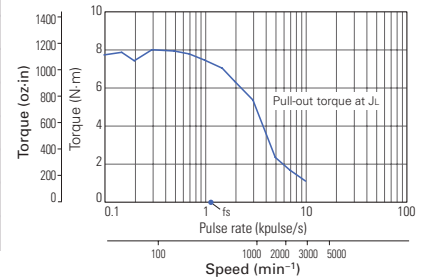


Model	Cable Type	SP2863-5260
Holding Torque	N·m	9
	oz·in	1274.5
Rated Current	A/phase	6
Wiring Resistance	Ω/phase	0.53
Winding Inductance	mH/phase	3.8
Rotor Inertia	$\times 10^{-4}$ kg·m ²	4.5
	oz·in ²	24.6
Motor Weight	kg	4.2
	lb	9.3
Operating Temperature		-10 to 40°C (14 to 104°F)
Humidity		95% Max. at 40°C Max., no condensation

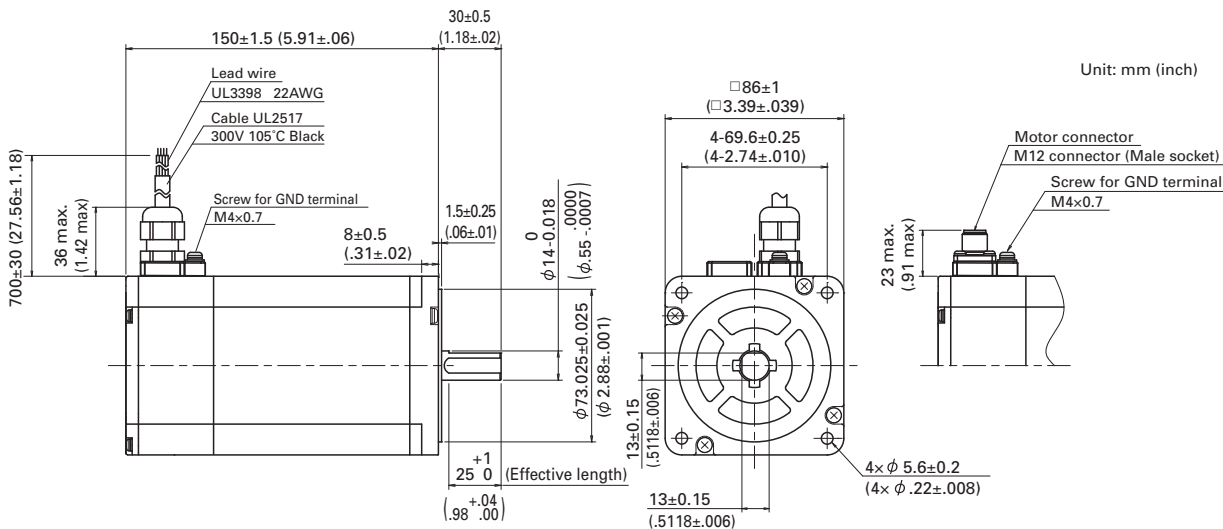
Torque Curve

Constant current circuit, Source voltage: 100 VAC | Operating current: Rated Current, 2-phase energization (full-step) | $JL=[44 \times 10^{-4} \text{kg}\cdot\text{m}^2$ (240.56 oz·in²) pulley balancer method] | fs: Maximum self-start frequency when not loaded

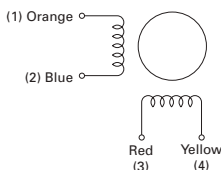
SP2863-52



Dimension



Internal Wiring



Direction of motor rotation

When excited by a direct current in the order shown below, the direction of rotation is clockwise as viewed from the output shaft side.

Lead wire color	RED	BLU	YEL	ORG
Connector pin number	(3)	(2)	(4)	(1)
Excitation sequence	1	-	-	+
	2	+	-	+
	3	+	+	-
	4	-	+	+

MOTOR FLANGE SIZE

106 mm (NEMA 42)

MOTOR LENGTH

163.3 mm (6.4 inch)

Specification

Bipolar winding, 1.8°/step

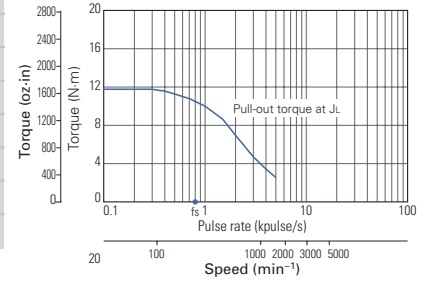
RoHS

Model	Single Type	103H89222-5241
Holding Torque	N·m	13.2
	oz·in	1869.2
Rated Current	A/phase	6
Wiring Resistance	Ω/phase	0.45
Winding Inductance	mH/phase	5.4
Rotor Inertia	$\times 10^{-4}$ kg·m ²	14.6
	oz·in ²	79.83
Motor Weight	kg	7.5
	lb	16.53
Operating Temperature	-10 to 50°C (14 to 122°F)	
Humidity	20 to 90% RH, no condensation	

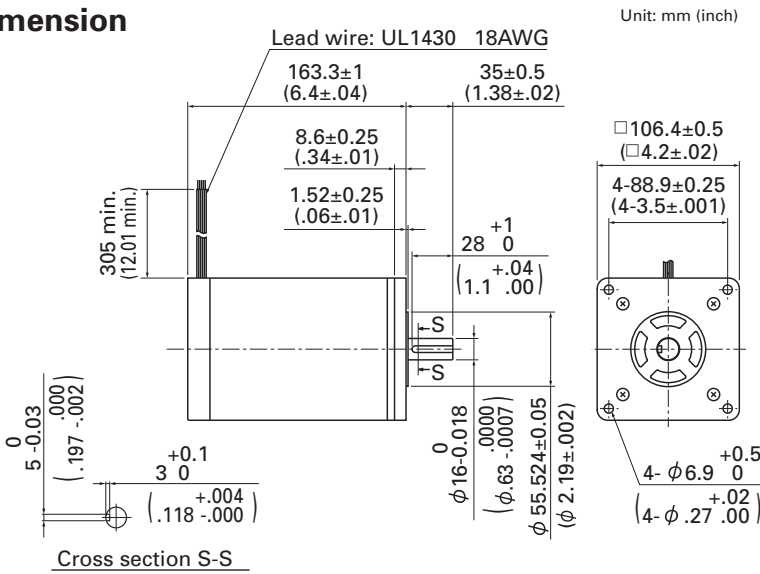
Torque Curve

Constant current circuit, Source voltage: 100 VAC | Operating current: Rated Current, 2-phase energization (full-step) | $JL=144 \times 10^{-4}$ kg·m² (240.56 oz·in²) pulley balancer method | f_s : Maximum self-start frequency when not loaded

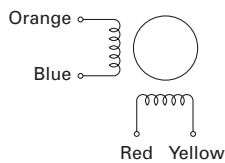
103H89222-52



Dimension



Internal Wiring



Direction of motor rotation

When excited by a direct current in the order shown below, the direction of rotation is clockwise as viewed from the output shaft side.

Lead wire color	RED	BLU	YEL	ORG
Excitation sequence	1	-	-	+
	2	+	-	-
	3	+	+	-
	4	-	+	+

2-PHASE STEPPING SYSTEMS

MOTOR FLANGE SIZE

106 mm (NEMA 42)

MOTOR LENGTH

221.3 mm (8.7 inch)

Specification

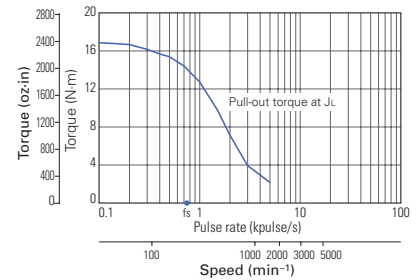
Bipolar winding, 1.8°/step

Model	Single Type	103H89223-5241
Holding Torque	N·m	19
	oz·in	2690.5
Rated Current	A/phase	6
Wiring Resistance	Ω/phase	0.63
Winding Inductance	mH/phase	8
Rotor Inertia	$\times 10^{-4}$ kg·m ²	22
	oz·in ²	120.28
Motor Weight	kg	10.5
	lb	23.15
Operating Temperature	-10 to 50°C (14 to 122°F)	
Humidity	20 to 90% RH, no condensation	

Torque Curve

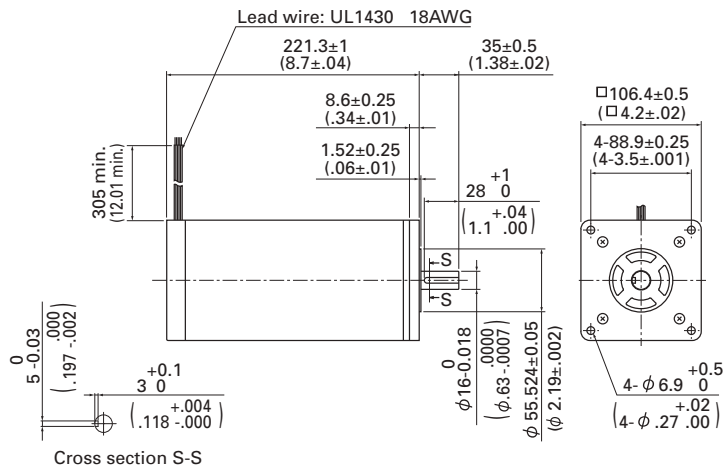
Constant current circuit, Source voltage: 100 VAC | Operating current: Rated Current, 2-phase energization (full-step) | $JL = [44 \times 10^{-4} \text{ kg}\cdot\text{m}^2$ (240.56 oz·in²) pulley balancer method | f_s : Maximum self-start frequency when not loaded

103H89223-52

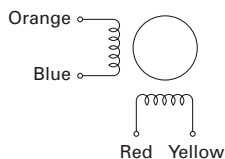


Dimension

Unit: mm (inch)



Internal Wiring



Direction of motor rotation

When excited by a direct current in the order shown below, the direction of rotation is clockwise as viewed from the output shaft side.

Lead wire color	RED	BLU	YEL	ORG
Excitation sequence	1	-	-	+
	2	+	-	+
	3	+	+	-
	4	-	+	+

MOTOR FLANGE SIZE

42 mm (NEMA 17)

MOTOR LENGTH

39 mm (1.54 inch)

Specification

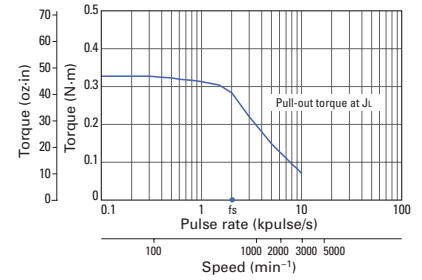
Bipolar winding, 1.8°/step

Model	Single Shaft	103H5208-49V40
Holding Torque	N·m	0.37
	oz·in	52.39
Rated Current	A/phase	2
Wiring Resistance	Ω/phase	1.27
Winding Inductance	mH/phase	2
Rotor Inertia	$\times 10^{-4}$ kg·m ²	0.056
	oz·in ²	0.306
Motor Weight	kg	0.34
	lb	0.75
Baking Temperature	Less than 200°C (392°F)	
Working Pressure Range	1×10^{-5} Pa or more	

Torque Curve

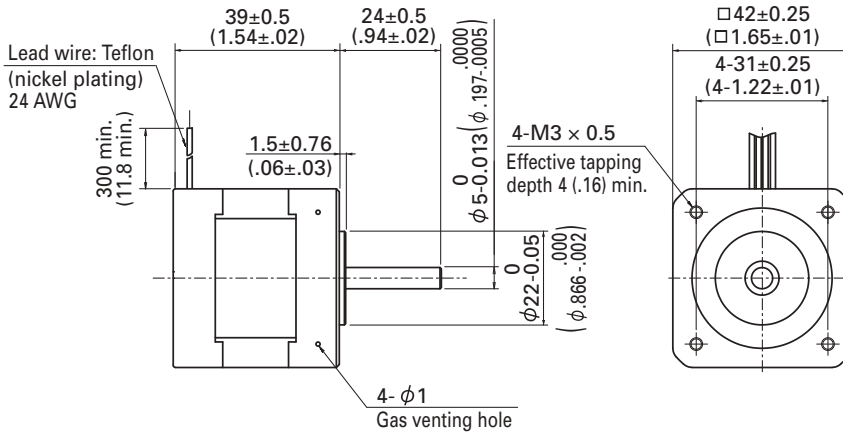
Constant current circuit, Source voltage: 24 VDC | Operating current: Rated Current, 2-phase energization (full-step) | $JL=0.94 \times 10^{-4}$ kg·m² (5.14 oz·in²) pulley balancer method | I_s : Maximum self-start frequency when not loaded

103H5208-49V40

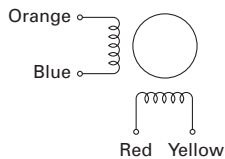


Dimension

Unit: mm (inch)



Internal Wiring



Direction of motor rotation

When excited by a direct current in the order shown below, the direction of rotation is clockwise as viewed from the output shaft side.

Lead wire color	RED	BLU	YEL	ORG	
Excitation sequence	1	-	-	+	+
	2	+	-	-	+
	3	+	+	-	-
	4	-	+	+	-

2-PHASE STEPPING SYSTEMS

MOTOR FLANGE SIZE

56 mm (NEMA 17)

MOTOR LENGTH

45.9 mm (1.81 inch)

Specification

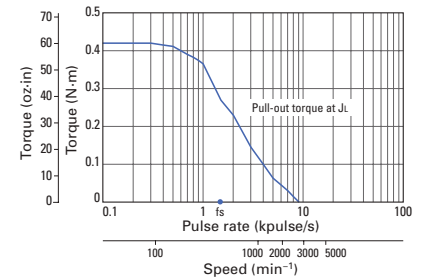
Bipolar winding, 1.8°/step

Model	Single Shaft	103H7121-47V40
Holding Torque	N·m	0.45
	oz·in	63.72
Rated Current	A/phase	2
Wiring Resistance	Ω/phase	0.94
Winding Inductance	mH/phase	3.4
Rotor Inertia	$\times 10^{-4}$ kg·m ²	0.1
	oz·in ²	0.547
Motor Weight	kg	0.67
	lb	1.48
Baking Temperature	Less than 200°C (392°F)	
Working Pressure Range	1×10^{-5} Pa or more	

Torque Curve

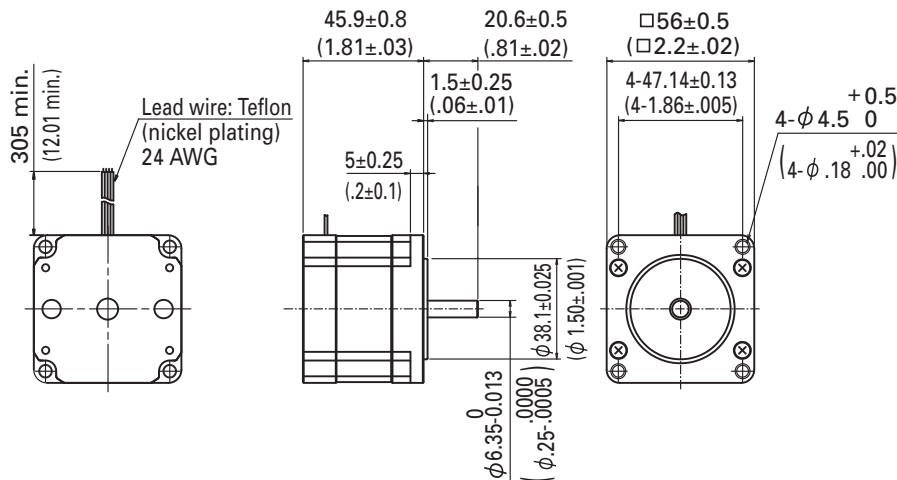
Constant current circuit, Source voltage: 24 VDC | Operating current: Rated Current, 2-phase energization (full-step) | $JL = [0.94 \times 10^{-4} \text{ kg}\cdot\text{m}^2$ (5.14 oz·in²) pulley balancer method] | fs: Maximum self-start frequency when not loaded

103H7121-47V40

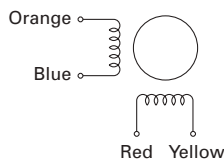


Dimension

Unit: mm (inch)



Internal Wiring



Direction of motor rotation

When excited by a direct current in the order shown below, the direction of rotation is clockwise as viewed from the output shaft side.

Lead wire color	RED	BLU	YEL	ORG
Excitation sequence 1	-	-	+	+
Excitation sequence 2	+	-	-	+
Excitation sequence 3	+	+	-	-
Excitation sequence 4	-	+	+	-

Motor General Specifications

Motor model number	SH2141	SH228□	SS242□	SH142□	103H52□□	SS250□
Type	-					
Operating ambient temperature	-10°C to +50°C					
Storage temperature	-20°C to +65°C					
Operating ambient humidity	20 to 90 RH (no condensation)					
Storage humidity	5 to 95 RH (no condensation)					
Operation altitude	1000 m (3281 feet) max. above sea level					
Vibration resistance	Vibration frequency 10 to 500 Hz, total amplitude 1.52 mm (10 to 70 Hz), vibration acceleration 150 m/s ² (70 to 500 Hz), sweep time 15 min/cycle, 12 sweeps in each X, Y and Z direction.					
Impact resistance	500 m/s ² of acceleration for 11 ms with half-sine wave applying three times for X, Y, and Z axes each, 18 times in total.					
Thermal class	Class B (+130°C)					
Withstandable voltage	At normal temperature and humidity, no failure with 500 VAC @50/60 Hz applied for one minute between motor winding and frame.					
Insulation resistance	At normal temperature and humidity, not less than 100 MΩ between winding and frame by 500 VDC megger.					
Protection grade	IP40					
Winding temperature rise	80 K max. (Based on Sanyo Denki standard)					
Static angle error	±0.09°			±0.054°	±0.09°	
Thrust play *1	0.075 mm (0.003 in) max. (load: 0.35 N (0.08 lbs))	0.075 mm (0.003 in) max. (load: 1.5 N (0.34 lbs))	0.075 mm (0.003 in) max. (load: 4 N (0.9 lbs))	0.075 mm (0.003 in) max. (load: 5 N (1.12 lbs))	0.075 mm (0.003 in) (load: 5 N (1.12 lbs))	0.075 mm (0.003 in) max. (load: 4 N (0.9 lbs))
Radial play *2	Vibration frequency 10 to 500 Hz, total amplitude 1.52 mm (10 to 70 Hz), vibration acceleration 150 m/s ² (70 to 500 Hz), sweep time 15 min/cycle, 12 sweeps in each X, Y and Z direction.					
Shaft runout	0.025 mm (0.001 in)					
Concentricity of mounting pilot relative to shaft	ø0.05 mm (ø0.002 in)	ø0.05 mm (ø0.002 in)	ø0.075 mm (ø0.003 in)	ø0.05 mm (ø0.002 in)	ø0.05 mm (ø0.002 in)	ø0.075 mm (ø0.003 in)
Squareness of mounting surface relative to shaft	0.1 mm (0.004 in)	0.1 mm (0.004 in)	0.1 mm (0.004 in)	0.1 mm (0.004 in)	0.1 mm (0.004 in)	0.1 mm (0.004 in)
Direction of motor mounting	Can be freely mounted vertically or horizontally					

Motor model number	103H712□	SH160□	103H78□□	103H8922□	SM286□
Type	-				S1 (continuous operation)
Operating ambient temperature	-10°C to +50°C				-10°C to +40°C
Storage temperature	-20°C to +65°C				-20°C to +60°C
Operating ambient humidity	20 to 90 RH (no condensation)				95% max.: 40°C max., 57% max.: 50°C max.,
Storage humidity	5 to 95% RH (no condensation)				35% max.: 60°C max. (no condensation)
Operation altitude	1000 m (3281 feet) max. above sea level				
Vibration resistance	Vibration frequency 10 to 500 Hz, total amplitude 1.52 mm (10 to 70 Hz), vibration acceleration 150 m/s ² (70 to 500 Hz), sweep time 15 min/cycle, 12 sweeps in each X, Y and Z direction.				
Impact resistance	500 m/s ² of acceleration for 11 ms with half-sine wave applying three times for X, Y, and Z axes each, 18 times in total.				
Thermal class	Class B (+130°C)				Class F (+155°C)
Withstandable voltage	At normal temperature and humidity, no failure with 1000 VAC @50/60 Hz applied for one minute between motor winding and frame.			At normal temperature and humidity, no failure with 1500 VAC @50/60 Hz applied for one minute between motor winding and frame.	
Insulation resistance	At normal temperature and humidity, not less than 100 MΩ between winding and frame by 500 VDC megger.				
Protection grade	IP40				IP43
Winding temperature rise	80 K max. (Based on Sanyo Denki standard)				
Static angle error	±0.054°	±0.054°	±0.09°		
Thrust play *1	0.075 mm (0.003 in) (load: 10 N (2.25 lbs))				
Radial play *2	0.025 mm (0.001 in) (load: 5 N (1.12 lbs))	0.025 mm (0.001 in) (load: 5 N (1.12 lbs))	0.025 mm (0.001 in) (load: 5 N (1.12 lbs))	0.025 mm (0.001 in) (load: 5 N (2.25 lbs))	0.025 mm (0.001 in) (load: 10 N (1.12 lbs))
Shaft runout	0.025 mm (0.001 in)				
Concentricity of mounting pilot relative to shaft	ø0.075 mm (ø0.003 in)				
Squareness of mounting surface relative to shaft	0.075 mm (0.003 in)	0.1 mm (0.004 in)	0.075 mm (0.003 in)	0.15 mm (0.006 in)	0.075 mm (0.003 in)
Direction of motor mounting	Can be freely mounted vertically or horizontally				

Regarding the SH2145, SF242□, 103H5208-49V40 and 103H7121-47V40, please ask us.

*1 Thrust play: Shaft displacement under axial load.

*2 Radial play: Shaft displacement under radial load applied 1/3rd of the length from the end of the shaft.

2-PHASE STEPPING SYSTEMS

2-Phase Bipolar DC Input Micro-step Driver

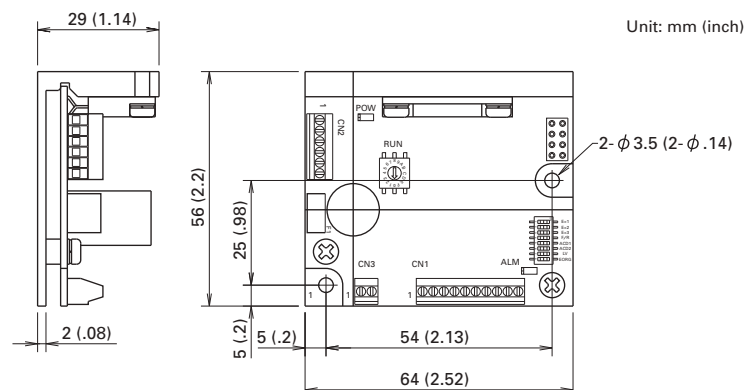
■ Specification

Driver model		BS1D200P10	
Basic specifications	Input source	Input source	24/36 VDC ± 10%
		Source current	3 A
	Environment	Protection class	Class III
		Operation environment	Installation category (over-voltage category) : I, pollution degree: 2
		Ambient operation temperature	0 to + 50°C
		Storage temperature	-20 to + 70°C
		Operating ambient humidity	35 to 85% RH (no condensation)
		Storage humidity	10 to 90% RH (no condensation)
		Operation altitude	1000 m (3281 feet) or less above sea level
		Vibration resistance	Tested under the following conditions: 5 m/s ² frequency range 10 to 55 Hz, direction along X, Y and Z axes, for 2 hours each
		Impact resistance	Not influenced at NDS-C-0110 standard section 3.2.2 division "C".
Withstandable voltage	Not influenced when 0.5 kVAC is applied between power input terminal and cabinet for one minute.		
Insulation resistance	10 MΩ min. when measured with 500 VDC megohmmeter between input terminal and cabinet.		
Mass (Weight)		0.09 kg (0.20 lbs)	
Functions	Selection functions		Step angle, pulse input mode, low vibration mode, step current, operating current, original excitation phase
	Protection functions		Open phase protection, Main circuit power source voltage decrease
	LED indication		Power monitor, alarm display
I/O signals	Command pulse input signal		Photocoupler input system, input resistance: 220 Ω input signal "H" level: 4.0 to 5.5 V, input signal "L" level: 0 to 0.5 V Maximum input frequency: 150 kpulse/s
	Power down input signal		Photocoupler input system, input resistance: 220 Ω input signal "H" level: 4.0 to 5.5 V, input signal "L" level: 0 to 0.5 V
	Phase origin monitor output signal		From the photocoupler by the open collector output Output specification: V _{ceo} = 40 V Max., I _c = 10 mA Max.
	Rotation monitor output signal		From the photocoupler by the open collector output Output specification: V _{ceo} = 40 V Max., I _c = 10 mA Max.

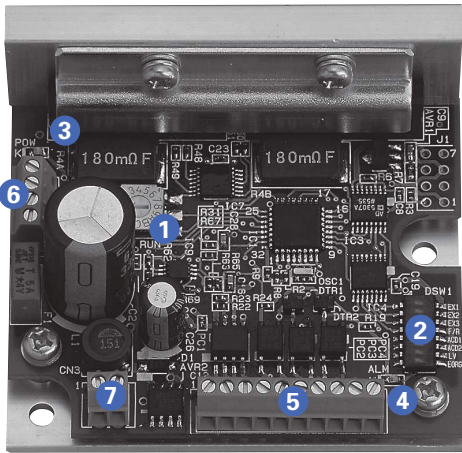
■ Safety Standards

	Directives	Category	Standard	Name
CE (TUV)	Low-voltage directives	—	EN61010-1	—
	EMC directives	Emission	EN55011-A	Terminal disturbance voltage
			EN55011-A	Electromagnetic radiation disturbance
		Immunity	EN61000-4-2	ESD (Electrostatic discharge)
			EN61000-4-3	RS (Radio-frequency amplitude modulated electromagnetic field)
			EN61000-4-4	Fast transients/burst
EN61000-4-6	Conducted disturbances			
UL	Acquired standards		Applicable standard	File No.
	UL		UL508C	E179775
	UL for Canada			

■ Dimension



Driver Controls and Connectors



1. Operating current selection switch (RUN)

The value of the motor current can be set when operating.

Dial	0	1	2	3	4	5	6	7
Stepping motor current (A)	2.0	1.9	1.8	1.7	1.6	1.5	1.4	1.3
Dial	8	9	A	B	C	D	E	F
Stepping motor current (A)	1.2	1.1	1.0	0.9	0.8	0.7	0.6	0.5

- The factory setting is F (0.5 A).
Select the current after checking the rated current of the combination motor.

2. Function selection DIP switchpack

Select the function depending on your specification.

Factory settings

	OFF	ON	
EX1	<input type="checkbox"/>	<input type="checkbox"/>	OFF
EX2	<input type="checkbox"/>	<input type="checkbox"/>	OFF
EX3	<input type="checkbox"/>	<input type="checkbox"/>	OFF
F/R	<input type="checkbox"/>	<input type="checkbox"/>	OFF
ACD1	<input type="checkbox"/>	<input type="checkbox"/>	OFF
ACD2	<input type="checkbox"/>	<input type="checkbox"/>	OFF
LV	<input type="checkbox"/>	<input type="checkbox"/>	OFF
EORG	<input type="checkbox"/>	<input type="checkbox"/>	OFF

Partition number: 8

Input method 2 (CW/CCW pulse input)

Stopping current: 40% of driving current

Micro step operation

Phase origin

1. Step angle select (EX1, EX2, EX3)

Select the partition number of the basic step angle.

EX1	EX2	EX3	Partition number
ON	ON	ON	1-division
OFF	ON	OFF	2-division
ON	OFF	OFF	4-division
OFF	OFF	OFF	8-division
OFF	OFF	ON	16-division

2. Input method select (F/R)

Select input pulse type.

F/R	Input pulse type
ON	1 input (CK, U/D)
OFF	2 input (CW, CCW)

3. Current selection when stopping (ACD1, ACD2)

Select the current value of the motor when stopping.

ACD2	ACD1	Current value of the motor
ON	ON	100% of driving current
ON	OFF	60% of driving current
OFF	ON	50% of driving current
OFF	OFF	40% of driving current

- Initial configuration of factory shipment is set to 40% of rated value. Driver and motor should be operated at around 50% of rated value to reduce heat.

4. Low-vibration mode select (LV)

Provides low-vibration, smooth operation even if resolution is coarse (1-division, 2-division, etc).

LV	Operation
ON	Auto-micro function
OFF	Micro-step

5. Excitation select (EORG)

The excitation phase when the power supply is engaged is selected.

EORG	Original excitation phase
ON	Excitation phase at power shut off
OFF	Phase origin

- By turning on the EORG, the excitation phase during power OFF will be saved. Therefore, there will be no shaft displacement when turning the power ON.

3. LED for power supply monitor (POW)

Lit up when the main circuit power supply is connected.

4. LED for alarm display (ALM)

Lights in the following conditions:

- Motor cable is broken.
- Switching element in driver is faulty.
- The main circuit voltage is out of specifications range (19 VDC max.).

When "ALM" is displayed, the winding current of the stepping motor is cut off and it is in a "non-excitation" state. At the same time, an output signal (photocoupler ON) is transmitted from the alarm output terminal (AL) to an external source. When the alarm circuit is operating, this state is maintained until it is reset by switching on the power supply again. When an alarm condition has occurred, please take corrective actions to rectify the cause of the alarm before switching on the power supply again.

5. I/O signal terminal block (CN1)

Connect the I/O signal.

6. Motor terminal block (CN2)

Connect the motor's power line.

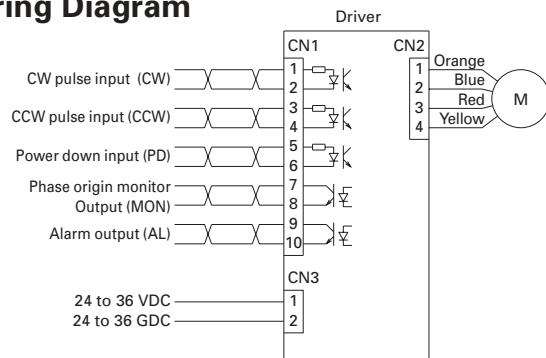
7. Power supply terminal block (CN3)

Connect the main circuit power supply.

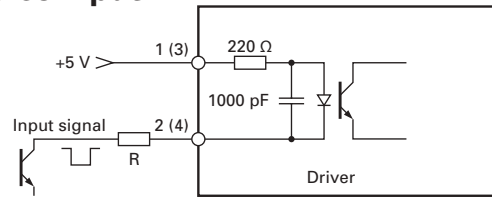
2-PHASE STEPPING SYSTEMS

Connections and Signals

Wiring Diagram



Pulse Input



- Pulse duty 50% max.
- Maximum input frequency: 150 kpulse/s
- When the crest value of the input signal exceeds 5 V, use the external limit resistance R to limit the input current to approximately 15 mA.

Applicable Wire Sizes

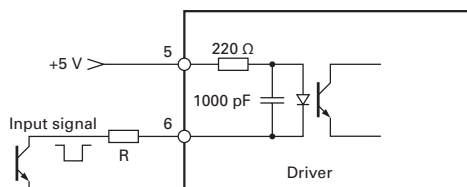
Part	Wire sizes	Allowable wire length
For power supply	22 AWG (0.3 mm ²)	2 m Max.
For input/output signal	24 AWG (0.2 mm ²) to 22 AWG (0.3 mm ²)	2 m Max.
For motor	22 AWG (0.3 mm ²)	Under 3 m

Specification Summary of Input/Output Signals

Signal	CN1 Pin number	Function summary
CW pulse input (CW) (Standard)	1 2	When in "2 input mode", input the drive pulse that rotates in a CW direction.
Pulse train input (CK)	1 2	When in "1 input mode", input the drive pulse train for motor rotation.
CCW pulse input (CCW) (Standard)	3 4	When in "2 input mode", input the drive pulse train that rotates in a CCW direction.
Rotational direction input (U/D)	3 4	When in "1 input mode", input the motor rotational direction signal. Internal photocoupler ON: CW direction Internal photocoupler OFF: CCW direction
Power down input (PD)	5 6	Inputting PD signal will cut off (power off) the current flow to the motor (With DIP switch selected, change to the low power function is possible). PD input signal on (internal photocoupler on): PD function is valid. PD input signal off (internal photocoupler off): PD function is invalid.
Phase origin monitor output (MON)	7 8	When the excitation phase is at the origin (during power on) this function turns on. When FULL step, ON once for 4 pulses; when HALF step, ON once for 8 pulses.
Alarm output (AL)	9 10	When alarm circuits are actuated inside the driver, outputs signals to outside, after which the stepping motor changes to unexcited status.

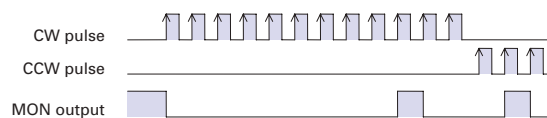
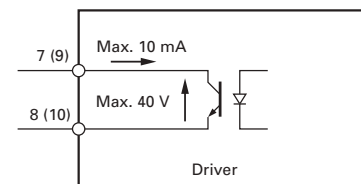
As for the motor rotational direction, CW direction is regarded as the clockwise rotation, and CCW direction is regarded as the counterclockwise rotation by viewing the motor from output shaft side.

Input Signal



When the crest value of the input signal exceeds 5 V, use the external limit resistance R to limit the input current to approximately 15 mA.

Output Signal



- Photocoupler is set to ON at phase origin of motor excitation (setting when number of divisions is 2).
- MON output is taken at every 7.2 degrees of motor output shaft from phase origin.



Motion Control Systems

R.T.A. is a leading company in the motion control industry and it is number one in Italy in the stepper system segment. Over the years, the partnership among R.T.A. and SANYO DENKI has achieved a strong market penetration, through the introduction of high technology products and innovative solutions.

■ Pulse Input

Driver Series	Model	Voltage Range	Current Range	Dimension
A-CSD	02.V	24 to 48 VDC	0.7 to 2.4 Amps	92 x 85 x 23 mm
	04.V	24 to 48 VDC	2.6 to 4.4 Amps	92 x 85 x 23 mm
A-NDC	06.V	24 to 85 VDC	1.9 to 6.0 Amps	94 x 101 x 25 mm
X-PLUS	B4	110 to 230 VAC	2.4 to 4.0 Amps	152 x 129 x 46 mm
X-MIND	B6	110 to 230 VAC	3.4 to 6.0 Amps	180 x 53 x 173 mm



■ Indexer, RS485 Serial Communication

Driver Series	Model	Voltage Range	Current Range	Dimension
CSD	J4	24 to 48 VDC	2.6 to 4.4 Amps	90 x 99 x 30 mm
X-MIND	K6	110 to 230 VAC	3.4 to 6.0 Amps	180 x 53 x 173 mm



■ Analog Input

Driver Series	Model	Voltage Range	Current Range	Dimension
ADW	06.V	24 to 75 VDC	1.9 to 6.0 Amps	94 x 122 x 25 mm



MOTION CONTROLLER

SANMOTION C

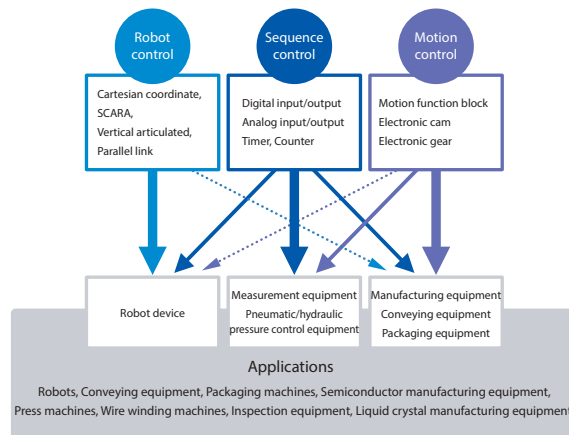
MOTION CONTROLLER

SANMOTION C integrates motion control, robot control, and sequence control into one unit to provide major advantages in reduced device costs and shorter development times. Several different types of industrial networks can be used. For use in material handling robots and general industrial machinery. Image processing devices and a touch panel have also been developed as motion controller peripherals.



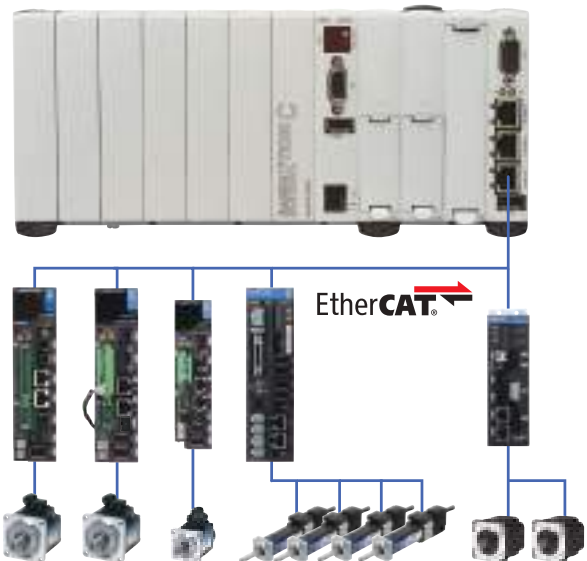
Controller with three control functions

The SANMOTION C has the three functions of motion control, robot control, and sequence control and makes it easy to build a variety of application systems.



With high-speed fieldbus EtherCAT interface

EtherCAT interface is provided as standard. With 100 Mbps high-speed and high-reliability communications, this fieldbus speeds up the system control capability and improves responsiveness. The takt time is significantly shortened.



SANMOTION EtherCAT Interface Models

SANMOTION R

3E Model EtherCAT Interface Type Servo Amplifier	P.40
EtherCAT Interface Type Servo Amplifier.....	P.45
EtherCAT Interface High Speed Type Servo Amplifier	P.50
EtherCAT Interface DC Input Type Servo Amplifier	P.59
EtherCAT Interface DC Input Type Multi Axis Servo Amplifier...	P.63

SANMOTION Model No.PB

DC Input Driver EtherCAT Model	P.90
DC Input Driver EtherCAT Multi-Axis Model	P.93

CPU module

Model	SMC265X		Remarks
CPU	1.8 GHz		
Memory	1 GB		
Battery backed up SRAM	1 MB		
Specifications of provided interfaces	EtherCAT	100 Mbps	Motion bus RJ-45 connector
	CAN	125 kbps to 1 Mbps	D-Sub 9-pin female connector
	RS485	1200 bps to 115200 bps	Mini-D-Sub 15-pin male connector
	Ethernet	10/100 Mbps	RJ-45 connector
	USB	USB 2.0 high speed	For memory storage
Expansion unit maximum	12		
Input power supply	24 VDC (19.2 VDC to 30 VDC)		2-pin connector x 1 (Phoenix Contact)
Maximum input power	99 W		
Rush current	10 A		
Maximum output power (K-BUS DC24V)	40 W		
Maximum output power (K-BUS DC5V)	10 W		
Weight	1,335 g		

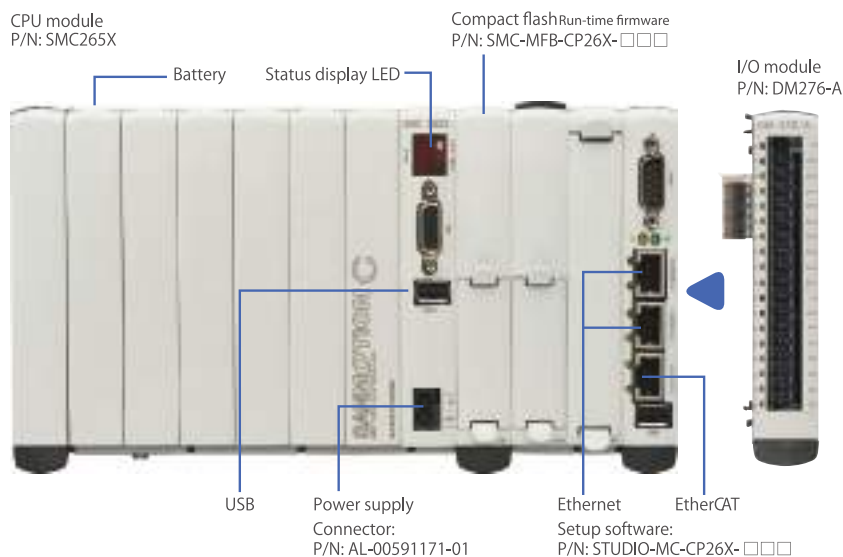
I/O module

P/N	Specifications	Mass	Cable side connector
DM276-A	Digital input: 6 points, 24 VDC, positive common input Digital output: 8 points, 24 VDC, 1 A, sink output	135 g	2-pin connector x 1 + 8-pin connector x 2 (Phoenix Contact)

Common specifications

Operating ambient temperature	0 to +55°C
Storage ambient temperature	-40 to +70°C
Operating/storage humidity	10 to 95% (no condensation)
Vibration resistance	Complies with EN 61131-2. For frequency range $5 \leq f < 9$ Hz, half amplitude: 3.5 mm; for frequency range $9 \leq f < 150$ Hz, acceleration: 9.8 m/s ² .
Shock resistance	147 m/s ² in compliance with EN61131-2
Operating altitude	2000 m max.
Installation location	In control panel
Overvoltage category	II or lower
Degree of pollution	2 or lower

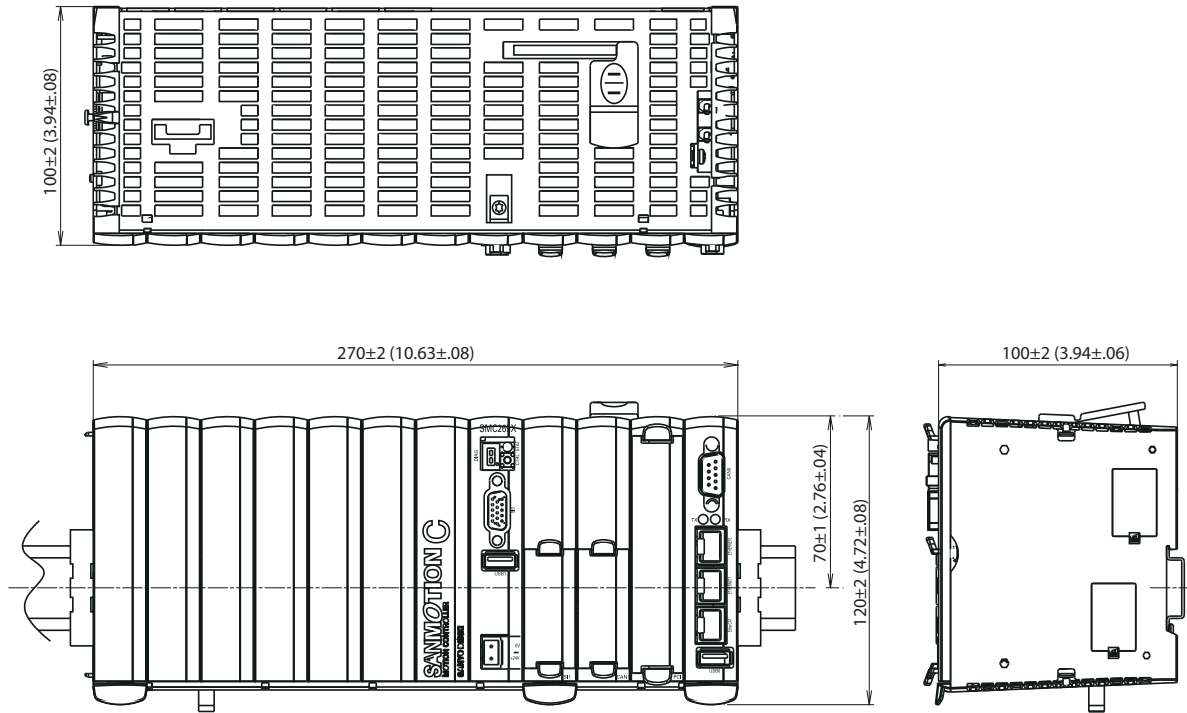
System Configuration



Dimensions

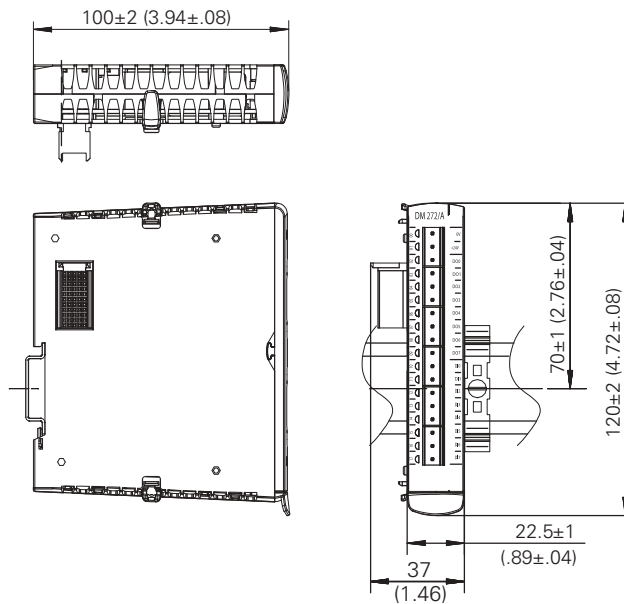
■ SMC265X

Unit: mm (inch)



■ DM276-A

Unit: mm (inch)



Value Added Assembly

SANYO DENKI AMERICA provides the total solution for motor drive system.

Depending the requirement, we assemble actuators, gearheads, connectors, cables, harnesses and some other peripheral parts to our product in our ISO 9001 certified factory.



Repair Service

SANYO DENKI AMERICA provides prompt service of overhaul and repair for legacy SANMOTION products in our official repair department.



■ Precautions For Adoption

Failure to follow the precautions on right may cause moderate injury and property damage, or in some circumstances, could lead to a serious accident.

Always follow all listed precautions.

Cautions

- Read the accompanying Instruction Manual carefully prior to using the product.
- If applying to medical devices and other equipment affecting people's lives, please contact us beforehand and take appropriate safety measures.
- If applying to equipment that can have significant effects on society and the general public, please contact us beforehand.
- Do not use this product in an environment where vibration is preset, such as in a moving vehicle or shipping vessel.
- Do not perform any retrofitting, re-engineering, or modification to this equipment.
- The products presented in this catalog are meant to be used for general industrial applications. If using for special applications related to aviation and space, nuclear power, electric power, submarine repeaters, etc., please contact us beforehand.

* For any question or inquiry regarding the above, contact our Sales Department.

SANYO DENKI AMERICA, INC.

Website URL <http://www.sanyodenki.us>

U.S. Headquarters

Address: 468 Amapola Ave., Torrance, CA 90501

Phone: 800 905 7989

Fax: 310 212 6686

Silicon Valley Office

Address: 1700 Wyatt Dr. Suite 17, Santa Clara, CA 95054

Phone: 408 988 1700

Fax: 408 982 1700

Chicago Office

Address: 1340 Remington Road Suite E, Schaumburg, IL 60173

Phone: 224 353 6420

Fax: 224 353 6302

Detroit Office (Repair Service)

Address: 37511 Schoolcraft Road, Livonia, MI 48150

Phone: 734 525 1806

Fax: 734 525 3367

Remarks:

* Specifications are subject to change without notice.

21-January-2019 4th Edition Rev.2