

SO SERIES

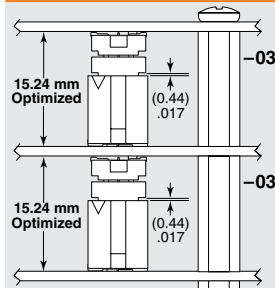
PRECISION BOARD STACKING STANDOFF

SPECIFICATIONS

For complete specifications and recommended PCB layouts see www.samtec.com?SO

Material: Aluminum
Locking Compound: Nylon

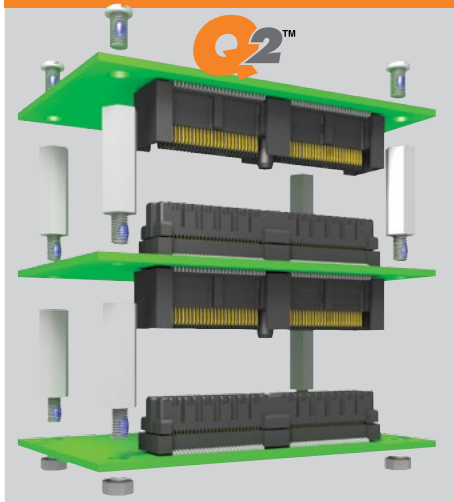
APPLICATIONS



See QMS/QFS Series SUMIT™ & PCI/104-Express™ connectors

Requires Standoff SO-1524-03-01-02-L 15.24mm board spacing. Connectors designed to not fully seat when mated.

APPLICATIONS



Ideal for use with all Samtec SI connectors

Precision machined tolerances (± .002" (0.05 mm))

RUGGEDIZED
BY SAMTEC

- Precision machined
- Locking compound

Stack heights from 5 mm to 25 mm

ALSO AVAILABLE
(MOQ Required)

- Other heights
- Stainless Steel
- Locking compound removed
- Other materials and threading
- No Hardware
- Contact Samtec.

SO — **BOARD STACKER** — **LEAD STYLE** — **THREAD STYLE** — **01** — **L**

Specify BOARD STACKER from chart

-01 = Female Thread/Press-In (-0515 thru -0865 only)

-02 = Male/Male Thread (-0515 and -1115 thru -2515 only)

-03 = Male/Female Thread (-0815 thru -2515 only)

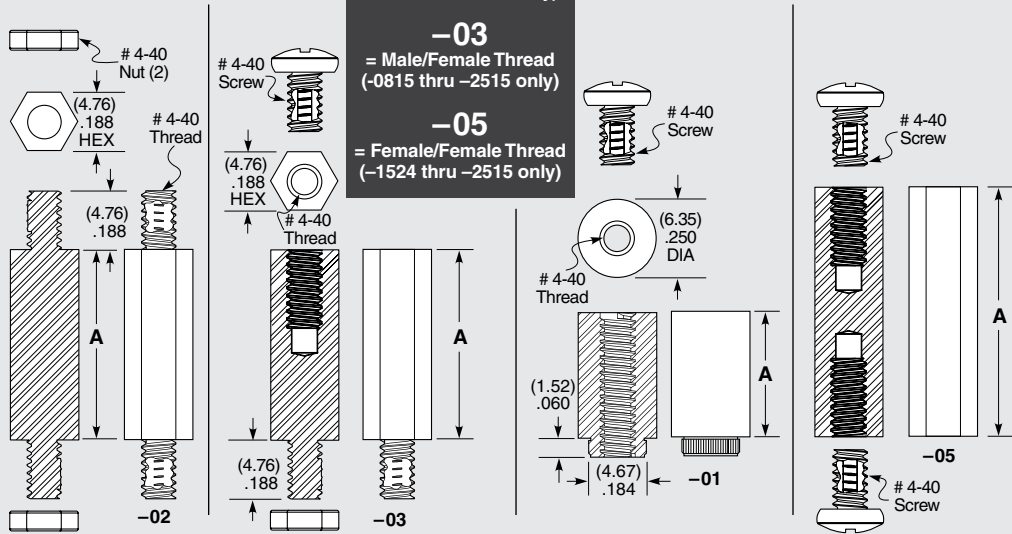
-05 = Female/Female Thread (-1524 thru -2515 only)

-01 = #4-40 Thread

-02 = M3 x 0.5 Thread

-L = -02 & -03 Lead Style thread locking compound (Leave blank for -01 Lead Style)

BOARD STACKER	A	BOARD STACK HEIGHT
-0515	(5.15) .203	5 mm
-0715	(7.15) .282	7 mm
-0815	(8.15) .321	8 mm
-0865	(8.65) .341	8.5 mm
-1115	(11.15) .439	11 mm
-1215	(12.15) .478	12 mm
-1524	(15.24) .600	15.24 mm
-1615	(16.15) .636	16 mm
-1890	(18.90) .744	18.75 mm
-1915	(19.15) .754	19 mm
-2515	(25.15) .990	25 mm



Notes:
 Standoffs are designed, 0.15 mm longer than connector stack heights to allow for processing variables.
 Some lengths, styles and options are non-standard, non-returnable.

Components are to be packaged in separate bags unassembled.

Due to technical progress, all designs, specifications and components are subject to change without notice.

WWW.SAMTEC.COM

All parts within this catalog are built to Samtec's specifications. Customer specific requirements must be approved by Samtec and identified in a Samtec customer-specific drawing to apply.