



MPS-06-01-01-L-RA-SD



MPT-04-01-01-L-RA-SD

(5.00 mm) .1969"

MPT-RA, MPS-RA SERIES

RIGHT-ANGLE 30 A POWER CONNECTORS

MPT-RA Mates with:
MPS, MPSS

MPS-RA Mates with:
MPT

SPECIFICATIONS

Insulator Material:
Black LCP
Terminal Material:
Copper Alloy
Plating:
Sn or Au over
50 μm (1.27 μm) Ni
Operating Temp Range:
-55 °C to +105 °C with Tin;
-55 °C to +125 °C with Gold
Voltage Rating:
575 VAC/812 VDC
Standard Creepage:
(2.86 mm) .113"
Standard Clearance:
(2.71 mm) .106"
RoHS Compliant:
Yes
Lead-Free Solderable:
Yes

MPT-RA/MPS-RA	
POWER PINS	CURRENT RATING (PER CONTACT)
1	23.3 A
2	20.5 A
3	19.4 A
4	18.4 A
All	17.2 A
-L PLATING	

RECOGNITIONS



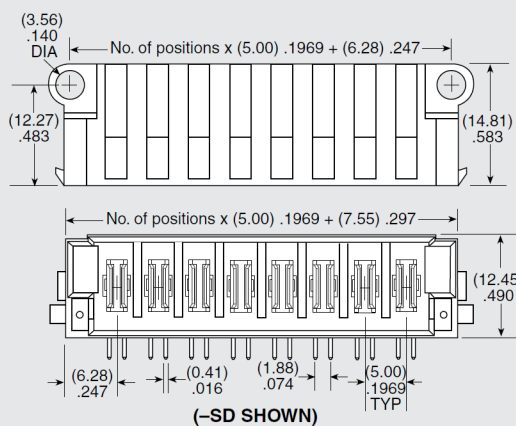
OTHER SOLUTIONS

- Power/Signal combination headers & sockets (see MPTC or MPSC Series)
- High Power Headers (see PET Series)
- High Power Sockets (see PES Series)
- Vertical (see MPT or MPS Series)

Note: Some sizes, styles and options are non-standard, non-returnable.



-02, -04, -06, -08



-01
= Use with
(1.60 mm) .062"
Thick PCB

-03
= Use with
(2.36 mm) .093"
Thick PCB

-L
= 10 μm (0.25 μm) Gold on contact,
Matte Tin on tail

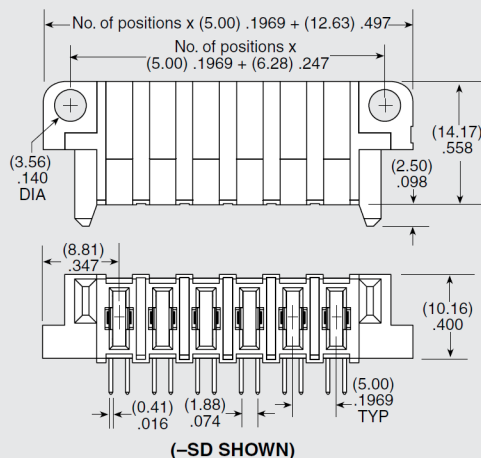
-T
= Matte Tin

RUGGEDIZED
BY SAMTEC

• Screw downs



-02, -04, -06, -08



-01
= Use with
(1.60 mm) .062"
Thick PCB

-03
= Use with
(2.36 mm) .093"
Thick PCB

-L
= 10 μm (0.25 μm) Gold on contact,
Matte Tin on tail

-T
= Matte Tin

ALSO AVAILABLE (MOQ Required)

- Other sizes
 - Locking Clip (Manual placement required)
 - Increased creepage and clearance with the removal of contacts
- Contact Samtec.