

DCA-RPBH-019

RPBH-019-01

RPBH SERIES

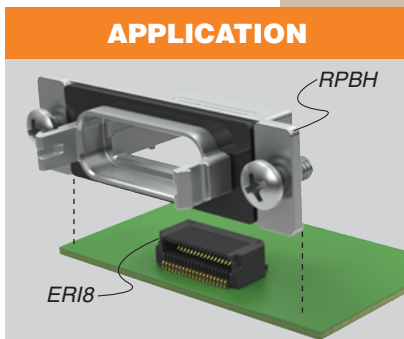
SEALED I/O SYSTEM

SPECIFICATIONS

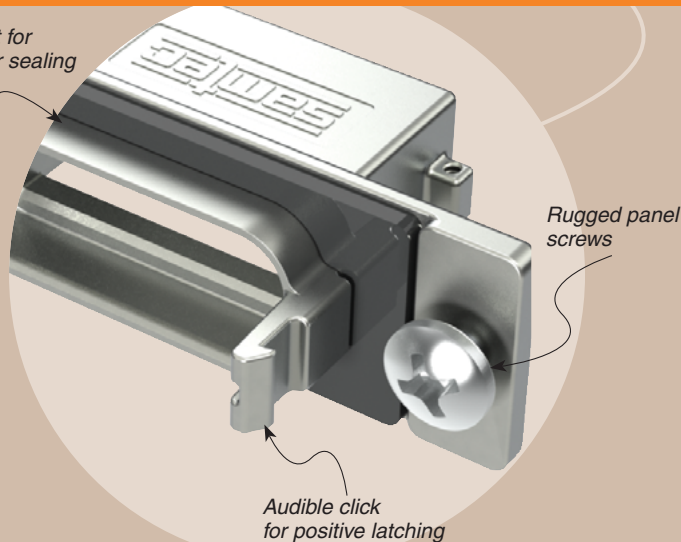
For complete specifications and recommended PCB layouts see www.samtec.com?RPBH

Use with:
RCH

Rubber gasket for dust and water sealing



APPLICATION



Protocols Supported

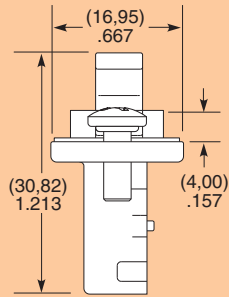
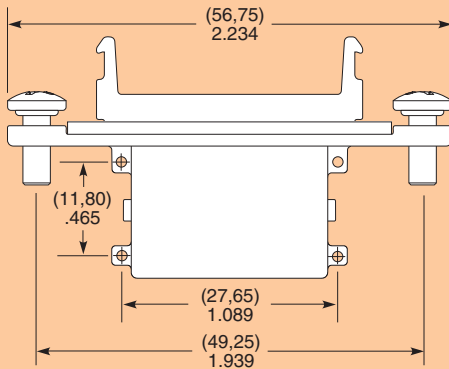
- SAS
- SATA
- Fibre Channel
- Ethernet
- PCIe®
- InfiniBand™

Contact SIG@samtec.com for questions on protocols

TYPE	NO. OF POSITIONS	01
RPBH = Cage	-019 = Number of Positions	

DUST CAP

DCA-RPBH-019 Series



Due to technical progress, all designs, specifications and components are subject to change without notice.

WWW.SAMTEC.COM