

(0.50 mm) .0197"

QTH-RA SERIES

RIGHT-ANGLE GROUND PLANE HEADER

SPECIFICATIONS

For complete specifications and recommended PCB layouts see www.samtec.com?QTH-RA or www.samtec.com?QTH-DP-RA

Insulator Material:
Black Liquid Crystal Polymer

Terminal Material:
Phosphor Bronze

Weild Tab:
Phosphor Bronze

Ground Plane:
Phosphor Bronze

Plating:

Au or Sn over

50 μ" (1.27 μm) Ni

Current Rating:

Contact:

2.2 A per pin

(2 pins powered)

Ground Plane:

21.8 A per ground plane

(1 ground plane powered)

Operating Temp Range:

-55 °C to +125 °C

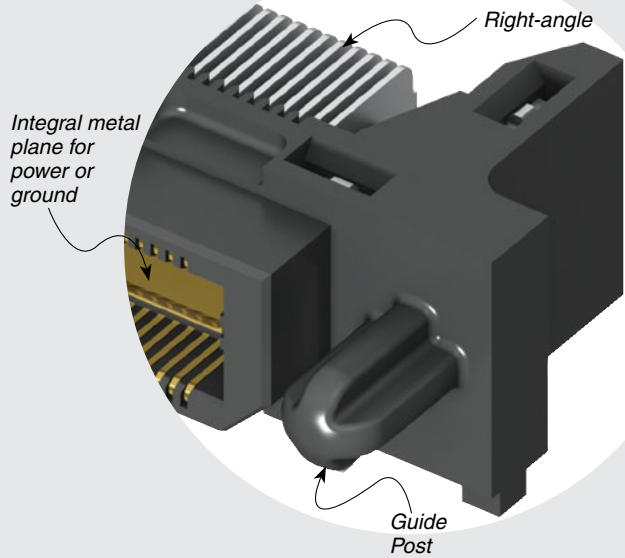
Voltage Rating:

220 VAC

RoHS Compliant:

Yes

Board Mates:
QSH



Right-angle

Integral metal plane for power or ground

Guide Post

PROCESSING

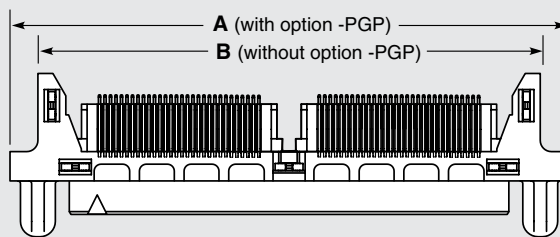
Lead-Free Solderable:

Yes

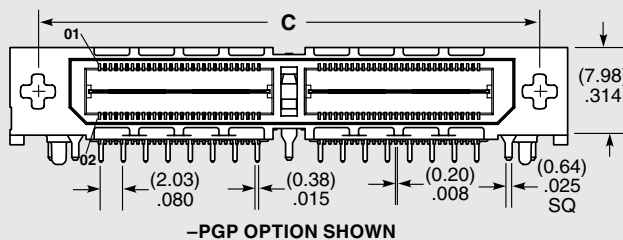
SMT Lead Coplanarity:

(0.10 mm) .004" max (020-090)

QTH	PINS PER ROW NO. OF PAIRS	01	PLATING OPTION	TYPE	RA	OTHER OPTION
	<p>-030, -060, -090 -D = (60 total pins per bank)</p> <p>-020, -040, -060 -D-DP = (20 pairs per bank)</p>		<p>-F = Gold Flash on contact, Matte Tin on tails</p> <p>-L = 10 μ" (0.25 μm) Gold contact, Matte Tin on tails</p>	<p>-D = Single-Ended</p> <p>-D-DP = Differential Pair</p>		<p>-PGP = Plastic Guide Post</p> <p>-K = (7.00 mm) .275" DIA Polyimide film Pick & Place Pad</p>



NO. OF PAIRS	PINS PER ROW	A	B	C
-020	-030	(30.80) 1.213	(25.72) 1.013	(25.72) 1.013
-040	-060	(50.80) 2.000	(45.72) 1.800	(45.72) 1.800
-060	-090	(70.80) 2.788	(65.72) 2.588	(65.72) 2.588



Note:
Some lengths, styles and options are non-standard, non-returnable.

Due to technical progress, all designs, specifications and components are subject to change without notice.

WWW.SAMTEC.COM

All parts within this catalog are built to Samtec's specifications. Customer specific requirements must be approved by Samtec and identified in a Samtec customer-specific drawing to apply.