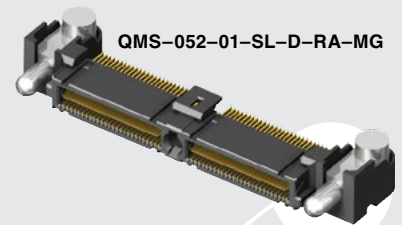


QMS-016-01-SL-D-DP-RA-MG



QMS-052-01-SL-D-RA-MG

**QMS-RA SERIES**

**(0.635 mm) .025"**

# RIGHT-ANGLE GROUND PLANE HEADER

## SPECIFICATIONS

For complete specifications and recommended PCB layouts see [www.samtec.com?QMS-RA](http://www.samtec.com?QMS-RA)

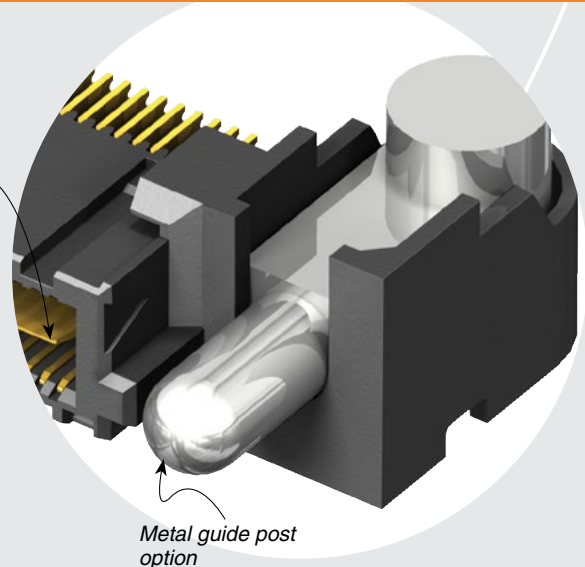
**Insulator Material:**  
Liquid Crystal Polymer  
**Terminal & Ground Plane Material:**  
Phosphor Bronze  
**Plating:**  
Au over 50 μ" (1.27 μm) Ni (Tin on Ground Plane Tail)  
**Voltage Rating:**  
300 VAC  
**Operating Temp:**  
-55 °C to +125 °C  
**RoHS Compliant:**  
Yes

**Board Mates:**  
QFS

**RUGGEDIZED**  
BY SAMTEC

- Increased insertion depth
- Integral guide post
- PCB mounting pins

Integral metal plane for power or ground



Metal guide post option

## PROCESSING

**Lead-Free Solderable:**  
Yes  
**SMT Lead Coplanarity:**  
(0.10 mm) .004" max (026-052)  
(0.15 mm) .006" max (078)\*  
\*(.004" stencil solution may be available; contact IPG@samtec.com)

## HIGH-SPEED CHANNEL PERFORMANCE

QMS-RA/QFS-RA

Rating based on Samtec reference channel.  
For full SI performance data visit [Samtec.com](http://Samtec.com) or contact [SIG@samtec.com](mailto:SIG@samtec.com)

**14**  
Gbps

## RECOGNITIONS

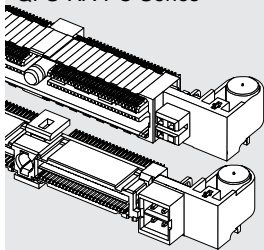
For complete scope of recognitions see [www.samtec.com/quality](http://www.samtec.com/quality)



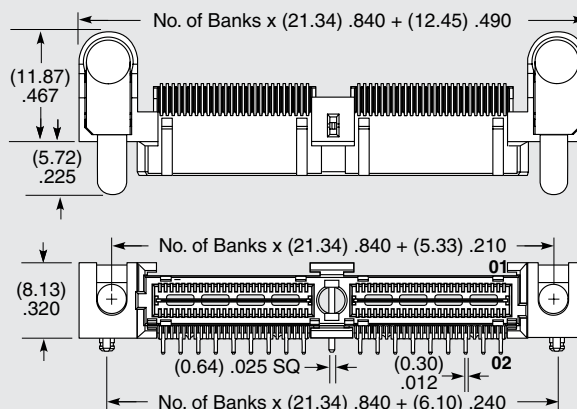
QMS	PINS PER ROW NO. OF PAIRS	01	PLATING OPTION	TYPE	RA	MG	OTHER OPTION
	-026, -052, -078 (52 total pins per bank = -D)		-SL = 10 μ" (0.25 μm) Gold on Signal Pins and Ground Plane, Matte Tin on tails	-D = Single-Ended -D-DP = Differential Pair		-MG = Metal Guide Post	-K = Polyimide film Pick & Place Pad  -TR = Tape & Reel (-016, -026, -032 & -052 positions only)

## OTHER SOLUTIONS

Combination Signal/Power  
See QMS-RA-PC Series or QFS-RA-PC Series



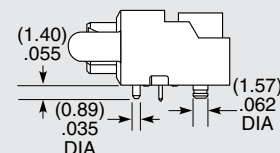
**Note:**  
Some lengths, styles and options are non-standard, non-returnable.



### ALSO AVAILABLE (MOQ Required)

- Other platings
- Plastic Guide Post option
- -02 lead style for (2.36 mm) .093" thick board
- 64 (-DP) and 104 positions per row

Contact Samtec.



Due to technical progress, all designs, specifications and components are subject to change without notice.

[WWW.SAMTEC.COM](http://WWW.SAMTEC.COM)

All parts within this catalog are built to Samtec's specifications.  
Customer specific requirements must be approved by Samtec and identified in a Samtec customer-specific drawing to apply.