

FCF8-20-01-L-03.00-S

FCF8-10-01-L-03.00-S



FCS8-20-01-L-S-A-TR

FCS8-10-01-L-S-A-TR

FCF8, FCS8 SERIES

(0.80 mm) .0315"

HIGH-SPEED COST EFFECTIVE COAX CABLE

SPECIFICATIONS

For complete specifications see www.samtec.com?FCF8

Cable: 38 AWG coax
Overmold: Nylon
Terminal Material: Phosphor Bronze
Contact Plating: Au or Sn over 50 μm (1.27 μm) Ni
Operating Temp Range: -25 °C to +105 °C
Current Rating: 1.8 A per pin (1 pin powered)
RoHS Compliant: Yes

RECOGNITIONS

For complete scope of recognitions see www.samtec.com/quality

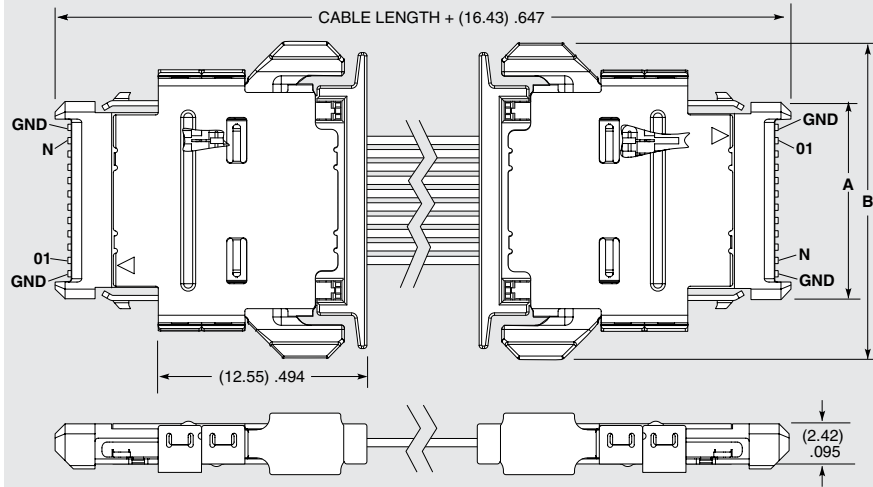


Notes:
 Design your High-Speed Cable with Samtec's High-Speed Cable Solutionator® at www.samtec.com/hdr

Cable lengths longer than 40.00" (1 meter) are not supported with S.I. test data.

Some lengths, styles and options are non-standard, non-returnable.

| | | | | | |
|----------------------------|-------------------------|----------------------|---|--|----------|
| FCF8 | NO. OF POSITIONS | 01 | PLATING OPTION | CABLE LENGTH | S |
| Mates with: FCS8 | | -10, -20, -30 | -L = 10 μm (0.25 μm) Gold on contact, Matte Tin on tail | - "XX.XX" = Length in Inches 03.00" (76.2 mm) minimum | |



| NO. OF POSITIONS | A | B |
|------------------|---------------|---------------|
| -10 | (11.85) .467 | (19.00) .748 |
| -20 | (19.85) .781 | (27.00) 1.063 |
| -30 | (27.85) 1.096 | (35.00) 1.378 |

ALSO AVAILABLE (MOV Required)

- Other sizes and lengths Contact Samtec.

SPECIFICATIONS

For complete specifications and recommended PCB layouts see www.samtec.com?FCS8

Insulator Material: Black LCP
Contact Material: BeCu
Contact Plating: Au or Sn over 50 μm (1.27 μm) Ni
Shield: Nickel Plated Phosphor Bronze
Operating Temp Range: -55 °C to +125 °C
Current Rating: 1.8 A per pin (1 pin powered)
RoHS Compliant: Yes

PROCESSING

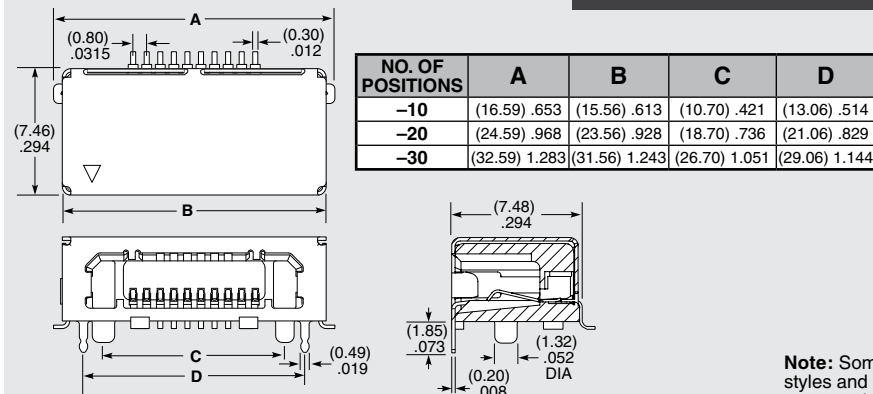
Lead-Free Solderable: Yes
SMT Lead Coplanarity: (0.15 mm) .006" max

RECOGNITIONS

For complete scope of recognitions see www.samtec.com/quality



| | | | | | | |
|----------------------------|-------------------------|----------------------|---|----------|----------|-----------------------------|
| FCS8 | NO. OF POSITIONS | 01 | PLATING OPTION | S | A | TR |
| Mates with: FCF8 | | -10, -20, -30 | -L = 10 μm (0.25 μm) Gold on contact, Matte Tin on tail | | | -TR = Tape & Reel |



| NO. OF POSITIONS | A | B | C | D |
|------------------|---------------|---------------|---------------|---------------|
| -10 | (16.59) .653 | (15.56) .613 | (10.70) .421 | (13.06) .514 |
| -20 | (24.59) .968 | (23.56) .928 | (18.70) .736 | (21.06) .829 |
| -30 | (32.59) 1.283 | (31.56) 1.243 | (26.70) 1.051 | (29.06) 1.144 |

RUGGEDIZED BY SAMTEC

- Weld tabs
- Positive latching
- Shielded for EMI protection

Note: Some lengths, styles and options are non-standard, non-returnable.

Due to technical progress, all designs, specifications and components are subject to change without notice.

WWW.SAMTEC.COM

All parts within this catalog are built to Samtec's specifications. Customer specific requirements must be approved by Samtec and identified in a Samtec customer-specific drawing to apply.