

FCF8-20-01-L-03.00-S

FCF8-10-01-L-03.00-S



FCS8-20-01-L-S-A-TR

FCS8-10-01-L-S-A-TR

**FCF8, FCS8 SERIES**

**(0.80 mm) .0315"**

# HIGH-SPEED COST EFFECTIVE COAX CABLE

## SPECIFICATIONS

For complete specifications see [www.samtec.com?FCF8](http://www.samtec.com?FCF8)

**Cable:** 38 AWG coax  
**Overmold:** Nylon  
**Terminal Material:** Phosphor Bronze  
**Contact Plating:** Au or Sn over 50 μm (1.27 μm) Ni  
**Operating Temp Range:** -25 °C to +105 °C  
**Current Rating:** 1.8 A per pin (1 pin powered)  
**RoHS Compliant:** Yes

## RECOGNITIONS

For complete scope of recognitions see [www.samtec.com/quality](http://www.samtec.com/quality)

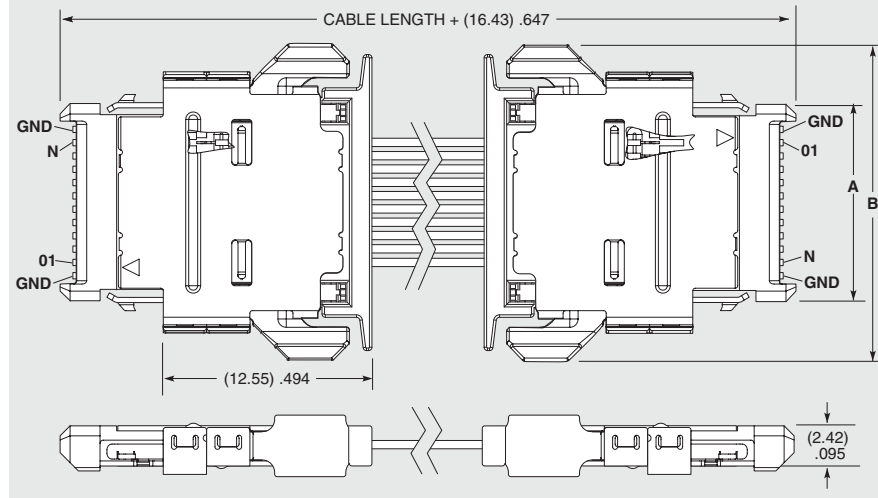


**Notes:**  
 Design your High-Speed Cable with Samtec's High-Speed Cable Solutionator® at [www.samtec.com/hdr](http://www.samtec.com/hdr)

Cable lengths longer than 40.00" (1 meter) are not supported with S.I. test data.

Some lengths, styles and options are non-standard, non-returnable.

<b>FCF8</b>	<b>NO. OF POSITIONS</b>	<b>01</b>	<b>PLATING OPTION</b>	<b>CABLE LENGTH</b>	<b>S</b>
<b>Mates with:</b> FCS8		<b>-10, -20, -30</b>	<b>-L</b> = 10 μm (0.25 μm) Gold on contact, Matte Tin on tail	<b>- "XX.XX"</b> = Length in Inches 03.00" (76.2 mm) minimum	



NO. OF POSITIONS	A	B
-10	(11.85) .467	(19.00) .748
-20	(19.85) .781	(27.00) 1.063
-30	(27.85) 1.096	(35.00) 1.378

**ALSO AVAILABLE (MOV Required)**

- Other sizes and lengths

## SPECIFICATIONS

For complete specifications and recommended PCB layouts see [www.samtec.com?FCS8](http://www.samtec.com?FCS8)

**Insulator Material:** Black LCP  
**Contact Material:** BeCu  
**Contact Plating:** Au or Sn over 50 μm (1.27 μm) Ni  
**Shield:** Nickel Plated Phosphor Bronze  
**Operating Temp Range:** -55 °C to +125 °C  
**Current Rating:** 1.8 A per pin (1 pin powered)  
**RoHS Compliant:** Yes

## PROCESSING

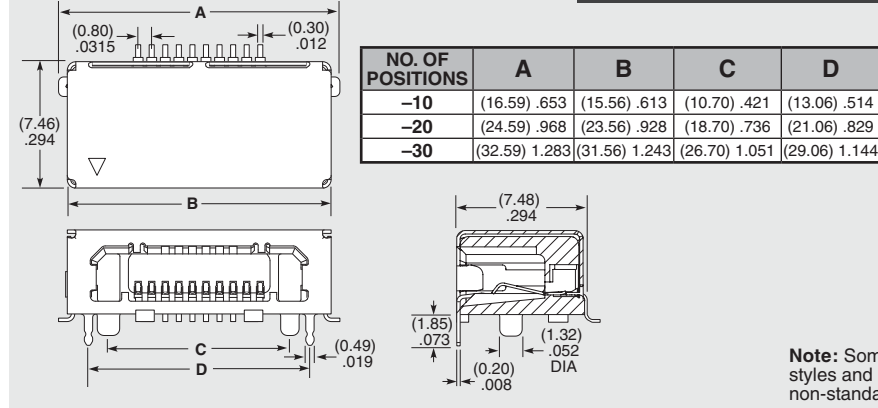
**Lead-Free Solderable:** Yes  
**SMT Lead Coplanarity:** (0.15 mm) .006" max\*  
 \*(.004" stencil solution may be available; contact [IPG@samtec.com](mailto:IPG@samtec.com))

## RECOGNITIONS

For complete scope of recognitions see [www.samtec.com/quality](http://www.samtec.com/quality)



<b>FCS8</b>	<b>NO. OF POSITIONS</b>	<b>01</b>	<b>PLATING OPTION</b>	<b>S</b>	<b>A</b>	<b>TR</b>
<b>Mates with:</b> FCF8		<b>-10, -20, -30</b>	<b>-L</b> = 10 μm (0.25 μm) Gold on contact, Matte Tin on tail			<b>-TR</b> = Tape & Reel



NO. OF POSITIONS	A	B	C	D
-10	(16.59) .653	(15.56) .613	(10.70) .421	(13.06) .514
-20	(24.59) .968	(23.56) .928	(18.70) .736	(21.06) .829
-30	(32.59) 1.283	(31.56) 1.243	(26.70) 1.051	(29.06) 1.144

**RUGGEDIZED BY SAMTEC**

- Weld tabs
- Positive latching
- Shielded for EMI protection

**Note:** Some lengths, styles and options are non-standard, non-returnable.

*Due to technical progress, all designs, specifications and components are subject to change without notice.*

[WWW.SAMTEC.COM](http://WWW.SAMTEC.COM)

All parts within this catalog are built to Samtec's specifications. Customer specific requirements must be approved by Samtec and identified in a Samtec customer-specific drawing to apply.