

ABSOLUTE MAXIMUM RATINGS

		VALUE	UNIT
VDD	Positive DC Supply Voltage, VDD	0.0 to +5.50	V
–VDD	Negative DC Supply Voltage, –VDD	–5.5 to 0	V
Pin	RF Input Power	10	dBm
T _J	Junction Temperature	200	°C
Pd	Power Dissipation	1	W
	Digital Input Pins	–0.3 to 5.5	V
θ _{JC}	Thermal Resistance Junction to Case ⁽¹⁾	9.01	°C/W
T _{stg}	Storage Temperature	–40 to 105	°C
T _{op}	Operating Temperature	–40 to 85	°C
	Lead Temperature	260	°C

(1) Thermal resistance is junction to ambient assuming thermal pad with 16 thermal vias under package metal base. See Recommended PCB layout.

DC SPECIFICATIONS

PARAMETER		TEST CONDITIONS	MIN	TYP	MAX	UNIT
VDD	Positive Supply Voltage		4.75	5	5.25	V
IDD	Positive Supply Current (Total)			170	185	mA
VNEG	Negative Supply Voltage		–5.25	–5	–4.75	V
INEG	Negative Supply Current		–6	3	6	mA
I _{VDD2}	Supply Current RF 2, pin 2			48		mA
I _{LO}	Supply Current, LO, pin 14			50		mA
I _{IF}	Supply Current, IF	Pins 17, 18, and 26 combined.		44		mA
I _{VDD1}	Supply Current RF1, pin 31			28		
V _{IH}	Input High Voltage		2.5	5		V
V _{IL}	Input Low Voltage				0.8	V
I _{IH}	Input High Current				300	μA
I _{IL}	Input Low Current		–50			μA

ELECTRICAL CHARACTERISTICS⁽¹⁾

 Unless otherwise stated VDD = 5.0 V, VNEG = –5 V, External Filter loss = 2 dB, T_A = 25°C

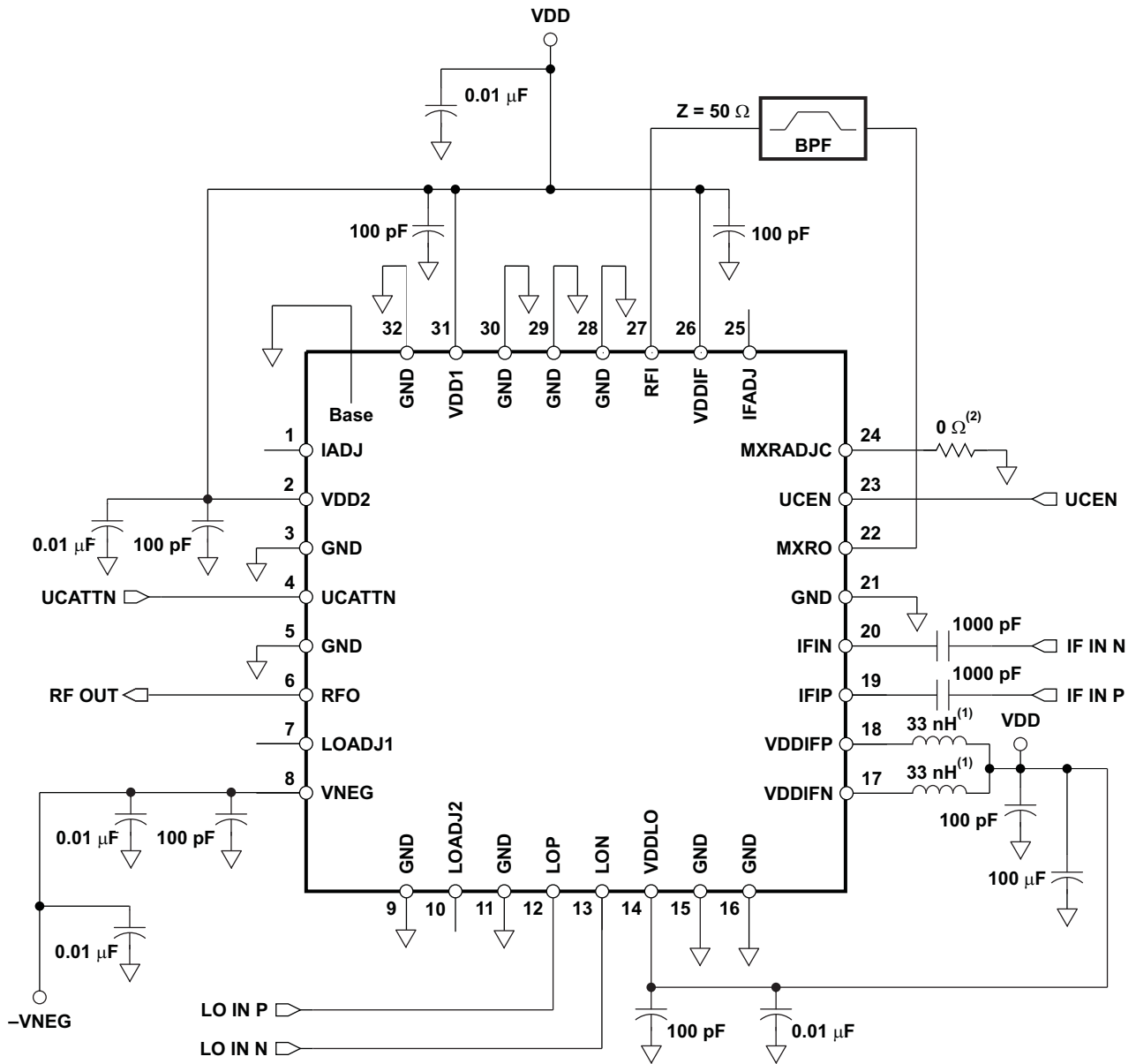
PARAMETER		TEST CONDITIONS	MIN	TYP	MAX	UNIT
F _{IF}	IF input frequency			325		MHz
F _{RF}	RF output frequency		2100		2700	MHz
G	Gain	UCATTN = TTL High, Input IF Impedance is 100 Ω differential	20			dB
	Switched attenuator range	Valid at 2.5 GHz	15	16	17	dB
G _{NB}	Gain flatness / 6 MHz				0.2	dB
OP-1dB	Output power at 1 dB compression, high gain	UCATTN = TTL High		14		dBm
OIP3	Output third order intercept point, high gain	UCATTN = TTL High		24		dBm
	Gain: IF to MXRO	UCATTN = TTL High		1		dB
	Gain: RFI to RFO	UCATTN = TTL High		19		dB
Z _{RF}	RF output impedance	Differential		50		Ω
RL _{RF}	RF output: return loss	Z = 50 Ω, P _{LO} = 3 dBm, F _{RF} = 2100-2700 MHz		–10		dB
Z _{LO}	LO input impedance	Differential		100		Ω
P _{LO}	LO input power	Referenced to 100 Ω differential	–3	0	3	dB
RL _{LO}	LO input return loss	Referenced to 100 Ω differential, LO input = 3 dBm		–10		dB
Z _{IF}	IF input impedance	Differential		100		Ω
RL _{IF}	IF1 input return loss	Referenced to 100 Ω differential		–10		dB
	LO to RFO: leakage ⁽¹⁾	LO input = 0 dBm		–20		dBm

(1) Performance is sensitive to impedance termination and board layout.

TERMINAL FUNCTIONS

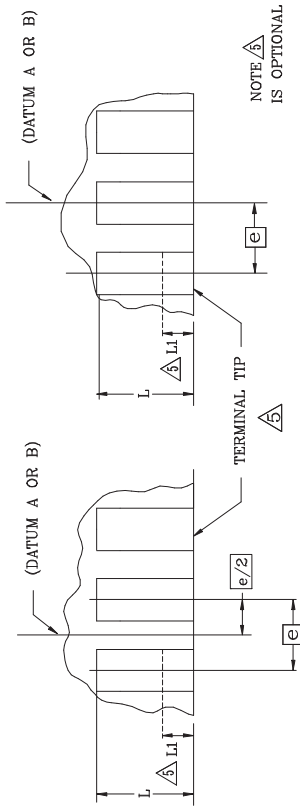
TERMINAL		I/O	TYPE	DESCRIPTION
NO.	NAME			
1	IADJ			Not connected for normal operation. Amplifier Bias Adjustment. Do not ground this pin or connect to any other pin.
2	VDD2	I	Power	RF amplifier bias +5 V
3, 5, 9, 11, 15, 16, 21, 28–30, 32	GND			Ground
4	UCATTN	I	Digital	Logic high is high gain, Logic low reduces gain by 16 dB. Normally set high.
6	RFO	O	Analog	RF output from RF amplifier
7	LOADJ1			Not connected for normal operation. LO common gate bias adjustment. Do not ground this pin or connect to any other pin.
8	VNEG	I	Power	Negative bias used for enable circuitry -5 V. This pin can be grounded if the user does not use the UCEN pin to turnoff the amplifier. If the VNEG is grounded the UCEN pin should be tied high.
10	LOADJ2			Not connected for normal operation. LO amplifier bias adjustment. Do not ground this pin or connect to any other pin.
12	LOP	I	Analog	LO input, Positive, Internally ac coupled
13	LON	I	Analog	LO input, Negative, Internally ac coupled.
14	VDDLO	I	Power	Positive power for LO amplifier, +5 V.
17	VDDIFN	I	Analog	VDD supply for IF amplifier, negative, +5 V
18	VDDIFP	I	Analog	VDD supply for IF amplifier, positive, +5 V
19	IFIP	I	Analog	IF input, positive, dc coupled, Typical dc voltage is 1.2 V.
20	IFIN	I	Analog	IF input, negative, dc coupled Typical dc voltage is 1.2 V.
22	MXRO	O	Analog	Output of mixer (after balun) 50 Ω impedance with high impedance DC ground.
23	UCEN		Digital	Set HIGH to enable IF amplifier and RF amplifiers
24	MXRADJ	I	Analog	Normally grounded. Provide 0 Ω jumper to ground.
25	IFADJ	I		Not connected for normal operation. IF amplifier bias adjustment. Do not ground this pin or connect to any other pin.
26	VDDIF	I	Power	Positive supply for IF bias circuitry +5 V
27	RFI	I	Analog	Input to RF amplifier, 50 Ω impedance, Internally AC coupled
31	VDDI	I	Power	RF amplifier bias +5 V
Back	GND			Back of package has metal base that must be grounded for thermal and RF performance.

APPLICATION SCHEMATIC



S0196-01

APPLICATION INFORMATION



ODD TERMINAL/SIDE

EVEN TERMINAL/SIDE

DETAIL B

PACKAGE REF.	MIN.	NOM.	MAX.
A	0.80	0.90	1.00
b	0.225	0.250	0.275
D	4.90	5.00	5.10
D2	3.650	3.800	3.950
E	4.90	5.00	5.10
E2	3.650	3.800	3.950
e	0.50 BSC.		
L	0.35	0.40	0.45
N	32		
ND	8		
NE	8		

SYMBOL	COMMON DIMENSIONS		NOM.	MAX.
	MIN.	MAX.		
A1	0	0.02	0.05	
A3	0.25 REF.			
k	0.20	-		
TOLERANCES OF FORM AND POSITION				
aaa	0.15			
bbb	0.10			
ccc	0.10			

NOTES:

- DIMENSIONING AND TOLERANCING CONFORM TO ASME Y14.5M-1994.
 - ALL DIMENSIONS ARE IN MILLIMETERS. ANGLES ARE IN DEGREES.
 - N IS THE TOTAL NUMBER OF TERMINALS.
- THE TERMINAL #1 IDENTIFIER AND TERMINAL NUMBERING CONVENTION SHALL CONFORM TO JESD 95-1 SPP-012. DETAILS OF TERMINAL #1 IDENTIFIER ARE OPTIONAL, BUT MUST BE LOCATED WITHIN THE ZONE INDICATED. THE TERMINAL #1 IDENTIFIER MAY BE EITHER A MOLD OR MARKED FEATURE.

- ▲ DIMENSION b APPLIES TO METALLIZED TERMINAL AND IS MEASURED BETWEEN 0.25mm AND 0.30mm FROM TERMINAL TIP. DIMENSION L1 IS THE TERMINAL PULL BACK FROM PACKAGE EDGE, UP TO 0.1mm IS ACCEPTABLE. L1 IS OPTIONAL.
- ▲ ND AND NE REFER TO THE NUMBER OF TERMINAL ON EACH D AND E SIDE RESPECTIVELY.

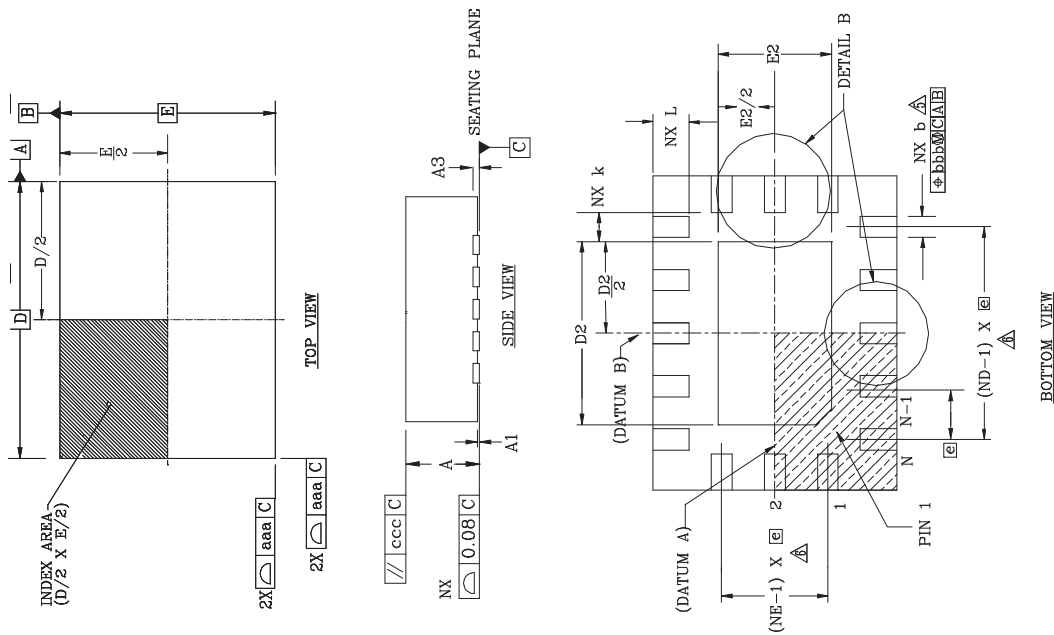


Figure 3. Package Outline: 5 mm x 5 mm LPCC 32-Pin Leadless Package

PACKAGING INFORMATION

Orderable Device	Status (1)	Package Type	Package Drawing	Pins	Package Qty	Eco Plan (2)	Lead/Ball Finish (6)	MSL Peak Temp (3)	Op Temp (°C)	Device Marking (4/5)	Samples
TRF1122IRTMR	LIFEBUY	VQFN	RTM	32	2500	Green (RoHS & no Sb/Br)	CU SN	Level-3-260C-168 HR		TRF 1122	
TRF1122IRTMT	LIFEBUY	VQFN	RTM	32	250	Green (RoHS & no Sb/Br)	CU SN	Level-3-260C-168 HR		TRF 1122	

(1) The marketing status values are defined as follows:

ACTIVE: Product device recommended for new designs.

LIFEBUY: TI has announced that the device will be discontinued, and a lifetime-buy period is in effect.

NRND: Not recommended for new designs. Device is in production to support existing customers, but TI does not recommend using this part in a new design.

PREVIEW: Device has been announced but is not in production. Samples may or may not be available.

OBSOLETE: TI has discontinued the production of the device.

(2) Eco Plan - The planned eco-friendly classification: Pb-Free (RoHS), Pb-Free (RoHS Exempt), or Green (RoHS & no Sb/Br) - please check <http://www.ti.com/productcontent> for the latest availability information and additional product content details.

TBD: The Pb-Free/Green conversion plan has not been defined.

Pb-Free (RoHS): TI's terms "Lead-Free" or "Pb-Free" mean semiconductor products that are compatible with the current RoHS requirements for all 6 substances, including the requirement that lead not exceed 0.1% by weight in homogeneous materials. Where designed to be soldered at high temperatures, TI Pb-Free products are suitable for use in specified lead-free processes.

Pb-Free (RoHS Exempt): This component has a RoHS exemption for either 1) lead-based flip-chip solder bumps used between the die and package, or 2) lead-based die adhesive used between the die and leadframe. The component is otherwise considered Pb-Free (RoHS compatible) as defined above.

Green (RoHS & no Sb/Br): TI defines "Green" to mean Pb-Free (RoHS compatible), and free of Bromine (Br) and Antimony (Sb) based flame retardants (Br or Sb do not exceed 0.1% by weight in homogeneous material)

(3) MSL, Peak Temp. - The Moisture Sensitivity Level rating according to the JEDEC industry standard classifications, and peak solder temperature.

(4) There may be additional marking, which relates to the logo, the lot trace code information, or the environmental category on the device.

(5) Multiple Device Markings will be inside parentheses. Only one Device Marking contained in parentheses and separated by a "~" will appear on a device. If a line is indented then it is a continuation of the previous line and the two combined represent the entire Device Marking for that device.

(6) Lead/Ball Finish - Orderable Devices may have multiple material finish options. Finish options are separated by a vertical ruled line. Lead/Ball Finish values may wrap to two lines if the finish value exceeds the maximum column width.

Important Information and Disclaimer: The information provided on this page represents TI's knowledge and belief as of the date that it is provided. TI bases its knowledge and belief on information provided by third parties, and makes no representation or warranty as to the accuracy of such information. Efforts are underway to better integrate information from third parties. TI has taken and continues to take reasonable steps to provide representative and accurate information but may not have conducted destructive testing or chemical analysis on incoming materials and chemicals. TI and TI suppliers consider certain information to be proprietary, and thus CAS numbers and other limited information may not be available for release.

In no event shall TI's liability arising out of such information exceed the total purchase price of the TI part(s) at issue in this document sold by TI to Customer on an annual basis.

TAPE AND REEL INFORMATION

QUADRANT ASSIGNMENTS FOR PIN 1 ORIENTATION IN TAPE


*All dimensions are nominal

Device	Package Type	Package Drawing	Pins	SPQ	Reel Diameter (mm)	Reel Width W1 (mm)	A0 (mm)	B0 (mm)	K0 (mm)	P1 (mm)	W (mm)	Pin1 Quadrant
TRF1122IRTMR	VQFN	RTM	32	2500	330.0	12.4	5.3	5.3	1.5	8.0	12.0	Q2
TRF1122IRTMT	VQFN	RTM	32	250	180.0	12.4	5.3	5.3	1.5	8.0	12.0	Q2

TAPE AND REEL BOX DIMENSIONS


*All dimensions are nominal

Device	Package Type	Package Drawing	Pins	SPQ	Length (mm)	Width (mm)	Height (mm)
TRF1122IRTMR	VQFN	RTM	32	2500	338.1	338.1	20.6
TRF1122IRTMT	VQFN	RTM	32	250	210.0	185.0	35.0

IMPORTANT NOTICE

Texas Instruments Incorporated and its subsidiaries (TI) reserve the right to make corrections, enhancements, improvements and other changes to its semiconductor products and services per JESD46, latest issue, and to discontinue any product or service per JESD48, latest issue. Buyers should obtain the latest relevant information before placing orders and should verify that such information is current and complete. All semiconductor products (also referred to herein as "components") are sold subject to TI's terms and conditions of sale supplied at the time of order acknowledgment.

TI warrants performance of its components to the specifications applicable at the time of sale, in accordance with the warranty in TI's terms and conditions of sale of semiconductor products. Testing and other quality control techniques are used to the extent TI deems necessary to support this warranty. Except where mandated by applicable law, testing of all parameters of each component is not necessarily performed.

TI assumes no liability for applications assistance or the design of Buyers' products. Buyers are responsible for their products and applications using TI components. To minimize the risks associated with Buyers' products and applications, Buyers should provide adequate design and operating safeguards.

TI does not warrant or represent that any license, either express or implied, is granted under any patent right, copyright, mask work right, or other intellectual property right relating to any combination, machine, or process in which TI components or services are used. Information published by TI regarding third-party products or services does not constitute a license to use such products or services or a warranty or endorsement thereof. Use of such information may require a license from a third party under the patents or other intellectual property of the third party, or a license from TI under the patents or other intellectual property of TI.

Reproduction of significant portions of TI information in TI data books or data sheets is permissible only if reproduction is without alteration and is accompanied by all associated warranties, conditions, limitations, and notices. TI is not responsible or liable for such altered documentation. Information of third parties may be subject to additional restrictions.

Resale of TI components or services with statements different from or beyond the parameters stated by TI for that component or service voids all express and any implied warranties for the associated TI component or service and is an unfair and deceptive business practice. TI is not responsible or liable for any such statements.

Buyer acknowledges and agrees that it is solely responsible for compliance with all legal, regulatory and safety-related requirements concerning its products, and any use of TI components in its applications, notwithstanding any applications-related information or support that may be provided by TI. Buyer represents and agrees that it has all the necessary expertise to create and implement safeguards which anticipate dangerous consequences of failures, monitor failures and their consequences, lessen the likelihood of failures that might cause harm and take appropriate remedial actions. Buyer will fully indemnify TI and its representatives against any damages arising out of the use of any TI components in safety-critical applications.

In some cases, TI components may be promoted specifically to facilitate safety-related applications. With such components, TI's goal is to help enable customers to design and create their own end-product solutions that meet applicable functional safety standards and requirements. Nonetheless, such components are subject to these terms.

No TI components are authorized for use in FDA Class III (or similar life-critical medical equipment) unless authorized officers of the parties have executed a special agreement specifically governing such use.

Only those TI components which TI has specifically designated as military grade or "enhanced plastic" are designed and intended for use in military/aerospace applications or environments. Buyer acknowledges and agrees that any military or aerospace use of TI components which have **not** been so designated is solely at the Buyer's risk, and that Buyer is solely responsible for compliance with all legal and regulatory requirements in connection with such use.

TI has specifically designated certain components as meeting ISO/TS16949 requirements, mainly for automotive use. In any case of use of non-designated products, TI will not be responsible for any failure to meet ISO/TS16949.

Products

Audio	www.ti.com/audio
Amplifiers	amplifier.ti.com
Data Converters	dataconverter.ti.com
DLP® Products	www.dlp.com
DSP	dsp.ti.com
Clocks and Timers	www.ti.com/clocks
Interface	interface.ti.com
Logic	logic.ti.com
Power Mgmt	power.ti.com
Microcontrollers	microcontroller.ti.com
RFID	www.ti-rfid.com
OMAP Applications Processors	www.ti.com/omap
Wireless Connectivity	www.ti.com/wirelessconnectivity

Applications

Automotive and Transportation	www.ti.com/automotive
Communications and Telecom	www.ti.com/communications
Computers and Peripherals	www.ti.com/computers
Consumer Electronics	www.ti.com/consumer-apps
Energy and Lighting	www.ti.com/energy
Industrial	www.ti.com/industrial
Medical	www.ti.com/medical
Security	www.ti.com/security
Space, Avionics and Defense	www.ti.com/space-avionics-defense
Video and Imaging	www.ti.com/video

TI E2E Community

e2e.ti.com