

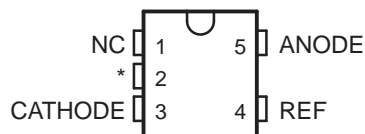
## LOW-VOLTAGE ADJUSTABLE PRECISION SHUNT REGULATORS

 Check for Samples: [TLVH431](#) [TLVH431A](#) [TLVH431B](#) [TLVH432](#) [TLVH432A](#) [TLVH432B](#)

### FEATURES

- Low-Voltage Operation: Down to 1.24 V
- Reference Voltage Tolerances at 25°C
  - 0.5% for B Grade
  - 1% for A Grade
  - 1.5% for Standard Grade
- Adjustable Output Voltage,  $V_O = V_{REF}$  to 18 V
- Wide Operating Cathode Current Range: 100  $\mu$ A to 70 mA
- 0.25- $\Omega$  Typical Output Impedance
- –40°C to 125°C Specifications
- TLVH432 Provides Alternative Pinouts for SOT-23-3 and SOT-89 Packages
- Ultra-Small SC-70 Package Offers 40% Smaller Footprint Than SOT-23-3
- ESD Performance Tested Per JESD 22
  - 2500-V Human-Body Model (A114-B, Class II)
  - 1000-V Charged-Device Model (C101)

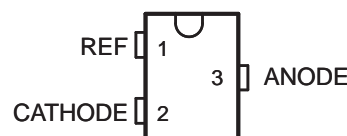
TLVH431  
DBV (SOT-23-5) PACKAGE  
(TOP VIEW)



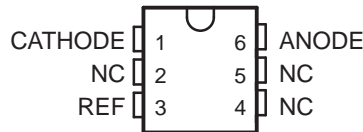
NC – No internal connection

\* Pin 2 is attached to Substrate and must be connected to ANODE or left open.

TLVH431  
DBZ (SOT-23-3) PACKAGE  
(TOP VIEW)

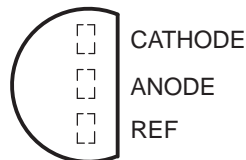


TLVH431  
DCK (SC-70) PACKAGE  
(TOP VIEW)

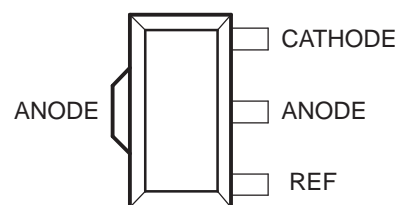


NC – No internal connection

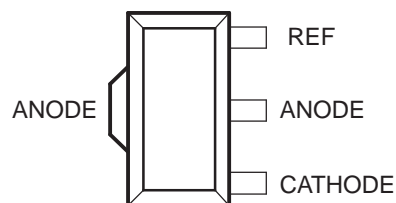
TLVH431  
LP (TO-92/TO-226) PACKAGE  
(TOP VIEW)



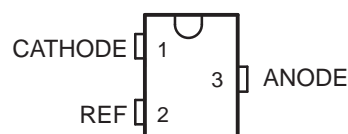
TLVH431  
PK (SOT-89) PACKAGE  
(TOP VIEW)



TLVH432  
PK (SOT-89) PACKAGE  
(TOP VIEW)



TLVH432  
DBZ (SOT-23-3) PACKAGE  
(TOP VIEW)



Please be aware that an important notice concerning availability, standard warranty, and use in critical applications of Texas Instruments semiconductor products and disclaimers thereto appears at the end of this data sheet.

## DESCRIPTION/ORDERING INFORMATION

The TLVH431 and TLVH432 are low-voltage 3-terminal adjustable voltage references, with specified thermal stability over applicable industrial and commercial temperature ranges. Output voltage can be set to any value between  $V_{REF}$  (1.24 V) and 18 V with two external resistors (see [Figure 2](#)). These devices operate from a lower voltage (1.24 V) than the widely used TL431 and TL1431 shunt-regulator references.

When used with an optocoupler, the TLVH431 and TLVH432 are ideal voltage references in isolated feedback circuits for 3-V to 3.3-V switching-mode power supplies. They have a typical output impedance of 0.25  $\Omega$ . Active output circuitry provides a very sharp turn-on characteristic, making the TLVH431 and TLVH432 excellent replacements for low-voltage Zener diodes in many applications, including on-board regulation and adjustable power supplies.

The TLVH432 is identical to the TLVH431, but is offered with different pinouts for the SOT-23-3 and SOT-89 packages.

**Table 1. ORDERING INFORMATION <sup>(1)</sup>**

| $T_A$       | $V_{REF}$<br>TOLERANCE | PACKAGE <sup>(2)</sup> |              | ORDERABLE PART NUMBER | TOP-SIDE MARKING <sup>(3)</sup> |
|-------------|------------------------|------------------------|--------------|-----------------------|---------------------------------|
| 0°C to 70°C | 0.5%                   | SC-70 – DCK            | Reel of 3000 | TLVH431BCDCKR         | YH_                             |
|             |                        |                        | Reel of 250  | TLVH431BCDCKT         |                                 |
|             |                        | SOT-23-5 – DBV         | Reel of 3000 | TLVH431BCDBVR         | Y3J_                            |
|             |                        |                        | Reel of 250  | TLVH431BCDBVT         |                                 |
|             |                        | SOT-23-3 – DBZ         | Reel of 3000 | TLVH431BCDBZR         | Y3J_                            |
|             |                        |                        |              | TLVH432BCDBZR         | Y2H_                            |
|             |                        |                        | Reel of 250  | TLVH431BCDBZT         | Y3J_                            |
|             |                        |                        |              | TLVH432BCDBZT         | Y2H_                            |
|             |                        | SOT-89 – PK            | Reel of 1000 | TLVH431BCPK           | V7                              |
|             |                        |                        |              | TLVH432BCPK           | VN                              |
|             |                        | TO-92 – LP             | Bulk of 1000 | TLVH431BCLP           | ZA431B                          |
|             |                        |                        | Reel of 2000 | TLVH431BCLPR          |                                 |
|             | 1%                     | SC-70 – DCK            | Reel of 3000 | TLVH431ACDCKR         | YP_                             |
|             |                        |                        | Reel of 250  | TLVH431ACDCKT         |                                 |
|             |                        | SOT-23-5 – DBV         | Reel of 3000 | TLVH431ACDBVR         | Y3P_                            |
|             |                        |                        | Reel of 250  | TLVH431ACDBVT         |                                 |
|             |                        | SOT-23-3 – DBZ         | Reel of 3000 | TLVH431ACDBZR         | Y3P_                            |
|             |                        |                        |              | TLVH432ACDBZR         | Y2E_                            |
|             |                        |                        | Reel of 250  | TLVH431ACDBZT         | Y3P_                            |
|             |                        |                        |              | TLVH432ACDBZT         | Y2E_                            |
|             |                        | SOT-89 – PK            | Reel of 1000 | TLVH431ACPK           | W2                              |
|             |                        |                        |              | TLVH432ACPK           | VK                              |
|             |                        | TO-92 – LP             | Bulk of 1000 | TLVH431ACL            | ZA431A                          |
|             |                        |                        | Reel of 2000 | TLVH431ACLPR          |                                 |
|             | 1.5%                   | SC-70 – DCK            | Reel of 3000 | TLVH431CDCKR          | YU_                             |
|             |                        |                        | Reel of 250  | TLVH431CDCKT          |                                 |
|             |                        | SOT-23-5 – DBV         | Reel of 3000 | TLVH431CDBVR          | Y3U_                            |
|             |                        |                        | Reel of 250  | TLVH431CDBVT          |                                 |
|             |                        | SOT-23-3 – DBZ         | Reel of 3000 | TLVH431CDBZR          | Y3U_                            |
|             |                        |                        |              | TLVH432CDBZR          | Y2A_                            |
| Reel of 250 |                        |                        | TLVH431CDBZT | Y3U_                  |                                 |
|             |                        |                        | TLVH432CDBZT | Y2A_                  |                                 |
| SOT-89 – PK |                        | Reel of 1000           | TLVH431CPK   | W4                    |                                 |
|             |                        |                        | TLVH432CPK   | VG                    |                                 |
| TO-92 – LP  |                        | Bulk of 1000           | TLVH431CLP   | ZA431                 |                                 |
|             |                        | Reel of 2000           | TLVH431CLPR  |                       |                                 |

(1) For the most current package and ordering information, see the Package Option Addendum at the end of this document, or see the TI web site at [www.ti.com](http://www.ti.com).

(2) Package drawings, thermal data, and symbolization are available at [www.ti.com/packaging](http://www.ti.com/packaging).

(3) DBV/DCK: The actual top-side marking has one additional character that designates the wafer fab/assembly site.

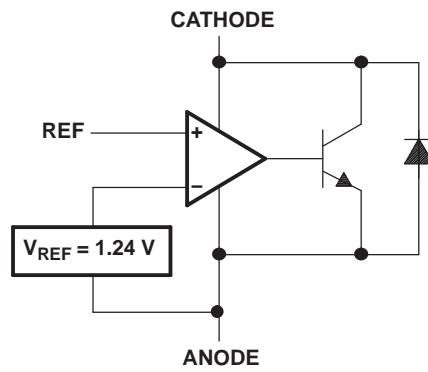
**Table 1. ORDERING INFORMATION <sup>(1)</sup> (continued)**

| T <sub>A</sub> | V <sub>REF</sub><br>TOLERANCE | PACKAGE <sup>(2)</sup> |              | ORDERABLE PART NUMBER | TOP-SIDE MARKING <sup>(3)</sup> |
|----------------|-------------------------------|------------------------|--------------|-----------------------|---------------------------------|
| -40°C to 85°C  | 0.5%                          | SC-70 – DCK            | Reel of 3000 | TLVH431BIDCKR         | YJ_                             |
|                |                               |                        | Reel of 250  | TLVH431BIDCKT         |                                 |
|                |                               | SOT-23-5 – DBV         | Reel of 3000 | TLVH431BIDBVR         | Y3K_                            |
|                |                               |                        | Reel of 250  | TLVH431BIDBVT         |                                 |
|                |                               | SOT-23-3 – DBZ         | Reel of 3000 | TLVH431BIDBZR         | Y3K_                            |
|                |                               |                        |              | TLVH432BIDBZR         | Y2J_                            |
|                |                               |                        | Reel of 250  | TLVH431BIDBZT         | Y3K_                            |
|                |                               |                        |              | TLVH432BIDBZT         | Y2J_                            |
|                |                               | SOT-89 – PK            | Reel of 1000 | TLVH431BIPK           | V8                              |
|                |                               |                        |              | TLVH432BIPK           | VP                              |
|                |                               | TO-92 – LP             | Bulk of 1000 | TLVH431BILP           | ZB431B                          |
|                |                               |                        | Reel of 2000 | TLVH431BILPR          |                                 |
|                | 1%                            | SC-70 – DCK            | Reel of 3000 | TLVH431AIDCKR         | YT_                             |
|                |                               |                        | Reel of 250  | TLVH431AIDCKT         |                                 |
|                |                               | SOT-23-5 – DBV         | Reel of 3000 | TLVH431AIDBVR         | Y3T_                            |
|                |                               |                        | Reel of 250  | TLVH431AIDBVT         |                                 |
|                |                               | SOT-23-3 – DBZ         | Reel of 3000 | TLVH431AIDBZR         | Y3T_                            |
|                |                               |                        |              | TLVH432AIDBZR         | Y2F_                            |
|                |                               |                        | Reel of 250  | TLVH431AIDBZT         | Y3T_                            |
|                |                               |                        |              | TLVH432AIDBZT         | Y2F_                            |
|                |                               | SOT-89 – PK            | Reel of 1000 | TLVH431AIPK           | W3                              |
|                |                               |                        |              | TLVH432AIPK           | VL                              |
|                |                               | TO-92 – LP             | Bulk of 1000 | TLVH431AILP           | ZB431A                          |
|                |                               |                        | Reel of 2000 | TLVH431AILPR          |                                 |
|                | 1.5%                          | SC-70 – DCK            | Reel of 3000 | TLVH431IDCKR          | YV_                             |
|                |                               |                        | Reel of 250  | TLVH431IDCKT          |                                 |
|                |                               | SOT-23-5 – DBV         | Reel of 3000 | TLVH431IDBVR          | Y3V_                            |
|                |                               |                        | Reel of 250  | TLVH431IDBVT          |                                 |
|                |                               | SOT-23-3 – DBZ         | Reel of 3000 | TLVH431IDBZR          | Y3V_                            |
|                |                               |                        |              | TLVH432IDBZR          | Y2B_                            |
| Reel of 250    |                               |                        | TLVH431IDBZT | Y3V_                  |                                 |
|                |                               |                        | TLVH432IDBZT | Y2B_                  |                                 |
| SOT-89 – PK    |                               | Reel of 1000           | TLVH431IPK   | W5                    |                                 |
|                |                               |                        | TLVH432IPK   | VH                    |                                 |
| TO-92 – LP     |                               | Bulk of 1000           | TLVH431ILP   | ZB431                 |                                 |
|                |                               | Reel of 2000           | TLVH431ILPR  |                       |                                 |

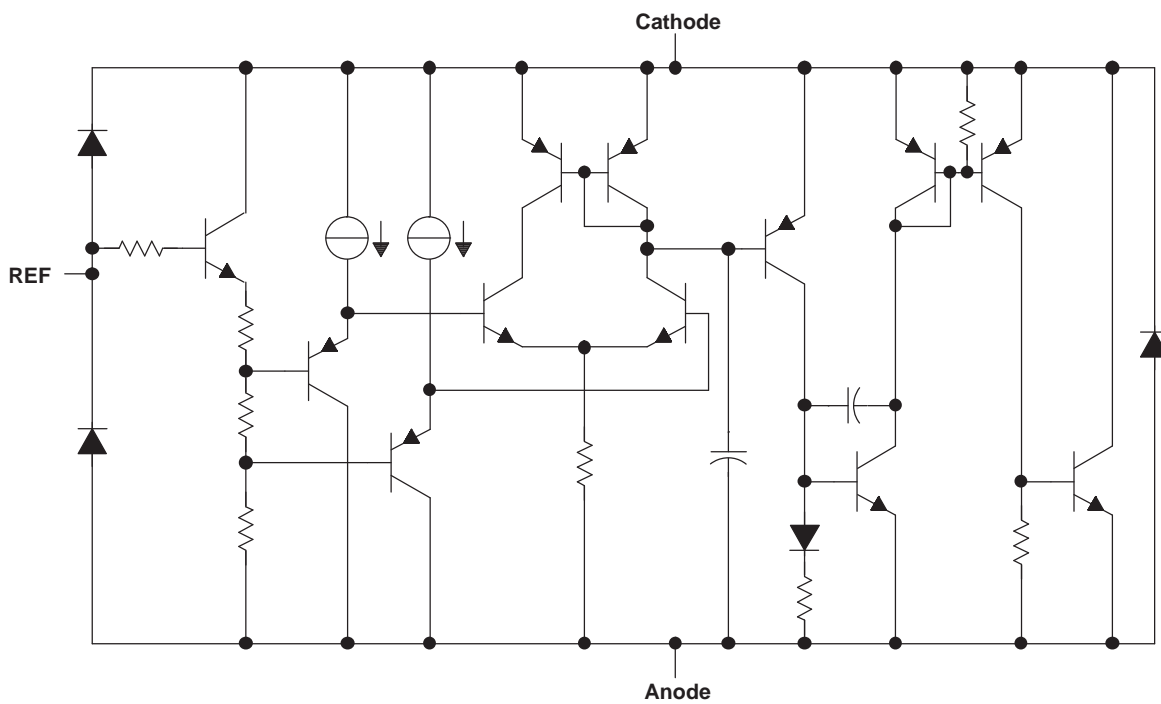
**Table 1. ORDERING INFORMATION <sup>(1)</sup> (continued)**

| $T_A$          | $V_{REF}$<br>TOLERANCE | PACKAGE <sup>(2)</sup> | ORDERABLE PART NUMBER | TOP-SIDE MARKING <sup>(3)</sup> |        |
|----------------|------------------------|------------------------|-----------------------|---------------------------------|--------|
| -40°C to 125°C | 0.5%                   | SC-70 – DCK            | Reel of 3000          | TLVH431BQDCKR                   | YK_    |
|                |                        |                        | Reel of 250           | TLVH431BQDCKT                   |        |
|                |                        | SOT-23-5 – DBV         | Reel of 3000          | TLVH431BQDBVR                   | Y3L_   |
|                |                        |                        | Reel of 250           | TLVH431BQDBVT                   |        |
|                |                        | SOT-23-3 – DBZ         | Reel of 3000          | TLVH431BQDBZR                   | Y3L_   |
|                |                        |                        |                       | TLVH432BQDBZR                   | Y2K_   |
|                |                        |                        | Reel of 250           | TLVH431BQDBZT                   | Y3L_   |
|                |                        |                        |                       | TLVH432BQDBZT                   | Y2K_   |
|                |                        | SOT-89 – PK            | Reel of 1000          | TLVH431BQPK                     | V9     |
|                |                        |                        |                       | TLVH432BQPK                     | VQ     |
|                |                        | TO-92 – LP             | Bulk of 1000          | TLVH431BQLP                     | ZD431B |
|                |                        |                        | Reel of 2000          | TLVH431BQLPR                    |        |
|                | 1%                     | SC-70 – DCK            | Reel of 3000          | TLVH431AQDCKR                   | YN_    |
|                |                        |                        | Reel of 250           | TLVH431AQDCKT                   |        |
|                |                        | SOT-23-5 – DBV         | Reel of 3000          | TLVH431AQDBVR                   | Y3N_   |
|                |                        |                        | Reel of 250           | TLVH431AQDBVT                   |        |
|                |                        | SOT-23-3 – DBZ         | Reel of 3000          | TLVH431AQDBZR                   | Y3N_   |
|                |                        |                        |                       | TLVH432AQDBZR                   | Y2G_   |
|                |                        |                        | Reel of 250           | TLVH431AQDBZT                   | Y3N_   |
|                |                        |                        |                       | TLVH432AQDBZT                   | Y2G_   |
|                |                        | SOT-89 – PK            | Reel of 1000          | TLVH431AQPK                     | VD     |
|                |                        |                        |                       | TLVH432AQPK                     | VM     |
|                |                        | TO-92 – LP             | Bulk of 1000          | TLVH431AQLP                     | ZD431A |
|                |                        |                        | Reel of 2000          | TLVH431AQLPR                    |        |
|                | 1.5%                   | SC-70 – DCK            | Reel of 3000          | TLVH431QDCKR                    | YM_    |
|                |                        |                        | Reel of 250           | TLVH431QDCKT                    |        |
|                |                        | SOT-23-5 – DBV         | Reel of 3000          | TLVH431QDBVR                    | Y3M_   |
|                |                        |                        | Reel of 250           | TLVH431QDBVT                    |        |
|                |                        | SOT-23-3 – DBZ         | Reel of 3000          | TLVH431QDBZR                    | Y3M_   |
|                |                        |                        |                       | TLVH432QDBZR                    | Y2D_   |
| Reel of 250    |                        |                        | TLVH431QDBZT          | Y3M_                            |        |
|                |                        |                        | TLVH432QDBZT          | Y2D_                            |        |
| SOT-89 – PK    |                        | Reel of 1000           | TLVH431QPK            | VC                              |        |
|                |                        |                        | TLVH432QPK            | VJ                              |        |
| TO-92 – LP     |                        | Bulk of 1000           | TLVH431QLP            | ZD431                           |        |
|                |                        | Reel of 2000           | TLVH431QLPR           |                                 |        |

**LOGIC BLOCK DIAGRAM**



**EQUIVALENT SCHEMATIC**



## ABSOLUTE MAXIMUM RATINGS<sup>(1)</sup>

over operating free-air temperature range (unless otherwise noted)

|               |  | MIN         | MAX | UNIT |
|---------------|--|-------------|-----|------|
| $V_{KA}$      | Cathode voltage <sup>(2)</sup>               |             | 20  | V    |
| $I_K$         | Cathode current range                        | -25         | 80  | mA   |
| $I_{ref}$     | Reference current range                      | -0.05       | 3   | mA   |
| $\theta_{JA}$ | Package thermal impedance <sup>(3) (4)</sup> | DBV package | 206 | °C/W |
|               |  | DBZ package | 206 |      |
|               |  | DCK package | 252 |      |
|               |  | LP package  | 140 |      |
|               |  | PK package  | 52  |      |
| $T_J$         | Operating virtual junction temperature       |             | 150 | °C   |
| $T_{stg}$     | Storage temperature range                    | -65         | 150 | °C   |

- (1) Stresses beyond those listed under "absolute maximum ratings" may cause permanent damage to the device. These are stress ratings only, and functional operation of the device at these or any other conditions beyond those indicated under "recommended operating conditions" is not implied. Exposure to absolute-maximum-rated conditions for extended periods may affect device reliability.
- (2) Voltage values are with respect to the anode terminal, unless otherwise noted.
- (3) Maximum power dissipation is a function of  $T_J(\max)$ ,  $\theta_{JA}$ , and  $T_A$ . The maximum allowable power dissipation at any allowable ambient temperature is  $P_D = (T_J(\max) - T_A)/\theta_{JA}$ . Operating at the absolute maximum  $T_J$  of 150°C can affect reliability.
- (4) The package thermal impedance is calculated in accordance with JESD 51-7.

## RECOMMENDED OPERATING CONDITIONS

|          |                                | MIN       | MAX | UNIT |
|----------|--------------------------------|-----------|-----|------|
| $V_{KA}$ | Cathode voltage                | $V_{REF}$ | 18  | V    |
| $I_K$    | Cathode current (continuous)   | 0.1       | 70  | mA   |
| $T_A$    | Operating free-air temperature | TLVH43x_C | 0   | 70   |
|          |                                | TLVH43x_I | -40 | 85   |
|          |                                | TLVH43x_Q | -40 | 125  |

## TLVH43x ELECTRICAL CHARACTERISTICS

at 25°C free-air temperature (unless otherwise noted)

| PARAMETER   | TEST CONDITIONS   |   | TLVH431<br>TLVH432 |       |       | UNIT |
|---|---|---|--------------------|-------|-------|------|
|   |   |   | MIN                | TYP   | MAX   |      |
| V <sub>REF</sub><br>Reference voltage   | V <sub>KA</sub> = V <sub>REF</sub> ,<br>I <sub>K</sub> = 10 mA                                    | T <sub>A</sub> = 25°C                                       | 1.222              | 1.24  | 1.258 | V    |
|   |   | T <sub>A</sub> = full range,<br>See Figure 1 <sup>(1)</sup> | TLVH431C           | 1.21  | 1.27  |      |
|   |   |   | TLVH431I           | 1.202 | 1.278 |      |
| V <sub>REF(dev)</sub><br>V <sub>REF</sub> deviation over full<br>temperature range <sup>(2)</sup>       | V <sub>KA</sub> = V <sub>REF</sub> , I <sub>K</sub> = 10 mA, See Figure 1 <sup>(1)</sup>          | TLVH431C  |                    | 4     | 12    | mV   |
|   |   | TLVH431I  |                    | 6     | 20    |      |
|   |   | TLVH431Q  |                    | 11    | 31    |      |
| $\frac{\Delta V_{REF}}{\Delta V_{KA}}$<br>Ratio of V <sub>REF</sub> change to<br>cathode voltage change | I <sub>K</sub> = 10 mA, V <sub>K</sub> = V <sub>REF</sub> to 18 V, See Figure 2                   |   |                    | -1.5  | -2.7  | mV/V |
| I <sub>ref</sub><br>Reference terminal current  | I <sub>K</sub> = 10 mA, R1 = 10 kΩ, R2 = open, See Figure 2                                       |   |                    | 0.1   | 0.5   | μA   |
| I <sub>ref(dev)</sub><br>I <sub>ref</sub> deviation over full<br>temperature range <sup>(2)</sup>       | I <sub>K</sub> = 10 mA, R1 = 10 kΩ, R2 = open,<br>See Figure 2 <sup>(1)</sup>                     | TLVH431C  |                    | 0.05  | 0.3   | μA   |
|   |   | TLVH431I  |                    | 0.1   | 0.4   |      |
|   |   | TLVH431Q  |                    | 0.15  | 0.5   |      |
| I <sub>K(min)</sub><br>Minimum cathode current<br>for regulation  | V <sub>KA</sub> = V <sub>REF</sub> , See Figure 1   |   |                    | 60    | 100   | μA   |
| I <sub>K(off)</sub><br>Off-state cathode current  | V <sub>REF</sub> = 0, V <sub>KA</sub> = 18 V, See Figure 3  |   |                    | 0.02  | 0.1   | μA   |
| z <sub>KA</sub>  <br>Dynamic impedance <sup>(3)</sup>   | V <sub>KA</sub> = V <sub>REF</sub> , f ≤ 1 kHz, I <sub>K</sub> = 0.1 mA to 70 mA,<br>See Figure 1 |   |                    | 0.25  | 0.4   | Ω    |

(1) Full temperature ranges are -40°C to 125°C for TLVH431Q, -40°C to 85°C for TLVH431I, and 0°C to 70°C for TLVH431C.

(2) The deviation parameters V<sub>REF(dev)</sub> and I<sub>ref(dev)</sub> are defined as the differences between the maximum and minimum values obtained over the rated temperature range. The average full-range temperature coefficient of the reference input voltage, αV<sub>REF</sub>, is defined as:

$$|\alpha V_{REF}| \left( \frac{\text{ppm}}{\text{°C}} \right) = \frac{\left( \frac{V_{REF(dev)}}{V_{REF}(T_A = 25\text{°C})} \right)}{\Delta T_A} \times 10^6$$

where ΔT<sub>A</sub> is the rated operating free-air temperature range of the device.

αV<sub>REF</sub> can be positive or negative, depending on whether minimum V<sub>REF</sub> or maximum V<sub>REF</sub>, respectively, occurs at the lower temperature.

(3) The dynamic impedance is defined as:

$$|z_{KA}| = \frac{\Delta V_{KA}}{\Delta I_K}$$

When the device is operating with two external resistors (see Figure 2), the total dynamic impedance of the circuit is defined as:

$$|z_{KA}| = \frac{\Delta V}{\Delta I} \approx |z_{KA}| \times \left( 1 + \frac{R1}{R2} \right)$$



## TLVH43xA ELECTRICAL CHARACTERISTICS

at 25°C free-air temperature (unless otherwise noted)

| PARAMETER   | TEST CONDITIONS   |   | TLVH431A<br>TLVH432A |       |       | UNIT |
|---|---|---|----------------------|-------|-------|------|
|   |   |   | MIN                  | TYP   | MAX   |      |
| V <sub>REF</sub><br>Reference voltage   | V <sub>KA</sub> = V <sub>REF</sub> ,<br>I <sub>K</sub> = 10 mA                                    | T <sub>A</sub> = 25°C                                       | 1.228                | 1.24  | 1.252 | V    |
|   |   | T <sub>A</sub> = full range,<br>See Figure 1 <sup>(1)</sup> | TLVH431AC            | 1.221 | 1.259 |      |
|   |   |   | TLVH431AI            | 1.215 | 1.265 |      |
| V <sub>REF(dev)</sub><br>V <sub>REF</sub> deviation over full<br>temperature range <sup>(2)</sup>       | V <sub>KA</sub> = V <sub>REF</sub> , I <sub>K</sub> = 10 mA, See Figure 1 <sup>(1)</sup>          | TLVH431AC   |                      | 4     | 12    | mV   |
|   |   | TLVH431AI   |                      | 6     | 20    |      |
|   |   | TLVH431AQ   |                      | 11    | 31    |      |
| $\frac{\Delta V_{REF}}{\Delta V_{KA}}$<br>Ratio of V <sub>REF</sub> change to<br>cathode voltage change | V <sub>K</sub> = V <sub>REF</sub> to 18 V, I <sub>K</sub> = 10 mA, See Figure 2                   |   |                      | -1.5  | -2.7  | mV/V |
| I <sub>ref</sub><br>Reference terminal current  | I <sub>K</sub> = 10 mA, R1 = 10 kΩ, R2 = open, See Figure 2                                       |   |                      | 0.1   | 0.5   | μA   |
| I <sub>ref(dev)</sub><br>I <sub>ref</sub> deviation over full<br>temperature range <sup>(2)</sup>       | I <sub>K</sub> = 10 mA, R1 = 10 kΩ, R2 = open,<br>See Figure 2 <sup>(1)</sup>                     | TLVH431AC   |                      | 0.05  | 0.3   | μA   |
|   |   | TLVH431AI   |                      | 0.1   | 0.4   |      |
|   |   | TLVH431AQ   |                      | 0.15  | 0.5   |      |
| I <sub>K(min)</sub><br>Minimum cathode current<br>for regulation  | V <sub>KA</sub> = V <sub>REF</sub> , See Figure 1   |   |                      | 60    | 100   | μA   |
| I <sub>K(off)</sub><br>Off-state cathode current  | V <sub>REF</sub> = 0, V <sub>KA</sub> = 18 V, See Figure 3  |   |                      | 0.02  | 0.1   | μA   |
| z <sub>KA</sub>  <br>Dynamic impedance <sup>(3)</sup>   | V <sub>KA</sub> = V <sub>REF</sub> , f ≤ 1 kHz, I <sub>K</sub> = 0.1 mA to 70 mA,<br>See Figure 1 |   |                      | 0.25  | 0.4   | Ω    |

(1) Full temperature ranges are -40°C to 125°C for TLVH431Q, -40°C to 85°C for TLVH431I, and 0°C to 70°C for TLVH431C.

(2) The deviation parameters V<sub>REF(dev)</sub> and I<sub>ref(dev)</sub> are defined as the differences between the maximum and minimum values obtained over the rated temperature range. The average full-range temperature coefficient of the reference input voltage, αV<sub>REF</sub>, is defined as:

$$|\alpha V_{REF}| \left( \frac{\text{ppm}}{\text{°C}} \right) = \frac{\left( \frac{V_{REF(dev)}}{V_{REF}(T_A = 25\text{°C})} \right)}{\Delta T_A} \times 10^6$$

where ΔT<sub>A</sub> is the rated operating free-air temperature range of the device.

αV<sub>REF</sub> can be positive or negative, depending on whether minimum V<sub>REF</sub> or maximum V<sub>REF</sub>, respectively, occurs at the lower temperature.

(3) The dynamic impedance is defined as:

$$|z_{KA}| = \frac{\Delta V_{KA}}{\Delta I_K}$$

When the device is operating with two external resistors (see Figure 2), the total dynamic impedance of the circuit is defined as:

$$|z_{KA}| = \frac{\Delta V}{\Delta I} \approx |z_{KA}| \times \left( 1 + \frac{R1}{R2} \right)$$

## TLVH43xB ELECTRICAL CHARACTERISTICS

at 25°C free-air temperature (unless otherwise noted)

| PARAMETER   | TEST CONDITIONS  |  | TLVH431B<br>TLVH432B |       |       | UNIT |
|---|--|--|----------------------|-------|-------|------|
|   |  |  | MIN                  | TYP   | MAX   |      |
| V <sub>REF</sub><br>Reference voltage   | V <sub>KA</sub> = V <sub>REF</sub> ,<br>I <sub>K</sub> = 10 mA                           | T <sub>A</sub> = 25°C  | 1.234                | 1.24  | 1.246 | V    |
|   |  | T <sub>A</sub> = full range,<br>See Figure 1 <sup>(1)</sup>                                    | TLVH431BC            | 1.227 | 1.253 |      |
|   |  |  | TLVH431BI            | 1.224 | 1.259 |      |
|   |  |  | TLVH431BQ            | 1.221 | 1.265 |      |
| V <sub>REF(dev)</sub><br>V <sub>REF</sub> deviation over full<br>temperature range <sup>(2)</sup> | V <sub>KA</sub> = V <sub>REF</sub> , I <sub>K</sub> = 10 mA, See Figure 1 <sup>(1)</sup> | TLVH431BC  | 4                    | 12    | mV    |      |
|   |  | TLVH431BI  | 6                    | 20    |       |      |
|   |  | TLVH431BQ  | 11                   | 31    |       |      |
| $\frac{\Delta V_{REF}}{\Delta V_{KA}}$  | Ratio of V <sub>REF</sub> change to<br>cathode voltage change                            | I <sub>K</sub> = 10 mA, V <sub>K</sub> = V <sub>REF</sub> to 18 V, See Figure 2                | -1.5                 | -2.7  | mV/V  |      |
| I <sub>ref</sub>  | Reference terminal current   | I <sub>K</sub> = 10 mA, R1 = 10 kΩ, R2 = open, See Figure 2                                    | 0.1                  | 0.5   | μA    |      |
| I <sub>ref(dev)</sub>   | I <sub>ref</sub> deviation over full<br>temperature range <sup>(2)</sup>                 | I <sub>K</sub> = 10 mA, R1 = 10 kΩ, R2 = open,<br>See Figure 2 <sup>(1)</sup>                  | TLVH431BC            | 0.05  | 0.3   | μA   |
|   |  |  | TLVH431BI            | 0.1   | 0.4   |      |
|   |  |  | TLVH431BQ            | 0.15  | 0.5   |      |
| I <sub>K(min)</sub>   | Minimum cathode current<br>for regulation  | V <sub>KA</sub> = V <sub>REF</sub> , See Figure 1  | 60                   | 100   | μA    |      |
| I <sub>K(off)</sub>   | Off-state cathode current  | V <sub>REF</sub> = 0, V <sub>KA</sub> = 18 V, See Figure 3                                     | 0.02                 | 0.1   | μA    |      |
| z <sub>KA</sub>   | Dynamic impedance <sup>(3)</sup>   | V <sub>KA</sub> = V <sub>REF</sub> , f ≤ 1 kHz, I <sub>K</sub> = 0.1 mA to 70 mA, See Figure 1 | 0.25                 | 0.4   | Ω     |      |

(1) Full temperature ranges are -40°C to 125°C for TLVH431Q, -40°C to 85°C for TLVH431I, and 0°C to 70°C for TLVH431C.

(2) The deviation parameters V<sub>REF(dev)</sub> and I<sub>ref(dev)</sub> are defined as the differences between the maximum and minimum values obtained over the rated temperature range. The average full-range temperature coefficient of the reference input voltage, αV<sub>REF</sub>, is defined as:

$$|\alpha V_{REF} \left( \frac{\text{ppm}}{\text{°C}} \right)| = \frac{\left( \frac{V_{REF(dev)}}{V_{REF}(T_A = 25\text{°C})} \right)}{\Delta T_A} \times 10^6$$

where ΔT<sub>A</sub> is the rated operating free-air temperature range of the device.

αV<sub>REF</sub> can be positive or negative, depending on whether minimum V<sub>REF</sub> or maximum V<sub>REF</sub>, respectively, occurs at the lower temperature.

(3) The dynamic impedance is defined as:

$$|z_{KA}| = \frac{\Delta V_{KA}}{\Delta I_K}$$

When the device is operating with two external resistors (see Figure 2), the total dynamic impedance of the circuit is defined as:

$$|z_{KA}| = \frac{\Delta V}{\Delta I} \approx |z_{KA}| \times \left( 1 + \frac{R1}{R2} \right)$$

PARAMETER MEASUREMENT INFORMATION

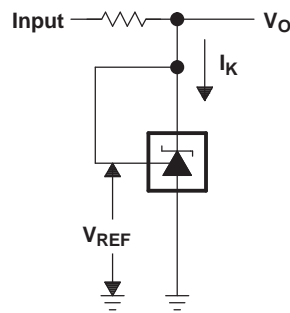


Figure 1. Test Circuit for  $V_{KA} = V_{REF}$ ,  $V_O = V_{KA} = V_{REF}$

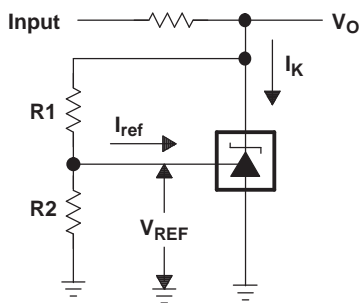


Figure 2. Test Circuit for  $V_{KA} > V_{REF}$ ,  $V_O = V_{KA} = V_{REF} \times (1 + R1/R2) + I_{ref} \times R1$

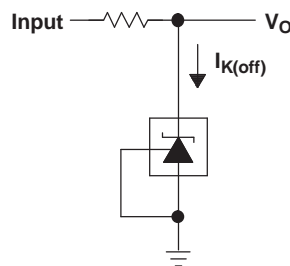


Figure 3. Test Circuit for  $I_{K(off)}$

PARAMETER MEASUREMENT INFORMATION (continued)

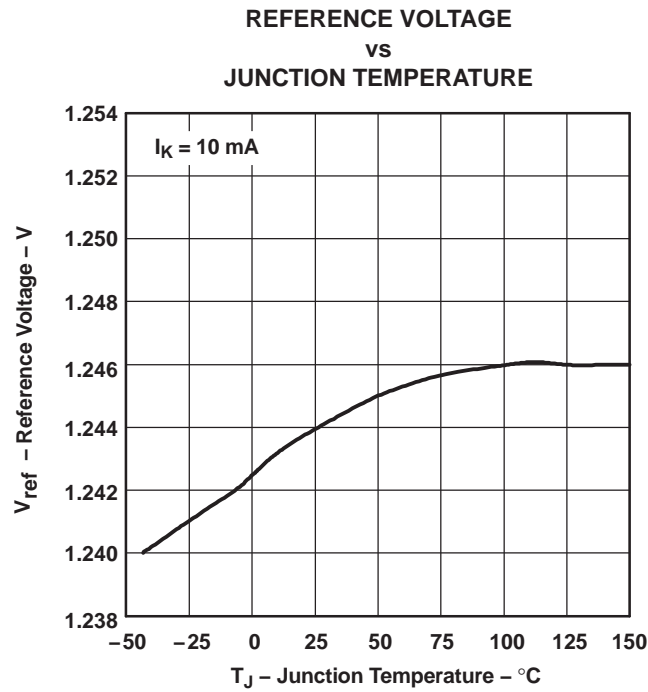


Figure 4.

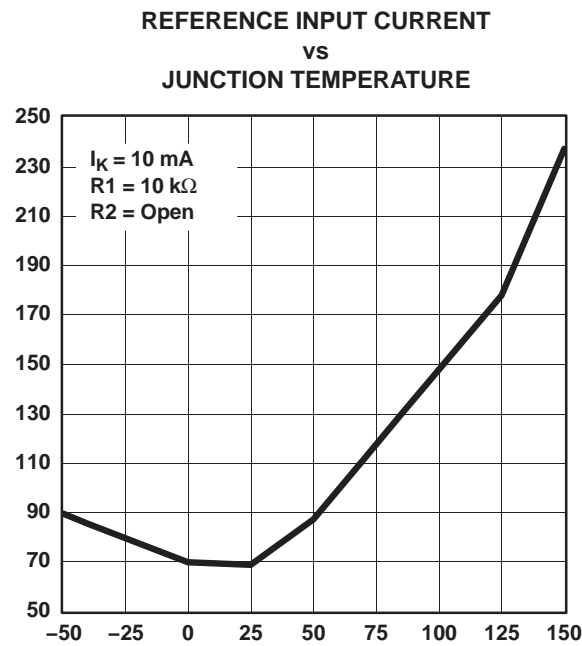
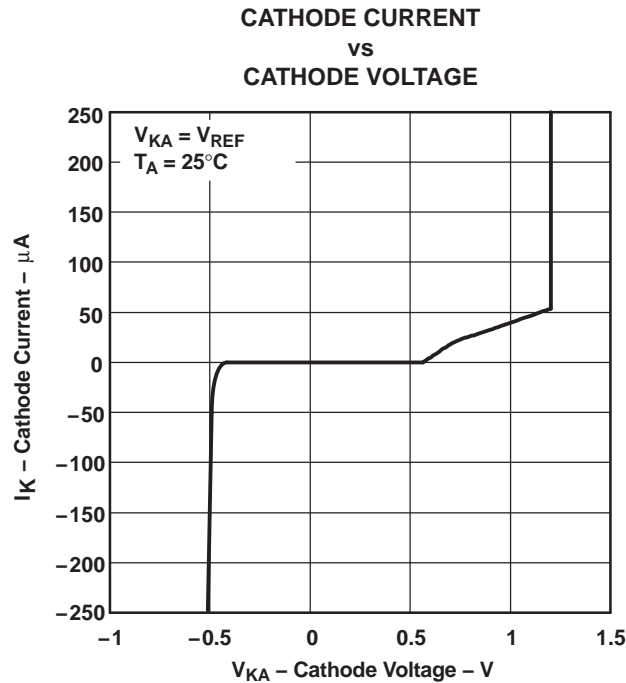
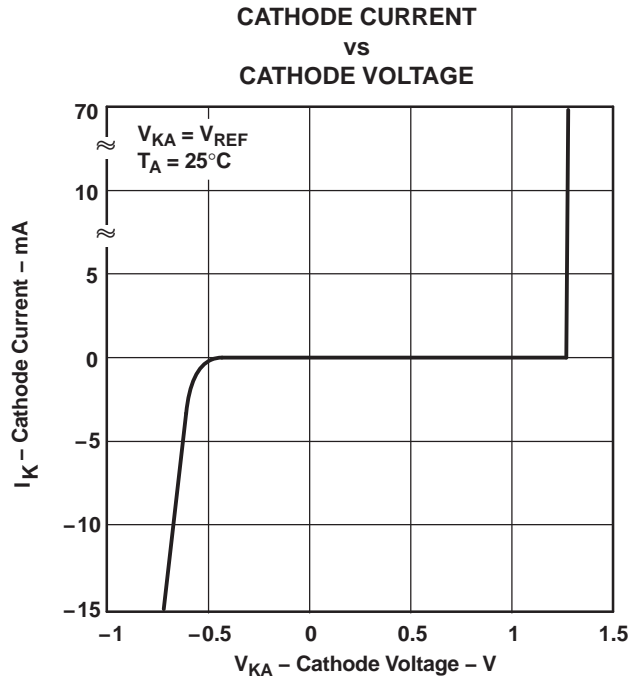


Figure 5.

PARAMETER MEASUREMENT INFORMATION (continued)



PARAMETER MEASUREMENT INFORMATION (continued)

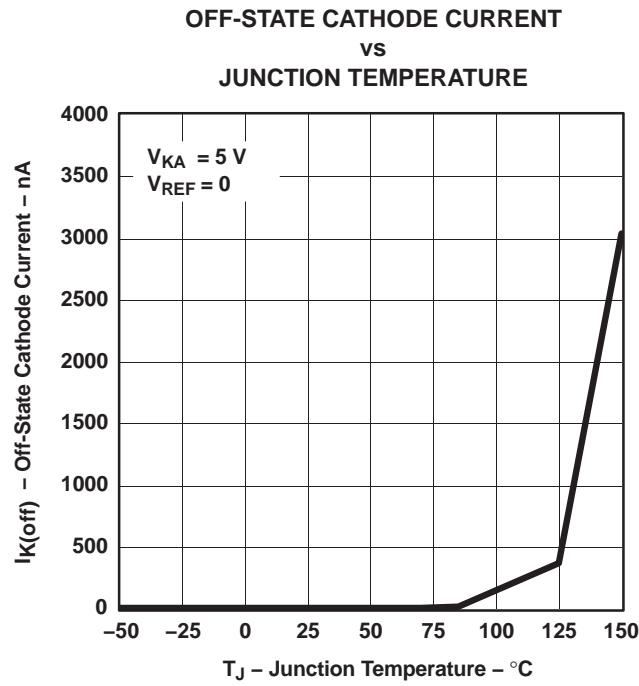
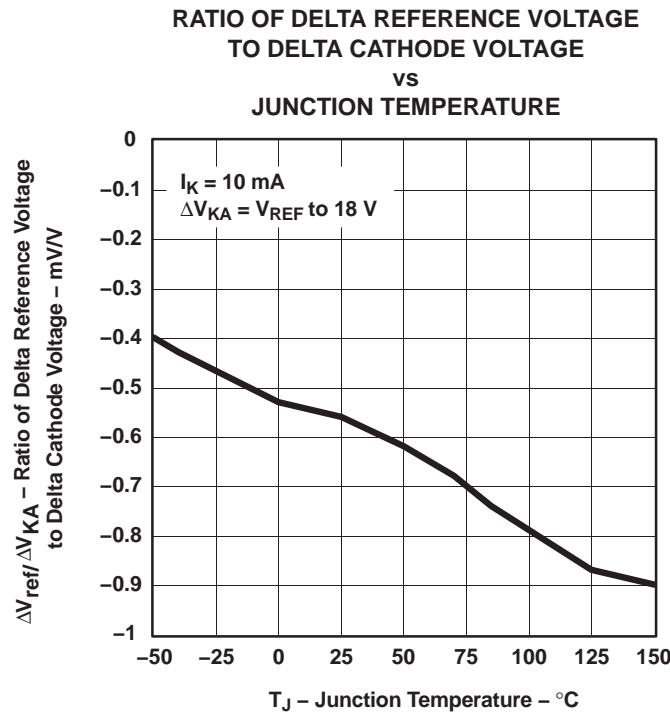


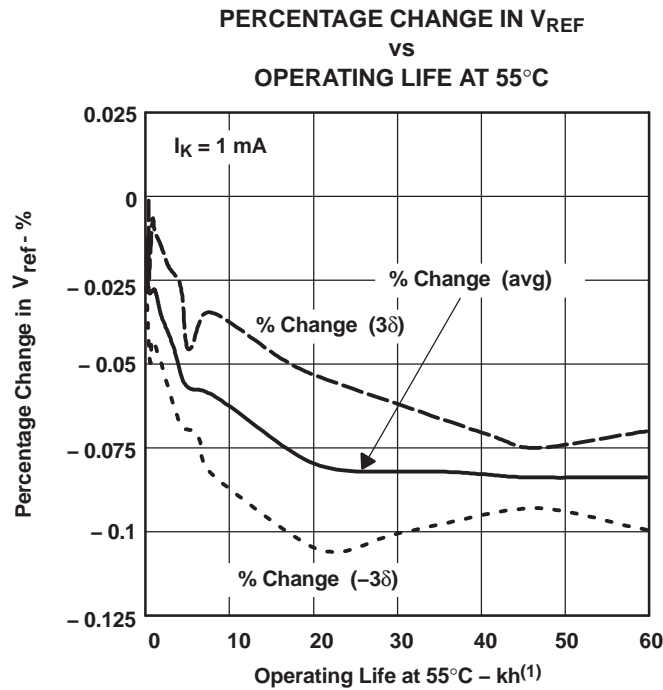
Figure 8.

**PARAMETER MEASUREMENT INFORMATION (continued)**

Operation of the device at these or any other conditions beyond those indicated under *recommended operating conditions* is not implied.



**Figure 9.**



(1) Extrapolated from life-test data taken at 125°C; the activation energy assumed is 0.7 eV.

**Figure 10.**

PARAMETER MEASUREMENT INFORMATION (continued)

EQUIVALENT INPUT NOISE VOLTAGE  
 VS  
 FREQUENCY

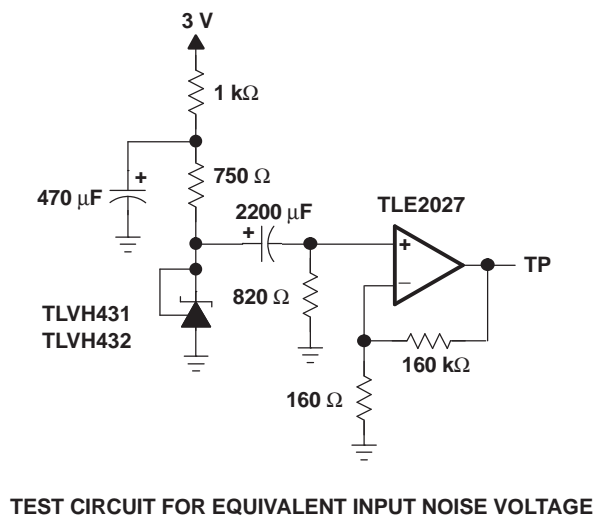
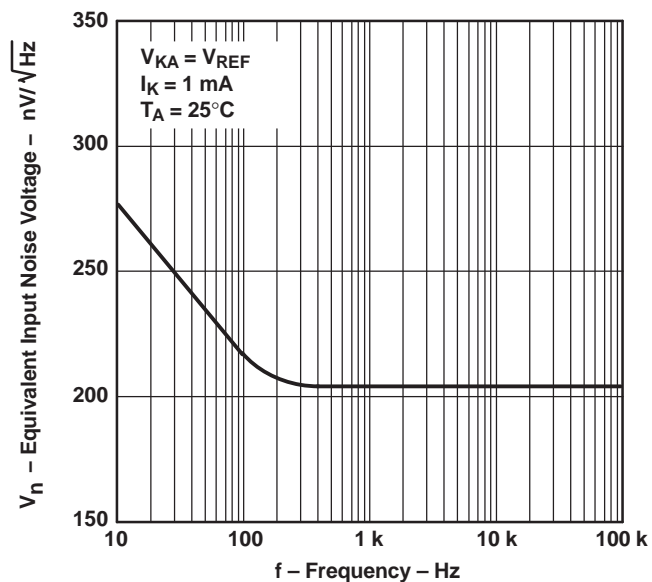
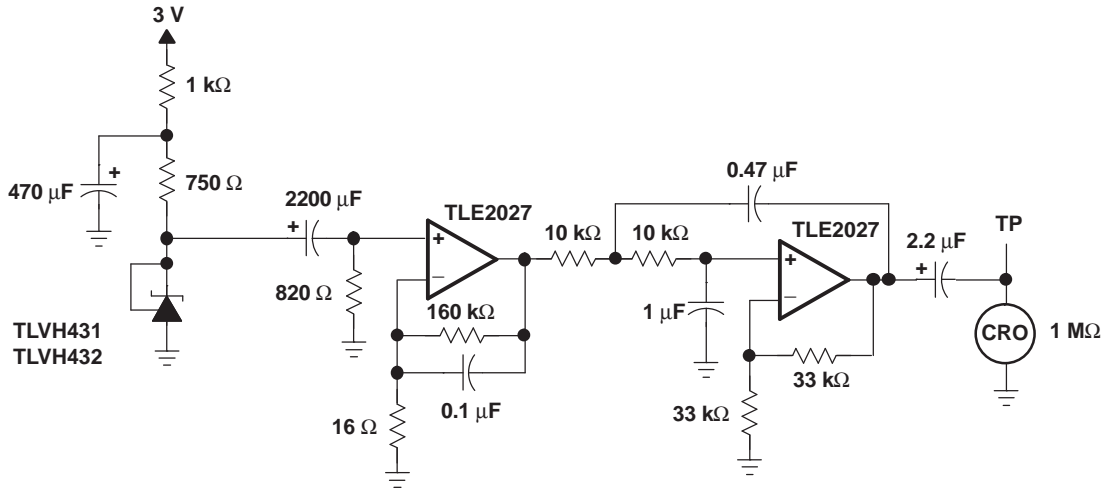
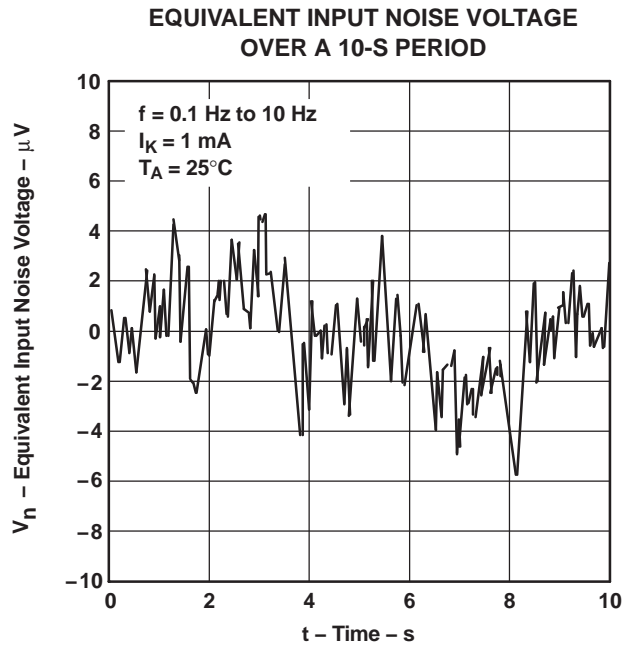


Figure 11.



PARAMETER MEASUREMENT INFORMATION (continued)



TEST CIRCUIT FOR 0.1-Hz TO 10-Hz EQUIVALENT NOISE VOLTAGE

Figure 12.

PARAMETER MEASUREMENT INFORMATION (continued)

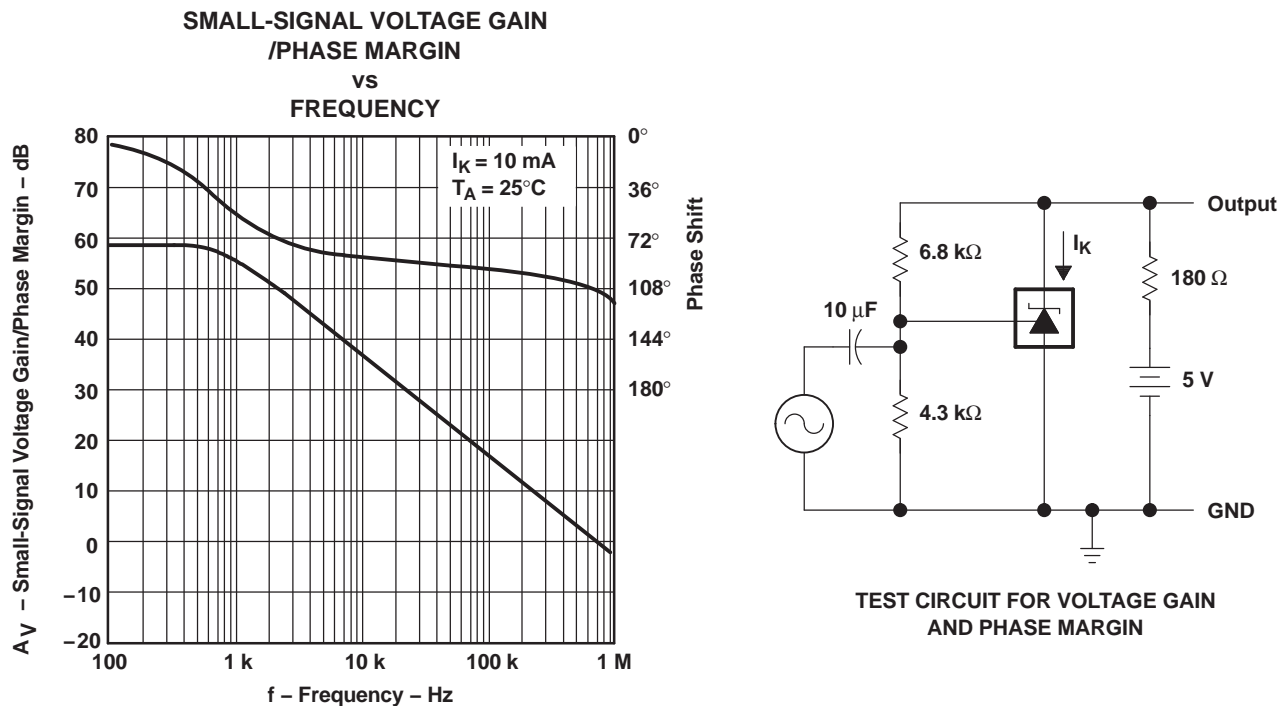


Figure 13.

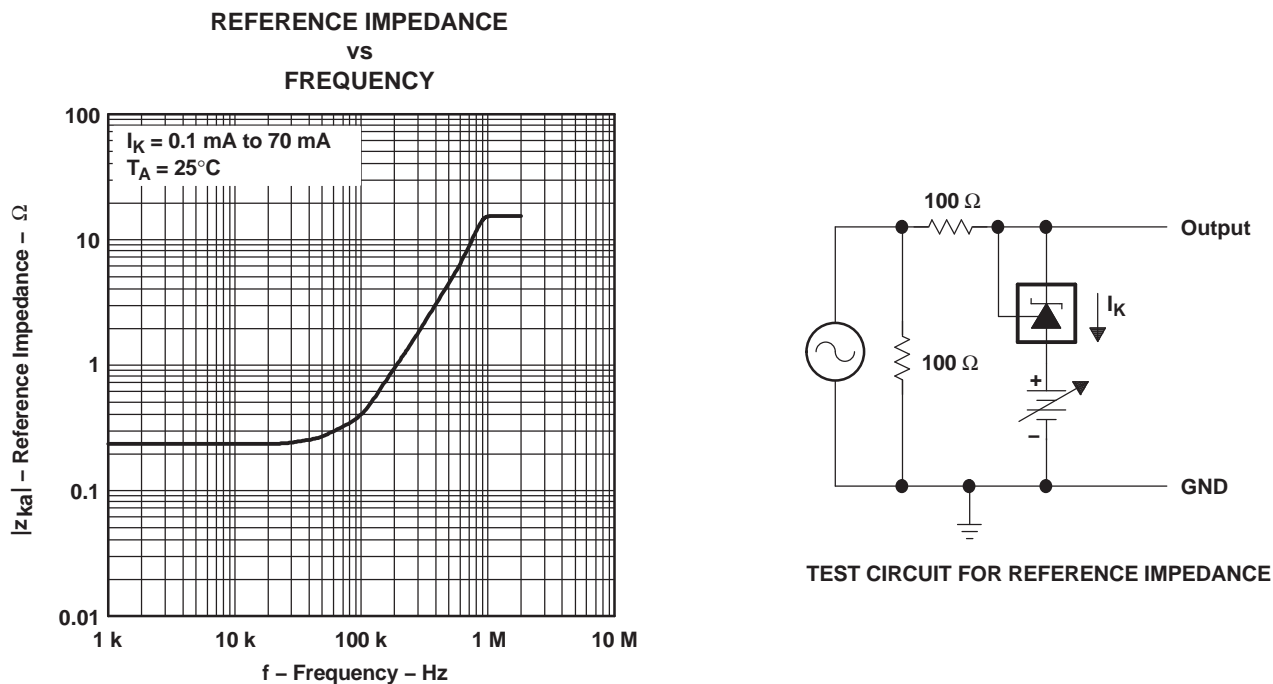


Figure 14.

PARAMETER MEASUREMENT INFORMATION (continued)

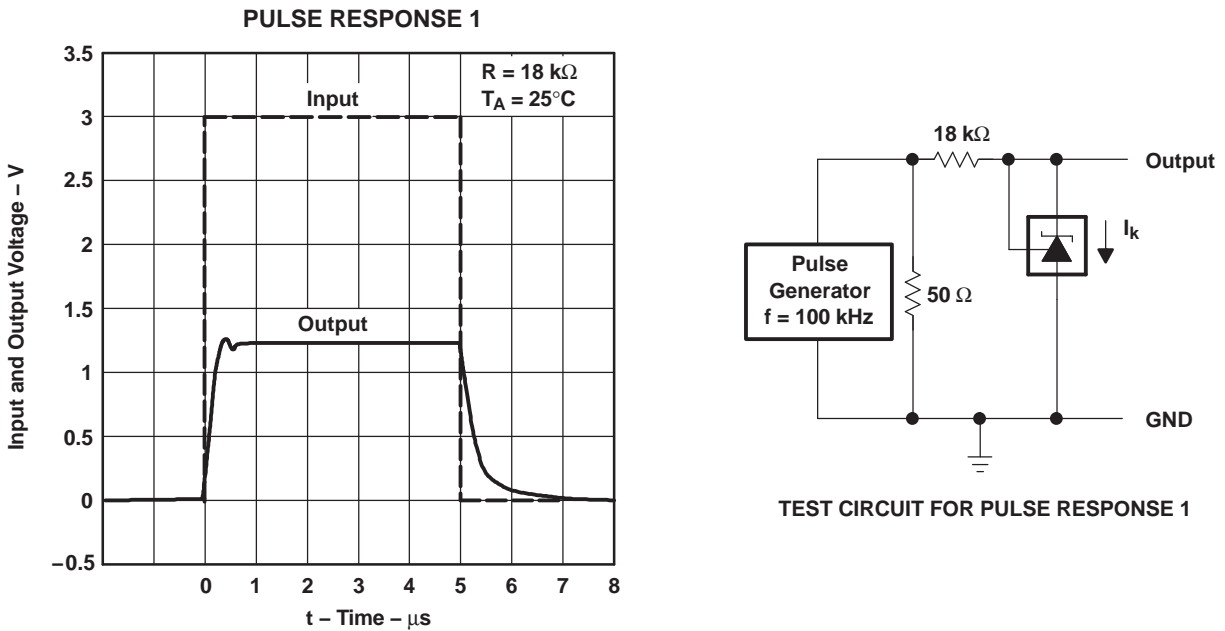


Figure 15.

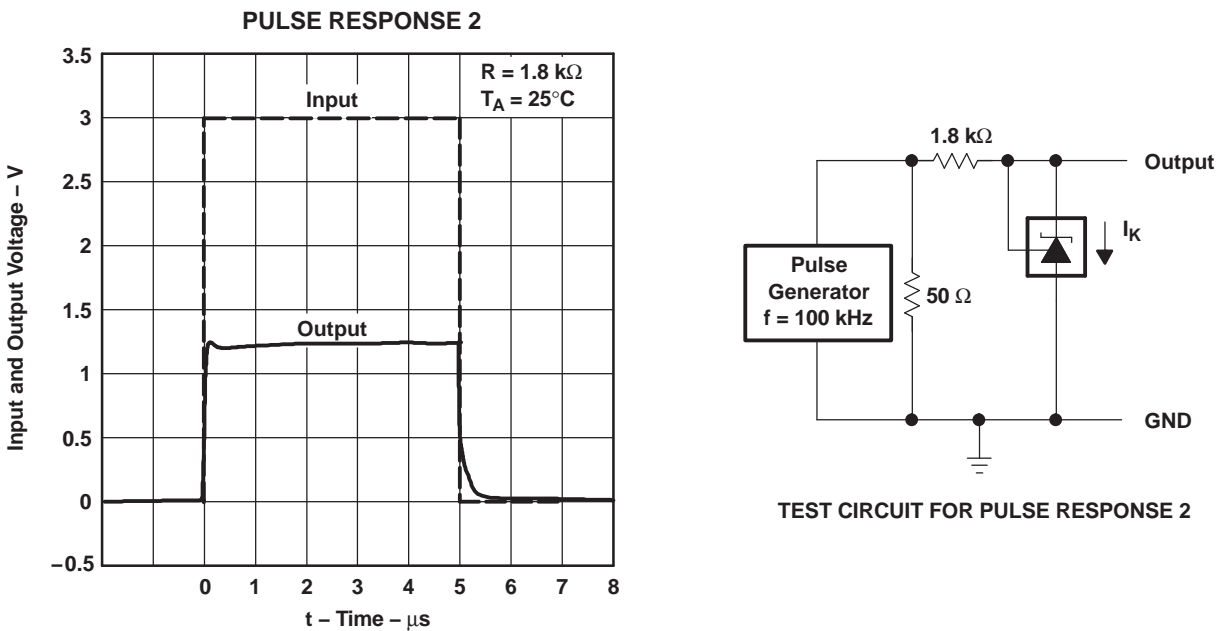


Figure 16.

PARAMETER MEASUREMENT INFORMATION (continued)

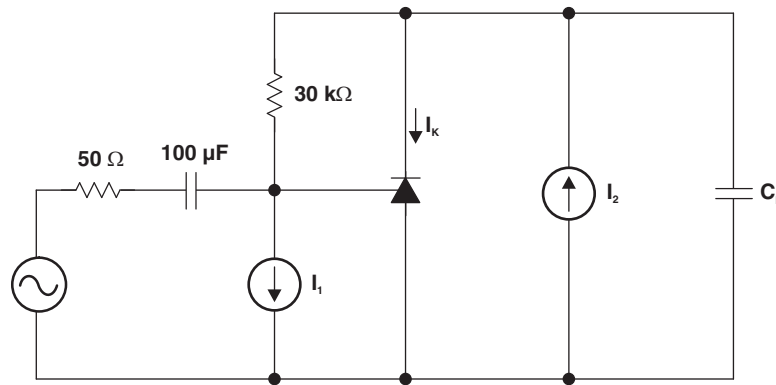


Figure 17. Phase Margin Test Circuit

PHASE MARGIN vs CAPACITIVE LOAD  
 $V_{ka} = V_{REF} (1.25 \text{ V}), T_A = 25^\circ\text{C}$

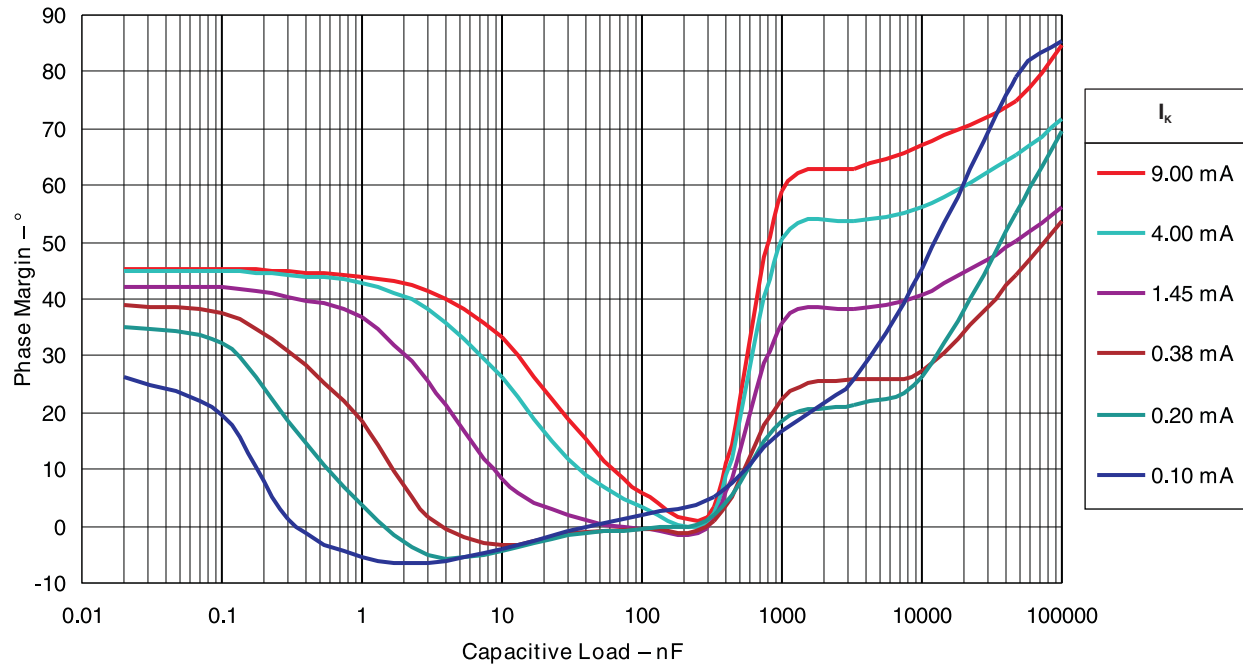


Figure 18.

PARAMETER MEASUREMENT INFORMATION (continued)

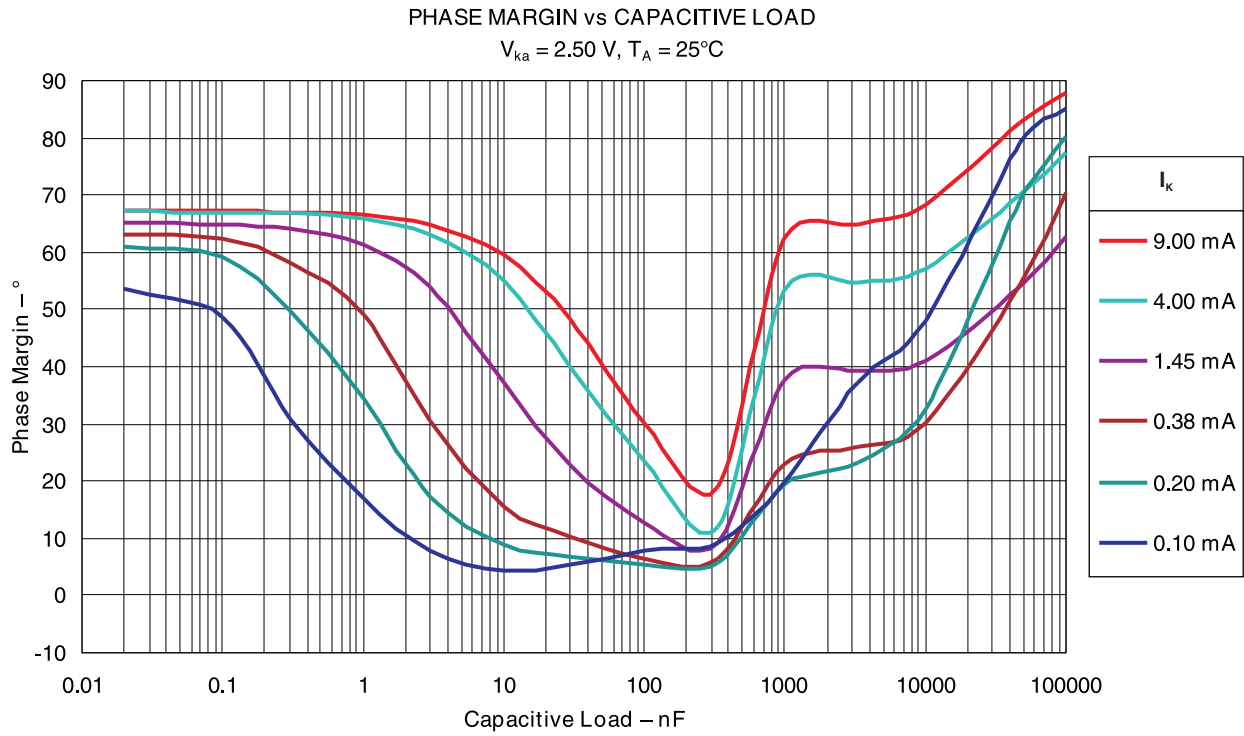


Figure 19.

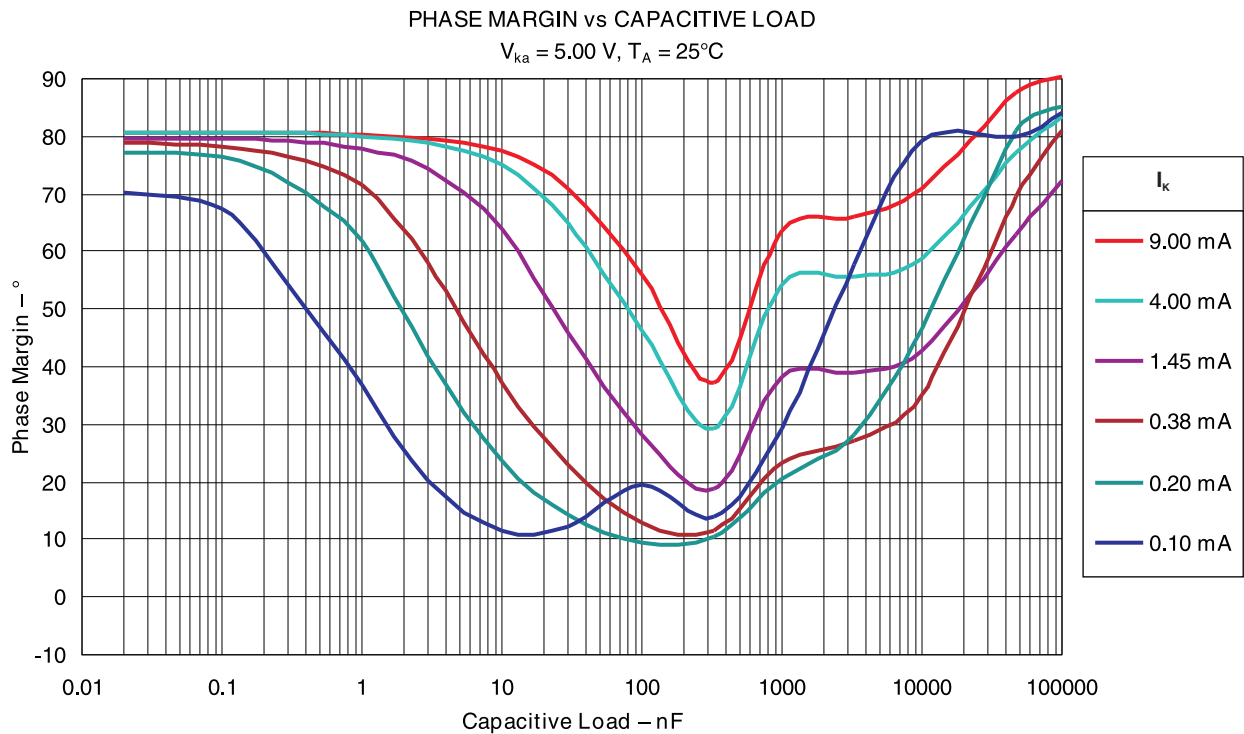


Figure 20.

APPLICATION INFORMATION

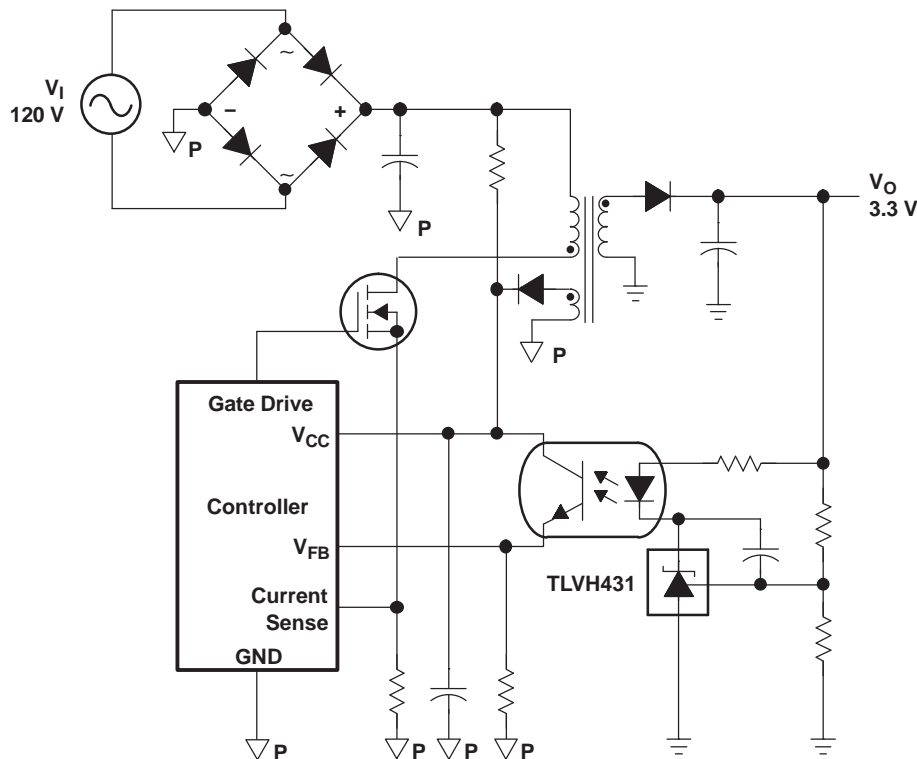


Figure 21. Flyback With Isolation Using TLVH431 and TLVH432 as Voltage Reference and Error Amplifier

Figure 21 shows the TLVH431 used in a 3.3-V isolated flyback supply. Output voltage  $V_O$  can be as low as reference voltage  $V_{REF}$  (1.24 V). The output of the regulator plus the forward voltage drop of the optocoupler LED ( $1.24 + 1.4 = 2.64$  V) determine the minimum voltage that can be regulated in an isolated supply configuration. Regulated voltage as low as 2.7 Vdc is possible in the topology shown in Figure 21.

**PACKAGING INFORMATION**

| Orderable Device | Status<br>(1) | Package Type | Package Drawing | Pins | Package Qty | Eco Plan<br>(2)         | Lead/Ball Finish<br>(6) | MSL Peak Temp<br>(3) | Op Temp (°C) | Device Marking<br>(4/5) | Samples                 |
|------------------|---------------|--------------|-----------------|------|-------------|-------------------------|-------------------------|----------------------|--------------|-------------------------|-------------------------|
| TLVH431ACDBVR    | ACTIVE        | SOT-23       | DBV             | 5    | 3000        | Green (RoHS & no Sb/Br) | CU NIPDAU               | Level-1-260C-UNLIM   | 0 to 70      | (Y3PG ~ Y3PU)           | <a href="#">Samples</a> |
| TLVH431ACDBVRE4  | ACTIVE        | SOT-23       | DBV             | 5    | 3000        | Green (RoHS & no Sb/Br) | CU NIPDAU               | Level-1-260C-UNLIM   | 0 to 70      | (Y3PG ~ Y3PU)           | <a href="#">Samples</a> |
| TLVH431ACDBVRG4  | ACTIVE        | SOT-23       | DBV             | 5    | 3000        | Green (RoHS & no Sb/Br) | CU NIPDAU               | Level-1-260C-UNLIM   | 0 to 70      | (Y3PG ~ Y3PU)           | <a href="#">Samples</a> |
| TLVH431ACDBVT    | ACTIVE        | SOT-23       | DBV             | 5    | 250         | Green (RoHS & no Sb/Br) | CU NIPDAU               | Level-1-260C-UNLIM   | 0 to 70      | (Y3PG ~ Y3PU)           | <a href="#">Samples</a> |
| TLVH431ACDBVTE4  | ACTIVE        | SOT-23       | DBV             | 5    | 250         | Green (RoHS & no Sb/Br) | CU NIPDAU               | Level-1-260C-UNLIM   | 0 to 70      | (Y3PG ~ Y3PU)           | <a href="#">Samples</a> |
| TLVH431ACDBVTG4  | ACTIVE        | SOT-23       | DBV             | 5    | 250         | Green (RoHS & no Sb/Br) | CU NIPDAU               | Level-1-260C-UNLIM   | 0 to 70      | (Y3PG ~ Y3PU)           | <a href="#">Samples</a> |
| TLVH431ACDBZR    | ACTIVE        | SOT-23       | DBZ             | 3    | 3000        | Green (RoHS & no Sb/Br) | CU NIPDAU               | Level-1-260C-UNLIM   | 0 to 70      | (Y3PS ~ Y3PU)           | <a href="#">Samples</a> |
| TLVH431ACDBZRG4  | ACTIVE        | SOT-23       | DBZ             | 3    | 3000        | Green (RoHS & no Sb/Br) | CU NIPDAU               | Level-1-260C-UNLIM   | 0 to 70      | (Y3PS ~ Y3PU)           | <a href="#">Samples</a> |
| TLVH431ACDBZT    | ACTIVE        | SOT-23       | DBZ             | 3    | 250         | Green (RoHS & no Sb/Br) | CU NIPDAU               | Level-1-260C-UNLIM   | 0 to 70      | (Y3PS ~ Y3PU)           | <a href="#">Samples</a> |
| TLVH431ACDBZTG4  | ACTIVE        | SOT-23       | DBZ             | 3    | 250         | Green (RoHS & no Sb/Br) | CU NIPDAU               | Level-1-260C-UNLIM   | 0 to 70      | (Y3PS ~ Y3PU)           | <a href="#">Samples</a> |
| TLVH431ACDCKR    | ACTIVE        | SC70         | DCK             | 6    | 3000        | Green (RoHS & no Sb/Br) | CU NIPDAU               | Level-1-260C-UNLIM   | 0 to 70      | YPU                     | <a href="#">Samples</a> |
| TLVH431ACDCKRE4  | ACTIVE        | SC70         | DCK             | 6    | 3000        | Green (RoHS & no Sb/Br) | CU NIPDAU               | Level-1-260C-UNLIM   | 0 to 70      | YPU                     | <a href="#">Samples</a> |
| TLVH431ACDCKRG4  | ACTIVE        | SC70         | DCK             | 6    | 3000        | Green (RoHS & no Sb/Br) | CU NIPDAU               | Level-1-260C-UNLIM   | 0 to 70      | YPU                     | <a href="#">Samples</a> |
| TLVH431ACDCKT    | ACTIVE        | SC70         | DCK             | 6    | 250         | Green (RoHS & no Sb/Br) | CU NIPDAU               | Level-1-260C-UNLIM   | 0 to 70      | YPU                     | <a href="#">Samples</a> |
| TLVH431ACDCKTE4  | ACTIVE        | SC70         | DCK             | 6    | 250         | Green (RoHS & no Sb/Br) | CU NIPDAU               | Level-1-260C-UNLIM   | 0 to 70      | YPU                     | <a href="#">Samples</a> |
| TLVH431ACDCKTG4  | ACTIVE        | SC70         | DCK             | 6    | 250         | Green (RoHS & no Sb/Br) | CU NIPDAU               | Level-1-260C-UNLIM   | 0 to 70      | YPU                     | <a href="#">Samples</a> |
| TLVH431ACLP      | ACTIVE        | TO-92        | LP              | 3    | 1000        | Pb-Free (RoHS)          | CU SN                   | N / A for Pkg Type   | 0 to 70      | ZA431A                  | <a href="#">Samples</a> |

| Orderable Device | Status<br>(1) | Package Type | Package Drawing | Pins | Package Qty | Eco Plan<br>(2)         | Lead/Ball Finish<br>(6) | MSL Peak Temp<br>(3) | Op Temp (°C) | Device Marking<br>(4/5) | Samples                 |
|------------------|---------------|--------------|-----------------|------|-------------|-------------------------|-------------------------|----------------------|--------------|-------------------------|-------------------------|
| TLVH431ACLPE3    | ACTIVE        | TO-92        | LP              | 3    | 1000        | Pb-Free (RoHS)          | CU SN                   | N / A for Pkg Type   | 0 to 70      | ZA431A                  | <a href="#">Samples</a> |
| TLVH431ACLPR     | ACTIVE        | TO-92        | LP              | 3    | 2000        | Pb-Free (RoHS)          | CU SN                   | N / A for Pkg Type   | 0 to 70      | ZA431A                  | <a href="#">Samples</a> |
| TLVH431ACLPRE3   | ACTIVE        | TO-92        | LP              | 3    | 2000        | Pb-Free (RoHS)          | CU SN                   | N / A for Pkg Type   | 0 to 70      | ZA431A                  | <a href="#">Samples</a> |
| TLVH431ACPK      | ACTIVE        | SOT-89       | PK              | 3    | 1000        | Green (RoHS & no Sb/Br) | CU SN                   | Level-2-260C-1 YEAR  | 0 to 70      | W2                      | <a href="#">Samples</a> |
| TLVH431ACPKG3    | ACTIVE        | SOT-89       | PK              | 3    | 1000        | Green (RoHS & no Sb/Br) | CU SN                   | Level-2-260C-1 YEAR  | 0 to 70      | W2                      | <a href="#">Samples</a> |
| TLVH431AIDBVR    | ACTIVE        | SOT-23       | DBV             | 5    | 3000        | Green (RoHS & no Sb/Br) | CU NIPDAU               | Level-1-260C-UNLIM   | -40 to 85    | Y3TU                    | <a href="#">Samples</a> |
| TLVH431AIDBVRE4  | ACTIVE        | SOT-23       | DBV             | 5    | 3000        | Green (RoHS & no Sb/Br) | CU NIPDAU               | Level-1-260C-UNLIM   | -40 to 85    | Y3TU                    | <a href="#">Samples</a> |
| TLVH431AIDBVRG4  | ACTIVE        | SOT-23       | DBV             | 5    | 3000        | Green (RoHS & no Sb/Br) | CU NIPDAU               | Level-1-260C-UNLIM   | -40 to 85    | Y3TU                    | <a href="#">Samples</a> |
| TLVH431AIDBVT    | ACTIVE        | SOT-23       | DBV             | 5    | 250         | Green (RoHS & no Sb/Br) | CU NIPDAU               | Level-1-260C-UNLIM   | -40 to 85    | Y3TU                    | <a href="#">Samples</a> |
| TLVH431AIDBVTE4  | ACTIVE        | SOT-23       | DBV             | 5    | 250         | Green (RoHS & no Sb/Br) | CU NIPDAU               | Level-1-260C-UNLIM   | -40 to 85    | Y3TU                    | <a href="#">Samples</a> |
| TLVH431AIDBVTG4  | ACTIVE        | SOT-23       | DBV             | 5    | 250         | Green (RoHS & no Sb/Br) | CU NIPDAU               | Level-1-260C-UNLIM   | -40 to 85    | Y3TU                    | <a href="#">Samples</a> |
| TLVH431AIDBZR    | ACTIVE        | SOT-23       | DBZ             | 3    | 3000        | Green (RoHS & no Sb/Br) | CU NIPDAU               | Level-1-260C-UNLIM   | -40 to 85    | (Y3T3 ~ Y3TS ~ Y3TU)    | <a href="#">Samples</a> |
| TLVH431AIDBZRG4  | ACTIVE        | SOT-23       | DBZ             | 3    | 3000        | Green (RoHS & no Sb/Br) | CU NIPDAU               | Level-1-260C-UNLIM   | -40 to 85    | (Y3T3 ~ Y3TS ~ Y3TU)    | <a href="#">Samples</a> |
| TLVH431AIDBZT    | ACTIVE        | SOT-23       | DBZ             | 3    | 250         | Green (RoHS & no Sb/Br) | CU NIPDAU               | Level-1-260C-UNLIM   | -40 to 85    | (Y3TS ~ Y3TU)           | <a href="#">Samples</a> |
| TLVH431AIDBZTG4  | ACTIVE        | SOT-23       | DBZ             | 3    | 250         | Green (RoHS & no Sb/Br) | CU NIPDAU               | Level-1-260C-UNLIM   | -40 to 85    | (Y3TS ~ Y3TU)           | <a href="#">Samples</a> |
| TLVH431AIDCKR    | ACTIVE        | SC70         | DCK             | 6    | 3000        | Green (RoHS & no Sb/Br) | CU NIPDAU               | Level-1-260C-UNLIM   | -40 to 85    | YTU                     | <a href="#">Samples</a> |
| TLVH431AIDCKRE4  | ACTIVE        | SC70         | DCK             | 6    | 3000        | Green (RoHS & no Sb/Br) | CU NIPDAU               | Level-1-260C-UNLIM   | -40 to 85    | YTU                     | <a href="#">Samples</a> |
| TLVH431AIDCKRG4  | ACTIVE        | SC70         | DCK             | 6    | 3000        | Green (RoHS & no Sb/Br) | CU NIPDAU               | Level-1-260C-UNLIM   | -40 to 85    | YTU                     | <a href="#">Samples</a> |



| Orderable Device | Status<br>(1) | Package Type | Package Drawing | Pins | Package Qty | Eco Plan<br>(2)         | Lead/Ball Finish<br>(6) | MSL Peak Temp<br>(3) | Op Temp (°C) | Device Marking<br>(4/5) | Samples                 |
|------------------|---------------|--------------|-----------------|------|-------------|-------------------------|-------------------------|----------------------|--------------|-------------------------|-------------------------|
| TLVH431AIDCKT    | ACTIVE        | SC70         | DCK             | 6    | 250         | Green (RoHS & no Sb/Br) | CU NIPDAU               | Level-1-260C-UNLIM   | -40 to 85    | YTU                     | <a href="#">Samples</a> |
| TLVH431AIDCKTE4  | ACTIVE        | SC70         | DCK             | 6    | 250         | Green (RoHS & no Sb/Br) | CU NIPDAU               | Level-1-260C-UNLIM   | -40 to 85    | YTU                     | <a href="#">Samples</a> |
| TLVH431AIDCKTG4  | ACTIVE        | SC70         | DCK             | 6    | 250         | Green (RoHS & no Sb/Br) | CU NIPDAU               | Level-1-260C-UNLIM   | -40 to 85    | YTU                     | <a href="#">Samples</a> |
| TLVH431AILP      | ACTIVE        | TO-92        | LP              | 3    | 1000        | Pb-Free (RoHS)          | CU SN                   | N / A for Pkg Type   | -40 to 85    | ZB431A                  | <a href="#">Samples</a> |
| TLVH431AILPE3    | ACTIVE        | TO-92        | LP              | 3    | 1000        | Pb-Free (RoHS)          | CU SN                   | N / A for Pkg Type   | -40 to 85    | ZB431A                  | <a href="#">Samples</a> |
| TLVH431AILPR     | ACTIVE        | TO-92        | LP              | 3    | 2000        | Pb-Free (RoHS)          | CU SN                   | N / A for Pkg Type   | -40 to 85    | ZB431A                  | <a href="#">Samples</a> |
| TLVH431AILPRE3   | ACTIVE        | TO-92        | LP              | 3    | 2000        | Pb-Free (RoHS)          | CU SN                   | N / A for Pkg Type   | -40 to 85    | ZB431A                  | <a href="#">Samples</a> |
| TLVH431AIPK      | ACTIVE        | SOT-89       | PK              | 3    | 1000        | Green (RoHS & no Sb/Br) | CU SN                   | Level-2-260C-1 YEAR  | -40 to 85    | W3                      | <a href="#">Samples</a> |
| TLVH431AIPKG3    | ACTIVE        | SOT-89       | PK              | 3    | 1000        | Green (RoHS & no Sb/Br) | CU SN                   | Level-2-260C-1 YEAR  | -40 to 85    | W3                      | <a href="#">Samples</a> |
| TLVH431AQDBVR    | ACTIVE        | SOT-23       | DBV             | 5    | 3000        | Green (RoHS & no Sb/Br) | CU NIPDAU               | Level-1-260C-UNLIM   | -40 to 125   | Y3NU                    | <a href="#">Samples</a> |
| TLVH431AQDBVRE4  | ACTIVE        | SOT-23       | DBV             | 5    | 3000        | Green (RoHS & no Sb/Br) | CU NIPDAU               | Level-1-260C-UNLIM   | -40 to 125   | Y3NU                    | <a href="#">Samples</a> |
| TLVH431AQDBVRG4  | ACTIVE        | SOT-23       | DBV             | 5    | 3000        | Green (RoHS & no Sb/Br) | CU NIPDAU               | Level-1-260C-UNLIM   | -40 to 125   | Y3NU                    | <a href="#">Samples</a> |
| TLVH431AQDBVT    | ACTIVE        | SOT-23       | DBV             | 5    | 250         | Green (RoHS & no Sb/Br) | CU NIPDAU               | Level-1-260C-UNLIM   | -40 to 125   | Y3NU                    | <a href="#">Samples</a> |
| TLVH431AQDBVTE4  | ACTIVE        | SOT-23       | DBV             | 5    | 250         | Green (RoHS & no Sb/Br) | CU NIPDAU               | Level-1-260C-UNLIM   | -40 to 125   | Y3NU                    | <a href="#">Samples</a> |
| TLVH431AQDBVTG4  | ACTIVE        | SOT-23       | DBV             | 5    | 250         | Green (RoHS & no Sb/Br) | CU NIPDAU               | Level-1-260C-UNLIM   | -40 to 125   | Y3NU                    | <a href="#">Samples</a> |
| TLVH431AQDBZR    | ACTIVE        | SOT-23       | DBZ             | 3    | 3000        | Green (RoHS & no Sb/Br) | CU NIPDAU               | Level-1-260C-UNLIM   | -40 to 125   | (Y3NS ~ Y3NU)           | <a href="#">Samples</a> |
| TLVH431AQDBZRG4  | ACTIVE        | SOT-23       | DBZ             | 3    | 3000        | Green (RoHS & no Sb/Br) | CU NIPDAU               | Level-1-260C-UNLIM   | -40 to 125   | (Y3NS ~ Y3NU)           | <a href="#">Samples</a> |
| TLVH431AQDBZT    | ACTIVE        | SOT-23       | DBZ             | 3    | 250         | Green (RoHS & no Sb/Br) | CU NIPDAU               | Level-1-260C-UNLIM   | -40 to 125   | (Y3NS ~ Y3NU)           | <a href="#">Samples</a> |

| Orderable Device | Status<br>(1) | Package Type | Package Drawing | Pins | Package Qty | Eco Plan<br>(2)         | Lead/Ball Finish<br>(6) | MSL Peak Temp<br>(3) | Op Temp (°C) | Device Marking<br>(4/5) | Samples                 |
|------------------|---------------|--------------|-----------------|------|-------------|-------------------------|-------------------------|----------------------|--------------|-------------------------|-------------------------|
| TLVH431AQDBZTG4  | ACTIVE        | SOT-23       | DBZ             | 3    | 250         | Green (RoHS & no Sb/Br) | CU NIPDAU               | Level-1-260C-UNLIM   | -40 to 125   | (Y3NS ~ Y3NU)           | <a href="#">Samples</a> |
| TLVH431AQDCKR    | ACTIVE        | SC70         | DCK             | 6    | 3000        | Green (RoHS & no Sb/Br) | CU NIPDAU               | Level-1-260C-UNLIM   | -40 to 125   | YNU                     | <a href="#">Samples</a> |
| TLVH431AQDCKRE4  | ACTIVE        | SC70         | DCK             | 6    | 3000        | Green (RoHS & no Sb/Br) | CU NIPDAU               | Level-1-260C-UNLIM   | -40 to 125   | YNU                     | <a href="#">Samples</a> |
| TLVH431AQDCKRG4  | ACTIVE        | SC70         | DCK             | 6    | 3000        | Green (RoHS & no Sb/Br) | CU NIPDAU               | Level-1-260C-UNLIM   | -40 to 125   | YNU                     | <a href="#">Samples</a> |
| TLVH431AQDCKT    | ACTIVE        | SC70         | DCK             | 6    | 250         | Green (RoHS & no Sb/Br) | CU NIPDAU               | Level-1-260C-UNLIM   | -40 to 125   | YNU                     | <a href="#">Samples</a> |
| TLVH431AQDCKTE4  | ACTIVE        | SC70         | DCK             | 6    | 250         | Green (RoHS & no Sb/Br) | CU NIPDAU               | Level-1-260C-UNLIM   | -40 to 125   | YNU                     | <a href="#">Samples</a> |
| TLVH431AQDCKTG4  | ACTIVE        | SC70         | DCK             | 6    | 250         | Green (RoHS & no Sb/Br) | CU NIPDAU               | Level-1-260C-UNLIM   | -40 to 125   | YNU                     | <a href="#">Samples</a> |
| TLVH431AQLP      | ACTIVE        | TO-92        | LP              | 3    | 1000        | Pb-Free (RoHS)          | CU SN                   | N / A for Pkg Type   | -40 to 125   | ZD431A                  | <a href="#">Samples</a> |
| TLVH431AQLPE3    | ACTIVE        | TO-92        | LP              | 3    | 1000        | Pb-Free (RoHS)          | CU SN                   | N / A for Pkg Type   | -40 to 125   | ZD431A                  | <a href="#">Samples</a> |
| TLVH431AQLPR     | ACTIVE        | TO-92        | LP              | 3    | 2000        | Pb-Free (RoHS)          | CU SN                   | N / A for Pkg Type   | -40 to 125   | ZD431A                  | <a href="#">Samples</a> |
| TLVH431AQLPRE3   | ACTIVE        | TO-92        | LP              | 3    | 2000        | Pb-Free (RoHS)          | CU SN                   | N / A for Pkg Type   | -40 to 125   | ZD431A                  | <a href="#">Samples</a> |
| TLVH431AQPK      | ACTIVE        | SOT-89       | PK              | 3    | 1000        | Green (RoHS & no Sb/Br) | CU SN                   | Level-2-260C-1 YEAR  | -40 to 125   | VD                      | <a href="#">Samples</a> |
| TLVH431AQPKG3    | ACTIVE        | SOT-89       | PK              | 3    | 1000        | Green (RoHS & no Sb/Br) | CU SN                   | Level-2-260C-1 YEAR  | -40 to 125   | VD                      | <a href="#">Samples</a> |
| TLVH431BCDBVR    | ACTIVE        | SOT-23       | DBV             | 5    | 3000        | Green (RoHS & no Sb/Br) | CU NIPDAU               | Level-1-260C-UNLIM   | 0 to 70      | Y3JU                    | <a href="#">Samples</a> |
| TLVH431BCDBVRE4  | ACTIVE        | SOT-23       | DBV             | 5    | 3000        | Green (RoHS & no Sb/Br) | CU NIPDAU               | Level-1-260C-UNLIM   | 0 to 70      | Y3JU                    | <a href="#">Samples</a> |
| TLVH431BCDBVRG4  | ACTIVE        | SOT-23       | DBV             | 5    | 3000        | Green (RoHS & no Sb/Br) | CU NIPDAU               | Level-1-260C-UNLIM   | 0 to 70      | Y3JU                    | <a href="#">Samples</a> |
| TLVH431BCDBVT    | ACTIVE        | SOT-23       | DBV             | 5    | 250         | Green (RoHS & no Sb/Br) | CU NIPDAU               | Level-1-260C-UNLIM   | 0 to 70      | Y3JU                    | <a href="#">Samples</a> |
| TLVH431BCDBVTE4  | ACTIVE        | SOT-23       | DBV             | 5    | 250         | Green (RoHS & no Sb/Br) | CU NIPDAU               | Level-1-260C-UNLIM   | 0 to 70      | Y3JU                    | <a href="#">Samples</a> |

| Orderable Device | Status<br>(1) | Package Type | Package Drawing | Pins | Package Qty | Eco Plan<br>(2)         | Lead/Ball Finish<br>(6) | MSL Peak Temp<br>(3) | Op Temp (°C) | Device Marking<br>(4/5) | Samples                 |
|------------------|---------------|--------------|-----------------|------|-------------|-------------------------|-------------------------|----------------------|--------------|-------------------------|-------------------------|
| TLVH431BCDBVTG4  | ACTIVE        | SOT-23       | DBV             | 5    | 250         | Green (RoHS & no Sb/Br) | CU NIPDAU               | Level-1-260C-UNLIM   | 0 to 70      | Y3JU                    | <a href="#">Samples</a> |
| TLVH431BCDBZR    | ACTIVE        | SOT-23       | DBZ             | 3    | 3000        | Green (RoHS & no Sb/Br) | CU NIPDAU               | Level-1-260C-UNLIM   | 0 to 70      | (Y3J3 ~ Y3JS ~ Y3JU)    | <a href="#">Samples</a> |
| TLVH431BCDBZRG4  | ACTIVE        | SOT-23       | DBZ             | 3    | 3000        | Green (RoHS & no Sb/Br) | CU NIPDAU               | Level-1-260C-UNLIM   | 0 to 70      | (Y3J3 ~ Y3JS ~ Y3JU)    | <a href="#">Samples</a> |
| TLVH431BCDBZT    | ACTIVE        | SOT-23       | DBZ             | 3    | 250         | Green (RoHS & no Sb/Br) | CU NIPDAU               | Level-1-260C-UNLIM   | 0 to 70      | (Y3JS ~ Y3JU)           | <a href="#">Samples</a> |
| TLVH431BCDBZTG4  | ACTIVE        | SOT-23       | DBZ             | 3    | 250         | Green (RoHS & no Sb/Br) | CU NIPDAU               | Level-1-260C-UNLIM   | 0 to 70      | (Y3JS ~ Y3JU)           | <a href="#">Samples</a> |
| TLVH431BCDCKR    | ACTIVE        | SC70         | DCK             | 6    | 3000        | Green (RoHS & no Sb/Br) | CU NIPDAU               | Level-1-260C-UNLIM   | 0 to 70      | YHU                     | <a href="#">Samples</a> |
| TLVH431BCDCKRE4  | ACTIVE        | SC70         | DCK             | 6    | 3000        | Green (RoHS & no Sb/Br) | CU NIPDAU               | Level-1-260C-UNLIM   | 0 to 70      | YHU                     | <a href="#">Samples</a> |
| TLVH431BCDCKRG4  | ACTIVE        | SC70         | DCK             | 6    | 3000        | Green (RoHS & no Sb/Br) | CU NIPDAU               | Level-1-260C-UNLIM   | 0 to 70      | YHU                     | <a href="#">Samples</a> |
| TLVH431BCDCKT    | ACTIVE        | SC70         | DCK             | 6    | 250         | Green (RoHS & no Sb/Br) | CU NIPDAU               | Level-1-260C-UNLIM   | 0 to 70      | YHU                     | <a href="#">Samples</a> |
| TLVH431BCDCKTE4  | ACTIVE        | SC70         | DCK             | 6    | 250         | Green (RoHS & no Sb/Br) | CU NIPDAU               | Level-1-260C-UNLIM   | 0 to 70      | YHU                     | <a href="#">Samples</a> |
| TLVH431BCDCKTG4  | ACTIVE        | SC70         | DCK             | 6    | 250         | Green (RoHS & no Sb/Br) | CU NIPDAU               | Level-1-260C-UNLIM   | 0 to 70      | YHU                     | <a href="#">Samples</a> |
| TLVH431BCLP      | ACTIVE        | TO-92        | LP              | 3    | 1000        | Pb-Free (RoHS)          | CU SN                   | N / A for Pkg Type   | 0 to 70      | ZA431B                  | <a href="#">Samples</a> |
| TLVH431BCLPE3    | ACTIVE        | TO-92        | LP              | 3    | 1000        | Pb-Free (RoHS)          | CU SN                   | N / A for Pkg Type   | 0 to 70      | ZA431B                  | <a href="#">Samples</a> |
| TLVH431BCLPR     | ACTIVE        | TO-92        | LP              | 3    | 2000        | Pb-Free (RoHS)          | CU SN                   | N / A for Pkg Type   | 0 to 70      | ZA431B                  | <a href="#">Samples</a> |
| TLVH431BCLPRE3   | ACTIVE        | TO-92        | LP              | 3    | 2000        | Pb-Free (RoHS)          | CU SN                   | N / A for Pkg Type   | 0 to 70      | ZA431B                  | <a href="#">Samples</a> |
| TLVH431BCPK      | ACTIVE        | SOT-89       | PK              | 3    | 1000        | Green (RoHS & no Sb/Br) | CU SN                   | Level-2-260C-1 YEAR  | 0 to 70      | V7                      | <a href="#">Samples</a> |
| TLVH431BCPKG3    | ACTIVE        | SOT-89       | PK              | 3    | 1000        | Green (RoHS & no Sb/Br) | CU SN                   | Level-2-260C-1 YEAR  | 0 to 70      | V7                      | <a href="#">Samples</a> |
| TLVH431BIDBVR    | ACTIVE        | SOT-23       | DBV             | 5    | 3000        | Green (RoHS & no Sb/Br) | CU NIPDAU               | Level-1-260C-UNLIM   | -40 to 85    | Y3KU                    | <a href="#">Samples</a> |

| Orderable Device | Status<br>(1) | Package Type | Package Drawing | Pins | Package Qty | Eco Plan<br>(2)         | Lead/Ball Finish<br>(6) | MSL Peak Temp<br>(3) | Op Temp (°C) | Device Marking<br>(4/5) | Samples                 |
|------------------|---------------|--------------|-----------------|------|-------------|-------------------------|-------------------------|----------------------|--------------|-------------------------|-------------------------|
| TLVH431BIDBVRE4  | ACTIVE        | SOT-23       | DBV             | 5    | 3000        | Green (RoHS & no Sb/Br) | CU NIPDAU               | Level-1-260C-UNLIM   | -40 to 85    | Y3KU                    | <a href="#">Samples</a> |
| TLVH431BIDBVRG4  | ACTIVE        | SOT-23       | DBV             | 5    | 3000        | Green (RoHS & no Sb/Br) | CU NIPDAU               | Level-1-260C-UNLIM   | -40 to 85    | Y3KU                    | <a href="#">Samples</a> |
| TLVH431BIDBVT    | ACTIVE        | SOT-23       | DBV             | 5    | 250         | Green (RoHS & no Sb/Br) | CU NIPDAU               | Level-1-260C-UNLIM   | -40 to 85    | Y3KU                    | <a href="#">Samples</a> |
| TLVH431BIDBVTE4  | ACTIVE        | SOT-23       | DBV             | 5    | 250         | Green (RoHS & no Sb/Br) | CU NIPDAU               | Level-1-260C-UNLIM   | -40 to 85    | Y3KU                    | <a href="#">Samples</a> |
| TLVH431BIDBVTG4  | ACTIVE        | SOT-23       | DBV             | 5    | 250         | Green (RoHS & no Sb/Br) | CU NIPDAU               | Level-1-260C-UNLIM   | -40 to 85    | Y3KU                    | <a href="#">Samples</a> |
| TLVH431BIDBZR    | ACTIVE        | SOT-23       | DBZ             | 3    | 3000        | Green (RoHS & no Sb/Br) | CU NIPDAU               | Level-1-260C-UNLIM   | -40 to 85    | (Y3KS ~ Y3KU)           | <a href="#">Samples</a> |
| TLVH431BIDBZRG4  | ACTIVE        | SOT-23       | DBZ             | 3    | 3000        | Green (RoHS & no Sb/Br) | CU NIPDAU               | Level-1-260C-UNLIM   | -40 to 85    | (Y3KS ~ Y3KU)           | <a href="#">Samples</a> |
| TLVH431BIDBZT    | ACTIVE        | SOT-23       | DBZ             | 3    | 250         | Green (RoHS & no Sb/Br) | CU NIPDAU               | Level-1-260C-UNLIM   | -40 to 85    | (Y3KS ~ Y3KU)           | <a href="#">Samples</a> |
| TLVH431BIDBZTG4  | ACTIVE        | SOT-23       | DBZ             | 3    | 250         | Green (RoHS & no Sb/Br) | CU NIPDAU               | Level-1-260C-UNLIM   | -40 to 85    | (Y3KS ~ Y3KU)           | <a href="#">Samples</a> |
| TLVH431BIDCKR    | ACTIVE        | SC70         | DCK             | 6    | 3000        | Green (RoHS & no Sb/Br) | CU NIPDAU               | Level-1-260C-UNLIM   | -40 to 85    | YJU                     | <a href="#">Samples</a> |
| TLVH431BIDCKRE4  | ACTIVE        | SC70         | DCK             | 6    | 3000        | Green (RoHS & no Sb/Br) | CU NIPDAU               | Level-1-260C-UNLIM   | -40 to 85    | YJU                     | <a href="#">Samples</a> |
| TLVH431BIDCKRG4  | ACTIVE        | SC70         | DCK             | 6    | 3000        | Green (RoHS & no Sb/Br) | CU NIPDAU               | Level-1-260C-UNLIM   | -40 to 85    | YJU                     | <a href="#">Samples</a> |
| TLVH431BIDCKT    | ACTIVE        | SC70         | DCK             | 6    | 250         | Green (RoHS & no Sb/Br) | CU NIPDAU               | Level-1-260C-UNLIM   | -40 to 85    | YJU                     | <a href="#">Samples</a> |
| TLVH431BIDCKTE4  | ACTIVE        | SC70         | DCK             | 6    | 250         | Green (RoHS & no Sb/Br) | CU NIPDAU               | Level-1-260C-UNLIM   | -40 to 85    | YJU                     | <a href="#">Samples</a> |
| TLVH431BIDCKTG4  | ACTIVE        | SC70         | DCK             | 6    | 250         | Green (RoHS & no Sb/Br) | CU NIPDAU               | Level-1-260C-UNLIM   | -40 to 85    | YJU                     | <a href="#">Samples</a> |
| TLVH431BILP      | ACTIVE        | TO-92        | LP              | 3    | 1000        | Pb-Free (RoHS)          | CU SN                   | N / A for Pkg Type   | -40 to 85    | ZB431B                  | <a href="#">Samples</a> |
| TLVH431BILPE3    | ACTIVE        | TO-92        | LP              | 3    | 1000        | Pb-Free (RoHS)          | CU SN                   | N / A for Pkg Type   | -40 to 85    | ZB431B                  | <a href="#">Samples</a> |
| TLVH431BILPR     | ACTIVE        | TO-92        | LP              | 3    | 2000        | Pb-Free (RoHS)          | CU SN                   | N / A for Pkg Type   | -40 to 85    | ZB431B                  | <a href="#">Samples</a> |

| Orderable Device | Status<br>(1) | Package Type | Package Drawing | Pins | Package Qty | Eco Plan<br>(2)         | Lead/Ball Finish<br>(6) | MSL Peak Temp<br>(3) | Op Temp (°C) | Device Marking<br>(4/5) | Samples                 |
|------------------|---------------|--------------|-----------------|------|-------------|-------------------------|-------------------------|----------------------|--------------|-------------------------|-------------------------|
| TLVH431BILPRE3   | ACTIVE        | TO-92        | LP              | 3    | 2000        | Pb-Free (RoHS)          | CU SN                   | N / A for Pkg Type   | -40 to 85    | ZB431B                  | <a href="#">Samples</a> |
| TLVH431BIPK      | ACTIVE        | SOT-89       | PK              | 3    | 1000        | Green (RoHS & no Sb/Br) | CU SN                   | Level-2-260C-1 YEAR  | -40 to 85    | V8                      | <a href="#">Samples</a> |
| TLVH431BIPKG3    | ACTIVE        | SOT-89       | PK              | 3    | 1000        | Green (RoHS & no Sb/Br) | CU SN                   | Level-2-260C-1 YEAR  | -40 to 85    | V8                      | <a href="#">Samples</a> |
| TLVH431BQDBVR    | ACTIVE        | SOT-23       | DBV             | 5    | 3000        | Green (RoHS & no Sb/Br) | CU NIPDAU               | Level-1-260C-UNLIM   | -40 to 125   | Y3LU                    | <a href="#">Samples</a> |
| TLVH431BQDBVRE4  | ACTIVE        | SOT-23       | DBV             | 5    | 3000        | Green (RoHS & no Sb/Br) | CU NIPDAU               | Level-1-260C-UNLIM   | -40 to 125   | Y3LU                    | <a href="#">Samples</a> |
| TLVH431BQDBVRG4  | ACTIVE        | SOT-23       | DBV             | 5    | 3000        | Green (RoHS & no Sb/Br) | CU NIPDAU               | Level-1-260C-UNLIM   | -40 to 125   | Y3LU                    | <a href="#">Samples</a> |
| TLVH431BQDBVT    | ACTIVE        | SOT-23       | DBV             | 5    | 250         | Green (RoHS & no Sb/Br) | CU NIPDAU               | Level-1-260C-UNLIM   | -40 to 125   | Y3LU                    | <a href="#">Samples</a> |
| TLVH431BQDBVTE4  | ACTIVE        | SOT-23       | DBV             | 5    | 250         | Green (RoHS & no Sb/Br) | CU NIPDAU               | Level-1-260C-UNLIM   | -40 to 125   | Y3LU                    | <a href="#">Samples</a> |
| TLVH431BQDBVTG4  | ACTIVE        | SOT-23       | DBV             | 5    | 250         | Green (RoHS & no Sb/Br) | CU NIPDAU               | Level-1-260C-UNLIM   | -40 to 125   | Y3LU                    | <a href="#">Samples</a> |
| TLVH431BQDBZR    | ACTIVE        | SOT-23       | DBZ             | 3    | 3000        | Green (RoHS & no Sb/Br) | CU NIPDAU               | Level-1-260C-UNLIM   | -40 to 125   | (Y3LS ~ Y3LU)           | <a href="#">Samples</a> |
| TLVH431BQDBZRG4  | ACTIVE        | SOT-23       | DBZ             | 3    | 3000        | Green (RoHS & no Sb/Br) | CU NIPDAU               | Level-1-260C-UNLIM   | -40 to 125   | (Y3LS ~ Y3LU)           | <a href="#">Samples</a> |
| TLVH431BQDBZT    | ACTIVE        | SOT-23       | DBZ             | 3    | 250         | Green (RoHS & no Sb/Br) | CU NIPDAU               | Level-1-260C-UNLIM   | -40 to 125   | (Y3LS ~ Y3LU)           | <a href="#">Samples</a> |
| TLVH431BQDBZTG4  | ACTIVE        | SOT-23       | DBZ             | 3    | 250         | Green (RoHS & no Sb/Br) | CU NIPDAU               | Level-1-260C-UNLIM   | -40 to 125   | (Y3LS ~ Y3LU)           | <a href="#">Samples</a> |
| TLVH431BQDCKR    | ACTIVE        | SC70         | DCK             | 6    | 3000        | Green (RoHS & no Sb/Br) | CU NIPDAU               | Level-1-260C-UNLIM   | -40 to 125   | YKU                     | <a href="#">Samples</a> |
| TLVH431BQDCKRE4  | ACTIVE        | SC70         | DCK             | 6    | 3000        | Green (RoHS & no Sb/Br) | CU NIPDAU               | Level-1-260C-UNLIM   | -40 to 125   | YKU                     | <a href="#">Samples</a> |
| TLVH431BQDCKRG4  | ACTIVE        | SC70         | DCK             | 6    | 3000        | Green (RoHS & no Sb/Br) | CU NIPDAU               | Level-1-260C-UNLIM   | -40 to 125   | YKU                     | <a href="#">Samples</a> |
| TLVH431BQDCKT    | ACTIVE        | SC70         | DCK             | 6    | 250         | Green (RoHS & no Sb/Br) | CU NIPDAU               | Level-1-260C-UNLIM   | -40 to 125   | YKU                     | <a href="#">Samples</a> |
| TLVH431BQDCKTE4  | ACTIVE        | SC70         | DCK             | 6    | 250         | Green (RoHS & no Sb/Br) | CU NIPDAU               | Level-1-260C-UNLIM   | -40 to 125   | YKU                     | <a href="#">Samples</a> |

| Orderable Device | Status<br>(1) | Package Type | Package Drawing | Pins | Package Qty | Eco Plan<br>(2)         | Lead/Ball Finish<br>(6) | MSL Peak Temp<br>(3) | Op Temp (°C) | Device Marking<br>(4/5) | Samples                 |
|------------------|---------------|--------------|-----------------|------|-------------|-------------------------|-------------------------|----------------------|--------------|-------------------------|-------------------------|
| TLVH431BQDCKTG4  | ACTIVE        | SC70         | DCK             | 6    | 250         | Green (RoHS & no Sb/Br) | CU NIPDAU               | Level-1-260C-UNLIM   | -40 to 125   | YKU                     | <a href="#">Samples</a> |
| TLVH431BQLP      | ACTIVE        | TO-92        | LP              | 3    | 1000        | Pb-Free (RoHS)          | CU SN                   | N / A for Pkg Type   | -40 to 125   | ZD431B                  | <a href="#">Samples</a> |
| TLVH431BQLPE3    | ACTIVE        | TO-92        | LP              | 3    | 1000        | Pb-Free (RoHS)          | CU SN                   | N / A for Pkg Type   | -40 to 125   | ZD431B                  | <a href="#">Samples</a> |
| TLVH431BQLPR     | ACTIVE        | TO-92        | LP              | 3    | 2000        | Pb-Free (RoHS)          | CU SN                   | N / A for Pkg Type   | -40 to 125   | ZD431B                  | <a href="#">Samples</a> |
| TLVH431BQLPRE3   | ACTIVE        | TO-92        | LP              | 3    | 2000        | Pb-Free (RoHS)          | CU SN                   | N / A for Pkg Type   | -40 to 125   | ZD431B                  | <a href="#">Samples</a> |
| TLVH431BQPK      | ACTIVE        | SOT-89       | PK              | 3    | 1000        | Green (RoHS & no Sb/Br) | CU SN                   | Level-2-260C-1 YEAR  | -40 to 125   | V9                      | <a href="#">Samples</a> |
| TLVH431BQPKG3    | ACTIVE        | SOT-89       | PK              | 3    | 1000        | Green (RoHS & no Sb/Br) | CU SN                   | Level-2-260C-1 YEAR  | -40 to 125   | V9                      | <a href="#">Samples</a> |
| TLVH431CDBVR     | ACTIVE        | SOT-23       | DBV             | 5    | 3000        | Green (RoHS & no Sb/Br) | CU NIPDAU               | Level-1-260C-UNLIM   | 0 to 70      | Y3UU                    | <a href="#">Samples</a> |
| TLVH431CDBVRE4   | ACTIVE        | SOT-23       | DBV             | 5    | 3000        | Green (RoHS & no Sb/Br) | CU NIPDAU               | Level-1-260C-UNLIM   | 0 to 70      | Y3UU                    | <a href="#">Samples</a> |
| TLVH431CDBVRG4   | ACTIVE        | SOT-23       | DBV             | 5    | 3000        | Green (RoHS & no Sb/Br) | CU NIPDAU               | Level-1-260C-UNLIM   | 0 to 70      | Y3UU                    | <a href="#">Samples</a> |
| TLVH431CDBVT     | ACTIVE        | SOT-23       | DBV             | 5    | 250         | Green (RoHS & no Sb/Br) | CU NIPDAU               | Level-1-260C-UNLIM   | 0 to 70      | Y3UU                    | <a href="#">Samples</a> |
| TLVH431CDBVTE4   | ACTIVE        | SOT-23       | DBV             | 5    | 250         | Green (RoHS & no Sb/Br) | CU NIPDAU               | Level-1-260C-UNLIM   | 0 to 70      | Y3UU                    | <a href="#">Samples</a> |
| TLVH431CDBVTG4   | ACTIVE        | SOT-23       | DBV             | 5    | 250         | Green (RoHS & no Sb/Br) | CU NIPDAU               | Level-1-260C-UNLIM   | 0 to 70      | Y3UU                    | <a href="#">Samples</a> |
| TLVH431CDBZR     | ACTIVE        | SOT-23       | DBZ             | 3    | 3000        | Green (RoHS & no Sb/Br) | CU NIPDAU               | Level-1-260C-UNLIM   | 0 to 70      | (Y3US ~ Y3UU)           | <a href="#">Samples</a> |
| TLVH431CDBZRG4   | ACTIVE        | SOT-23       | DBZ             | 3    | 3000        | Green (RoHS & no Sb/Br) | CU NIPDAU               | Level-1-260C-UNLIM   | 0 to 70      | (Y3US ~ Y3UU)           | <a href="#">Samples</a> |
| TLVH431CDBZT     | ACTIVE        | SOT-23       | DBZ             | 3    | 250         | Green (RoHS & no Sb/Br) | CU NIPDAU               | Level-1-260C-UNLIM   | 0 to 70      | (Y3US ~ Y3UU)           | <a href="#">Samples</a> |
| TLVH431CDBZTG4   | ACTIVE        | SOT-23       | DBZ             | 3    | 250         | Green (RoHS & no Sb/Br) | CU NIPDAU               | Level-1-260C-UNLIM   | 0 to 70      | (Y3US ~ Y3UU)           | <a href="#">Samples</a> |
| TLVH431CDCKR     | ACTIVE        | SC70         | DCK             | 6    | 3000        | Green (RoHS & no Sb/Br) | CU NIPDAU               | Level-1-260C-UNLIM   | 0 to 70      | YUU                     | <a href="#">Samples</a> |

| Orderable Device | Status<br>(1) | Package Type | Package Drawing | Pins | Package Qty | Eco Plan<br>(2)         | Lead/Ball Finish<br>(6) | MSL Peak Temp<br>(3) | Op Temp (°C) | Device Marking<br>(4/5) | Samples                 |
|------------------|---------------|--------------|-----------------|------|-------------|-------------------------|-------------------------|----------------------|--------------|-------------------------|-------------------------|
| TLVH431CDCKRE4   | ACTIVE        | SC70         | DCK             | 6    | 3000        | Green (RoHS & no Sb/Br) | CU NIPDAU               | Level-1-260C-UNLIM   | 0 to 70      | YUU                     | <a href="#">Samples</a> |
| TLVH431CDCKRG4   | ACTIVE        | SC70         | DCK             | 6    | 3000        | Green (RoHS & no Sb/Br) | CU NIPDAU               | Level-1-260C-UNLIM   | 0 to 70      | YUU                     | <a href="#">Samples</a> |
| TLVH431CDCKT     | ACTIVE        | SC70         | DCK             | 6    | 250         | Green (RoHS & no Sb/Br) | CU NIPDAU               | Level-1-260C-UNLIM   | 0 to 70      | YUU                     | <a href="#">Samples</a> |
| TLVH431CDCKTE4   | ACTIVE        | SC70         | DCK             | 6    | 250         | Green (RoHS & no Sb/Br) | CU NIPDAU               | Level-1-260C-UNLIM   | 0 to 70      | YUU                     | <a href="#">Samples</a> |
| TLVH431CDCKTG4   | ACTIVE        | SC70         | DCK             | 6    | 250         | Green (RoHS & no Sb/Br) | CU NIPDAU               | Level-1-260C-UNLIM   | 0 to 70      | YUU                     | <a href="#">Samples</a> |
| TLVH431CLP       | ACTIVE        | TO-92        | LP              | 3    | 1000        | Pb-Free (RoHS)          | CU SN                   | N / A for Pkg Type   | 0 to 70      | ZA431                   | <a href="#">Samples</a> |
| TLVH431CLPE3     | ACTIVE        | TO-92        | LP              | 3    | 1000        | Pb-Free (RoHS)          | CU SN                   | N / A for Pkg Type   | 0 to 70      | ZA431                   | <a href="#">Samples</a> |
| TLVH431CLPR      | ACTIVE        | TO-92        | LP              | 3    | 2000        | Pb-Free (RoHS)          | CU SN                   | N / A for Pkg Type   | 0 to 70      | ZA431                   | <a href="#">Samples</a> |
| TLVH431CLPRE3    | ACTIVE        | TO-92        | LP              | 3    | 2000        | Pb-Free (RoHS)          | CU SN                   | N / A for Pkg Type   | 0 to 70      | ZA431                   | <a href="#">Samples</a> |
| TLVH431CPK       | ACTIVE        | SOT-89       | PK              | 3    | 1000        | Green (RoHS & no Sb/Br) | CU SN                   | Level-2-260C-1 YEAR  | 0 to 70      | W4                      | <a href="#">Samples</a> |
| TLVH431CPKG3     | ACTIVE        | SOT-89       | PK              | 3    | 1000        | Green (RoHS & no Sb/Br) | CU SN                   | Level-2-260C-1 YEAR  | 0 to 70      | W4                      | <a href="#">Samples</a> |
| TLVH431BQDBZR    | PREVIEW       | SOT-23       | DBZ             | 3    |             | TBD                     | Call TI                 | Call TI              | -40 to 125   |                         |                         |
| TLVH431IDBVR     | ACTIVE        | SOT-23       | DBV             | 5    | 3000        | Green (RoHS & no Sb/Br) | CU NIPDAU               | Level-1-260C-UNLIM   | -40 to 85    | Y3VU                    | <a href="#">Samples</a> |
| TLVH431IDBvre4   | ACTIVE        | SOT-23       | DBV             | 5    | 3000        | Green (RoHS & no Sb/Br) | CU NIPDAU               | Level-1-260C-UNLIM   | -40 to 85    | Y3VU                    | <a href="#">Samples</a> |
| TLVH431IDBVRG4   | ACTIVE        | SOT-23       | DBV             | 5    | 3000        | Green (RoHS & no Sb/Br) | CU NIPDAU               | Level-1-260C-UNLIM   | -40 to 85    | Y3VU                    | <a href="#">Samples</a> |
| TLVH431IDBVT     | ACTIVE        | SOT-23       | DBV             | 5    | 250         | Green (RoHS & no Sb/Br) | CU NIPDAU               | Level-1-260C-UNLIM   | -40 to 85    | Y3VU                    | <a href="#">Samples</a> |
| TLVH431IDBVTE4   | ACTIVE        | SOT-23       | DBV             | 5    | 250         | Green (RoHS & no Sb/Br) | CU NIPDAU               | Level-1-260C-UNLIM   | -40 to 85    | Y3VU                    | <a href="#">Samples</a> |
| TLVH431IDBVTG4   | ACTIVE        | SOT-23       | DBV             | 5    | 250         | Green (RoHS & no Sb/Br) | CU NIPDAU               | Level-1-260C-UNLIM   | -40 to 85    | Y3VU                    | <a href="#">Samples</a> |



| Orderable Device | Status<br>(1) | Package Type | Package Drawing | Pins | Package Qty | Eco Plan<br>(2)         | Lead/Ball Finish<br>(6) | MSL Peak Temp<br>(3) | Op Temp (°C) | Device Marking<br>(4/5) | Samples                 |
|------------------|---------------|--------------|-----------------|------|-------------|-------------------------|-------------------------|----------------------|--------------|-------------------------|-------------------------|
| TLVH431IDBZR     | ACTIVE        | SOT-23       | DBZ             | 3    | 3000        | Green (RoHS & no Sb/Br) | CU NIPDAU               | Level-1-260C-UNLIM   | -40 to 85    | (Y3VS ~ Y3VU)           | <a href="#">Samples</a> |
| TLVH431IDBZRG4   | ACTIVE        | SOT-23       | DBZ             | 3    | 3000        | Green (RoHS & no Sb/Br) | CU NIPDAU               | Level-1-260C-UNLIM   | -40 to 85    | (Y3VS ~ Y3VU)           | <a href="#">Samples</a> |
| TLVH431IDBZT     | ACTIVE        | SOT-23       | DBZ             | 3    | 250         | Green (RoHS & no Sb/Br) | CU NIPDAU               | Level-1-260C-UNLIM   | -40 to 85    | (Y3VS ~ Y3VU)           | <a href="#">Samples</a> |
| TLVH431IDBZTG4   | ACTIVE        | SOT-23       | DBZ             | 3    | 250         | Green (RoHS & no Sb/Br) | CU NIPDAU               | Level-1-260C-UNLIM   | -40 to 85    | (Y3VS ~ Y3VU)           | <a href="#">Samples</a> |
| TLVH431IDCKR     | ACTIVE        | SC70         | DCK             | 6    | 3000        | Green (RoHS & no Sb/Br) | CU NIPDAU               | Level-1-260C-UNLIM   | -40 to 85    | YVU                     | <a href="#">Samples</a> |
| TLVH431IDCKRE4   | ACTIVE        | SC70         | DCK             | 6    | 3000        | Green (RoHS & no Sb/Br) | CU NIPDAU               | Level-1-260C-UNLIM   | -40 to 85    | YVU                     | <a href="#">Samples</a> |
| TLVH431IDCKRG4   | ACTIVE        | SC70         | DCK             | 6    | 3000        | Green (RoHS & no Sb/Br) | CU NIPDAU               | Level-1-260C-UNLIM   | -40 to 85    | YVU                     | <a href="#">Samples</a> |
| TLVH431IDCKT     | ACTIVE        | SC70         | DCK             | 6    | 250         | Green (RoHS & no Sb/Br) | CU NIPDAU               | Level-1-260C-UNLIM   | -40 to 85    | YVU                     | <a href="#">Samples</a> |
| TLVH431IDCKTE4   | ACTIVE        | SC70         | DCK             | 6    | 250         | Green (RoHS & no Sb/Br) | CU NIPDAU               | Level-1-260C-UNLIM   | -40 to 85    | YVU                     | <a href="#">Samples</a> |
| TLVH431IDCKTG4   | ACTIVE        | SC70         | DCK             | 6    | 250         | Green (RoHS & no Sb/Br) | CU NIPDAU               | Level-1-260C-UNLIM   | -40 to 85    | YVU                     | <a href="#">Samples</a> |
| TLVH431ILP       | ACTIVE        | TO-92        | LP              | 3    | 1000        | Pb-Free (RoHS)          | CU SN                   | N / A for Pkg Type   | -40 to 85    | ZB431                   | <a href="#">Samples</a> |
| TLVH431ILPE3     | ACTIVE        | TO-92        | LP              | 3    | 1000        | Pb-Free (RoHS)          | CU SN                   | N / A for Pkg Type   | -40 to 85    | ZB431                   | <a href="#">Samples</a> |
| TLVH431ILPR      | ACTIVE        | TO-92        | LP              | 3    | 2000        | Pb-Free (RoHS)          | CU SN                   | N / A for Pkg Type   | -40 to 85    | ZB431                   | <a href="#">Samples</a> |
| TLVH431ILPRE3    | ACTIVE        | TO-92        | LP              | 3    | 2000        | Pb-Free (RoHS)          | CU SN                   | N / A for Pkg Type   | -40 to 85    | ZB431                   | <a href="#">Samples</a> |
| TLVH431IPK       | ACTIVE        | SOT-89       | PK              | 3    | 1000        | Green (RoHS & no Sb/Br) | CU SN                   | Level-2-260C-1 YEAR  | -40 to 85    | W5                      | <a href="#">Samples</a> |
| TLVH431IPKG3     | ACTIVE        | SOT-89       | PK              | 3    | 1000        | Green (RoHS & no Sb/Br) | CU SN                   | Level-2-260C-1 YEAR  | -40 to 85    | W5                      | <a href="#">Samples</a> |
| TLVH431QDBVR     | ACTIVE        | SOT-23       | DBV             | 5    | 3000        | Green (RoHS & no Sb/Br) | CU NIPDAU               | Level-1-260C-UNLIM   | -40 to 125   | Y3MU                    | <a href="#">Samples</a> |
| TLVH431QDBVRE4   | ACTIVE        | SOT-23       | DBV             | 5    | 3000        | Green (RoHS & no Sb/Br) | CU NIPDAU               | Level-1-260C-UNLIM   | -40 to 125   | Y3MU                    | <a href="#">Samples</a> |



| Orderable Device | Status<br>(1) | Package Type | Package Drawing | Pins | Package Qty | Eco Plan<br>(2)         | Lead/Ball Finish<br>(6) | MSL Peak Temp<br>(3) | Op Temp (°C) | Device Marking<br>(4/5) | Samples                 |
|------------------|---------------|--------------|-----------------|------|-------------|-------------------------|-------------------------|----------------------|--------------|-------------------------|-------------------------|
| TLVH431QDBVRG4   | ACTIVE        | SOT-23       | DBV             | 5    | 3000        | Green (RoHS & no Sb/Br) | CU NIPDAU               | Level-1-260C-UNLIM   | -40 to 125   | Y3MU                    | <a href="#">Samples</a> |
| TLVH431QDBVT     | ACTIVE        | SOT-23       | DBV             | 5    | 250         | Green (RoHS & no Sb/Br) | CU NIPDAU               | Level-1-260C-UNLIM   | -40 to 125   | Y3MU                    | <a href="#">Samples</a> |
| TLVH431QDBVTE4   | ACTIVE        | SOT-23       | DBV             | 5    | 250         | Green (RoHS & no Sb/Br) | CU NIPDAU               | Level-1-260C-UNLIM   | -40 to 125   | Y3MU                    | <a href="#">Samples</a> |
| TLVH431QDBVTG4   | ACTIVE        | SOT-23       | DBV             | 5    | 250         | Green (RoHS & no Sb/Br) | CU NIPDAU               | Level-1-260C-UNLIM   | -40 to 125   | Y3MU                    | <a href="#">Samples</a> |
| TLVH431QDBZR     | ACTIVE        | SOT-23       | DBZ             | 3    | 3000        | Green (RoHS & no Sb/Br) | CU NIPDAU               | Level-1-260C-UNLIM   | -40 to 125   | (Y3MS ~ Y3MU)           | <a href="#">Samples</a> |
| TLVH431QDBZRG4   | ACTIVE        | SOT-23       | DBZ             | 3    | 3000        | Green (RoHS & no Sb/Br) | CU NIPDAU               | Level-1-260C-UNLIM   | -40 to 125   | (Y3MS ~ Y3MU)           | <a href="#">Samples</a> |
| TLVH431QDBZT     | ACTIVE        | SOT-23       | DBZ             | 3    | 250         | Green (RoHS & no Sb/Br) | CU NIPDAU               | Level-1-260C-UNLIM   | -40 to 125   | (Y3MS ~ Y3MU)           | <a href="#">Samples</a> |
| TLVH431QDBZTG4   | ACTIVE        | SOT-23       | DBZ             | 3    | 250         | Green (RoHS & no Sb/Br) | CU NIPDAU               | Level-1-260C-UNLIM   | -40 to 125   | (Y3MS ~ Y3MU)           | <a href="#">Samples</a> |
| TLVH431QDCKR     | ACTIVE        | SC70         | DCK             | 6    | 3000        | Green (RoHS & no Sb/Br) | CU NIPDAU               | Level-1-260C-UNLIM   | -40 to 125   | YMU                     | <a href="#">Samples</a> |
| TLVH431QDCKRE4   | ACTIVE        | SC70         | DCK             | 6    | 3000        | Green (RoHS & no Sb/Br) | CU NIPDAU               | Level-1-260C-UNLIM   | -40 to 125   | YMU                     | <a href="#">Samples</a> |
| TLVH431QDCKRG4   | ACTIVE        | SC70         | DCK             | 6    | 3000        | Green (RoHS & no Sb/Br) | CU NIPDAU               | Level-1-260C-UNLIM   | -40 to 125   | YMU                     | <a href="#">Samples</a> |
| TLVH431QDCKT     | ACTIVE        | SC70         | DCK             | 6    | 250         | Green (RoHS & no Sb/Br) | CU NIPDAU               | Level-1-260C-UNLIM   | -40 to 125   | YMU                     | <a href="#">Samples</a> |
| TLVH431QDCKTE4   | ACTIVE        | SC70         | DCK             | 6    | 250         | Green (RoHS & no Sb/Br) | CU NIPDAU               | Level-1-260C-UNLIM   | -40 to 125   | YMU                     | <a href="#">Samples</a> |
| TLVH431QDCKTG4   | ACTIVE        | SC70         | DCK             | 6    | 250         | Green (RoHS & no Sb/Br) | CU NIPDAU               | Level-1-260C-UNLIM   | -40 to 125   | YMU                     | <a href="#">Samples</a> |
| TLVH431QLP       | ACTIVE        | TO-92        | LP              | 3    | 1000        | Pb-Free (RoHS)          | CU SN                   | N / A for Pkg Type   | -40 to 125   | ZD431                   | <a href="#">Samples</a> |
| TLVH431QLPE3     | ACTIVE        | TO-92        | LP              | 3    | 1000        | Pb-Free (RoHS)          | CU SN                   | N / A for Pkg Type   | -40 to 125   | ZD431                   | <a href="#">Samples</a> |
| TLVH431QLPR      | ACTIVE        | TO-92        | LP              | 3    | 2000        | Pb-Free (RoHS)          | CU SN                   | N / A for Pkg Type   | -40 to 125   | ZD431                   | <a href="#">Samples</a> |
| TLVH431QLPRE3    | ACTIVE        | TO-92        | LP              | 3    | 2000        | Pb-Free (RoHS)          | CU SN                   | N / A for Pkg Type   | -40 to 125   | ZD431                   | <a href="#">Samples</a> |

| Orderable Device | Status<br>(1) | Package Type | Package Drawing | Pins | Package Qty | Eco Plan<br>(2)         | Lead/Ball Finish<br>(6) | MSL Peak Temp<br>(3) | Op Temp (°C) | Device Marking<br>(4/5) | Samples                 |
|------------------|---------------|--------------|-----------------|------|-------------|-------------------------|-------------------------|----------------------|--------------|-------------------------|-------------------------|
| TLVH431QPK       | ACTIVE        | SOT-89       | PK              | 3    | 1000        | Green (RoHS & no Sb/Br) | CU SN                   | Level-2-260C-1 YEAR  | -40 to 125   | VC                      | <a href="#">Samples</a> |
| TLVH431QPKG3     | ACTIVE        | SOT-89       | PK              | 3    | 1000        | Green (RoHS & no Sb/Br) | CU SN                   | Level-2-260C-1 YEAR  | -40 to 125   | VC                      | <a href="#">Samples</a> |
| TLVH432ACDBZR    | ACTIVE        | SOT-23       | DBZ             | 3    | 3000        | Green (RoHS & no Sb/Br) | CU NIPDAU               | Level-1-260C-UNLIM   | 0 to 70      | (Y2ES ~ Y2EU)           | <a href="#">Samples</a> |
| TLVH432ACDBZRG4  | ACTIVE        | SOT-23       | DBZ             | 3    | 3000        | Green (RoHS & no Sb/Br) | CU NIPDAU               | Level-1-260C-UNLIM   | 0 to 70      | (Y2ES ~ Y2EU)           | <a href="#">Samples</a> |
| TLVH432ACDBZT    | ACTIVE        | SOT-23       | DBZ             | 3    | 250         | Green (RoHS & no Sb/Br) | CU NIPDAU               | Level-1-260C-UNLIM   | 0 to 70      | (Y2ES ~ Y2EU)           | <a href="#">Samples</a> |
| TLVH432ACDBZTG4  | ACTIVE        | SOT-23       | DBZ             | 3    | 250         | Green (RoHS & no Sb/Br) | CU NIPDAU               | Level-1-260C-UNLIM   | 0 to 70      | (Y2ES ~ Y2EU)           | <a href="#">Samples</a> |
| TLVH432AIDBZR    | ACTIVE        | SOT-23       | DBZ             | 3    | 3000        | Green (RoHS & no Sb/Br) | CU NIPDAU               | Level-1-260C-UNLIM   | -40 to 85    | (Y2FS ~ Y2FU)           | <a href="#">Samples</a> |
| TLVH432AIDBZRG4  | ACTIVE        | SOT-23       | DBZ             | 3    | 3000        | Green (RoHS & no Sb/Br) | CU NIPDAU               | Level-1-260C-UNLIM   | -40 to 85    | (Y2FS ~ Y2FU)           | <a href="#">Samples</a> |
| TLVH432AIPK      | ACTIVE        | SOT-89       | PK              | 3    | 1000        | Green (RoHS & no Sb/Br) | CU SN                   | Level-2-260C-1 YEAR  | -40 to 85    | VL                      | <a href="#">Samples</a> |
| TLVH432AIPKG3    | ACTIVE        | SOT-89       | PK              | 3    | 1000        | Green (RoHS & no Sb/Br) | CU SN                   | Level-2-260C-1 YEAR  | -40 to 85    | VL                      | <a href="#">Samples</a> |
| TLVH432AQDBZR    | ACTIVE        | SOT-23       | DBZ             | 3    | 3000        | Green (RoHS & no Sb/Br) | CU NIPDAU               | Level-1-260C-UNLIM   | -40 to 125   | (Y2GS ~ Y2GU)           | <a href="#">Samples</a> |
| TLVH432AQDBZRG4  | ACTIVE        | SOT-23       | DBZ             | 3    | 3000        | Green (RoHS & no Sb/Br) | CU NIPDAU               | Level-1-260C-UNLIM   | -40 to 125   | (Y2GS ~ Y2GU)           | <a href="#">Samples</a> |
| TLVH432AQDBZT    | ACTIVE        | SOT-23       | DBZ             | 3    | 250         | Green (RoHS & no Sb/Br) | CU NIPDAU               | Level-1-260C-UNLIM   | -40 to 125   | (Y2GS ~ Y2GU)           | <a href="#">Samples</a> |
| TLVH432AQDBZTG4  | ACTIVE        | SOT-23       | DBZ             | 3    | 250         | Green (RoHS & no Sb/Br) | CU NIPDAU               | Level-1-260C-UNLIM   | -40 to 125   | (Y2GS ~ Y2GU)           | <a href="#">Samples</a> |
| TLVH432BCDBZR    | ACTIVE        | SOT-23       | DBZ             | 3    | 3000        | Green (RoHS & no Sb/Br) | CU NIPDAU               | Level-1-260C-UNLIM   | 0 to 70      | (Y2HS ~ Y2HU)           | <a href="#">Samples</a> |
| TLVH432BCDBZRG4  | ACTIVE        | SOT-23       | DBZ             | 3    | 3000        | Green (RoHS & no Sb/Br) | CU NIPDAU               | Level-1-260C-UNLIM   | 0 to 70      | (Y2HS ~ Y2HU)           | <a href="#">Samples</a> |
| TLVH432BCPK      | ACTIVE        | SOT-89       | PK              | 3    | 1000        | Green (RoHS & no Sb/Br) | CU SN                   | Level-2-260C-1 YEAR  | 0 to 70      | VN                      | <a href="#">Samples</a> |
| TLVH432BCPKG3    | ACTIVE        | SOT-89       | PK              | 3    | 1000        | Green (RoHS & no Sb/Br) | CU SN                   | Level-2-260C-1 YEAR  | 0 to 70      | VN                      | <a href="#">Samples</a> |

| Orderable Device | Status<br>(1) | Package Type | Package Drawing | Pins | Package Qty | Eco Plan<br>(2)         | Lead/Ball Finish<br>(6) | MSL Peak Temp<br>(3) | Op Temp (°C) | Device Marking<br>(4/5) | Samples                 |
|------------------|---------------|--------------|-----------------|------|-------------|-------------------------|-------------------------|----------------------|--------------|-------------------------|-------------------------|
| TLVH432BIDBZR    | ACTIVE        | SOT-23       | DBZ             | 3    | 3000        | Green (RoHS & no Sb/Br) | CU NIPDAU               | Level-1-260C-UNLIM   | -40 to 85    | (Y2JS ~ Y2JU)           | <a href="#">Samples</a> |
| TLVH432BIDBZRG4  | ACTIVE        | SOT-23       | DBZ             | 3    | 3000        | Green (RoHS & no Sb/Br) | CU NIPDAU               | Level-1-260C-UNLIM   | -40 to 85    | (Y2JS ~ Y2JU)           | <a href="#">Samples</a> |
| TLVH432BQDBZR    | ACTIVE        | SOT-23       | DBZ             | 3    | 3000        | Green (RoHS & no Sb/Br) | CU NIPDAU               | Level-1-260C-UNLIM   | -40 to 125   | (Y2KS ~ Y2KU)           | <a href="#">Samples</a> |
| TLVH432BQDBZRG4  | ACTIVE        | SOT-23       | DBZ             | 3    | 3000        | Green (RoHS & no Sb/Br) | CU NIPDAU               | Level-1-260C-UNLIM   | -40 to 125   | (Y2KS ~ Y2KU)           | <a href="#">Samples</a> |
| TLVH432BQDBZT    | ACTIVE        | SOT-23       | DBZ             | 3    | 250         | Green (RoHS & no Sb/Br) | CU NIPDAU               | Level-1-260C-UNLIM   | -40 to 125   | (Y2KS ~ Y2KU)           | <a href="#">Samples</a> |
| TLVH432BQDBZTG4  | ACTIVE        | SOT-23       | DBZ             | 3    | 250         | Green (RoHS & no Sb/Br) | CU NIPDAU               | Level-1-260C-UNLIM   | -40 to 125   | (Y2KS ~ Y2KU)           | <a href="#">Samples</a> |
| TLVH432CDBZR     | ACTIVE        | SOT-23       | DBZ             | 3    | 3000        | Green (RoHS & no Sb/Br) | CU NIPDAU               | Level-1-260C-UNLIM   | 0 to 70      | (Y2AS ~ Y2AU)           | <a href="#">Samples</a> |
| TLVH432CDBZRG4   | ACTIVE        | SOT-23       | DBZ             | 3    | 3000        | Green (RoHS & no Sb/Br) | CU NIPDAU               | Level-1-260C-UNLIM   | 0 to 70      | (Y2AS ~ Y2AU)           | <a href="#">Samples</a> |
| TLVH432CDBZT     | ACTIVE        | SOT-23       | DBZ             | 3    | 250         | Green (RoHS & no Sb/Br) | CU NIPDAU               | Level-1-260C-UNLIM   | 0 to 70      | (Y2AS ~ Y2AU)           | <a href="#">Samples</a> |
| TLVH432CDBZTG4   | ACTIVE        | SOT-23       | DBZ             | 3    | 250         | Green (RoHS & no Sb/Br) | CU NIPDAU               | Level-1-260C-UNLIM   | 0 to 70      | (Y2AS ~ Y2AU)           | <a href="#">Samples</a> |
| TLVH432CPK       | ACTIVE        | SOT-89       | PK              | 3    | 1000        | Green (RoHS & no Sb/Br) | CU SN                   | Level-2-260C-1 YEAR  | 0 to 70      | VG                      | <a href="#">Samples</a> |
| TLVH432CPKG3     | ACTIVE        | SOT-89       | PK              | 3    | 1000        | Green (RoHS & no Sb/Br) | CU SN                   | Level-2-260C-1 YEAR  | 0 to 70      | VG                      | <a href="#">Samples</a> |
| TLVH432IDBZR     | ACTIVE        | SOT-23       | DBZ             | 3    | 3000        | Green (RoHS & no Sb/Br) | CU NIPDAU               | Level-1-260C-UNLIM   | -40 to 85    | (Y2BS ~ Y2BU)           | <a href="#">Samples</a> |
| TLVH432IDBZRG4   | ACTIVE        | SOT-23       | DBZ             | 3    | 3000        | Green (RoHS & no Sb/Br) | CU NIPDAU               | Level-1-260C-UNLIM   | -40 to 85    | (Y2BS ~ Y2BU)           | <a href="#">Samples</a> |
| TLVH432QDBZR     | ACTIVE        | SOT-23       | DBZ             | 3    | 3000        | Green (RoHS & no Sb/Br) | CU NIPDAU               | Level-1-260C-UNLIM   | -40 to 125   | (Y2DS ~ Y2DU)           | <a href="#">Samples</a> |
| TLVH432QDBZRG4   | ACTIVE        | SOT-23       | DBZ             | 3    | 3000        | Green (RoHS & no Sb/Br) | CU NIPDAU               | Level-1-260C-UNLIM   | -40 to 125   | (Y2DS ~ Y2DU)           | <a href="#">Samples</a> |
| TLVH432QDBZT     | ACTIVE        | SOT-23       | DBZ             | 3    | 250         | Green (RoHS & no Sb/Br) | CU NIPDAU               | Level-1-260C-UNLIM   | -40 to 125   | (Y2DS ~ Y2DU)           | <a href="#">Samples</a> |
| TLVH432QDBZTG4   | ACTIVE        | SOT-23       | DBZ             | 3    | 250         | Green (RoHS & no Sb/Br) | CU NIPDAU               | Level-1-260C-UNLIM   | -40 to 125   | (Y2DS ~ Y2DU)           | <a href="#">Samples</a> |

| Orderable Device | Status<br>(1) | Package Type | Package<br>Drawing | Pins | Package<br>Qty | Eco Plan<br>(2)            | Lead/Ball Finish<br>(6) | MSL Peak Temp<br>(3) | Op Temp (°C) | Device Marking<br>(4/5) | Samples   |
|------------------|---------------|--------------|--------------------|------|----------------|----------------------------|-------------------------|----------------------|--------------|-------------------------|---|
| TLVH432QPK       | ACTIVE        | SOT-89       | PK                 | 3    | 1000           | Green (RoHS<br>& no Sb/Br) | CU SN                   | Level-2-260C-1 YEAR  | -40 to 125   | VJ                      |  |
| TLVH432QPKG3     | ACTIVE        | SOT-89       | PK                 | 3    | 1000           | Green (RoHS<br>& no Sb/Br) | CU SN                   | Level-2-260C-1 YEAR  | -40 to 125   | VJ                      |  |

(1) The marketing status values are defined as follows:

**ACTIVE:** Product device recommended for new designs.

**LIFEBUY:** TI has announced that the device will be discontinued, and a lifetime-buy period is in effect.

**NRND:** Not recommended for new designs. Device is in production to support existing customers, but TI does not recommend using this part in a new design.

**PREVIEW:** Device has been announced but is not in production. Samples may or may not be available.

**OBSOLETE:** TI has discontinued the production of the device.

(2) Eco Plan - The planned eco-friendly classification: Pb-Free (RoHS), Pb-Free (RoHS Exempt), or Green (RoHS & no Sb/Br) - please check <http://www.ti.com/productcontent> for the latest availability information and additional product content details.

**TBD:** The Pb-Free/Green conversion plan has not been defined.

**Pb-Free (RoHS):** TI's terms "Lead-Free" or "Pb-Free" mean semiconductor products that are compatible with the current RoHS requirements for all 6 substances, including the requirement that lead not exceed 0.1% by weight in homogeneous materials. Where designed to be soldered at high temperatures, TI Pb-Free products are suitable for use in specified lead-free processes.

**Pb-Free (RoHS Exempt):** This component has a RoHS exemption for either 1) lead-based flip-chip solder bumps used between the die and package, or 2) lead-based die adhesive used between the die and leadframe. The component is otherwise considered Pb-Free (RoHS compatible) as defined above.

**Green (RoHS & no Sb/Br):** TI defines "Green" to mean Pb-Free (RoHS compatible), and free of Bromine (Br) and Antimony (Sb) based flame retardants (Br or Sb do not exceed 0.1% by weight in homogeneous material)

(3) MSL, Peak Temp. - The Moisture Sensitivity Level rating according to the JEDEC industry standard classifications, and peak solder temperature.

(4) There may be additional marking, which relates to the logo, the lot trace code information, or the environmental category on the device.

(5) Multiple Device Markings will be inside parentheses. Only one Device Marking contained in parentheses and separated by a "~" will appear on a device. If a line is indented then it is a continuation of the previous line and the two combined represent the entire Device Marking for that device.

(6) Lead/Ball Finish - Orderable Devices may have multiple material finish options. Finish options are separated by a vertical ruled line. Lead/Ball Finish values may wrap to two lines if the finish value exceeds the maximum column width.

**Important Information and Disclaimer:** The information provided on this page represents TI's knowledge and belief as of the date that it is provided. TI bases its knowledge and belief on information provided by third parties, and makes no representation or warranty as to the accuracy of such information. Efforts are underway to better integrate information from third parties. TI has taken and continues to take reasonable steps to provide representative and accurate information but may not have conducted destructive testing or chemical analysis on incoming materials and chemicals. TI and TI suppliers consider certain information to be proprietary, and thus CAS numbers and other limited information may not be available for release.

In no event shall TI's liability arising out of such information exceed the total purchase price of the TI part(s) at issue in this document sold by TI to Customer on an annual basis.

**OTHER QUALIFIED VERSIONS OF TLVH431A, TLVH431B :**

- Automotive: [TLVH431A-Q1](#), [TLVH431B-Q1](#)

## NOTE: Qualified Version Definitions:

- Automotive - Q100 devices qualified for high-reliability automotive applications targeting zero defects

## TAPE AND REEL INFORMATION



### QUADRANT ASSIGNMENTS FOR PIN 1 ORIENTATION IN TAPE



\*All dimensions are nominal

| Device        | Package Type | Package Drawing | Pins | SPQ  | Reel Diameter (mm) | Reel Width W1 (mm) | A0 (mm) | B0 (mm) | K0 (mm) | P1 (mm) | W (mm) | Pin1 Quadrant |
|---------------|--------------|-----------------|------|------|--------------------|--------------------|---------|---------|---------|---------|--------|---------------|
| TLVH431ACDBVR | SOT-23       | DBV             | 5    | 3000 | 178.0              | 9.0                | 3.23    | 3.17    | 1.37    | 4.0     | 8.0    | Q3            |
| TLVH431ACDBVR | SOT-23       | DBV             | 5    | 3000 | 179.0              | 8.4                | 3.2     | 3.2     | 1.4     | 4.0     | 8.0    | Q3            |
| TLVH431ACDBVT | SOT-23       | DBV             | 5    | 250  | 178.0              | 9.0                | 3.23    | 3.17    | 1.37    | 4.0     | 8.0    | Q3            |
| TLVH431ACDBZR | SOT-23       | DBZ             | 3    | 3000 | 180.0              | 8.4                | 3.15    | 2.77    | 1.22    | 4.0     | 8.0    | Q3            |
| TLVH431ACDBZT | SOT-23       | DBZ             | 3    | 250  | 179.0              | 8.4                | 3.15    | 2.95    | 1.22    | 4.0     | 8.0    | Q3            |
| TLVH431ACDCKR | SC70         | DCK             | 6    | 3000 | 179.0              | 8.4                | 2.2     | 2.5     | 1.2     | 4.0     | 8.0    | Q3            |
| TLVH431ACDCKT | SC70         | DCK             | 6    | 250  | 179.0              | 8.4                | 2.2     | 2.5     | 1.2     | 4.0     | 8.0    | Q3            |
| TLVH431ACPK   | SOT-89       | PK              | 3    | 1000 | 180.0              | 12.4               | 4.91    | 4.52    | 1.9     | 8.0     | 12.0   | Q3            |
| TLVH431AIDBVR | SOT-23       | DBV             | 5    | 3000 | 179.0              | 8.4                | 3.2     | 3.2     | 1.4     | 4.0     | 8.0    | Q3            |
| TLVH431AIDBVT | SOT-23       | DBV             | 5    | 250  | 179.0              | 8.4                | 3.2     | 3.2     | 1.4     | 4.0     | 8.0    | Q3            |
| TLVH431AIDBZR | SOT-23       | DBZ             | 3    | 3000 | 180.0              | 8.4                | 3.15    | 2.77    | 1.22    | 4.0     | 8.0    | Q3            |
| TLVH431AIDBZT | SOT-23       | DBZ             | 3    | 250  | 179.0              | 8.4                | 3.15    | 2.95    | 1.22    | 4.0     | 8.0    | Q3            |
| TLVH431AIDCKR | SC70         | DCK             | 6    | 3000 | 179.0              | 8.4                | 2.2     | 2.5     | 1.2     | 4.0     | 8.0    | Q3            |
| TLVH431AIDCKT | SC70         | DCK             | 6    | 250  | 179.0              | 8.4                | 2.2     | 2.5     | 1.2     | 4.0     | 8.0    | Q3            |
| TLVH431AIPK   | SOT-89       | PK              | 3    | 1000 | 180.0              | 12.4               | 4.91    | 4.52    | 1.9     | 8.0     | 12.0   | Q3            |
| TLVH431AQDBVR | SOT-23       | DBV             | 5    | 3000 | 179.0              | 8.4                | 3.2     | 3.2     | 1.4     | 4.0     | 8.0    | Q3            |
| TLVH431AQDBVT | SOT-23       | DBV             | 5    | 250  | 179.0              | 8.4                | 3.2     | 3.2     | 1.4     | 4.0     | 8.0    | Q3            |
| TLVH431AQDBZR | SOT-23       | DBZ             | 3    | 3000 | 180.0              | 8.4                | 3.15    | 2.77    | 1.22    | 4.0     | 8.0    | Q3            |

| Device        | Package Type | Package Drawing | Pins | SPQ  | Reel Diameter (mm) | Reel Width W1 (mm) | A0 (mm) | B0 (mm) | K0 (mm) | P1 (mm) | W (mm) | Pin1 Quadrant |
|---------------|--------------|-----------------|------|------|--------------------|--------------------|---------|---------|---------|---------|--------|---------------|
| TLVH431AQDBZT | SOT-23       | DBZ             | 3    | 250  | 179.0              | 8.4                | 3.15    | 2.95    | 1.22    | 4.0     | 8.0    | Q3            |
| TLVH431AQDCKR | SC70         | DCK             | 6    | 3000 | 179.0              | 8.4                | 2.2     | 2.5     | 1.2     | 4.0     | 8.0    | Q3            |
| TLVH431AQDCKT | SC70         | DCK             | 6    | 250  | 179.0              | 8.4                | 2.2     | 2.5     | 1.2     | 4.0     | 8.0    | Q3            |
| TLVH431AQPK   | SOT-89       | PK              | 3    | 1000 | 180.0              | 12.4               | 4.91    | 4.52    | 1.9     | 8.0     | 12.0   | Q3            |
| TLVH431BCDBVR | SOT-23       | DBV             | 5    | 3000 | 179.0              | 8.4                | 3.2     | 3.2     | 1.4     | 4.0     | 8.0    | Q3            |
| TLVH431BCDBVT | SOT-23       | DBV             | 5    | 250  | 179.0              | 8.4                | 3.2     | 3.2     | 1.4     | 4.0     | 8.0    | Q3            |
| TLVH431BCDBZR | SOT-23       | DBZ             | 3    | 3000 | 179.0              | 8.4                | 3.15    | 2.95    | 1.22    | 4.0     | 8.0    | Q3            |
| TLVH431BCDBZT | SOT-23       | DBZ             | 3    | 250  | 179.0              | 8.4                | 3.15    | 2.95    | 1.22    | 4.0     | 8.0    | Q3            |
| TLVH431BCDCKR | SC70         | DCK             | 6    | 3000 | 179.0              | 8.4                | 2.2     | 2.5     | 1.2     | 4.0     | 8.0    | Q3            |
| TLVH431BCDCKT | SC70         | DCK             | 6    | 250  | 179.0              | 8.4                | 2.2     | 2.5     | 1.2     | 4.0     | 8.0    | Q3            |
| TLVH431BCPK   | SOT-89       | PK              | 3    | 1000 | 180.0              | 12.4               | 4.91    | 4.52    | 1.9     | 8.0     | 12.0   | Q3            |
| TLVH431BIDBVR | SOT-23       | DBV             | 5    | 3000 | 179.0              | 8.4                | 3.2     | 3.2     | 1.4     | 4.0     | 8.0    | Q3            |
| TLVH431BIDBVT | SOT-23       | DBV             | 5    | 250  | 179.0              | 8.4                | 3.2     | 3.2     | 1.4     | 4.0     | 8.0    | Q3            |
| TLVH431BIDBZR | SOT-23       | DBZ             | 3    | 3000 | 180.0              | 8.4                | 3.15    | 2.77    | 1.22    | 4.0     | 8.0    | Q3            |
| TLVH431BIDBZT | SOT-23       | DBZ             | 3    | 250  | 180.0              | 8.4                | 3.15    | 2.77    | 1.22    | 4.0     | 8.0    | Q3            |
| TLVH431BIDCKR | SC70         | DCK             | 6    | 3000 | 179.0              | 8.4                | 2.2     | 2.5     | 1.2     | 4.0     | 8.0    | Q3            |
| TLVH431BIDCKT | SC70         | DCK             | 6    | 250  | 179.0              | 8.4                | 2.2     | 2.5     | 1.2     | 4.0     | 8.0    | Q3            |
| TLVH431BIPK   | SOT-89       | PK              | 3    | 1000 | 180.0              | 12.4               | 4.91    | 4.52    | 1.9     | 8.0     | 12.0   | Q3            |
| TLVH431BQDBVR | SOT-23       | DBV             | 5    | 3000 | 179.0              | 8.4                | 3.2     | 3.2     | 1.4     | 4.0     | 8.0    | Q3            |
| TLVH431BQDBVT | SOT-23       | DBV             | 5    | 250  | 179.0              | 8.4                | 3.2     | 3.2     | 1.4     | 4.0     | 8.0    | Q3            |
| TLVH431BQDBZR | SOT-23       | DBZ             | 3    | 3000 | 180.0              | 8.4                | 3.15    | 2.77    | 1.22    | 4.0     | 8.0    | Q3            |
| TLVH431BQDBZT | SOT-23       | DBZ             | 3    | 250  | 179.0              | 8.4                | 3.15    | 2.95    | 1.22    | 4.0     | 8.0    | Q3            |
| TLVH431BQDCKR | SC70         | DCK             | 6    | 3000 | 179.0              | 8.4                | 2.2     | 2.5     | 1.2     | 4.0     | 8.0    | Q3            |
| TLVH431BQDCKT | SC70         | DCK             | 6    | 250  | 179.0              | 8.4                | 2.2     | 2.5     | 1.2     | 4.0     | 8.0    | Q3            |
| TLVH431BQPK   | SOT-89       | PK              | 3    | 1000 | 180.0              | 12.4               | 4.91    | 4.52    | 1.9     | 8.0     | 12.0   | Q3            |
| TLVH431CDBVR  | SOT-23       | DBV             | 5    | 3000 | 179.0              | 8.4                | 3.2     | 3.2     | 1.4     | 4.0     | 8.0    | Q3            |
| TLVH431CDBVT  | SOT-23       | DBV             | 5    | 250  | 179.0              | 8.4                | 3.2     | 3.2     | 1.4     | 4.0     | 8.0    | Q3            |
| TLVH431CDBZR  | SOT-23       | DBZ             | 3    | 3000 | 180.0              | 8.4                | 3.15    | 2.77    | 1.22    | 4.0     | 8.0    | Q3            |
| TLVH431CDBZT  | SOT-23       | DBZ             | 3    | 250  | 179.0              | 8.4                | 3.15    | 2.95    | 1.22    | 4.0     | 8.0    | Q3            |
| TLVH431CDCKR  | SC70         | DCK             | 6    | 3000 | 179.0              | 8.4                | 2.2     | 2.5     | 1.2     | 4.0     | 8.0    | Q3            |
| TLVH431CDCKT  | SC70         | DCK             | 6    | 250  | 179.0              | 8.4                | 2.2     | 2.5     | 1.2     | 4.0     | 8.0    | Q3            |
| TLVH431CPK    | SOT-89       | PK              | 3    | 1000 | 180.0              | 12.4               | 4.91    | 4.52    | 1.9     | 8.0     | 12.0   | Q3            |
| TLVH431IDBVR  | SOT-23       | DBV             | 5    | 3000 | 179.0              | 8.4                | 3.2     | 3.2     | 1.4     | 4.0     | 8.0    | Q3            |
| TLVH431IDBVT  | SOT-23       | DBV             | 5    | 250  | 179.0              | 8.4                | 3.2     | 3.2     | 1.4     | 4.0     | 8.0    | Q3            |
| TLVH431IDBZR  | SOT-23       | DBZ             | 3    | 3000 | 179.0              | 8.4                | 3.15    | 2.95    | 1.22    | 4.0     | 8.0    | Q3            |
| TLVH431IDBZT  | SOT-23       | DBZ             | 3    | 250  | 179.0              | 8.4                | 3.15    | 2.95    | 1.22    | 4.0     | 8.0    | Q3            |
| TLVH431IDCKR  | SC70         | DCK             | 6    | 3000 | 179.0              | 8.4                | 2.2     | 2.5     | 1.2     | 4.0     | 8.0    | Q3            |
| TLVH431IDCKT  | SC70         | DCK             | 6    | 250  | 179.0              | 8.4                | 2.2     | 2.5     | 1.2     | 4.0     | 8.0    | Q3            |
| TLVH431IPK    | SOT-89       | PK              | 3    | 1000 | 180.0              | 12.4               | 4.91    | 4.52    | 1.9     | 8.0     | 12.0   | Q3            |
| TLVH431QDBVR  | SOT-23       | DBV             | 5    | 3000 | 179.0              | 8.4                | 3.2     | 3.2     | 1.4     | 4.0     | 8.0    | Q3            |
| TLVH431QDBVT  | SOT-23       | DBV             | 5    | 250  | 179.0              | 8.4                | 3.2     | 3.2     | 1.4     | 4.0     | 8.0    | Q3            |
| TLVH431QDBZR  | SOT-23       | DBZ             | 3    | 3000 | 180.0              | 8.4                | 3.15    | 2.77    | 1.22    | 4.0     | 8.0    | Q3            |
| TLVH431QDBZT  | SOT-23       | DBZ             | 3    | 250  | 179.0              | 8.4                | 3.15    | 2.95    | 1.22    | 4.0     | 8.0    | Q3            |

| Device        | Package Type | Package Drawing | Pins | SPQ  | Reel Diameter (mm) | Reel Width W1 (mm) | A0 (mm) | B0 (mm) | K0 (mm) | P1 (mm) | W (mm) | Pin1 Quadrant |
|---------------|--------------|-----------------|------|------|--------------------|--------------------|---------|---------|---------|---------|--------|---------------|
| TLVH431QDCKR  | SC70         | DCK             | 6    | 3000 | 179.0              | 8.4                | 2.2     | 2.5     | 1.2     | 4.0     | 8.0    | Q3            |
| TLVH431QDCKT  | SC70         | DCK             | 6    | 250  | 179.0              | 8.4                | 2.2     | 2.5     | 1.2     | 4.0     | 8.0    | Q3            |
| TLVH431QPK    | SOT-89       | PK              | 3    | 1000 | 180.0              | 12.4               | 4.91    | 4.52    | 1.9     | 8.0     | 12.0   | Q3            |
| TLVH432ACDBZR | SOT-23       | DBZ             | 3    | 3000 | 179.0              | 8.4                | 3.15    | 2.95    | 1.22    | 4.0     | 8.0    | Q3            |
| TLVH432ACDBZT | SOT-23       | DBZ             | 3    | 250  | 179.0              | 8.4                | 3.15    | 2.95    | 1.22    | 4.0     | 8.0    | Q3            |
| TLVH432AIDBZR | SOT-23       | DBZ             | 3    | 3000 | 180.0              | 8.4                | 3.15    | 2.77    | 1.22    | 4.0     | 8.0    | Q3            |
| TLVH432AIPK   | SOT-89       | PK              | 3    | 1000 | 180.0              | 12.4               | 4.91    | 4.52    | 1.9     | 8.0     | 12.0   | Q3            |
| TLVH432AQDBZR | SOT-23       | DBZ             | 3    | 3000 | 179.0              | 8.4                | 3.15    | 2.95    | 1.22    | 4.0     | 8.0    | Q3            |
| TLVH432AQDBZT | SOT-23       | DBZ             | 3    | 250  | 179.0              | 8.4                | 3.15    | 2.95    | 1.22    | 4.0     | 8.0    | Q3            |
| TLVH432BCDBZR | SOT-23       | DBZ             | 3    | 3000 | 179.0              | 8.4                | 3.15    | 2.95    | 1.22    | 4.0     | 8.0    | Q3            |
| TLVH432BCPK   | SOT-89       | PK              | 3    | 1000 | 180.0              | 12.4               | 4.91    | 4.52    | 1.9     | 8.0     | 12.0   | Q3            |
| TLVH432BIDBZR | SOT-23       | DBZ             | 3    | 3000 | 179.0              | 8.4                | 3.15    | 2.95    | 1.22    | 4.0     | 8.0    | Q3            |
| TLVH432BQDBZR | SOT-23       | DBZ             | 3    | 3000 | 179.0              | 8.4                | 3.15    | 2.95    | 1.22    | 4.0     | 8.0    | Q3            |
| TLVH432BQDBZT | SOT-23       | DBZ             | 3    | 250  | 180.0              | 8.4                | 3.15    | 2.77    | 1.22    | 4.0     | 8.0    | Q3            |
| TLVH432CDBZR  | SOT-23       | DBZ             | 3    | 3000 | 179.0              | 8.4                | 3.15    | 2.95    | 1.22    | 4.0     | 8.0    | Q3            |
| TLVH432CDBZT  | SOT-23       | DBZ             | 3    | 250  | 179.0              | 8.4                | 3.15    | 2.95    | 1.22    | 4.0     | 8.0    | Q3            |
| TLVH432CPK    | SOT-89       | PK              | 3    | 1000 | 180.0              | 12.4               | 4.91    | 4.52    | 1.9     | 8.0     | 12.0   | Q3            |
| TLVH432IDBZR  | SOT-23       | DBZ             | 3    | 3000 | 179.0              | 8.4                | 3.15    | 2.95    | 1.22    | 4.0     | 8.0    | Q3            |
| TLVH432QDBZR  | SOT-23       | DBZ             | 3    | 3000 | 179.0              | 8.4                | 3.15    | 2.95    | 1.22    | 4.0     | 8.0    | Q3            |
| TLVH432QDBZT  | SOT-23       | DBZ             | 3    | 250  | 179.0              | 8.4                | 3.15    | 2.95    | 1.22    | 4.0     | 8.0    | Q3            |
| TLVH432QPK    | SOT-89       | PK              | 3    | 1000 | 180.0              | 12.4               | 4.91    | 4.52    | 1.9     | 8.0     | 12.0   | Q3            |



**TAPE AND REEL BOX DIMENSIONS**


\*All dimensions are nominal

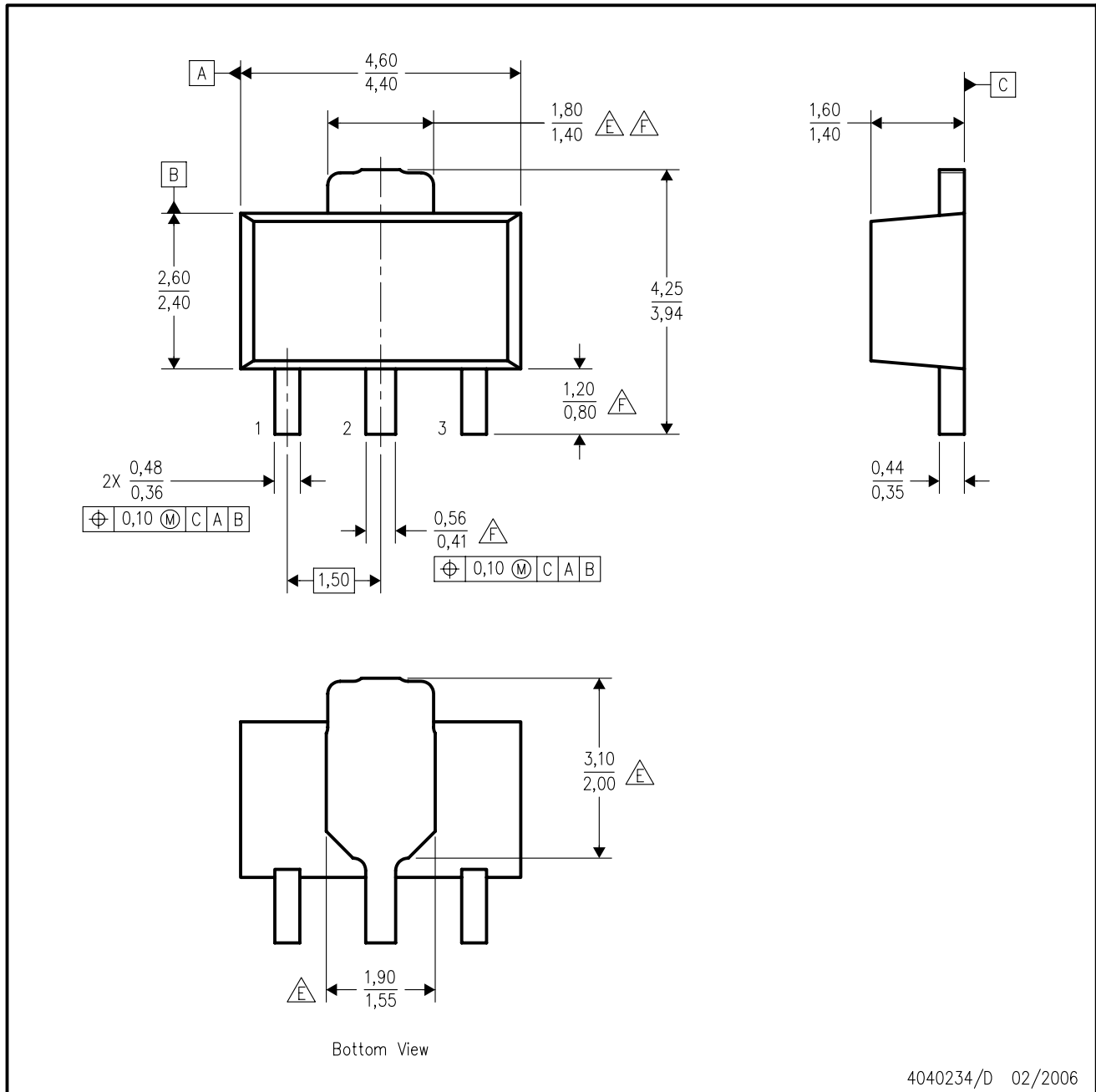
| Device        | Package Type | Package Drawing | Pins | SPQ  | Length (mm) | Width (mm) | Height (mm) |
|---------------|--------------|-----------------|------|------|-------------|------------|-------------|
| TLVH431ACDBVR | SOT-23       | DBV             | 5    | 3000 | 180.0       | 180.0      | 18.0        |
| TLVH431ACDBVR | SOT-23       | DBV             | 5    | 3000 | 203.0       | 203.0      | 35.0        |
| TLVH431ACDBVT | SOT-23       | DBV             | 5    | 250  | 180.0       | 180.0      | 18.0        |
| TLVH431ACDBZR | SOT-23       | DBZ             | 3    | 3000 | 202.0       | 201.0      | 28.0        |
| TLVH431ACDBZT | SOT-23       | DBZ             | 3    | 250  | 203.0       | 203.0      | 35.0        |
| TLVH431ACDCKR | SC70         | DCK             | 6    | 3000 | 203.0       | 203.0      | 35.0        |
| TLVH431ACDCKT | SC70         | DCK             | 6    | 250  | 203.0       | 203.0      | 35.0        |
| TLVH431ACPK   | SOT-89       | PK              | 3    | 1000 | 340.0       | 340.0      | 38.0        |
| TLVH431AIDBVR | SOT-23       | DBV             | 5    | 3000 | 203.0       | 203.0      | 35.0        |
| TLVH431AIDBVT | SOT-23       | DBV             | 5    | 250  | 203.0       | 203.0      | 35.0        |
| TLVH431AIDBZR | SOT-23       | DBZ             | 3    | 3000 | 202.0       | 201.0      | 28.0        |
| TLVH431AIDBZT | SOT-23       | DBZ             | 3    | 250  | 203.0       | 203.0      | 35.0        |
| TLVH431AIDCKR | SC70         | DCK             | 6    | 3000 | 203.0       | 203.0      | 35.0        |
| TLVH431AIDCKT | SC70         | DCK             | 6    | 250  | 203.0       | 203.0      | 35.0        |
| TLVH431AIPK   | SOT-89       | PK              | 3    | 1000 | 340.0       | 340.0      | 38.0        |
| TLVH431AQDBVR | SOT-23       | DBV             | 5    | 3000 | 203.0       | 203.0      | 35.0        |
| TLVH431AQDBVT | SOT-23       | DBV             | 5    | 250  | 203.0       | 203.0      | 35.0        |
| TLVH431AQDBZR | SOT-23       | DBZ             | 3    | 3000 | 202.0       | 201.0      | 28.0        |
| TLVH431AQDBZT | SOT-23       | DBZ             | 3    | 250  | 203.0       | 203.0      | 35.0        |
| TLVH431AQDCKR | SC70         | DCK             | 6    | 3000 | 203.0       | 203.0      | 35.0        |

| Device        | Package Type | Package Drawing | Pins | SPQ  | Length (mm) | Width (mm) | Height (mm) |
|---------------|--------------|-----------------|------|------|-------------|------------|-------------|
| TLVH431AQDCKT | SC70         | DCK             | 6    | 250  | 203.0       | 203.0      | 35.0        |
| TLVH431AQPK   | SOT-89       | PK              | 3    | 1000 | 340.0       | 340.0      | 38.0        |
| TLVH431BCDBVR | SOT-23       | DBV             | 5    | 3000 | 203.0       | 203.0      | 35.0        |
| TLVH431BCDBVT | SOT-23       | DBV             | 5    | 250  | 203.0       | 203.0      | 35.0        |
| TLVH431BCDBZR | SOT-23       | DBZ             | 3    | 3000 | 203.0       | 203.0      | 35.0        |
| TLVH431BCDBZT | SOT-23       | DBZ             | 3    | 250  | 203.0       | 203.0      | 35.0        |
| TLVH431BCDCKR | SC70         | DCK             | 6    | 3000 | 203.0       | 203.0      | 35.0        |
| TLVH431BCDCKT | SC70         | DCK             | 6    | 250  | 203.0       | 203.0      | 35.0        |
| TLVH431BCPK   | SOT-89       | PK              | 3    | 1000 | 340.0       | 340.0      | 38.0        |
| TLVH431BIDBVR | SOT-23       | DBV             | 5    | 3000 | 203.0       | 203.0      | 35.0        |
| TLVH431BIDBVT | SOT-23       | DBV             | 5    | 250  | 203.0       | 203.0      | 35.0        |
| TLVH431BIDBZR | SOT-23       | DBZ             | 3    | 3000 | 202.0       | 201.0      | 28.0        |
| TLVH431BIDBZT | SOT-23       | DBZ             | 3    | 250  | 202.0       | 201.0      | 28.0        |
| TLVH431BIDCKR | SC70         | DCK             | 6    | 3000 | 203.0       | 203.0      | 35.0        |
| TLVH431BIDCKT | SC70         | DCK             | 6    | 250  | 203.0       | 203.0      | 35.0        |
| TLVH431BIPK   | SOT-89       | PK              | 3    | 1000 | 340.0       | 340.0      | 38.0        |
| TLVH431BQDBVR | SOT-23       | DBV             | 5    | 3000 | 203.0       | 203.0      | 35.0        |
| TLVH431BQDBVT | SOT-23       | DBV             | 5    | 250  | 203.0       | 203.0      | 35.0        |
| TLVH431BQDBZR | SOT-23       | DBZ             | 3    | 3000 | 202.0       | 201.0      | 28.0        |
| TLVH431BQDBZT | SOT-23       | DBZ             | 3    | 250  | 203.0       | 203.0      | 35.0        |
| TLVH431BQDCKR | SC70         | DCK             | 6    | 3000 | 203.0       | 203.0      | 35.0        |
| TLVH431BQDCKT | SC70         | DCK             | 6    | 250  | 203.0       | 203.0      | 35.0        |
| TLVH431BQPK   | SOT-89       | PK              | 3    | 1000 | 340.0       | 340.0      | 38.0        |
| TLVH431CDBVR  | SOT-23       | DBV             | 5    | 3000 | 203.0       | 203.0      | 35.0        |
| TLVH431CDBVT  | SOT-23       | DBV             | 5    | 250  | 203.0       | 203.0      | 35.0        |
| TLVH431CDBZR  | SOT-23       | DBZ             | 3    | 3000 | 202.0       | 201.0      | 28.0        |
| TLVH431CDBZT  | SOT-23       | DBZ             | 3    | 250  | 203.0       | 203.0      | 35.0        |
| TLVH431CDCKR  | SC70         | DCK             | 6    | 3000 | 203.0       | 203.0      | 35.0        |
| TLVH431CDCKT  | SC70         | DCK             | 6    | 250  | 203.0       | 203.0      | 35.0        |
| TLVH431CPK    | SOT-89       | PK              | 3    | 1000 | 340.0       | 340.0      | 38.0        |
| TLVH431IDBVR  | SOT-23       | DBV             | 5    | 3000 | 203.0       | 203.0      | 35.0        |
| TLVH431IDBVT  | SOT-23       | DBV             | 5    | 250  | 203.0       | 203.0      | 35.0        |
| TLVH431IDBZR  | SOT-23       | DBZ             | 3    | 3000 | 203.0       | 203.0      | 35.0        |
| TLVH431IDBZT  | SOT-23       | DBZ             | 3    | 250  | 203.0       | 203.0      | 35.0        |
| TLVH431IDCKR  | SC70         | DCK             | 6    | 3000 | 203.0       | 203.0      | 35.0        |
| TLVH431IDCKT  | SC70         | DCK             | 6    | 250  | 203.0       | 203.0      | 35.0        |
| TLVH431IPK    | SOT-89       | PK              | 3    | 1000 | 340.0       | 340.0      | 38.0        |
| TLVH431QDBVR  | SOT-23       | DBV             | 5    | 3000 | 203.0       | 203.0      | 35.0        |
| TLVH431QDBVT  | SOT-23       | DBV             | 5    | 250  | 203.0       | 203.0      | 35.0        |
| TLVH431QDBZR  | SOT-23       | DBZ             | 3    | 3000 | 202.0       | 201.0      | 28.0        |
| TLVH431QDBZT  | SOT-23       | DBZ             | 3    | 250  | 203.0       | 203.0      | 35.0        |
| TLVH431QDCKR  | SC70         | DCK             | 6    | 3000 | 203.0       | 203.0      | 35.0        |
| TLVH431QDCKT  | SC70         | DCK             | 6    | 250  | 203.0       | 203.0      | 35.0        |
| TLVH431QPK    | SOT-89       | PK              | 3    | 1000 | 340.0       | 340.0      | 38.0        |

| Device        | Package Type | Package Drawing | Pins | SPQ  | Length (mm) | Width (mm) | Height (mm) |
|---------------|--------------|-----------------|------|------|-------------|------------|-------------|
| TLVH432ACDBZR | SOT-23       | DBZ             | 3    | 3000 | 203.0       | 203.0      | 35.0        |
| TLVH432ACDBZT | SOT-23       | DBZ             | 3    | 250  | 203.0       | 203.0      | 35.0        |
| TLVH432AIDBZR | SOT-23       | DBZ             | 3    | 3000 | 202.0       | 201.0      | 28.0        |
| TLVH432AIPK   | SOT-89       | PK              | 3    | 1000 | 340.0       | 340.0      | 38.0        |
| TLVH432AQDBZR | SOT-23       | DBZ             | 3    | 3000 | 203.0       | 203.0      | 35.0        |
| TLVH432AQDBZT | SOT-23       | DBZ             | 3    | 250  | 203.0       | 203.0      | 35.0        |
| TLVH432BCDBZR | SOT-23       | DBZ             | 3    | 3000 | 203.0       | 203.0      | 35.0        |
| TLVH432BCPK   | SOT-89       | PK              | 3    | 1000 | 340.0       | 340.0      | 38.0        |
| TLVH432BIDBZR | SOT-23       | DBZ             | 3    | 3000 | 203.0       | 203.0      | 35.0        |
| TLVH432BQDBZR | SOT-23       | DBZ             | 3    | 3000 | 203.0       | 203.0      | 35.0        |
| TLVH432BQDBZT | SOT-23       | DBZ             | 3    | 250  | 202.0       | 201.0      | 28.0        |
| TLVH432CDBZR  | SOT-23       | DBZ             | 3    | 3000 | 203.0       | 203.0      | 35.0        |
| TLVH432CDBZT  | SOT-23       | DBZ             | 3    | 250  | 203.0       | 203.0      | 35.0        |
| TLVH432CPK    | SOT-89       | PK              | 3    | 1000 | 340.0       | 340.0      | 38.0        |
| TLVH432IDBZR  | SOT-23       | DBZ             | 3    | 3000 | 203.0       | 203.0      | 35.0        |
| TLVH432QDBZR  | SOT-23       | DBZ             | 3    | 3000 | 203.0       | 203.0      | 35.0        |
| TLVH432QDBZT  | SOT-23       | DBZ             | 3    | 250  | 203.0       | 203.0      | 35.0        |
| TLVH432QPK    | SOT-89       | PK              | 3    | 1000 | 340.0       | 340.0      | 38.0        |

PK (R-PSS0-F3)

PLASTIC SINGLE-IN-LINE PACKAGE



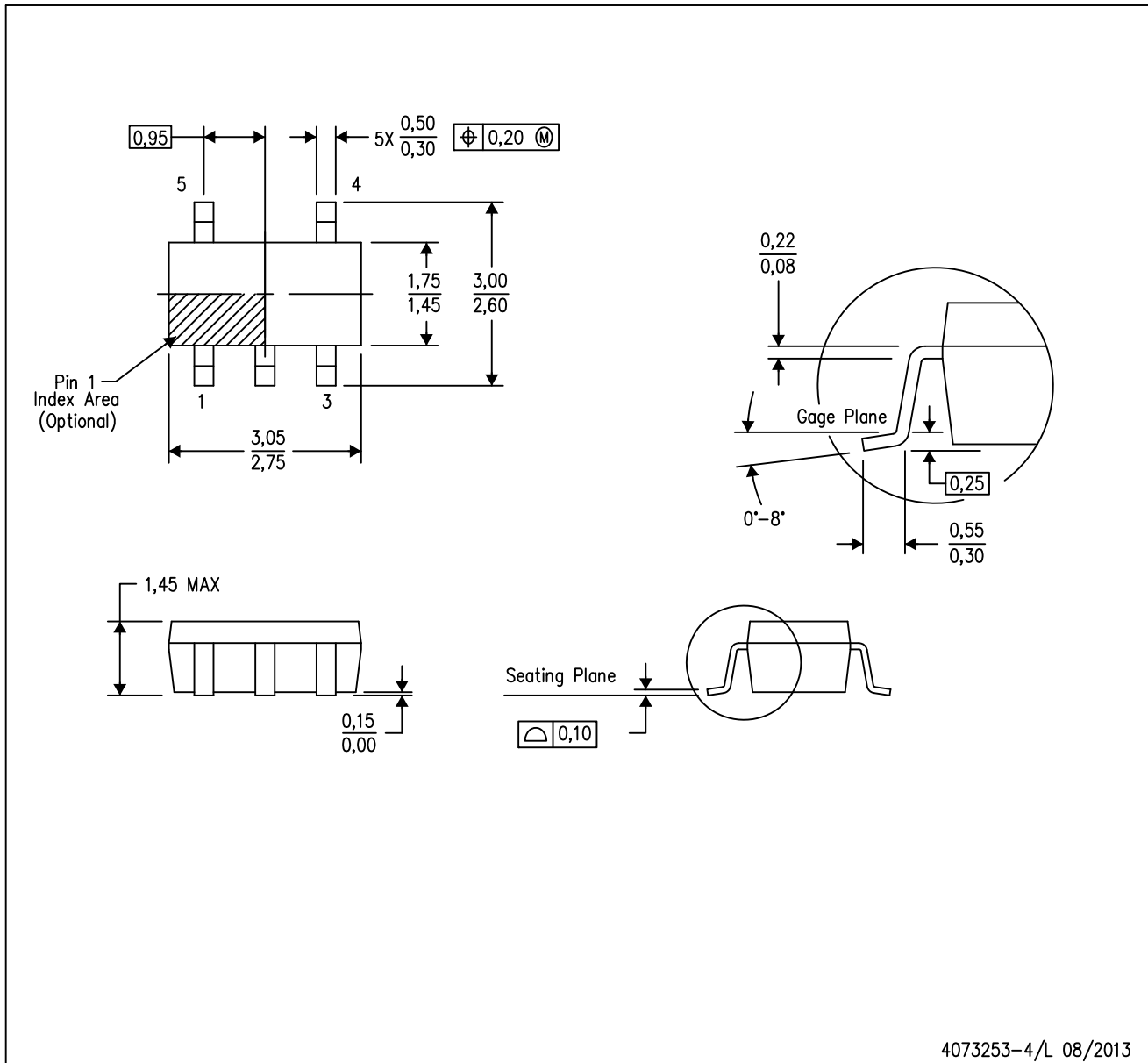
4040234/D 02/2006

- NOTES:
- A. All linear dimensions are in millimeters. Dimensioning and tolerancing per ASME Y14.5M-1994.
  - B. This drawing is subject to change without notice.
  - C. The center lead is in electrical contact with the tab.
  - D. Body dimensions do not include mold flash or protrusion. Mold flash and protrusion not to exceed 0.15 per side.
  - E Thermal pad contour optional within these dimensions.
  - F Falls within JEDEC TO-243 variation AA, except minimum lead length, pin 2 minimum lead width, minimum tab width.

# MECHANICAL DATA

DBV (R-PDSO-G5)

PLASTIC SMALL-OUTLINE PACKAGE



- NOTES:
- A. All linear dimensions are in millimeters.
  - B. This drawing is subject to change without notice.
  - C. Body dimensions do not include mold flash or protrusion. Mold flash and protrusion shall not exceed 0.15 per side.
  - D. Falls within JEDEC MO-178 Variation AA.

DBV (R-PDSO-G5)

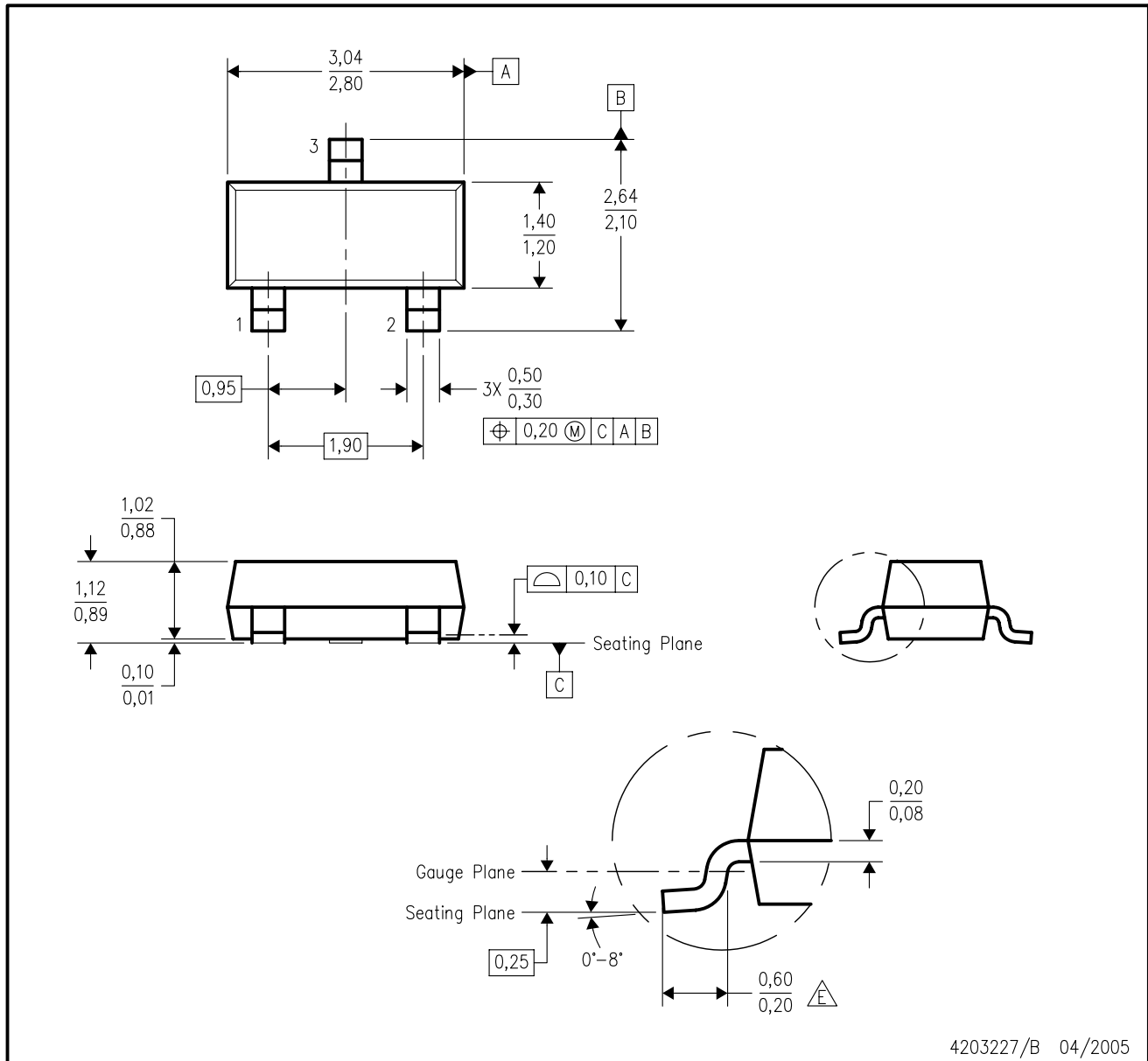
PLASTIC SMALL OUTLINE



- NOTES:
- A. All linear dimensions are in millimeters.
  - B. This drawing is subject to change without notice.
  - C. Customers should place a note on the circuit board fabrication drawing not to alter the center solder mask defined pad.
  - D. Publication IPC-7351 is recommended for alternate designs.
  - E. Laser cutting apertures with trapezoidal walls and also rounding corners will offer better paste release. Customers should contact their board assembly site for stencil design recommendations. Example stencil design based on a 50% volumetric metal load solder paste. Refer to IPC-7525 for other stencil recommendations.

DBZ (R-PDSO-G3)

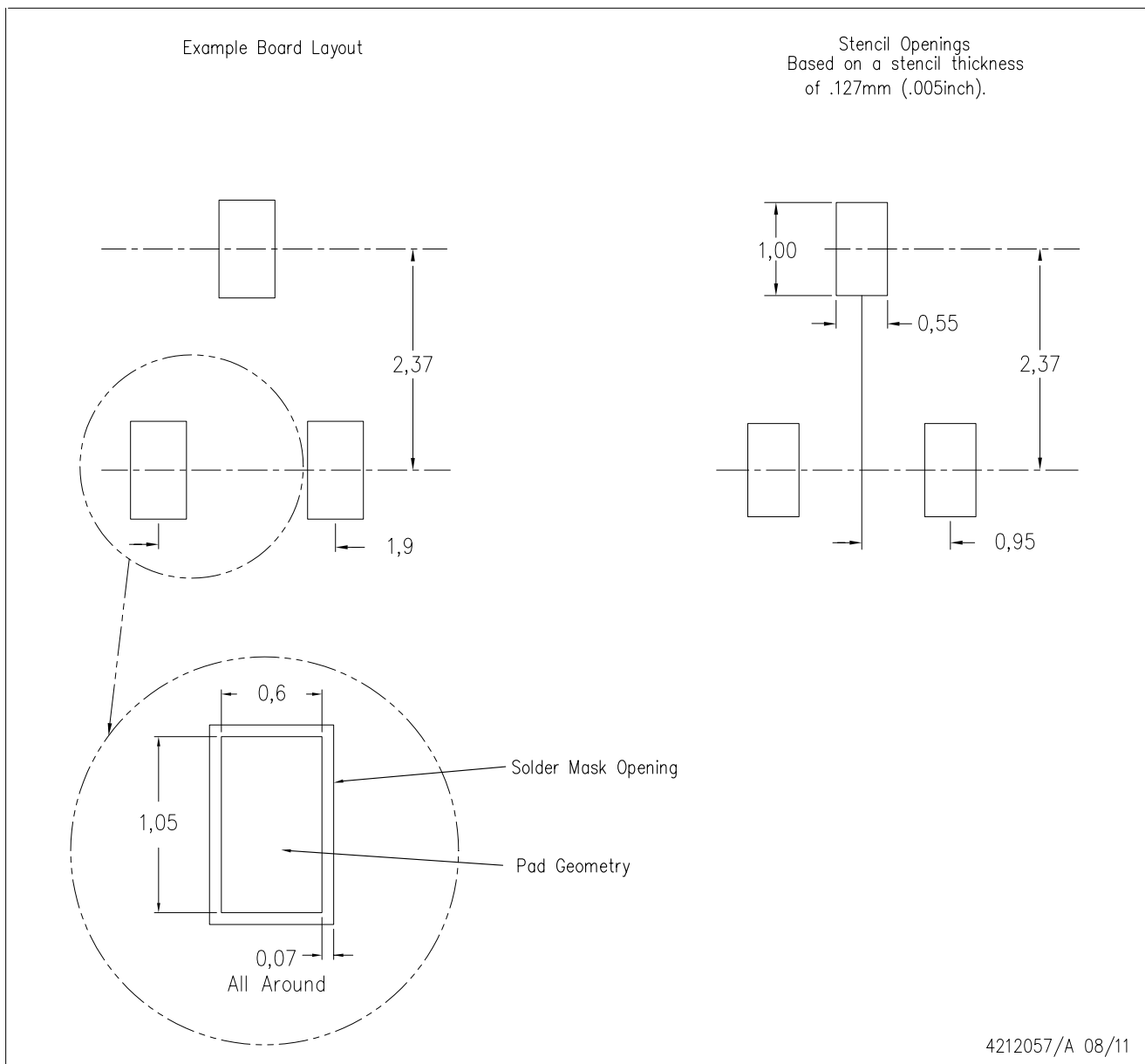
PLASTIC SMALL-OUTLINE



- NOTES:
- A. All linear dimensions are in millimeters. Dimensioning and tolerancing per ASME Y14.5M-1994.
  - B. This drawing is subject to change without notice.
  - C. Lead dimensions are inclusive of plating.
  - D. Body dimensions are exclusive of mold flash and protrusion. Mold flash and protrusion not to exceed 0.25 per side.
  - $\triangle E$  Falls within JEDEC TO-236 variation AB, except minimum foot length.

DBZ (R-PDSO-G3)

PLASTIC SMALL OUTLINE



- NOTES:
- A. All linear dimensions are in millimeters.
  - B. This drawing is subject to change without notice.
  - C. Customers should place a note on the circuit board fabrication drawing not to alter the center solder mask defined pad.
  - D. Publication IPC-7351 is recommended for alternate designs.
  - E. Laser cutting apertures with trapezoidal walls and also rounding corners will offer better paste release. Customers should contact their board assembly site for stencil design recommendations. Example stencil design based on a 50% volumetric metal load solder paste. Refer to IPC-7525 for other stencil recommendations.



DCK (R-PDSO-G6)

PLASTIC SMALL-OUTLINE PACKAGE



- NOTES:
- A. All linear dimensions are in millimeters.
  - B. This drawing is subject to change without notice.
  - C. Body dimensions do not include mold flash or protrusion. Mold flash and protrusion shall not exceed 0.15 per side.
  - D. Falls within JEDEC MO-203 variation AB.

DCK (R-PDSO-G6)

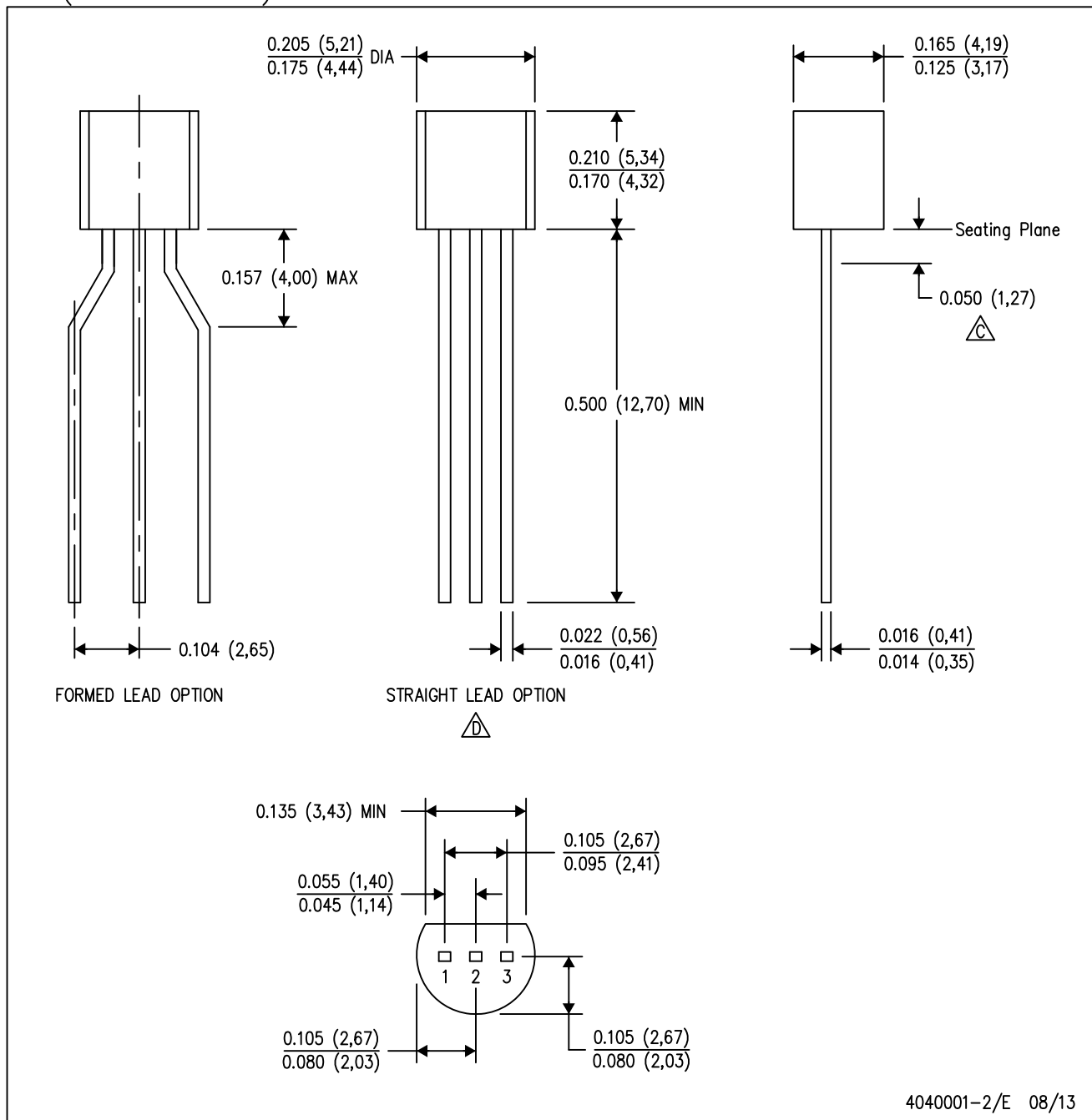
PLASTIC SMALL OUTLINE



- NOTES:
- All linear dimensions are in millimeters.
  - This drawing is subject to change without notice.
  - Customers should place a note on the circuit board fabrication drawing not to alter the center solder mask defined pad.
  - Publication IPC-7351 is recommended for alternate designs.
  - Laser cutting apertures with trapezoidal walls and also rounding corners will offer better paste release. Customers should contact their board assembly site for stencil design recommendations. Example stencil design based on a 50% volumetric metal load solder paste. Refer to IPC-7525 for other stencil recommendations.

LP (O-PBCY-W3)

PLASTIC CYLINDRICAL PACKAGE



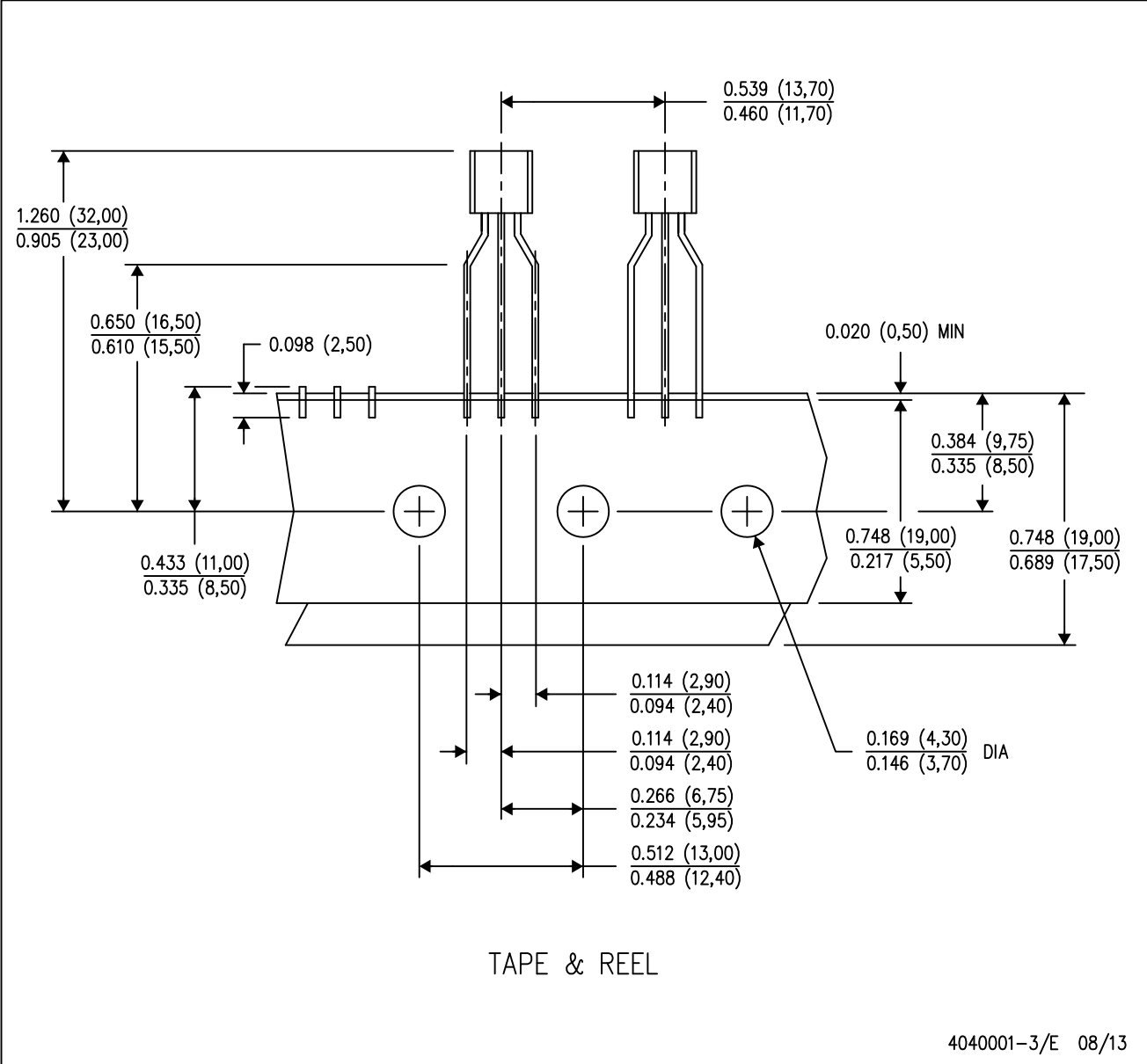
4040001-2/E 08/13

- NOTES:
- A. All linear dimensions are in inches (millimeters).
  - B. This drawing is subject to change without notice.
  - Lead dimensions are not controlled within this area.
  - Falls within JEDEC TO-226 Variation AA (TO-226 replaces TO-92).
  - E. Shipping Method:  
 Straight lead option available in bulk pack only.  
 Formed lead option available in tape & reel or ammo pack.  
 Specific products can be offered in limited combinations of shipping mediums and lead options.  
 Consult product folder for more information on available options.

**MECHANICAL DATA**

LP (O-PBCY-W3)

PLASTIC CYLINDRICAL PACKAGE



- NOTES:
- A. All linear dimensions are in inches (millimeters).
  - B. This drawing is subject to change without notice.
  - C. Tape and Reel information for the Formed Lead Option package.

## IMPORTANT NOTICE

Texas Instruments Incorporated and its subsidiaries (TI) reserve the right to make corrections, enhancements, improvements and other changes to its semiconductor products and services per JESD46, latest issue, and to discontinue any product or service per JESD48, latest issue. Buyers should obtain the latest relevant information before placing orders and should verify that such information is current and complete. All semiconductor products (also referred to herein as "components") are sold subject to TI's terms and conditions of sale supplied at the time of order acknowledgment.

TI warrants performance of its components to the specifications applicable at the time of sale, in accordance with the warranty in TI's terms and conditions of sale of semiconductor products. Testing and other quality control techniques are used to the extent TI deems necessary to support this warranty. Except where mandated by applicable law, testing of all parameters of each component is not necessarily performed.

TI assumes no liability for applications assistance or the design of Buyers' products. Buyers are responsible for their products and applications using TI components. To minimize the risks associated with Buyers' products and applications, Buyers should provide adequate design and operating safeguards.

TI does not warrant or represent that any license, either express or implied, is granted under any patent right, copyright, mask work right, or other intellectual property right relating to any combination, machine, or process in which TI components or services are used. Information published by TI regarding third-party products or services does not constitute a license to use such products or services or a warranty or endorsement thereof. Use of such information may require a license from a third party under the patents or other intellectual property of the third party, or a license from TI under the patents or other intellectual property of TI.

Reproduction of significant portions of TI information in TI data books or data sheets is permissible only if reproduction is without alteration and is accompanied by all associated warranties, conditions, limitations, and notices. TI is not responsible or liable for such altered documentation. Information of third parties may be subject to additional restrictions.

Resale of TI components or services with statements different from or beyond the parameters stated by TI for that component or service voids all express and any implied warranties for the associated TI component or service and is an unfair and deceptive business practice. TI is not responsible or liable for any such statements.

Buyer acknowledges and agrees that it is solely responsible for compliance with all legal, regulatory and safety-related requirements concerning its products, and any use of TI components in its applications, notwithstanding any applications-related information or support that may be provided by TI. Buyer represents and agrees that it has all the necessary expertise to create and implement safeguards which anticipate dangerous consequences of failures, monitor failures and their consequences, lessen the likelihood of failures that might cause harm and take appropriate remedial actions. Buyer will fully indemnify TI and its representatives against any damages arising out of the use of any TI components in safety-critical applications.

In some cases, TI components may be promoted specifically to facilitate safety-related applications. With such components, TI's goal is to help enable customers to design and create their own end-product solutions that meet applicable functional safety standards and requirements. Nonetheless, such components are subject to these terms.

No TI components are authorized for use in FDA Class III (or similar life-critical medical equipment) unless authorized officers of the parties have executed a special agreement specifically governing such use.

Only those TI components which TI has specifically designated as military grade or "enhanced plastic" are designed and intended for use in military/aerospace applications or environments. Buyer acknowledges and agrees that any military or aerospace use of TI components which have **not** been so designated is solely at the Buyer's risk, and that Buyer is solely responsible for compliance with all legal and regulatory requirements in connection with such use.

TI has specifically designated certain components as meeting ISO/TS16949 requirements, mainly for automotive use. In any case of use of non-designated products, TI will not be responsible for any failure to meet ISO/TS16949.

### Products

|                              |  |
|------------------------------|--|
| Audio                        | <a href="http://www.ti.com/audio">www.ti.com/audio</a>                               |
| Amplifiers                   | <a href="http://amplifier.ti.com">amplifier.ti.com</a>                               |
| Data Converters              | <a href="http://dataconverter.ti.com">dataconverter.ti.com</a>                       |
| DLP® Products                | <a href="http://www.dlp.com">www.dlp.com</a>   |
| DSP                          | <a href="http://dsp.ti.com">dsp.ti.com</a>   |
| Clocks and Timers            | <a href="http://www.ti.com/clocks">www.ti.com/clocks</a>                             |
| Interface                    | <a href="http://interface.ti.com">interface.ti.com</a>                               |
| Logic                        | <a href="http://logic.ti.com">logic.ti.com</a>                                       |
| Power Mgmt                   | <a href="http://power.ti.com">power.ti.com</a>                                       |
| Microcontrollers             | <a href="http://microcontroller.ti.com">microcontroller.ti.com</a>                   |
| RFID                         | <a href="http://www.ti-rfid.com">www.ti-rfid.com</a>                                 |
| OMAP Applications Processors | <a href="http://www.ti.com/omap">www.ti.com/omap</a>                                 |
| Wireless Connectivity        | <a href="http://www.ti.com/wirelessconnectivity">www.ti.com/wirelessconnectivity</a> |

### Applications

|                               |  |
|-------------------------------|--|
| Automotive and Transportation | <a href="http://www.ti.com/automotive">www.ti.com/automotive</a>                         |
| Communications and Telecom    | <a href="http://www.ti.com/communications">www.ti.com/communications</a>                 |
| Computers and Peripherals     | <a href="http://www.ti.com/computers">www.ti.com/computers</a>                           |
| Consumer Electronics          | <a href="http://www.ti.com/consumer-apps">www.ti.com/consumer-apps</a>                   |
| Energy and Lighting           | <a href="http://www.ti.com/energy">www.ti.com/energy</a>                                 |
| Industrial                    | <a href="http://www.ti.com/industrial">www.ti.com/industrial</a>                         |
| Medical                       | <a href="http://www.ti.com/medical">www.ti.com/medical</a>                               |
| Security                      | <a href="http://www.ti.com/security">www.ti.com/security</a>                             |
| Space, Avionics and Defense   | <a href="http://www.ti.com/space-avionics-defense">www.ti.com/space-avionics-defense</a> |
| Video and Imaging             | <a href="http://www.ti.com/video">www.ti.com/video</a>                                   |

### TI E2E Community

[e2e.ti.com](http://e2e.ti.com)