

Bt460

Brooktree®

Internal Registers (continued)

T-51-09-08

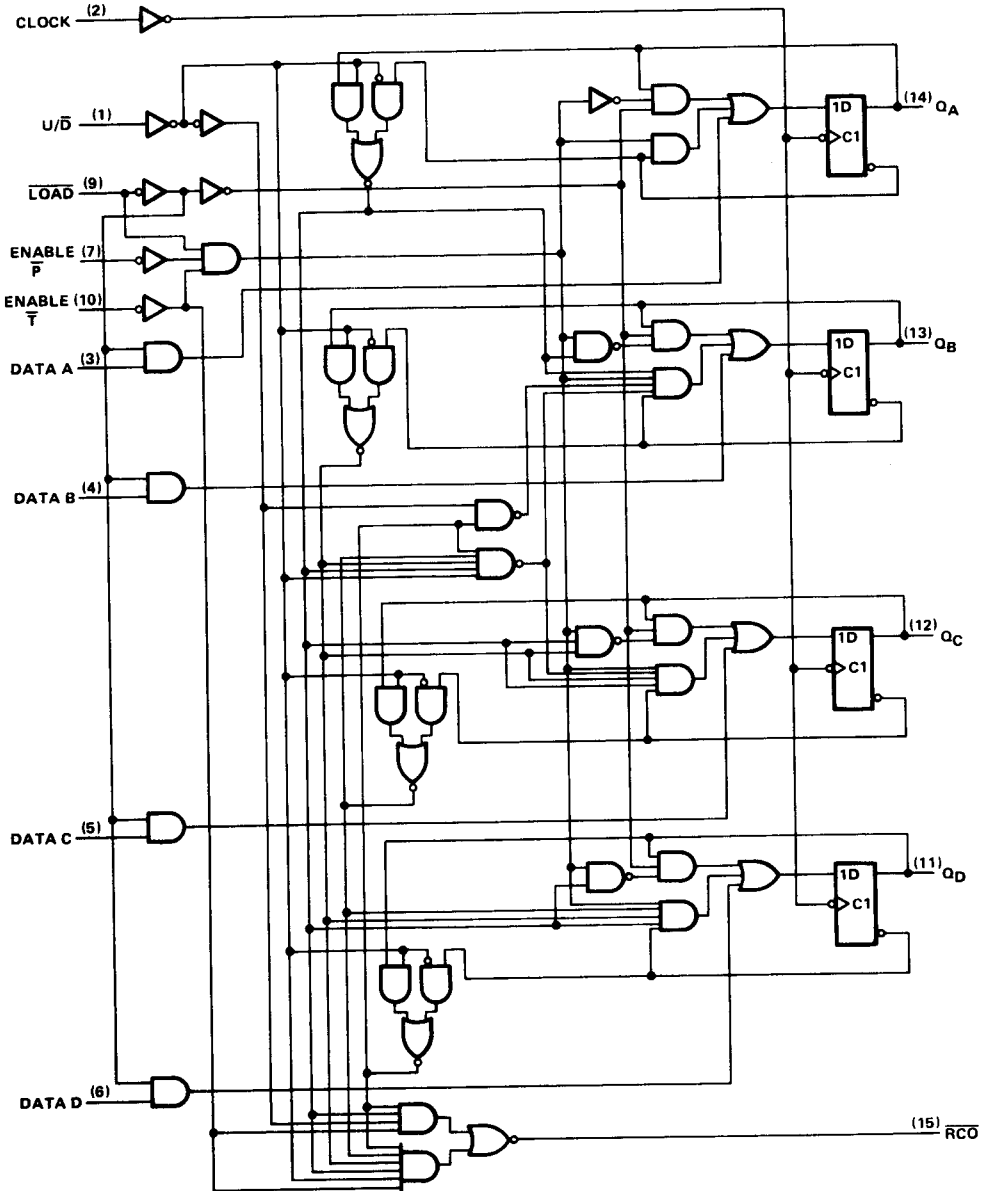
Revision Register (Revision B only)

This 8-bit register is a read-only register, specifying the revision of the Bt459. The four most significant bits signify

SN54LS668, SN74LS668
SYNCHRONOUS 4-BIT UP/DOWN COUNTERS

logic diagram (positive logic)

SN54LS668, SN74LS668, DECADE COUNTERS



Pin numbers shown are for D, J, N, and W packages.

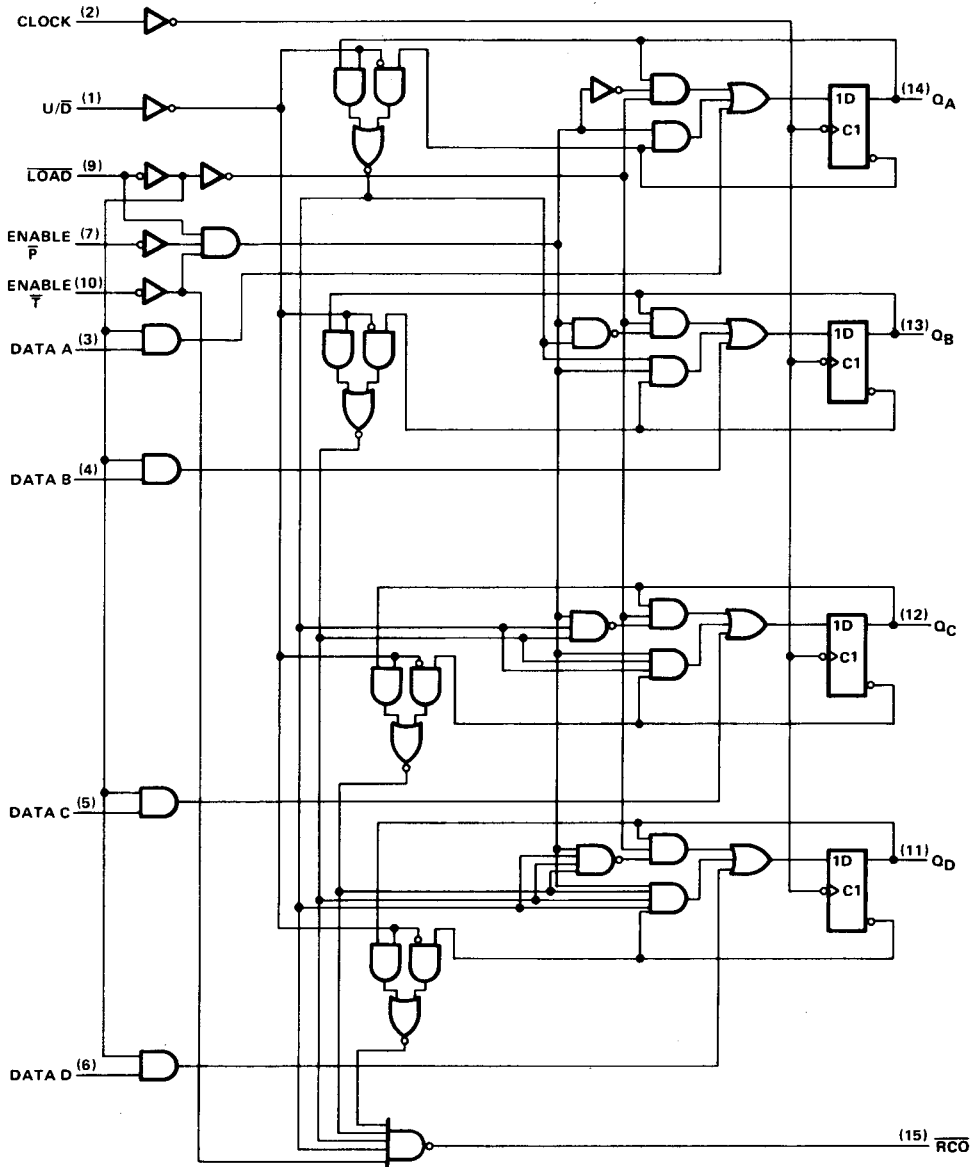
2

TTL Devices

**SN54LS669, SN74LS669
SYNCHRONOUS 4-BIT UP/DOWN COUNTERS**

logic diagram (positive logic) (continued)

SN54LS669, SN74LS669, BINARY COUNTERS



Pin numbers shown are for D, J, N, and W packages.

2
TTL Devices

SN54LS668, SN74LS668
SYNCHRONOUS 4-BIT UP/DOWN COUNTERS

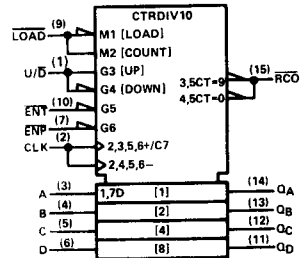
'LS668 DECADE COUNTERS

typical load, count, and inhibit sequences

Illustrated below is the following sequence:

1. Load (preset) to BCD seven
2. Count up to eight, nine (maximum), zero, one, and two
3. Inhibit
4. Count down to one, zero (minimum), nine, eight, and seven

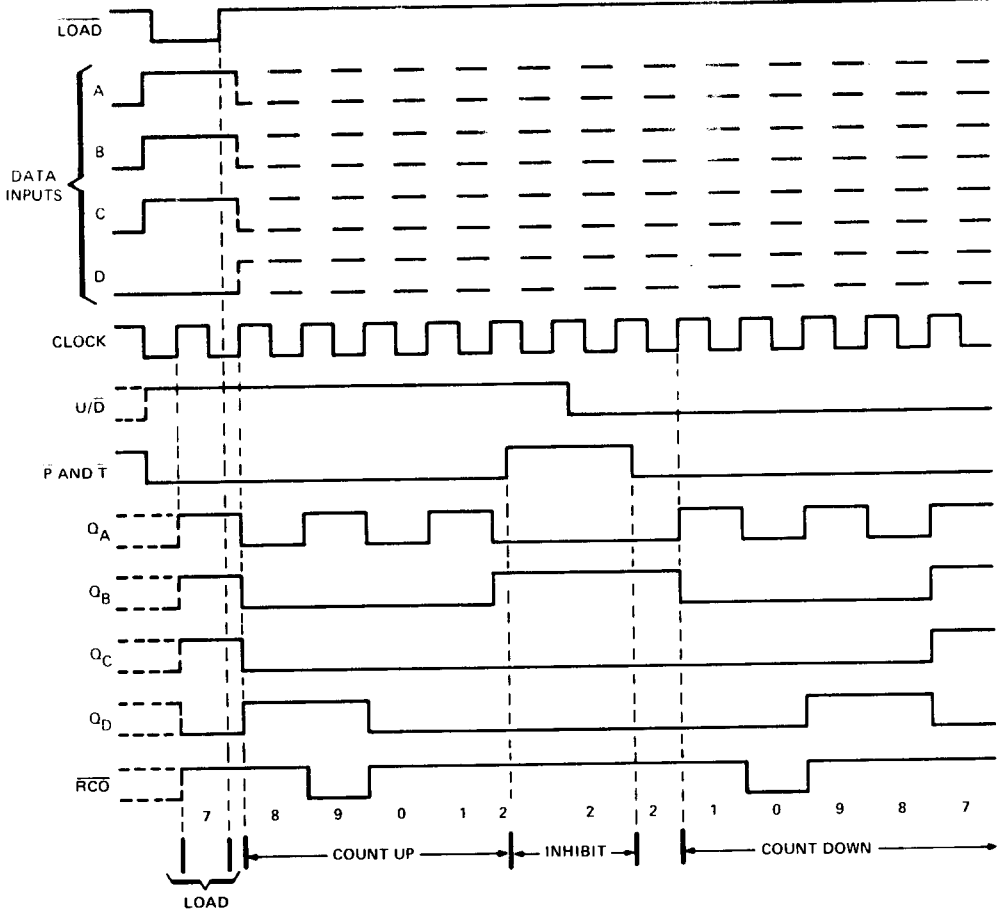
logic symbol†



†This symbol is in accordance with ANSI/IEEE Std. 91-1984 and IEC Publication 617-12.
 Pin numbers shown are for D, J, N, and W packages.

2

TTL Devices



SN54LS669, SN74LS669 SYNCHRONOUS 4-BIT UP/DOWN COUNTERS

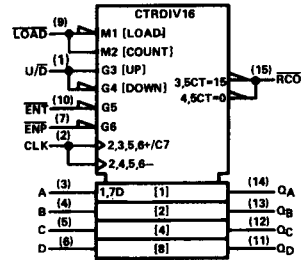
'LS669 BINARY COUNTERS

typical load, count, and inhibit sequences

Illustrated below is the following sequence:

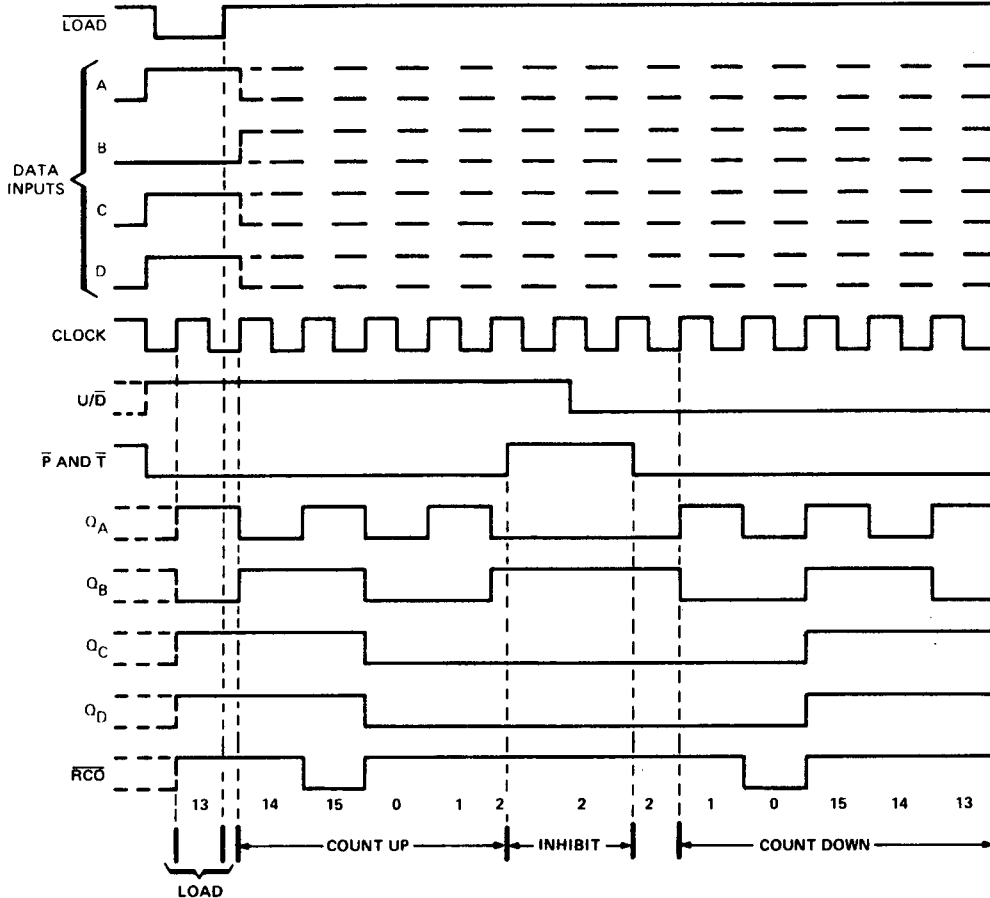
1. Load (preset) to binary thirteen
2. Count up to fourteen, fifteen (maximum), zero, one, and two
3. Inhibit
4. Count down to one, zero (minimum), fifteen, fourteen, and thirteen

logic symbol†



†This symbol is in accordance with ANSI/IEEE Std. 91-1984 and IEC Publication 617-12.

Pin numbers shown are for D, J, N, and W packages.

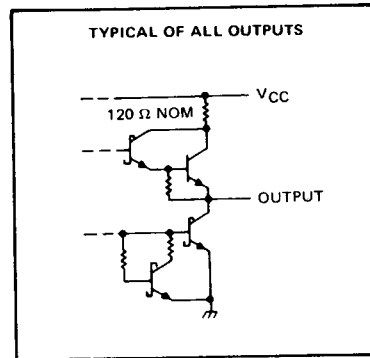
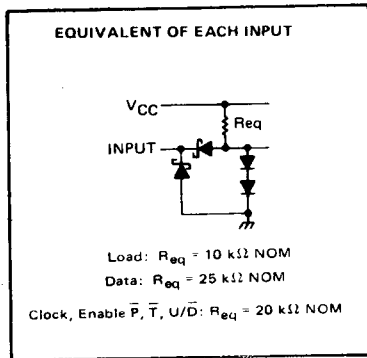


2

TTL Devices

SN54LS668, SN54LS669, SN74LS668, SN74LS669 SYNCHRONOUS 4-BIT UP/DOWN COUNTERS

schematics of inputs and outputs



2

TTL Devices

absolute maximum ratings over operating free-air temperature range (unless otherwise noted)

Supply voltage, V_{CC} (see Note 1)	7 V
Input voltage	7 V
Operating free-air temperature range: SN54LS668, SN54LS669	-55°C to 125°C
SN74LS668, SN74LS669	0°C to 70°C
Storage temperature range	-65°C to 150°C

NOTE 1: Voltage values are with respect to network ground terminal.

recommended operating conditions

	SN54LS668 SN54LS669			SN74LS668 SN74LS669			UNIT
	MIN	NOM	MAX	MIN	NOM	MAX	
Supply voltage, V_{CC}	4.5	5	5.5	4.75	5	5.25	V
High-level output current, I_{OH}			-400			-400	μA
Low-level output current, I_{OL}			4			8	mA
Clock frequency, f_{clock}	0		25	0		25	MHz
Width of clock pulse, $t_w(\text{clock})$ (high or low) (see Figure 1)		20			20		ns
Setup time, t_{SU} (see Figure 1)	Data inputs A, B, C, D			25			ns
	ENP or ENT			40			
	LOAD			30			
	U/D			45			
Hold time at any input with respect to clock, t_h (see Figure 1)		0			0	ns	
Operating free-air temperature, T_A		-55	125		0	70	°C

SN54LS668, SN54LS669, SN74LS668, SN74LS669 SYNCHRONOUS 4-BIT UP/DOWN COUNTERS

electrical characteristics over recommended operating free-air temperature range (unless otherwise noted)

PARAMETER		TEST CONDITIONS†	SN54LS668 SN54LS669		SN74LS668 SN74LS669		UNIT
			MIN	TYP‡	MAX	MIN	
V _{IH}	High-level input voltage		2		2		V
V _{IL}	Low-level input voltage				0.7		0.8 V
V _{IK}	Input clamp voltage	V _{CC} = MIN, I _I = -18 mA			-1.5		V
V _{OH}	High-level output voltage	V _{CC} = MIN, V _{IH} = 2 V, V _{IL} = V _{IL} max, I _{OH} = -400 µA	2.5	3.4	2.7	3.4	V
V _{OL}	Low-level output voltage	V _{CC} = MIN, V _{IH} = 2 V, V _{IL} = V _{IL} max			0.25 0.4		V
I _I	Input current at maximum input voltage	A, B, C, D, \bar{P} , U/ \bar{D}			0.1		mA
		Clock, \bar{T}	V _{CC} = MAX, V _I = 7 V		0.1		
		LOAD			0.2		
I _{IH}	High-level input current	A, B, C, D, \bar{P} , U/ \bar{D}			20		µA
		Clock, \bar{T}	V _{CC} = MAX, V _I = 2.7 V		20		
		LOAD			40		
I _{IL}	Low-level input current	A, B, C, D, \bar{P} , U/ \bar{D}			-0.4		mA
		Clock, \bar{T}	V _{CC} = MAX, V _I = 0.4 V		-0.4		
		LOAD			-0.8		
I _{OS}	Short-circuit output current§	V _{CC} = MAX	-20	-100	-20	-100	mA
I _{CC}	Supply current	V _{CC} = MAX, See Note 2	20 34		20 34		mA

† For conditions shown as MIN or MAX, use the appropriate value specified under recommended operating conditions.

‡ All typical values are at V_{CC} = 5 V, T_A = 25°C.

§ Not more than one output should be shorted at a time, and duration of the short-circuit should not exceed one second.

NOTE 2: I_{CC} is measured after applying a momentary 4.5 V, then ground, to the clock input with all other inputs grounded and the outputs open.

switching characteristics, V_{CC} = 5 V, T_A = 25°C

PARAMETER¶	FROM (INPUT)	TO (OUTPUT)	TEST CONDITIONS	MIN	TYP	MAX	UNIT
f _{max}			C _L = 15 pF, R _L = 2 kΩ, See Figures 2 and 3	25	32		MHz
t _{PLH}	CLK	\bar{RCO}			26	40	ns
t _{PHL}		Any			40	60	
t _{PLH}	CLK	Q			18	27	ns
t _{PHL}		Any			18	27	
t _{PLH}	\bar{ENT}	\bar{RCO}			11	17	ns
t _{PHL}		Any			29	45	
t _{PLH} #	U/ \bar{D}	\bar{RCO}			22	36	ns
t _{PHL} #		Any			26	40	

¶ f_{max} = Maximum clock frequency.

t_{PLH} = propagation delay time, low-to-high-level output.

t_{PHL} = propagation delay time, high-to-low-level output.

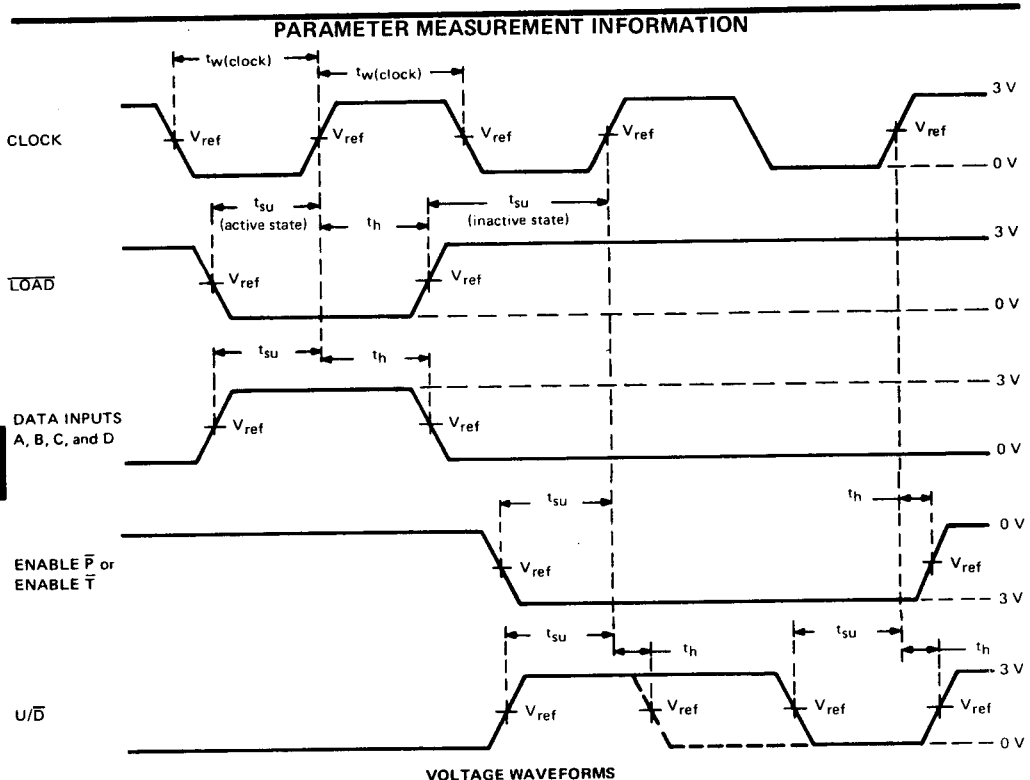
Propagation delay time from up/down to ripple carry must be measured with the counter at either a minimum or a maximum count. As the logic level of the up/down input is changed, the ripple carry output will follow. If the count is minimum (0), the ripple carry output transition will be in phase. If the count is maximum (9 for 'LS668 or 15 for 'LS669), the ripple carry output will be out of phase.

2

TTL Devices

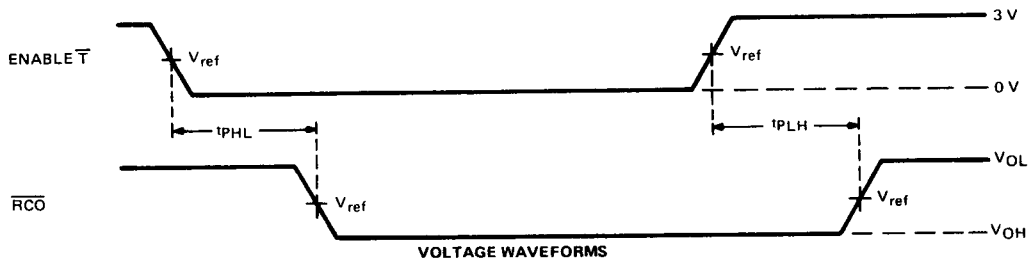
SN54LS668, SN54LS669, SN74LS668, SN74LS669
SYNCHRONOUS 4-BIT UP/DOWN COUNTERS

2
TTL Devices



NOTES: A. The input pulses are supplied by a generator having the following characteristics: PRR \leq 1 MHz, duty cycle \leq 50%, $Z_{out} \approx 50 \Omega$, $t_r \leq 15$ ns, $t_f \leq 6$ ns.
 B. $V_{ref} = 1.3$ V.

FIGURE 1—PULSE WIDTHS, SETUP TIMES, HOLD TIMES

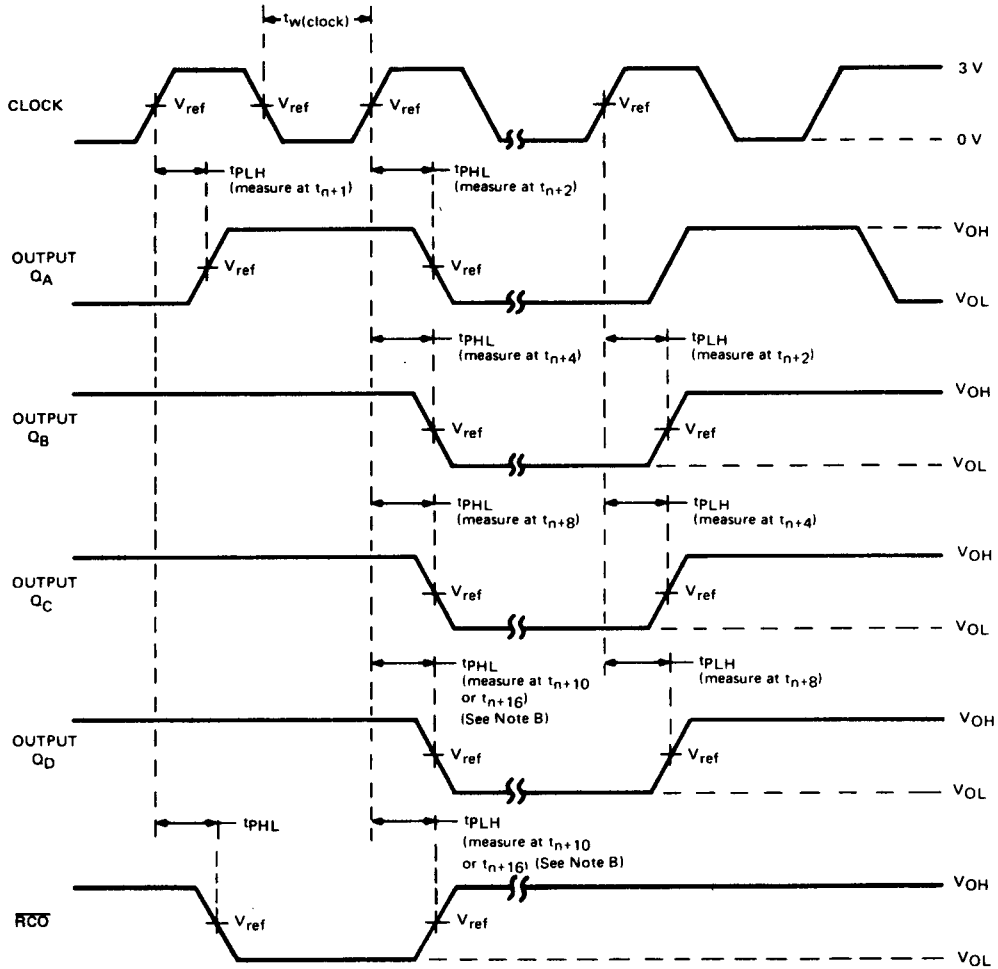


NOTES: A. The input pulse is supplied by a generator having the following characteristics: PRR \leq 1 MHz, duty cycle \leq 50%, $Z_{out} \approx 50 \Omega$, $t_r \leq 15$ ns, $t_f \leq 6$ ns.
 B. t_{PLH} and t_{PLH} from enable \bar{T} input to ripple carry output assume that the counter is at the maximum count (Q_A and Q_D high for 'LS668, all Q outputs high for 'LS669).
 C. $V_{ref} = 1.3$ V.
 D. Propagation delay time from up/down to ripple carry must be measured with the counter at either a minimum or a maximum count. As the logic level of the up/down input is changed, the ripple carry output will follow. If the count is minimum (0) the ripple carry output transition will be in phase. If the count is maximum (9 for 'LS668, or 15 for 'LS669) the ripple carry output will be out of phase.

FIGURE 2—PROPAGATION DELAY TIMES TO CARRY OUTPUT

SN54LS668, SN54LS669, SN74LS668, SN74LS669
SYNCHRONOUS 4-BIT UP/DOWN COUNTERS

PARAMETER MEASUREMENT INFORMATION



2
TTL Devices

UP-COUNT VOLTAGE WAVEFORMS

- NOTES:**
- A. The input pulses are supplied by a generator having the following characteristics: PRR \leq 1 MHz, duty cycle \leq 50%, $Z_{out} \approx 50 \Omega$, $t_r \leq 15$ ns, $t_f \leq 6$ ns. Vary PRR to measure t_{max} .
 - B. Outputs Q_D and carry are tested at t_{n+10} for the 'LS668, and at t_{n+16} for the 'LS669, where t_n is the bit-time when all outputs are low.
 - C. $V_{ref} = 1.3$ V.

FIGURE 3—PROPAGATION DELAY TIMES FROM CLOCK