

**NOT RECOMMENDED FOR NEW DESIGNS**

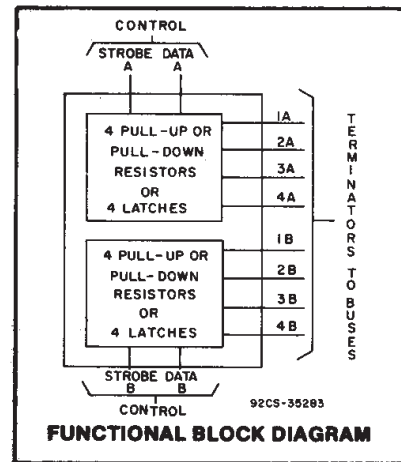
# CD40117B Types

## Programmable Dual 4-Bit Terminator

High-Voltage Types (20-Volt Rating)

**Features:**

- One standard "B" output will drive eight terminator circuits.
- Will terminate a CMOS data bus with up to 40 B-series inputs or 3-state outputs connected at VDD of 5 V.
- Input terminals protected by standard "B" series ESD protection network.
- Preserves final logic state.
- Output after switching is closer to VDD or VSS rail than with a resistor.
- Requires only one solder connection.
- Open circuited terminator not used will not affect performance.
- Can be connected to any CMOS I/O line.
- Draws current only when logic state is changing.
- Can be preset.



■ CD40117B is a dual 4-bit terminator that can be programmed by means of STROBE and DATA control bits to function as pull-up or pull-down resistors. The CD40117B can also be programmed to function as latches to terminate any open or unused CMOS logic when used with 3-state logic or during a power-down condition. Considerable savings in power and board space can be realized when this device is used to replace pull-up or pull-down resistors. When the STROBE is in the logic "1" state, the terminator functions as a pull-up resistor if the DATA input is a logic "1" or as a pull-down resistor if the DATA input is a logic "0".

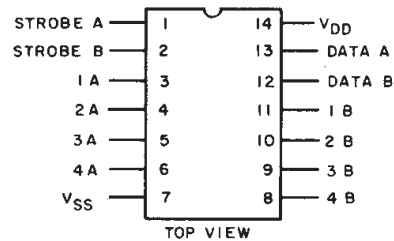
When the STROBE is in the logic "0" state, the terminator performs the latch function, i.e., it follows the changing states of the bus. If the bus goes into the high-Z state or into a power-down condition, the latched terminator retains the data ("1" or "0") that the bus carried before it switched to the high-Z or power-down state. If and when the bus changes from the high-Z state to the state opposite to that which the latch is storing, the bus will override the latch and the terminator will reflect the state on the bus. The small geometries chosen for the inverters in the latch allow this override mode. When checking the data bus whose last state is being preserved by the terminator, a resistor should be used in series with the probe whose input capacitance could trip the small latches. The resistance should be in excess of the output impedance of the latch, i.e., R should be > 30 KΩ at VDD = 10 V.

The STROBE and DATA inputs in each section can be paralleled allowing this device to be used as an 8-bit bus terminator.

The CD40117B types are supplied in 14-lead dual-in-line plastic packages (E suffix), 14-lead small-outline packages (M, MT, M96, and NSR suffixes), and 14-lead thin shrink small-outline packages (PW and PWR suffixes).

**Applications:**

- Error state identification.
- Replaces pull-up or pull-down resistors
- Avoids floating inputs in modular systems
- Sharpens transistors (hysteresis)
- Anti-bounce circuit



92CS-34607  
**TERMINAL DIAGRAM**

**TRUTH TABLE**

| STROBE | DATA | 1A(B)      | 2A(B)      | 3A(B)      | 4A(B)      |
|--------|------|------------|------------|------------|------------|
| 1      | 0    | 0 $\Delta$ | 0 $\Delta$ | 0 $\Delta$ | 0 $\Delta$ |
| 1      | 1    | 1 $+$      | 1 $+$      | 1 $+$      | 1 $+$      |
| 0      | X    | *          | *          | *          | *          |

1 = High, 0 = Low, X = Don't Care

$\Delta$  Equivalent to pull-down resistor.

$+$  Equivalent to pull-up resistor.

\*Equivalent to a latch.

# CD40117B Types

## MAXIMUM RATINGS, Absolute-Maximum Values:

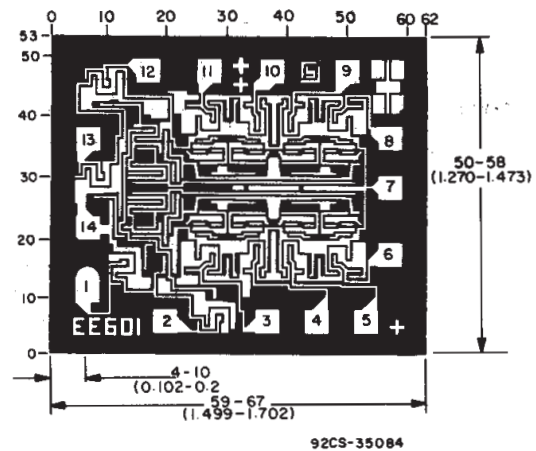
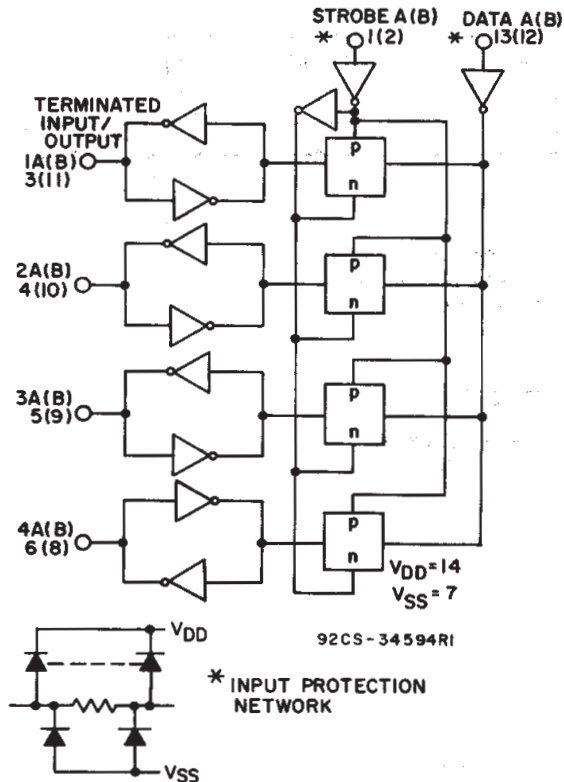
|  |       |  |
|--|-------|--|
| DC SUPPLY-VOLTAGE RANGE, ( $V_{DD}$ )  | ..... | -0.5V to +20V                                |
| Voltages referenced to $V_{SS}$ Terminal)                                    |       |  |
| INPUT VOLTAGE RANGE, ALL INPUTS  | ..... | -0.5V to $V_{DD} + 0.5V$                     |
| DC INPUT CURRENT, ANY ONE INPUT  | ..... | $\pm 10mA$                                   |
| POWER DISSIPATION PER PACKAGE ( $P_D$ ):                                     |       |  |
| For $T_A = -55^\circ C$ to $+100^\circ C$                                    | ..... | 500mW  |
| For $T_A = +100^\circ C$ to $+125^\circ C$                                   | ..... | Derate Linearly at 12mW/ $^\circ C$ to 200mW |
| DEVICE DISSIPATION PER OUTPUT TRANSISTOR                                     |       |  |
| FOR $T_A =$ FULL PACKAGE-TEMPERATURE RANGE (All Package Types)               | ..... | 100mW  |
| OPERATING-TEMPERATURE RANGE ( $T_A$ )  | ..... | $-55^\circ C$ to $+125^\circ C$              |
| STORAGE TEMPERATURE RANGE ( $T_{stg}$ )                                      | ..... | $-65^\circ C$ to $+150^\circ C$              |
| LEAD TEMPERATURE (DURING SOLDERING):   |       |  |
| At distance $1/16 \pm 1/32$ inch ( $1.59 \pm 0.79mm$ ) from case for 10s max | ..... | $+265^\circ C$                               |

## RECOMMENDED OPERATING CONDITIONS

For maximum reliability, nominal operating conditions should be selected so that operation is always within the following ranges:

| CHARACTERISTIC   | $V_{DD}$<br>(V) | LIMITS |      | UNITS |
|--|-----------------|--------|------|-------|
|  |                 | MIN.   | TYP. |       |
| Supply-Voltage Range (For $T_A$ =Full Package-Temperature Range) | —               | 3      | 18   | V     |

3  
COMMERCIAL CMOS  
HIGH VOLTAGE ICs



Dimensions and pad layout for CD40117B.

Dimensions in parentheses are in millimeters and are derived from the basic inch dimensions as indicated. Grid graduations are in mils ( $10^{-3}$  inch).

Fig. 1 - Logic diagram (1/2 of CD40117B)



## CD40117B Types

### STATIC ELECTRICAL CHARACTERISTICS

| CHARACTERISTIC                                    | CONDITIONS            |                        |                        | LIMITS AT INDICATED TEMPERATURES (°C) |      |     |       |      |                   |      | UNITS |
|---|-----------------------|------------------------|------------------------|---------------------------------------|------|-----|-------|------|-------------------|------|-------|
|   | V <sub>O</sub><br>(V) | V <sub>IN</sub><br>(V) | V <sub>DD</sub><br>(V) | -55                                   | -40  | +85 | +125  | +25  |                   |      |       |
|   |                       |                        |                        |                                       |      |     |       | Min. | Typ.              | Max. |       |
| Quiescent Device Current Max. I <sub>DD</sub>     | —                     | 0, 5                   | 5                      | 0.25                                  | 0.25 | 7.5 | 7.5   | —    | —                 | 0.25 | μA    |
|   | —                     | 0, 10                  | 10                     | 0.5                                   | 0.5  | 15  | 15    | —    | 0.01              | 0.5  |       |
|   | —                     | 0, 15                  | 15                     | 1                                     | 1    | 30  | 30    | —    | 0.01              | 1    |       |
|   | —                     | 0, 20                  | 20                     | 5                                     | 5    | 150 | 150   | —    | 0.02              | 5    |       |
| Output Low Sink Current Min. I <sub>OL</sub>      | 0.4                   | 0, 5                   | 5                      | —                                     | —    | —   | —     | —    | 25                | —    | μA    |
|   | 0.5                   | 0, 10                  | 10                     | —                                     | —    | —   | —     | —    | 60                | —    |       |
|   | 1.5                   | 0, 15                  | 15                     | —                                     | —    | —   | —     | —    | 250               | —    |       |
| Output High (Source) Current Min. I <sub>OH</sub> | 4.6                   | 0, 5                   | 5                      | —                                     | —    | —   | —     | —    | -25               | —    | μA    |
|   | 2.5                   | 0, 5                   | 5                      | —                                     | —    | —   | —     | —    | —                 | —    |       |
|   | 9.5                   | 0, 10                  | 10                     | —                                     | —    | —   | —     | —    | -60               | —    |       |
|   | 13.5                  | 0, 15                  | 15                     | —                                     | —    | —   | —     | —    | -250              | —    |       |
| Output Voltage: Low-Level Max. V <sub>OL</sub>    | —                     | 0, 5                   | 5                      | 0.05                                  |      |     | —     | 0    | 0.05              | —    | V     |
|   | —                     | 0, 10                  | 10                     | 0.05                                  |      |     | —     | 0    | 0.05              | —    |       |
|   | —                     | 0, 15                  | 15                     | 0.05                                  |      |     | —     | 0    | 0.05              | —    |       |
| Output Voltage: High-Level Min. V <sub>OH</sub>   | —                     | 0, 5                   | 5                      | 4.95                                  |      |     | 4.95  | 5    | —                 | —    | V     |
|   | —                     | 0, 10                  | 10                     | 9.95                                  |      |     | 9.95  | 10   | —                 | —    |       |
|   | —                     | 0, 15                  | 15                     | 14.95                                 |      |     | 14.95 | 15   | —                 | —    |       |
| Input Low Voltage Max. V <sub>IL</sub>            | 0.5, 4.5              | —                      | 5                      | 1.5                                   |      |     | —     | —    | 1.5               | —    | V     |
|   | 1, 9                  | —                      | 10                     | 3                                     |      |     | —     | —    | 3                 | —    |       |
|   | 1.5, 13.5             | —                      | 15                     | 4                                     |      |     | —     | —    | 4                 | —    |       |
| Input High Voltage Min. V <sub>IH</sub>           | 0.5, 4.5              | —                      | 5                      | 3.5                                   |      |     | 3.5   | —    | —                 | —    | V     |
|   | 1, 9                  | —                      | 10                     | 7                                     |      |     | 7     | —    | —                 | —    |       |
|   | 1.5, 13.5             | —                      | 15                     | 11                                    |      |     | 11    | —    | —                 | —    |       |
| Input Current Max. I <sub>IN</sub>                | —                     | 0, 18                  | 18                     | ±0.1                                  | ±0.1 | ±1  | ±1    | —    | ±10 <sup>-5</sup> | ±0.1 | μA    |

**3**  
COMMERCIAL CMOS  
HIGH VOLTAGE ICs

### DYNAMIC ELECTRICAL CHARACTERISTICS at T<sub>A</sub>=25°C; Input t<sub>r</sub>, t<sub>f</sub>=20 ns, C<sub>L</sub>=50 pF, R<sub>L</sub>=200 kΩ

| CHARACTERISTIC                                 | TEST CONDITIONS                        | V <sub>DD</sub> (V) | LIMITS All Packages |      |      | UNITS |
|--|--|---------------------|---------------------|------|------|-------|
|  |  |                     | MIN.                | TYP. | MAX. |       |
| Propagation Delay Time Strobe, Data to Outputs | t <sub>PHL</sub>                       | 5                   | —                   | 1.7  | —    | μs    |
|  |  | 10                  | —                   | 850  | —    | ns    |
|  |  | 15                  | —                   | 575  | —    | ns    |
|  | t <sub>PLH</sub>                       | 5                   | —                   | 1.5  | —    | μs    |
|  |  | 10                  | —                   | 625  | —    | ns    |
|  |  | 15                  | —                   | 500  | —    | ns    |
| Transition Time                                | t <sub>THL</sub> ,<br>t <sub>TLH</sub> | 5                   | —                   | 3.3  | —    | μs    |
|  |  | 10                  | —                   | 1.6  | —    | μs    |
|  |  | 15                  | —                   | 1.1  | —    | μs    |
| Minimum Strobe Pulse Width                     | t <sub>w</sub>                         | 5                   | —                   | 1.5  | —    | μs    |
|  |  | 10                  | —                   | 600  | —    | ns    |
|  |  | 15                  | —                   | 475  | —    | ns    |
| Minimum Data Pulse Width                       | t <sub>WH</sub> ,<br>t <sub>WL</sub>   | 5                   | —                   | 1.6  | —    | μs    |
|  |  | 10                  | —                   | 700  | —    | ns    |
|  |  | 15                  | —                   | 500  | —    | ns    |
| Minimum Terminator Input/Output Pulse Width    | t <sub>w</sub>                         | 5                   | —                   | 10   | —    | ns    |
| Minimum Data Setup Time Data to Strobe         | t <sub>SU</sub>                        | 5                   | —                   | 0    | —    | ns    |
|  |  | 10                  | —                   | 0    | —    | ns    |
|  |  | 15                  | —                   | 0    | —    | ns    |
| Input Capacitance                              | C <sub>IN</sub>                        | Any Input           | —                   | 5    | —    | pF    |

## IMPORTANT NOTICE

Texas Instruments Incorporated and its subsidiaries (TI) reserve the right to make corrections, modifications, enhancements, improvements, and other changes to its products and services at any time and to discontinue any product or service without notice. Customers should obtain the latest relevant information before placing orders and should verify that such information is current and complete. All products are sold subject to TI's terms and conditions of sale supplied at the time of order acknowledgment.

TI warrants performance of its hardware products to the specifications applicable at the time of sale in accordance with TI's standard warranty. Testing and other quality control techniques are used to the extent TI deems necessary to support this warranty. Except where mandated by government requirements, testing of all parameters of each product is not necessarily performed.

TI assumes no liability for applications assistance or customer product design. Customers are responsible for their products and applications using TI components. To minimize the risks associated with customer products and applications, customers should provide adequate design and operating safeguards.

TI does not warrant or represent that any license, either express or implied, is granted under any TI patent right, copyright, mask work right, or other TI intellectual property right relating to any combination, machine, or process in which TI products or services are used. Information published by TI regarding third-party products or services does not constitute a license from TI to use such products or services or a warranty or endorsement thereof. Use of such information may require a license from a third party under the patents or other intellectual property of the third party, or a license from TI under the patents or other intellectual property of TI.

Reproduction of information in TI data books or data sheets is permissible only if reproduction is without alteration and is accompanied by all associated warranties, conditions, limitations, and notices. Reproduction of this information with alteration is an unfair and deceptive business practice. TI is not responsible or liable for such altered documentation.

Resale of TI products or services with statements different from or beyond the parameters stated by TI for that product or service voids all express and any implied warranties for the associated TI product or service and is an unfair and deceptive business practice. TI is not responsible or liable for any such statements.

TI products are not authorized for use in safety-critical applications (such as life support) where a failure of the TI product would reasonably be expected to cause severe personal injury or death, unless officers of the parties have executed an agreement specifically governing such use. Buyers represent that they have all necessary expertise in the safety and regulatory ramifications of their applications, and acknowledge and agree that they are solely responsible for all legal, regulatory and safety-related requirements concerning their products and any use of TI products in such safety-critical applications, notwithstanding any applications-related information or support that may be provided by TI. Further, Buyers must fully indemnify TI and its representatives against any damages arising out of the use of TI products in such safety-critical applications.

TI products are neither designed nor intended for use in military/aerospace applications or environments unless the TI products are specifically designated by TI as military-grade or "enhanced plastic." Only products designated by TI as military-grade meet military specifications. Buyers acknowledge and agree that any such use of TI products which TI has not designated as military-grade is solely at the Buyer's risk, and that they are solely responsible for compliance with all legal and regulatory requirements in connection with such use.

TI products are neither designed nor intended for use in automotive applications or environments unless the specific TI products are designated by TI as compliant with ISO/TS 16949 requirements. Buyers acknowledge and agree that, if they use any non-designated products in automotive applications, TI will not be responsible for any failure to meet such requirements.

Following are URLs where you can obtain information on other Texas Instruments products and application solutions:

| <b>Products</b>       |  | <b>Applications</b> |  |
|-----------------------|--|---------------------|--|
| Amplifiers            | <a href="http://amplifier.ti.com">amplifier.ti.com</a>             | Audio               | <a href="http://www.ti.com/audio">www.ti.com/audio</a>                   |
| Data Converters       | <a href="http://dataconverter.ti.com">dataconverter.ti.com</a>     | Automotive          | <a href="http://www.ti.com/automotive">www.ti.com/automotive</a>         |
| DSP                   | <a href="http://dsp.ti.com">dsp.ti.com</a>                         | Broadband           | <a href="http://www.ti.com/broadband">www.ti.com/broadband</a>           |
| Interface             | <a href="http://interface.ti.com">interface.ti.com</a>             | Digital Control     | <a href="http://www.ti.com/digitalcontrol">www.ti.com/digitalcontrol</a> |
| Logic                 | <a href="http://logic.ti.com">logic.ti.com</a>                     | Military            | <a href="http://www.ti.com/military">www.ti.com/military</a>             |
| Power Mgmt            | <a href="http://power.ti.com">power.ti.com</a>                     | Optical Networking  | <a href="http://www.ti.com/opticalnetwork">www.ti.com/opticalnetwork</a> |
| Microcontrollers      | <a href="http://microcontroller.ti.com">microcontroller.ti.com</a> | Security            | <a href="http://www.ti.com/security">www.ti.com/security</a>             |
| Low Power<br>Wireless | <a href="http://www.ti.com/lpw">www.ti.com/lpw</a>                 | Telephony           | <a href="http://www.ti.com/telephony">www.ti.com/telephony</a>           |
|                       |  | Video & Imaging     | <a href="http://www.ti.com/video">www.ti.com/video</a>                   |
|                       |  | Wireless            | <a href="http://www.ti.com/wireless">www.ti.com/wireless</a>             |

Mailing Address: Texas Instruments, Post Office Box 655303, Dallas, Texas 75265  
Copyright © 2007, Texas Instruments Incorporated

PACKAGING INFORMATION

| Orderable Device | Status <sup>(1)</sup> | Package Type | Package Drawing | Pins | Package Qty | Eco Plan <sup>(2)</sup> | Lead/Ball Finish | MSL Peak Temp <sup>(3)</sup> |
|------------------|-----------------------|--------------|-----------------|------|-------------|-------------------------|------------------|------------------------------|
| CD40117BE        | ACTIVE                | PDIP         | N               | 14   | 25          | Pb-Free (RoHS)          | CU NIPDAU        | N / A for Pkg Type           |
| CD40117BEE4      | ACTIVE                | PDIP         | N               | 14   | 25          | Pb-Free (RoHS)          | CU NIPDAU        | N / A for Pkg Type           |
| CD40117BM        | ACTIVE                | SOIC         | D               | 14   | 50          | Green (RoHS & no Sb/Br) | CU NIPDAU        | Level-1-260C-UNLIM           |
| CD40117BM96      | ACTIVE                | SOIC         | D               | 14   | 2500        | Green (RoHS & no Sb/Br) | CU NIPDAU        | Level-1-260C-UNLIM           |
| CD40117BM96E4    | ACTIVE                | SOIC         | D               | 14   | 2500        | Green (RoHS & no Sb/Br) | CU NIPDAU        | Level-1-260C-UNLIM           |
| CD40117BM96G4    | ACTIVE                | SOIC         | D               | 14   | 2500        | Green (RoHS & no Sb/Br) | CU NIPDAU        | Level-1-260C-UNLIM           |
| CD40117BME4      | ACTIVE                | SOIC         | D               | 14   | 50          | Green (RoHS & no Sb/Br) | CU NIPDAU        | Level-1-260C-UNLIM           |
| CD40117BMG4      | ACTIVE                | SOIC         | D               | 14   | 50          | Green (RoHS & no Sb/Br) | CU NIPDAU        | Level-1-260C-UNLIM           |
| CD40117BMT       | ACTIVE                | SOIC         | D               | 14   | 250         | Green (RoHS & no Sb/Br) | CU NIPDAU        | Level-1-260C-UNLIM           |
| CD40117BMTE4     | ACTIVE                | SOIC         | D               | 14   | 250         | Green (RoHS & no Sb/Br) | CU NIPDAU        | Level-1-260C-UNLIM           |
| CD40117BMTG4     | ACTIVE                | SOIC         | D               | 14   | 250         | Green (RoHS & no Sb/Br) | CU NIPDAU        | Level-1-260C-UNLIM           |
| CD40117BNSR      | ACTIVE                | SO           | NS              | 14   | 2000        | Green (RoHS & no Sb/Br) | CU NIPDAU        | Level-1-260C-UNLIM           |
| CD40117BNSRE4    | ACTIVE                | SO           | NS              | 14   | 2000        | Green (RoHS & no Sb/Br) | CU NIPDAU        | Level-1-260C-UNLIM           |
| CD40117BNSRG4    | ACTIVE                | SO           | NS              | 14   | 2000        | Green (RoHS & no Sb/Br) | CU NIPDAU        | Level-1-260C-UNLIM           |
| CD40117BPW       | ACTIVE                | TSSOP        | PW              | 14   | 90          | Green (RoHS & no Sb/Br) | CU NIPDAU        | Level-1-260C-UNLIM           |
| CD40117BPWE4     | ACTIVE                | TSSOP        | PW              | 14   | 90          | Green (RoHS & no Sb/Br) | CU NIPDAU        | Level-1-260C-UNLIM           |
| CD40117BPWG4     | ACTIVE                | TSSOP        | PW              | 14   | 90          | Green (RoHS & no Sb/Br) | CU NIPDAU        | Level-1-260C-UNLIM           |
| CD40117BPWR      | ACTIVE                | TSSOP        | PW              | 14   | 2000        | Green (RoHS & no Sb/Br) | CU NIPDAU        | Level-1-260C-UNLIM           |
| CD40117BPWRE4    | ACTIVE                | TSSOP        | PW              | 14   | 2000        | Green (RoHS & no Sb/Br) | CU NIPDAU        | Level-1-260C-UNLIM           |
| CD40117BPWRG4    | ACTIVE                | TSSOP        | PW              | 14   | 2000        | Green (RoHS & no Sb/Br) | CU NIPDAU        | Level-1-260C-UNLIM           |

<sup>(1)</sup> The marketing status values are defined as follows:

**ACTIVE:** Product device recommended for new designs.

**LIFEBUY:** TI has announced that the device will be discontinued, and a lifetime-buy period is in effect.

**NRND:** Not recommended for new designs. Device is in production to support existing customers, but TI does not recommend using this part in a new design.

**PREVIEW:** Device has been announced but is not in production. Samples may or may not be available.

**OBSOLETE:** TI has discontinued the production of the device.

<sup>(2)</sup> Eco Plan - The planned eco-friendly classification: Pb-Free (RoHS), Pb-Free (RoHS Exempt), or Green (RoHS & no Sb/Br) - please check <http://www.ti.com/productcontent> for the latest availability information and additional product content details.

**TBD:** The Pb-Free/Green conversion plan has not been defined.

**Pb-Free (RoHS):** TI's terms "Lead-Free" or "Pb-Free" mean semiconductor products that are compatible with the current RoHS requirements for all 6 substances, including the requirement that lead not exceed 0.1% by weight in homogeneous materials. Where designed to be soldered at high temperatures, TI Pb-Free products are suitable for use in specified lead-free processes.

**Pb-Free (RoHS Exempt):** This component has a RoHS exemption for either 1) lead-based flip-chip solder bumps used between the die and package, or 2) lead-based die adhesive used between the die and leadframe. The component is otherwise considered Pb-Free (RoHS compatible) as defined above.

**Green (RoHS & no Sb/Br):** TI defines "Green" to mean Pb-Free (RoHS compatible), and free of Bromine (Br) and Antimony (Sb) based flame retardants (Br or Sb do not exceed 0.1% by weight in homogeneous material)

<sup>(3)</sup> MSL, Peak Temp. -- The Moisture Sensitivity Level rating according to the JEDEC industry standard classifications, and peak solder temperature.

**Important Information and Disclaimer:**The information provided on this page represents TI's knowledge and belief as of the date that it is provided. TI bases its knowledge and belief on information provided by third parties, and makes no representation or warranty as to the accuracy of such information. Efforts are underway to better integrate information from third parties. TI has taken and continues to take reasonable steps to provide representative and accurate information but may not have conducted destructive testing or chemical analysis on incoming materials and chemicals. TI and TI suppliers consider certain information to be proprietary, and thus CAS numbers and other limited information may not be available for release.

In no event shall TI's liability arising out of such information exceed the total purchase price of the TI part(s) at issue in this document sold by TI to Customer on an annual basis.

**TAPE AND REEL INFORMATION**



**QUADRANT ASSIGNMENTS FOR PIN 1 ORIENTATION IN TAPE**



\*All dimensions are nominal

| Device      | Package Type | Package Drawing | Pins | SPQ  | Reel Diameter (mm) | Reel Width W1 (mm) | A0 (mm) | B0 (mm) | K0 (mm) | P1 (mm) | W (mm) | Pin1 Quadrant |
|-------------|--------------|-----------------|------|------|--------------------|--------------------|---------|---------|---------|---------|--------|---------------|
| CD40117BM96 | SOIC         | D               | 14   | 2500 | 330.0              | 16.4               | 6.5     | 9.0     | 2.1     | 8.0     | 16.0   | Q1            |
| CD40117BNSR | SO           | NS              | 14   | 2000 | 330.0              | 16.4               | 8.2     | 10.5    | 2.5     | 12.0    | 16.0   | Q1            |
| CD40117BPWR | TSSOP        | PW              | 14   | 2000 | 330.0              | 12.4               | 7.0     | 5.6     | 1.6     | 8.0     | 12.0   | Q1            |



**TAPE AND REEL BOX DIMENSIONS**



\*All dimensions are nominal

| Device      | Package Type | Package Drawing | Pins | SPQ  | Length (mm) | Width (mm) | Height (mm) |
|-------------|--------------|-----------------|------|------|-------------|------------|-------------|
| CD40117BM96 | SOIC         | D               | 14   | 2500 | 346.0       | 346.0      | 33.0        |
| CD40117BNSR | SO           | NS              | 14   | 2000 | 346.0       | 346.0      | 33.0        |
| CD40117BPWR | TSSOP        | PW              | 14   | 2000 | 346.0       | 346.0      | 29.0        |

# MECHANICAL DATA

NS (R-PDSO-G\*\*)

PLASTIC SMALL-OUTLINE PACKAGE

14-PINS SHOWN



- NOTES:
- A. All linear dimensions are in millimeters.
  - B. This drawing is subject to change without notice.
  - C. Body dimensions do not include mold flash or protrusion, not to exceed 0,15.

PW (R-PDSO-G\*\*)

PLASTIC SMALL-OUTLINE PACKAGE

14 PINS SHOWN

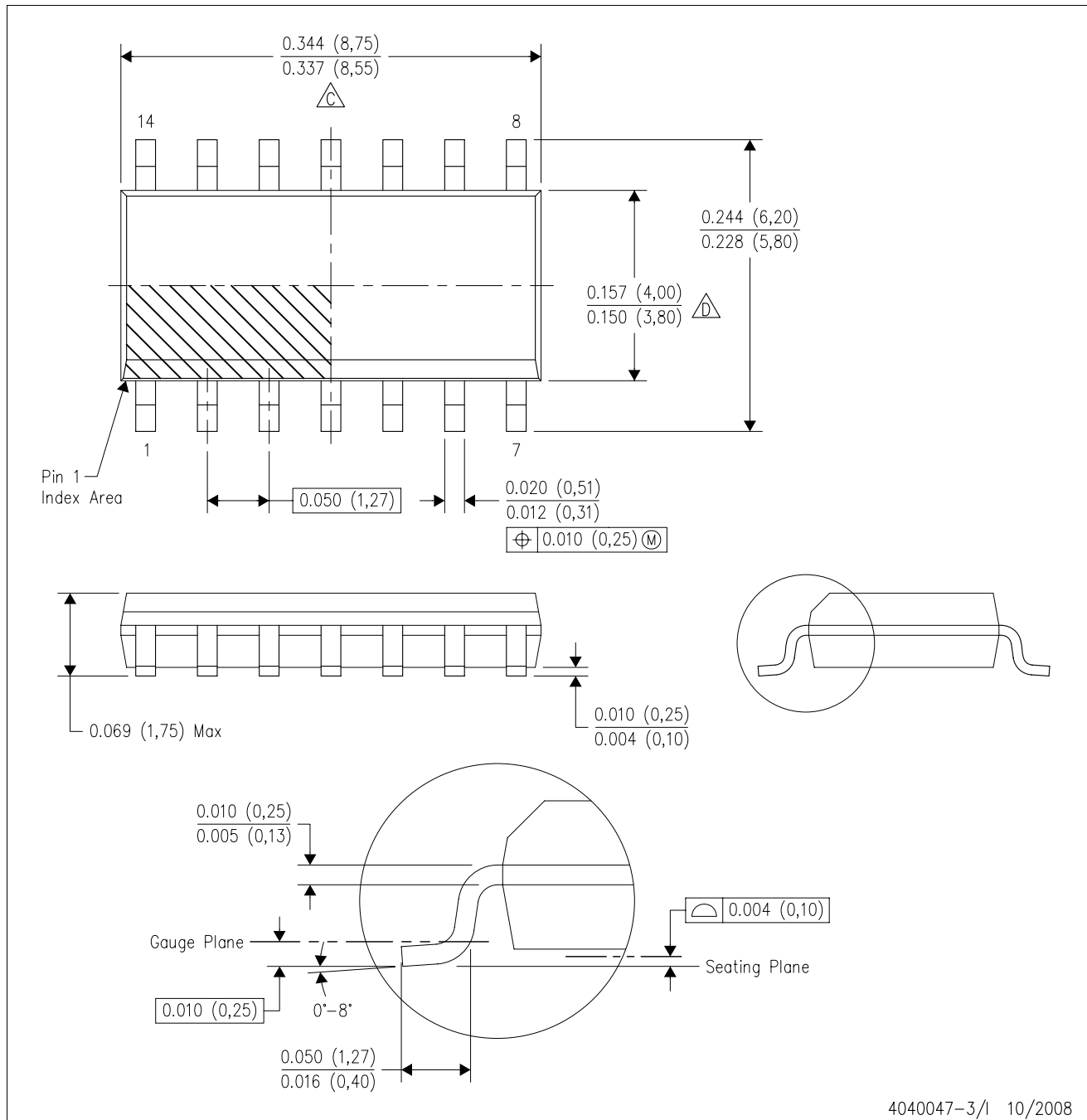


4040064/F 01/97

- NOTES: A. All linear dimensions are in millimeters.  
 B. This drawing is subject to change without notice.  
 C. Body dimensions do not include mold flash or protrusion not to exceed 0,15.  
 D. Falls within JEDEC MO-153

D (R-PDSO-G14)

PLASTIC SMALL-OUTLINE PACKAGE



- NOTES:
- A. All linear dimensions are in inches (millimeters).
  - B. This drawing is subject to change without notice.
  - C. Body length does not include mold flash, protrusions, or gate burrs. Mold flash, protrusions, or gate burrs shall not exceed .006 (0,15) per end.
  - D. Body width does not include interlead flash. Interlead flash shall not exceed .017 (0,43) per side.
  - E. Reference JEDEC MS-012 variation AB.

N (R-PDIP-T\*\*)

PLASTIC DUAL-IN-LINE PACKAGE

16 PINS SHOWN



- NOTES:
- A. All linear dimensions are in inches (millimeters).
  - B. This drawing is subject to change without notice.
  - $\triangle C$  Falls within JEDEC MS-001, except 18 and 20 pin minimum body length (Dim A).
  - $\triangle D$  The 20 pin end lead shoulder width is a vendor option, either half or full width.

4040049/E 12/2002