



Product Description

The SGA2463Z is a high performance SiGe HBT MMIC Amplifier. A Darlington configuration featuring one-micron emitters provides high F_T and excellent thermal performance. The heterojunction increases breakdown voltage and minimizes leakage current between junctions. Cancellation of emitter junction non-linearities results in higher suppression of intermodulation products. Only two DC-blocking capacitors, a bias resistor, and an optional RF choke are required for operation.

Features

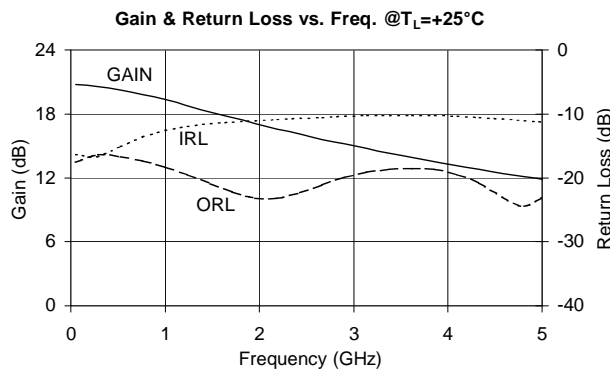
- High Gain: 17.1dB at 1950MHz
- Cascadable 50Ω
- Operates from Single Supply
- Low Thermal Resistance Package

Applications

- PA Driver Amplifier
- Cellular, PCS, GSM, UMTS
- IF Amplifier
- Wireless Data, Satellite

Optimum Technology Matching® Applied

- GaAs HBT
- GaAs MESFET
- InGaP HBT
- SiGe BiCMOS
- Si BiCMOS
- SiGe HBT
- GaAs pHEMT
- Si CMOS
- Si BJT
- GaN HEMT
- RF MEMS



Parameter	Specification			Unit	Condition
	Min.	Typ.	Max.		
Small Signal Gain	18.0	20.0	22.0	dB	850MHz
		17.1		dB	1950MHz
Output Power at 1dB Compression		8.0		dBm	850MHz
		7.2		dBm	1950MHz
Output Third Intercept Point		20.1		dBm	850MHz
		18.0		dBm	1950MHz
Bandwidth Determined by Return Loss (> 10dB)		5000		MHz	
Input Return Loss		11.1		dB	1950MHz
Output Return Loss		23.1		dB	1950MHz
Noise Figure		3.0		dB	1950MHz
Device Operating Voltage	2.4	2.7	3.0	V	
Device Operating Current	17	20	23	mA	
Thermal Resistance (Junction - Lead)		255		°C/W	

Test Conditions: $V_S=5V$, $I_D=20mA$ Typ., OIP_3 Tone Spacing=1MHz, P_{OUT} per tone=-5dBm, $R_{BIAS}=120\Omega$, $T_L=25^\circ C$, $Z_S=Z_L=50\Omega$

Absolute Maximum Ratings

Parameter	Rating	Unit
Max Device Current (I_D)	40	mA
Max Device Voltage (V_D)	5	V
Max RF Input Power	+18	dBm
Max Junction Temp (T_J)	+150	°C
Operating Temp Range (T_L)	-40 to +85	°C
Max Storage Temp	+150	°C

Operation of this device beyond any one of these limits may cause permanent damage. For reliable continuous operation, the device voltage and current must not exceed the maximum operating values specified in the table on page one.

Bias Conditions should also satisfy the following expression:

$$I_D V_D < (T_J - T_L) / R_{TH, j-l}$$



Caution! ESD sensitive device.

Exceeding any one or a combination of the Absolute Maximum Rating conditions may cause permanent damage to the device. Extended application of Absolute Maximum Rating conditions to the device may reduce device reliability. Specified typical performance or functional operation of the device under Absolute Maximum Rating conditions is not implied.

The information in this publication is believed to be accurate and reliable. However, no responsibility is assumed by RF Micro Devices, Inc. ("RFMD") for its use, nor for any infringement of patents, or other rights of third parties, resulting from its use. No license is granted by implication or otherwise under any patent or patent rights of RFMD. RFMD reserves the right to change component circuitry, recommended application circuitry and specifications at any time without prior notice.



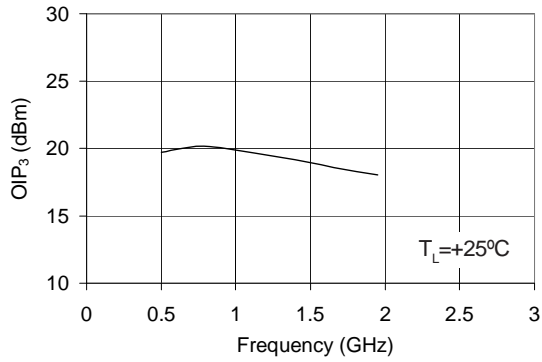
RFMD Green: RoHS compliant per EU Directive 2002/95/EC, halogen free per IEC 61249-2-21, < 1000ppm each of antimony trioxide in polymeric materials and red phosphorus as a flame retardant, and <2% antimony in solder.

Typical Performance at Key Operating Frequencies

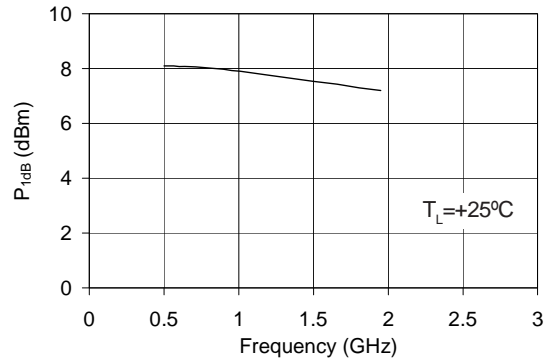
Parameter	Unit	100 MHz	500 MHz	850 MHz	1950 MHz	2400 MHz	3500 MHz
Small Signal Gain	dB		20.3	20.0	17.1		
Output Third Order Intercept Point	dBm		19.7	20.1	18.0		
Output Power at 1dB Compression	dBm		8.1	8.0	7.2		
Input Return Loss	dB	16.7	15.3	13.2	11.1	10.8	10.3
Output Return Loss	dB	17.2	16.6	17.7	23.1	22.4	18.6
Reverse Isolation	dB	23.7	23.1	23.2	22.9	22.5	21.0
Noise Figure	dB		2.7	2.6	3.0		

Test Conditions: $V_S = 5V$, $I_D = 20mA$ Typ., OIP₃ Tone Spacing = 1MHz, P_{OUT} per tone = -5dBm, R_{BIAS} = 120Ω, T_L = 25°C, Z_S = Z_L = 50Ω

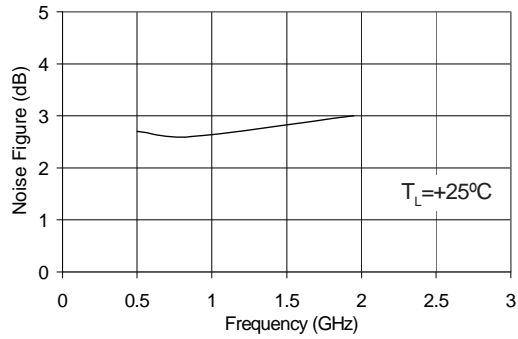
OIP₃ vs. Frequency
 $V_D = 2.7\text{ V}, I_D = 20\text{ mA}$



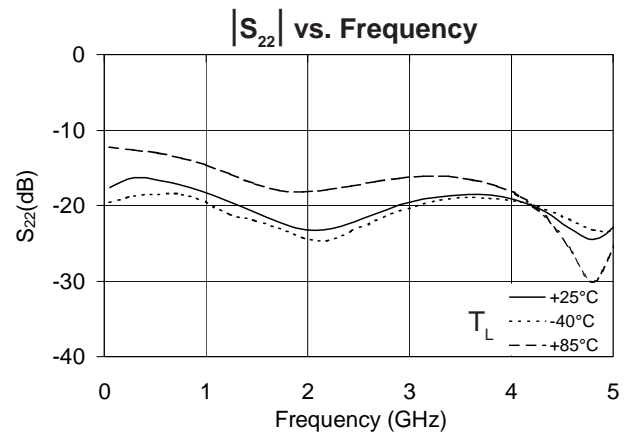
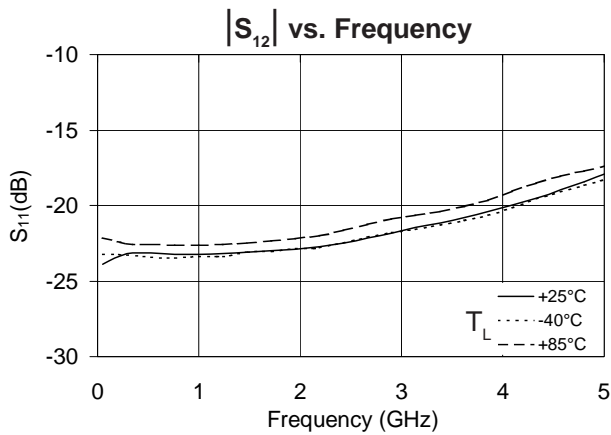
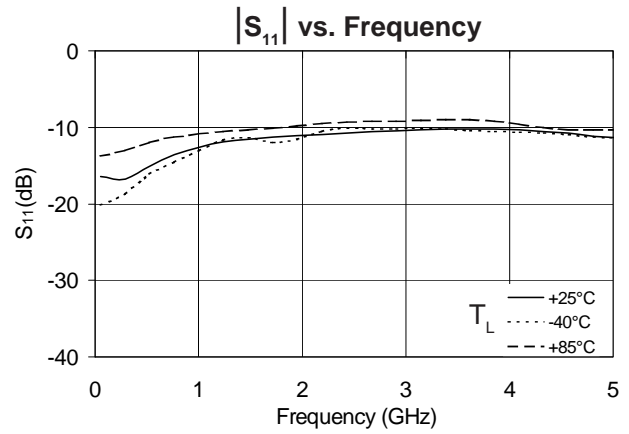
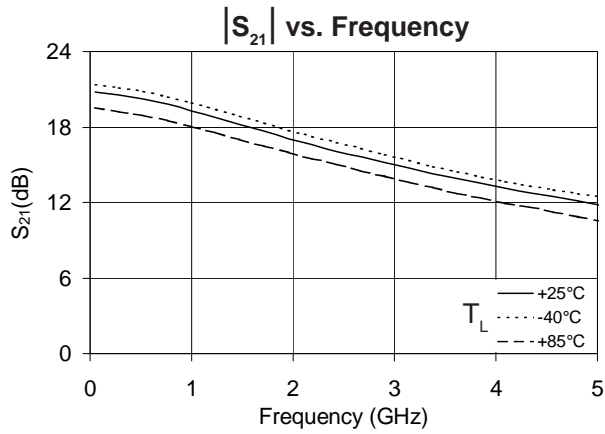
P_{1dB} vs. Frequency
 $V_D = 2.7\text{ V}, I_D = 20\text{ mA}$



Noise Figure vs. Frequency
 $V_D = 2.7\text{ V}, I_D = 20\text{ mA}$

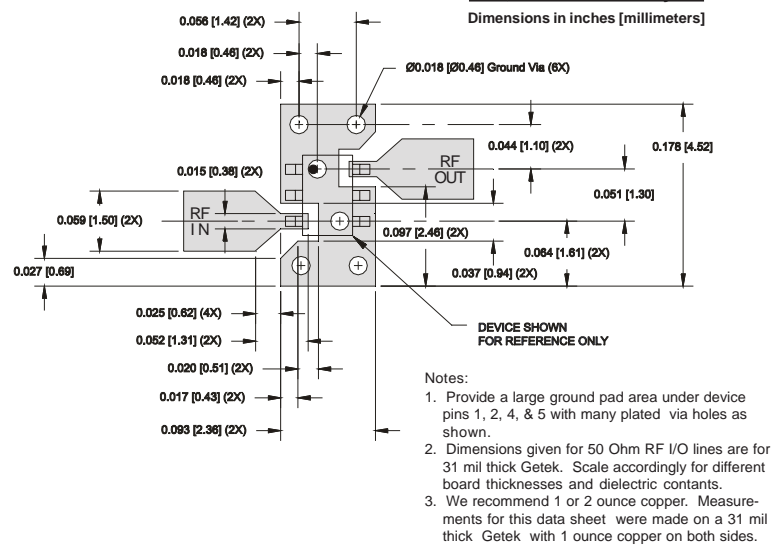


Typical RF Performance Over Temperature (Bias: $V_D=2.7V$, $I_D=20mA$ (Typ.))



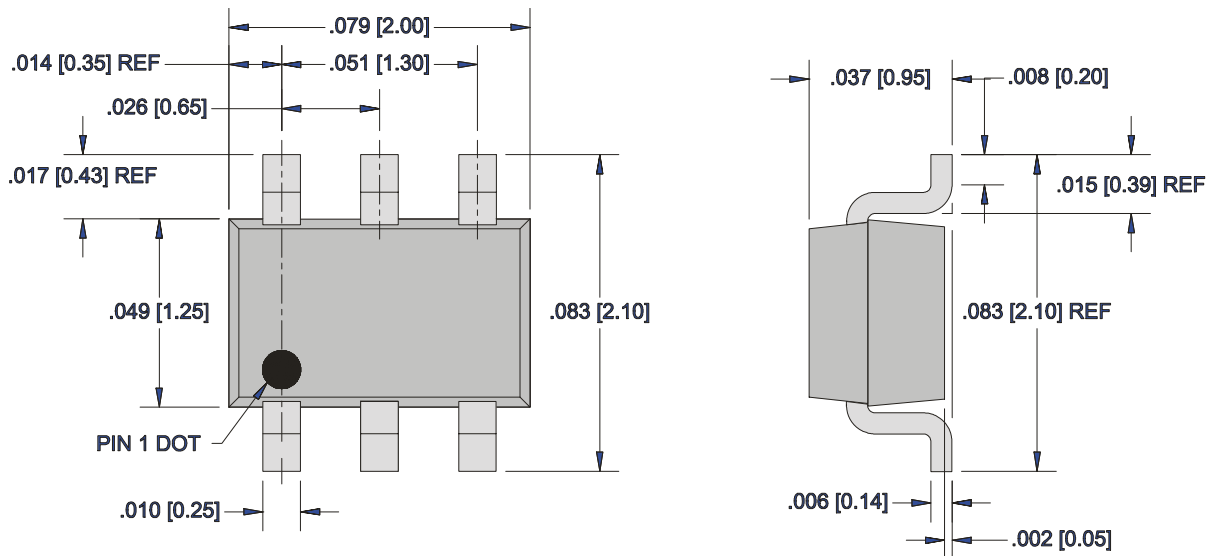
Pin	Function	Description
3	RF IN	RF input pin. This pin requires the use of an external DC-blocking capacitor chosen for the frequency of operation.
1, 2, 4, 5	GND	Connection to ground. For optimum RF performance, use via holes as close to ground leads as possible to reduce lead inductance.
6	RF OUT/BIAS	RF output and bias pin. DC voltage is present on this pin, therefore a DC-blocking capacitor is necessary for proper operation.

Suggested Pad Layout

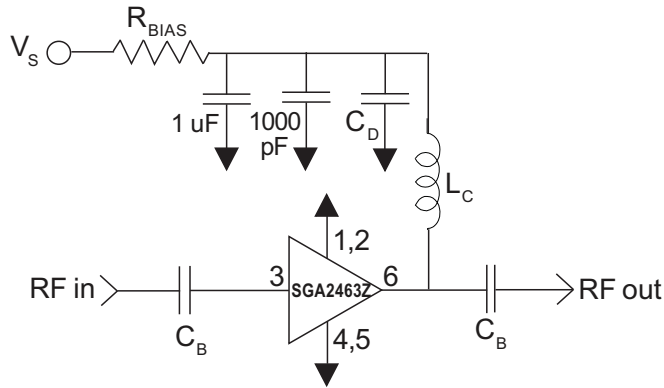


Package Drawing

Dimensions in inches (millimeters)
 Refer to drawing posted at www.rfmd.com for tolerances.



Application Schematic



Reference Designator	Frequency (Mhz)		
	500	850	1950
C _B	220 pF	100 pF	68 pF
C _D	100 pF	68 pF	22 pF
L _C	68 nH	33 nH	22 nH

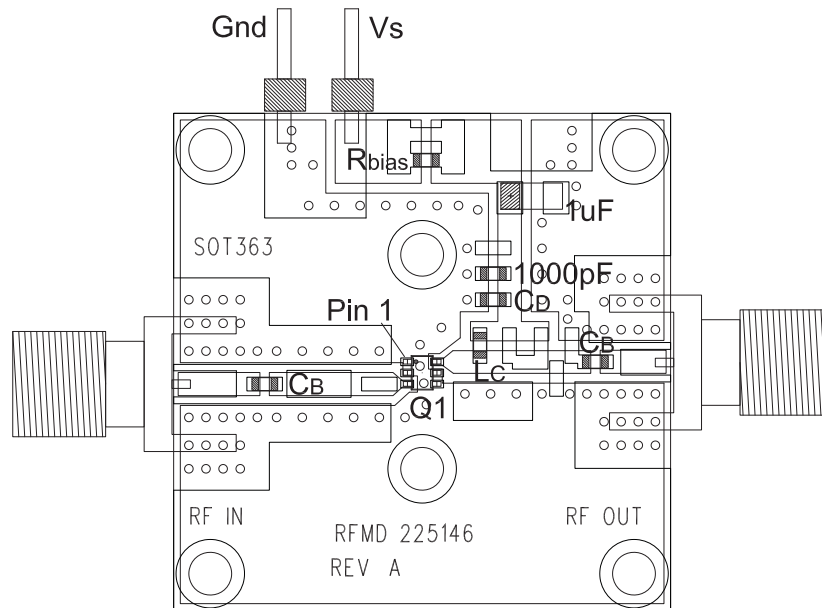
Recommended Bias Resistor Values for I_D=20mA

$$R_{BIAS} = (V_S - V_D) / I_D$$

Supply Voltage(V _S)	5 V	6 V	8 V	10 V
R _{BIAS}	120 Ω	160 Ω	270 Ω	360 Ω

Note: R_{BIAS} provides DC bias stability over temperature.

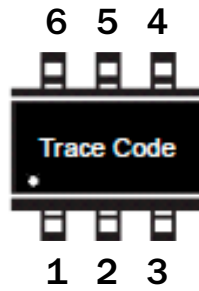
Evaluation Board Layout



Mounting Instructions:

1. Use a large droung pad area near device pins 1, 2, 4, and 5 with plated through-holes as shown.
2. We recommend 1 or 2 ounces copper. Measurements for this data sheet were made on a 31mil thick FR-4 board with 1 ounce copper on both sides.

Part Identification Marking



Ordering Information

Ordering Code	Description
SGA2463Z	7" Reel with 3000 pieces
SGA2463ZSQ	Sample bag with 25 pieces
SGA2463ZSR	7" Reel with 100 pieces
SGA2463ZPCK1	850MHz, 5V Operation PCBA with 5-piece sample bag