

## ZL8800-2PH-DEMO1Z

Demonstration Board

AN1901  
Rev 0.00  
October 31, 2013

The ZL8800 is a digital power conversion and management IC that combines an efficient step-down DC/DC converter with key power and thermal management functions in a single package. The ZL8800 incorporates compensation-free ChargeMode control to achieve single-cycle transient response.

The ZL8800-2PH-DEMO1Z demonstration board is a 6-layer board demonstrating a 2 phase 60A synchronous buck converter. Sequencing, margining, plus other features can be evaluated using this demonstration board.

A USB to PMBus™ adapter board is used to connect the demonstration board to a PC. The PMBus command set is accessed by using the Zilker Labs PowerNavigator™ evaluation software from a PC running Microsoft Windows.

### Key Features

- 2 phase 60A synchronous buck converter with compensation-free ChargeMode control
- Designed to be easy to use and modify. Optimized for small circuit footprint and dynamic response
- Configurable through PMBus
- $V_{IN}$  range of 4.5V to 14V,  $V_{OUT}$  adjustable from 0.54 to 5.5V
- Enable switches and power-good indicators

### Ordering Information

PART NUMBER	DESCRIPTION
ZL8800-2PH-DEMO1Z	ZL8800 Demonstration Kit (EVB, USB Adapter, Cable)

### Target Specifications

- $V_{IN} = 12V$
- $V_{OUT} = 1.2V/60A$  max
- $f_{SW} = 400kHz$
- Efficiency: 91% at 40A
- Output Ripple:  $\pm 1\%$
- Dynamic response:  $\pm 1\%$  (50% to 100% to 50% load step,  $di/dt = 10A/\mu s$ )
- Board temperature:  $+25^{\circ}C$

### Functional Description

The ZL8800-2PH-DEMO1Z provides all circuitry required to demonstrate the features of the ZL8800. The ZL8800-2PH-DEMO1Z has a functionally-optimized ZL8800 circuit layout that allows efficient operation up to the maximum output current.

A majority of the features of the ZL8800, such as compensation-free ChargeMode control, soft-start delay and ramp times, supply sequencing, voltage tracking, and voltage margining are available on this demonstration board. For voltage tracking and sequencing demonstration, the board can be connected to any other Zilker Labs demonstration board that supports the Digital-DC™ (DDC) bus.

Figure 1 shows a simplified schematic diagram of the ZL8800-2PH-DEMO1Z board.

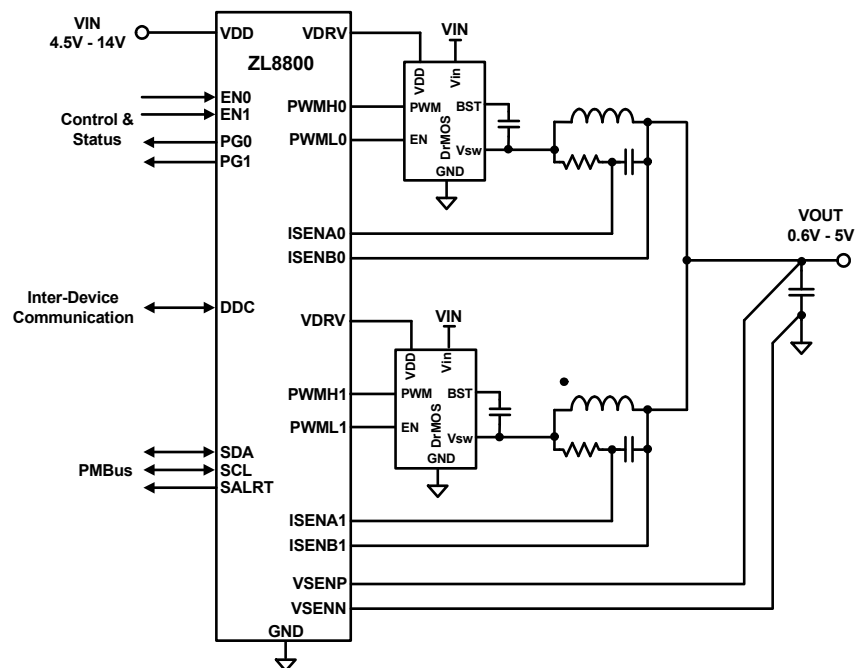


FIGURE 1. ZL8800-2PH-DEMO1Z SIMPLIFIED SCHEMATIC

The hardware enable function is controlled by a toggle switch on the ZL8800-2PH-DEMO1Z board. The power-good (PG) LEDs indicate the correct state of PG for each phase when external power is applied to the ZL8800-2PH-DEMO1Z board and the corresponding phase is functioning properly. The right angle headers at opposite ends of the board are for connecting a USB to PMBus adapter board or for daisy chaining multiple demonstration boards together to build multi-output configurations.

Figures 2 and 3 show the detailed demonstration circuit. Figure 2 shows the ZL8800 IC with its minimal component count to realize a 60A output. Figure 3 has interface circuitry unique to the demonstration board that is not typically contained in a user's application circuit. Figures 4 through 10 show typical performance data, and Figures 15 through 22 demonstrate the PCB board layout. The default configuration file is shown on page 6, and the Bill of Materials (BOM) is included for reference beginning on page 5.

## Operation

### PMBus Operation

The ZL8800 utilizes the PMBus protocol. The PMBus functionality can be controlled via USB from a PC running the PowerNavigator evaluation software in a Windows XP or Windows 7 operating systems.

Install the evaluation software from the following Intersil website:

<http://www.intersil.com/en/products/power-management/zilker-labs-digital-power/powernavigator.html>

For board operation, connect the included USB-to-PMBus adapter board to J8 of the ZL8800-2PH-DEMO1Z board labeled "DONGLE". Connect the desired load and an appropriate power supply to the input and connect the included USB cable to the PC running the PowerNavigator evaluation software. Place the ENABLE switches in "DISABLE" and turn on the power.

The evaluation software allows modification of all ZL8800 PMBus parameters. The ZL8800 device on the board has been pre-configured as described in this document, but the user may modify the operating parameters through the evaluation software or by loading a predefined set-up from a configuration file.

The ENABLE switch can then be moved to "ENABLE" and the ZL8800-2PH-DEMO1Z board can be tested. Alternately, the PMBus ON\_OFF\_CONFIG and OPERATION commands may be used from the PowerNavigator GUI.

## Quick Start Guide

### Stand Alone Operation

1. Set ENABLE switch to "DISABLE"
2. Apply load to VOUT0 and/or VOUT1
3. Connect the USB to PMBus adapter board to J8 (labeled "DONGLE") of ZL8800-2PH-DEMO1Z
4. Connect supplied USB cable from computer to USB to PMBus adapter board
5. Connect power supply to VIN (supply turned off)
6. Turn power supply on
7. Set ENABLE switch to "ENABLE"
8. Monitor ZL8800-2PH-DEMO1Z board operation using an oscilloscope

### USB (PMBus) Operation

1. Set ENABLE switch to "DISABLE"
2. Apply load to VOUT and/or VOUT1
3. Connect power supply to VIN (supply turned off)
4. Turn power supply on
5. Connect USB to PMBus adapter board to J8 of ZL8800-2PH-DEMO1Z
6. Connect supplied USB cable from computer to USB to PMBus adapter board.

Install the PowerNavigator evaluation software from the following Intersil website:

<http://www.intersil.com/en/products/power-management/zilker-labs-digital-power/powernavigator.html>

7. Set ENABLE switch to "ENABLE".
8. Monitor and configure the ZL8800-2PH-DEMO1Z board using PMBus commands in the evaluation software.
9. Test the ZL8800-2PH-DEMO1Z operation using an oscilloscope and the evaluation software.

# ZL8800-2PH-DEMO1Z Board Schematics

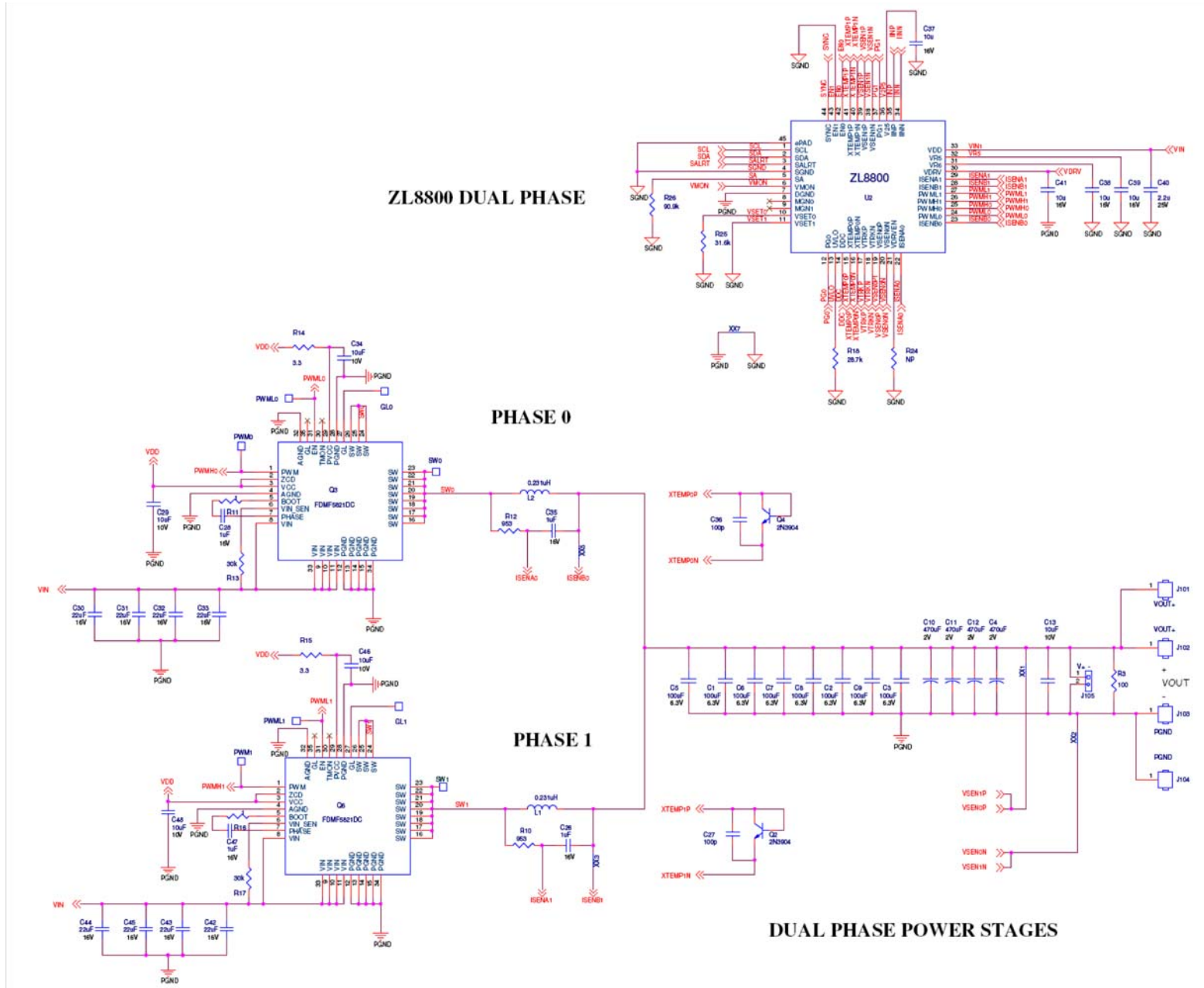
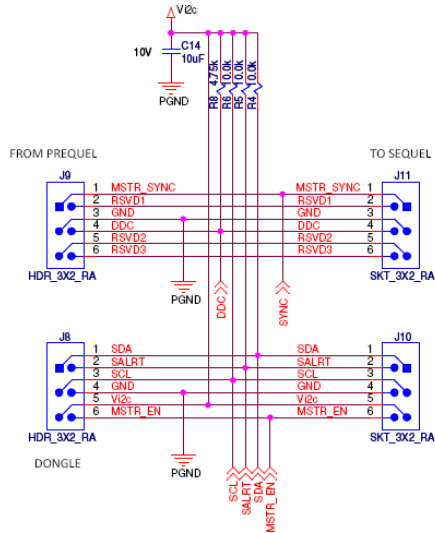


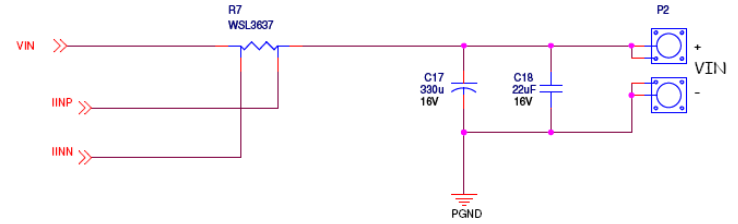
FIGURE 2. APPLICATION CIRCUIT

# ZL8800-2PH-DEMO1Z Board Schematics (Continued)

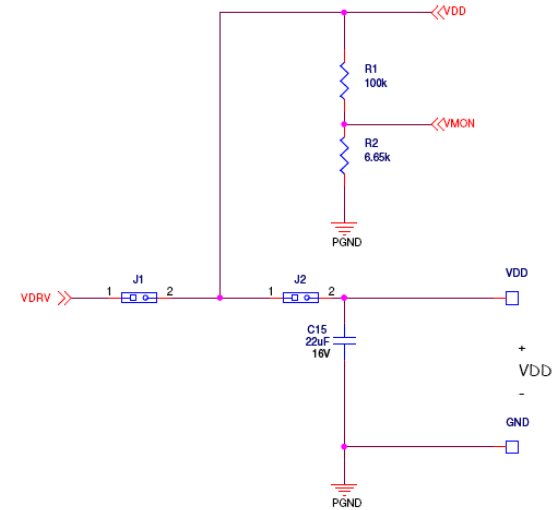
## BOARD TO BOARD INTERFACE



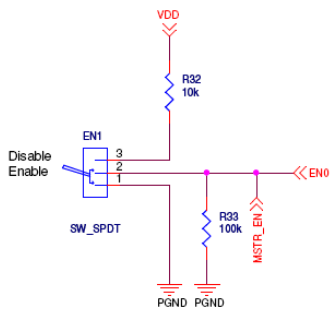
## INPUT CONNECTORS



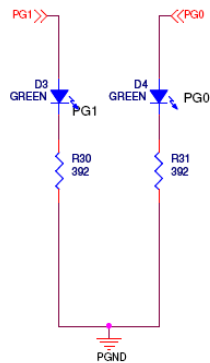
## DRIVER SUPPLY CONNECTORS



## ENABLE



## POWER GOOD



## TRACKING

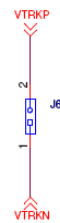


FIGURE 3. ZL8800-2PH-DEMO1Z AUXILIARY CIRCUITRY

## ZL8800-2PH-DEMO1Z Bill of Materials

QTY	REFERENCE	VALUE	TOL	RATING	TYPE	PCB FOOTPRINT	MFR	PART NUMBER
1	U2	ZL8800	-	14V	-	MLF44_7X7_XX	Intersil-Zilker Labs	ZL8800ALAFK
8	C1, C2, C3, C5, C6, C7, C8, C9	100µF	20%	6.3V	X5R	SM1210	Taiyo Yuden	JMK325BJ107MY-T
4	C4, C10, C11, C12	470µF	20%	2V	AL	SM7343P	Panasonic	EEF-SX0D471E4
5	C13, C46, C34, C48, C29	10µF	10%	10V	X5R	SM0805	Taiyo Yuden	LMK212B7106KG-TD
10	C15, C18, C30, C31, C32, C33, C42, C43, C44, C45	22µF	20%	16V	X5R	SM1206	Murata	GRM31CR61C226ME15L
1	C17	330u	20%	16V	AL POLY	SM_CAP_10.5X10.5	UNITED CHEMI	APXA160ARA331MJCOG
4	C47, C26, C28, C35	1µF	20%	16V	X7R	SM0603	TDK	C1608X7R1C105K
2	C27, C36	100p	5%	50V	NPO	SM0402_WSS	MURATA	GRM1555C1H101JZ01D
4	C38, C39, C41, C37	10µ	0.2	16V	X5R	SM0603	Taiyo Yuden	EMK107BBJ106MA-T
1	C40	2.2µ	10%	25V	X5R	SM0805	MURATA	GRM21BR71E225KA73L
2	L1, L2	0.231µH	5%	35A	FERRITE	IND_SLC1175	Coil Craft	SLC1175-231ME_
2	Q6, Q3	FDMF5821DC	-	60A/20V	DR MOS	PQFN40_5X5_P5S	Fairchild	FDMF5821DC
2	Q2, Q4	2N3904	-	40V	NPN	SOT-23	ON SEMI	MMBT3904LT1G
2	R1, R33	100k	1%	63mW	THK FILM	SM0603	Panasonic	ERJ-3EKF1003V
1	R2	6.65k	1%	63mW	THK FILM	SM0603	Panasonic	ERJ-3EKF6651V
1	R3	100	1%	100mW	THK FILM	SM0805	Panasonic	ERJ-6ENF1000V
1	R7	5mΩ	1%	3W	THK FILM	WSL3637	Vishay Dale	WSL36375L000FEA
2	R16, R11	1	5%	63mW	THK FILM	SM0603	Panasonic	ERJ-2RKF1R00X
2	R10, R12	953	1%	63mW	THK FILM	SM0603	Panasonic	ERJ-3EKF9530V
1	R18	28.7k	1%	50mW	THK FILM	SM0402	Panasonic	ERJ-3EKF2872V
1	R25	31.6k	1%	63mW	THK FILM	SM0603	Panasonic	ERJ-3EKF3162V
0	R26	90.9k	1%	63mW	THK FILM	SM0603	Panasonic	ERJ-3EKF9092V
2	R17, R13	30k	5%	63mW	THK FILM	SM0603	Panasonic	ERJ-3GEYJ303V
2	R14, R15	3.3Ω	5%	63mW	THK FILM	SM0603	Panasonic	ERJ-3GEYJ3R3V
<b>DEMONSTRATION BOARD SPECIFIC AUXILIARY PARTS BILL OF MATERIALS</b>								
2	R30, R31	392	1%	63mW	THK FILM	SM0603	Panasonic	ERJ-3EKF3920V
0	R24	NOT USED	-		-	SM0603	-	-
1	R8	4.75k	1%	63mW	THK FILM	SM0603	Panasonic	ERJ-2RKF4751X
4	R4, R5, R6, R32	10.0k	1%	63mW	THK FILM	SM0603	Panasonic	ERJ-2RKF1002X
2	P2	JACK_BANANA	-	15A	-	JACK_F_NI_2P.750SP	EMERSON	108-0740-001
2	D3, D4	GREEN	-	2V, 20mA	LED	SM0805	CHICAGO MINI	CMD17-21VGC/TR8
1	EN1	SW_SPDT	-	-	PCB VERT	SW_TOG_SPDT	NKK	G12AP
3	J1, J2, J105	2 POS	-	-	VERT	SIP2/100	SAMTEC	TSW-102-07-L-S
2	J8, J9	HDR_3X2_RA	-	-	RA	HDRMDUALRA100X100	SAMTEC	TSW-103-08-T-D-RA
2	J10, J11	SKT_3X2_RA	-	-	RA	HDRFDUALRA100X100	SAMTEC	SSQ-103-02-T-D-RA
4	J101, J102, J103, J104	VOUT+, PGND	-	-	-	JACK_F_175PLUG	Burndy	KPA8CTP
1	C14	10µF	10%	10V	X5R	SM1206	Murata	GRM31CR61A106KA01L
0	VDD	TP	-	Red	PC Test Point	TP_036H_SSREF	Keystone Electronics	5000
0	GND	TP	-	Black	PC Test Point	TP_036H_SSREF	Keystone Electronics	5001

## Configuration File

The following text is loaded into the ZL8800 device on the ZL8800-2PH-DEMO1Z as default settings. Each PMBus command is loaded via the PowerNavigator software. The # symbol is used for a comment line.

# Initialize device to factory settings

```
RESTORE_FACTORY
STORE_DEFAULT_ALL
STORE_USER_ALL
```

```
### Begin Default Store
RESTORE_DEFAULT_ALL
```

# Global commands

```
FREQUENCY_SWITCH      0xfb20      # 400 kHz
VIN_OV_FAULT_LIMIT    0xd380      # 14 V
VIN_OV_FAULT_RESPONSE 0xff
VIN_OV_WARN_LIMIT     0xd360      # 13.5 V
VIN_UV_WARN_LIMIT     0xca40      # 4.5 V
VIN_UV_FAULT_LIMIT    0xca00      # 4 V
VIN_UV_FAULT_RESPONSE 0xff
IIN_CAL_GAIN          0xca80      # 5 mV/A
DDC_ENG               0xa5a
USER_GLOBAL_CONFIG    0x100
VMON_OV_FAULT_RESPONSE 0x80
VMON_UV_FAULT_RESPONSE 0x80
PRIVATE_PASSWORD
PUBLIC_PASSWORD
UNPROTECT
0x00FFFFFFFFFFFFFFFFFFFFFFFFFFFFFFFFFFFFFFFF
FFFFFFFFFFFFFFFF
```

# PAGE 0 commands

```
PAGE                0x0
ON_OFF_CONFIG       0x17
VOUT_COMMAND        0x2666      # 1.2 V
VOUT_TRIM           0x0        # 0 V
VOUT_CAL_OFFSET     0x0        # 0 V
VOUT_MAX            0x4000      # 2 V
VOUT_MARGIN_HIGH    0x2852      # 1.26 V
VOUT_MARGIN_LOW     0x247b      # 1.14 V
VOUT_TRANSITION_RATE 0xba00      # 1 mV/us
VOUT_DROOP          0x0        # 0 mV/A
INTERLEAVE          0x0
IOUT_CAL_GAIN       0xb127      # 0.288 mV/A
IOUT_CAL_OFFSET     0xbe00      # -1 A
VOUT_OV_FAULT_LIMIT 0x2a6f      # 1.326 V
VOUT_OV_FAULT_RESPONSE 0x80
VOUT_UV_FAULT_LIMIT 0x225e      # 1.074 V
VOUT_UV_FAULT_RESPONSE 0x80
IOUT_OC_FAULT_LIMIT 0xe370      # 55 A
IOUT_UC_FAULT_LIMIT 0xe490      # -55 A
OT_FAULT_LIMIT      0xebe8      # 125 °C
OT_FAULT_RESPONSE   0x80
OT_WARN_LIMIT       0xeb70      # 110 °C
UT_WARN_LIMIT       0xdc40      # -30 °C
UT_FAULT_LIMIT      0xe530      # -45 °C
```

```
UT_FAULT_RESPONSE   0x80
POWER_GOOD_ON       0x228f      # 1.08 V
TON_DELAY           0xca80      # 5 ms
TON_RISE            0xca80      # 5 ms
TOFF_DELAY          0xca80      # 5 ms
TOFF_FALL           0xca80      # 5 ms
DEADTIME_MAX        0x3838
ISENSE_CONFIG       0x4204
USER_CONFIG         0x786
DDC_CONFIG          0x101
POWER_GOOD_DELAY    0xba00      # 1 ms
PID_TAPS            0x64
INDUCTOR            0xb114      # 0.27 uH
VOUT_MARGIN_RATIO   0xca80      # 5 %
OVUV_CONFIG         0x0
XTEMP_SCALE         0xba00      # 1 1/°C
XTEMP_OFFSET        0x8000      # 0 °C
TEMPCO_CONFIG       0xa7
DEADTIME            0x1010
DEADTIME_CONFIG     0x8080
ASCR_CONFIG         0x15a0100
SEQUENCE            0x0
TRACK_CONFIG        0x0
DDC_GROUP           0x0
MFR_IOUT_OC_FAULT_RESPONSE 0x80
MFR_IOUT_UC_FAULT_RESPONSE 0x80
IOUT_AVG_OC_FAULT_LIMIT 0xe230      # 35 A
IOUT_AVG_UC_FAULT_LIMIT 0xe5d0      # -35 A
SNAPSHOT_CONTROL    0x0
MFR_VMON_OV_FAULT_LIMIT 0xcb00      # 6 V
MFR_VMON_UV_FAULT_LIMIT 0xca00      # 4 V
```

# PAGE 1 commands

```
PAGE                0x1
VOUT_COMMAND        0x2666      # 1.2 V
VOUT_MAX            0x4000      # 2 V
VOUT_MARGIN_HIGH    0x2852      # 1.26 V
VOUT_MARGIN_LOW     0x247b      # 1.14 V
IOUT_CAL_GAIN       0xb127      # 0.288 mV/A
IOUT_CAL_OFFSET     0xbe00      # -1 A
VOUT_OV_FAULT_LIMIT 0x2a6f      # 1.326 V
VOUT_UV_FAULT_LIMIT 0x225e      # 1.074 V
IOUT_OC_FAULT_LIMIT 0xe370      # 55 A
IOUT_UC_FAULT_LIMIT 0xe490      # -55 A
POWER_GOOD_ON       0x228f      # 1.08 V
USER_CONFIG         0x786
DDC_CONFIG          0x2101
INDUCTOR            0xb114      # 0.27 uH
TEMPCO_CONFIG       0xa7
IOUT_AVG_OC_FAULT_LIMIT 0xe230      # 35 A
IOUT_AVG_UC_FAULT_LIMIT 0xe5d0      # -35 A
MFR_VMON_OV_FAULT_LIMIT 0xcb00      # 6 V
MFR_VMON_UV_FAULT_LIMIT 0xca00      # 4 V
```

```
STORE_DEFAULT_ALL
### End Default Store
```

## Measured Data

The following data was acquired using a ZL8800-2PH-DEMO1Z Rev B demonstration board.

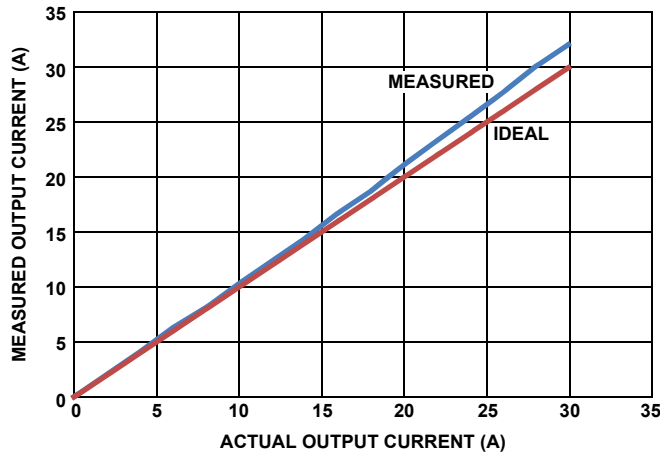


FIGURE 4. OUTPUT CURRENT MEASUREMENT ACCURACY (Single Phase)

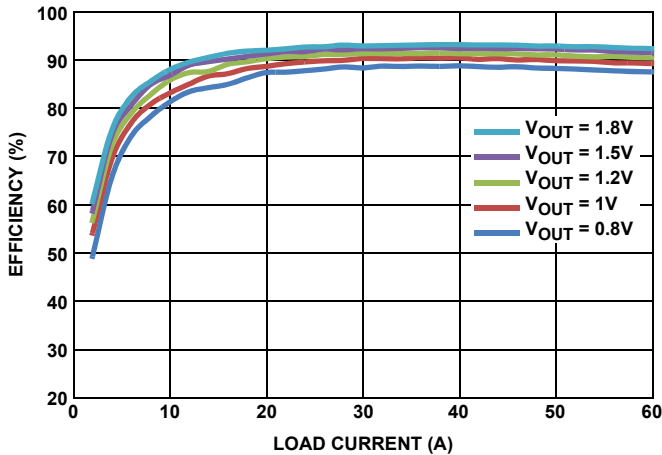


FIGURE 5. EFFICIENCY,  $V_{IN} = 12V$ ,  $f_{SW} = 300kHz$

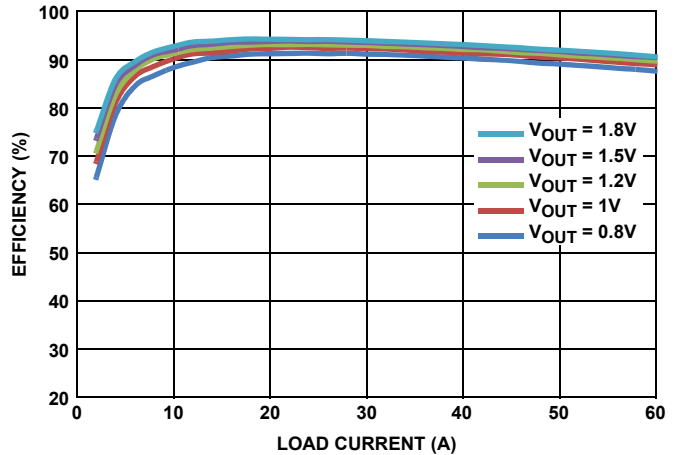


FIGURE 6. EFFICIENCY,  $V_{IN} = 5V$ ,  $f_{SW} = 300kHz$

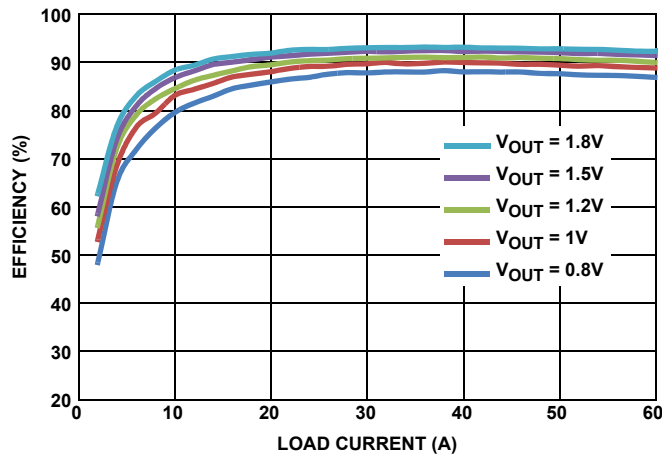


FIGURE 7. EFFICIENCY,  $V_{IN} = 12V$ ,  $f_{SW} = 400kHz$

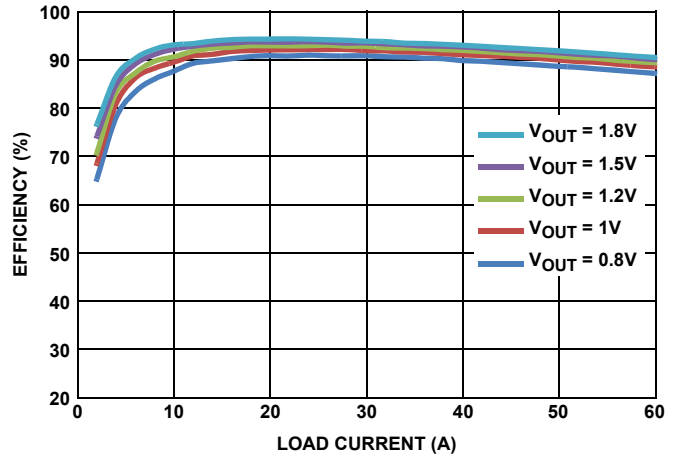


FIGURE 8. EFFICIENCY,  $V_{IN} = 5V$ ,  $f_{SW} = 400kHz$

**Measured Data** The following data was acquired using a ZL8800-2PH-DEMO1Z Rev B demonstration board. (Continued)

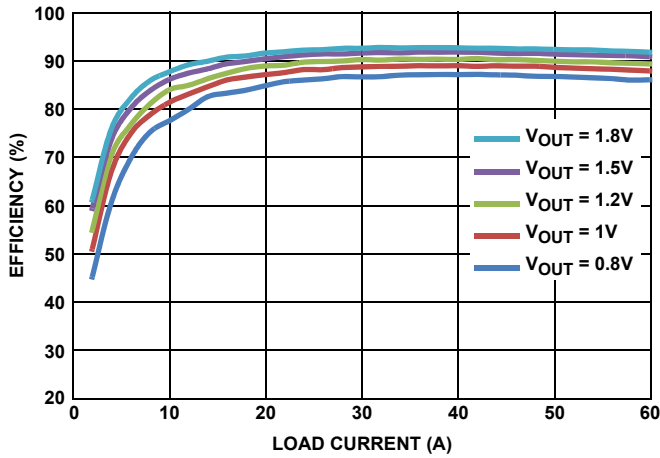


FIGURE 9. EFFICIENCY, V<sub>IN</sub> = 12V, f<sub>SW</sub> = 516kHz

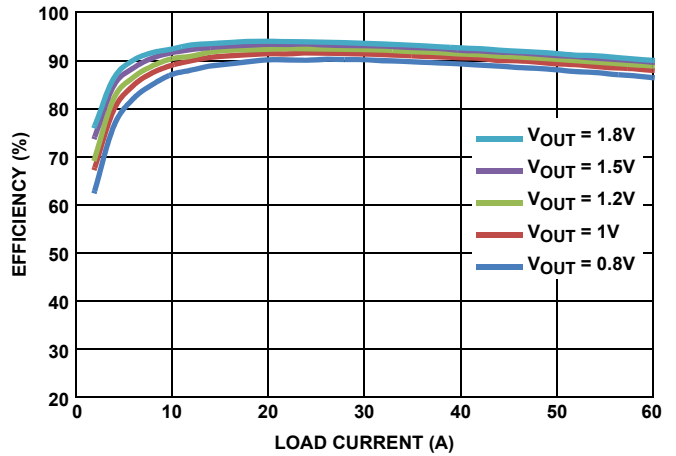


FIGURE 10. EFFICIENCY, V<sub>IN</sub> = 5V, f<sub>SW</sub> = 516kHz



FIGURE 11. RAMP UP



FIGURE 12. RAMP DOWN

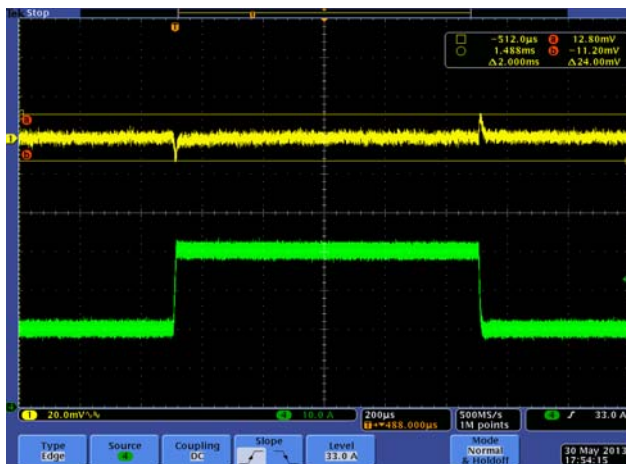


FIGURE 13. STEP RESPONSE, 20A TO 40A @ 5A/µs, ASCR = 1200  
TOTAL DEVIATION WINDOW 25mV = 2.5%



FIGURE 14. STEP RESPONSE, 20A TO 40A @ 5A/µs, ASCR = 400  
TOTAL DEVIATION WINDOW 50mV = 5%



# ZL8800-2PH-DEMO1Z Board Layout

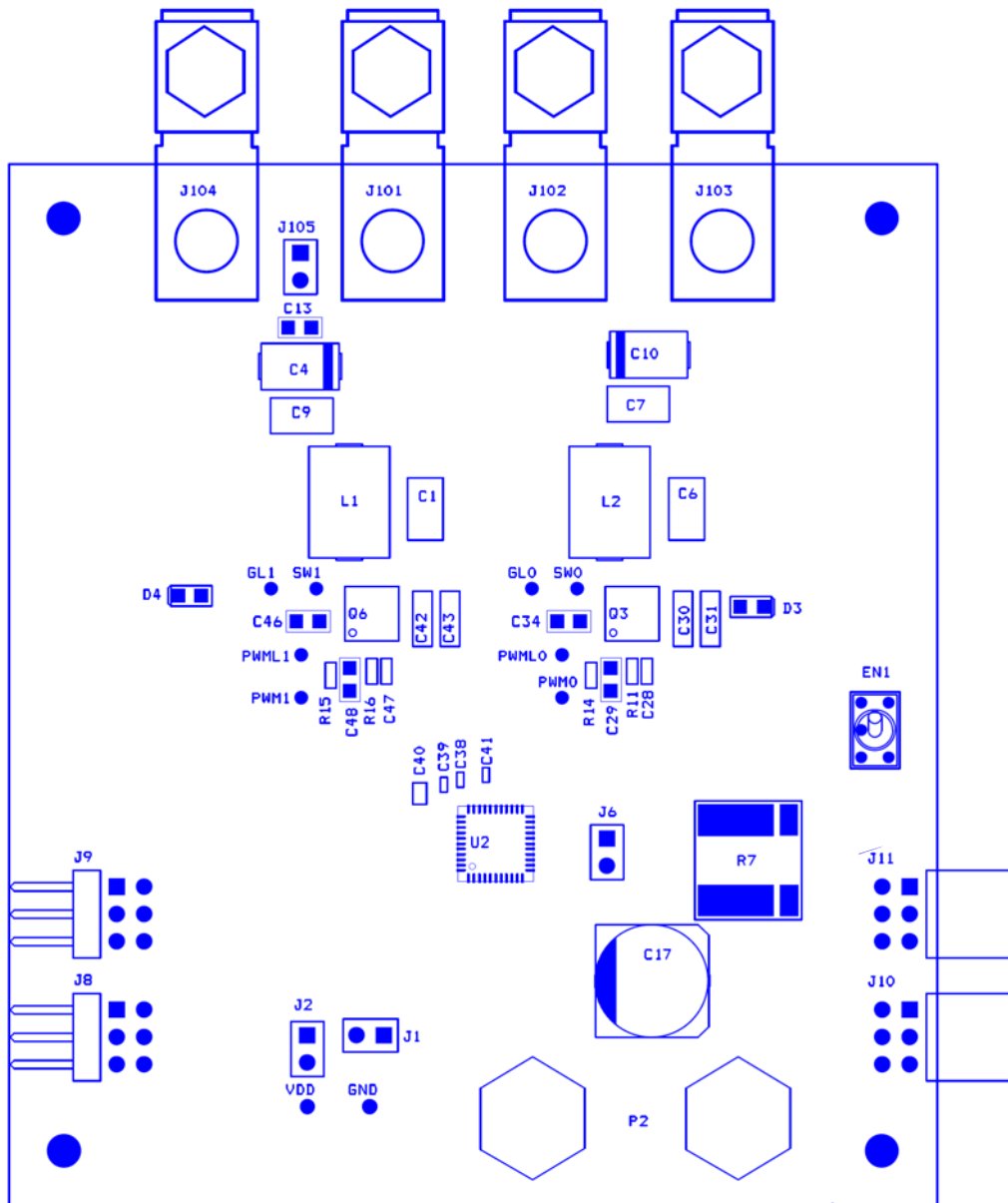


FIGURE 15. PCB - TOP ASSEMBLY

## ZL8800-2PH-DEMO1Z Board Layout (Continued)

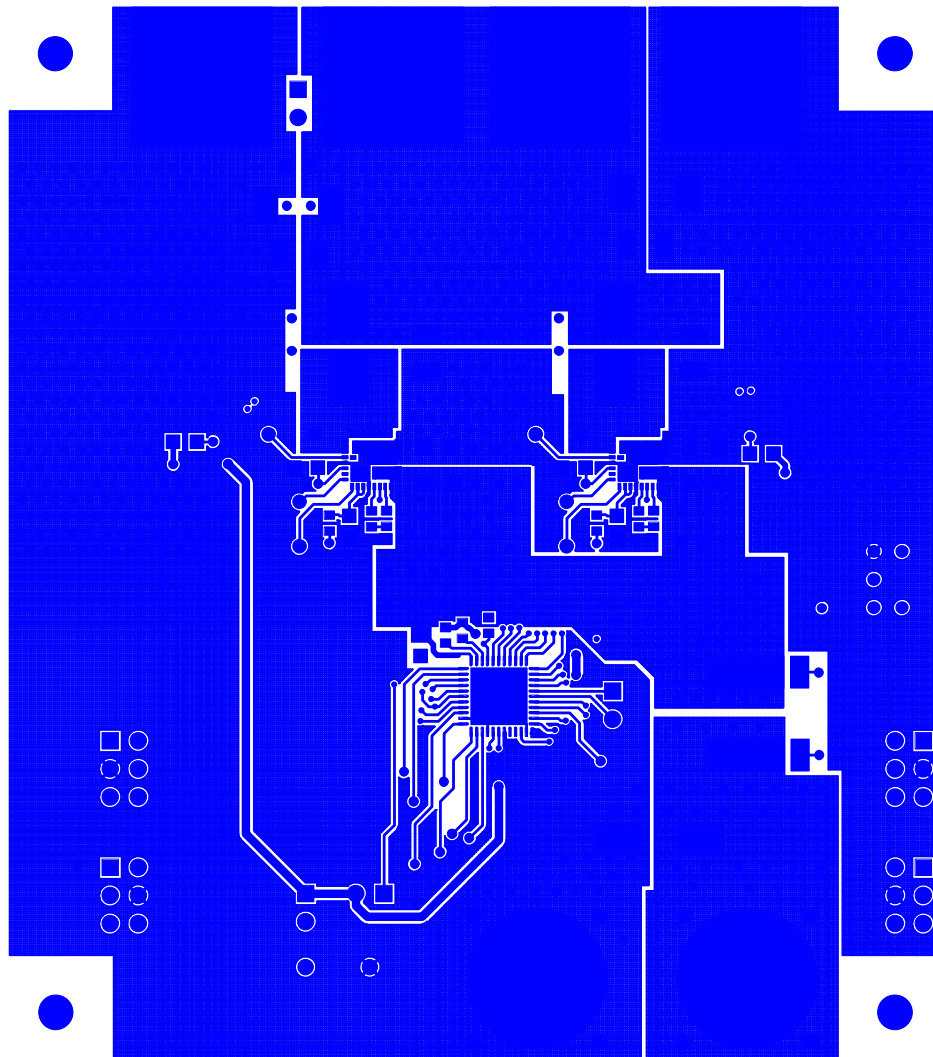


FIGURE 16. PCB - TOP LAYER

# ZL8800-2PH-DEMO1Z Board Layout (Continued)

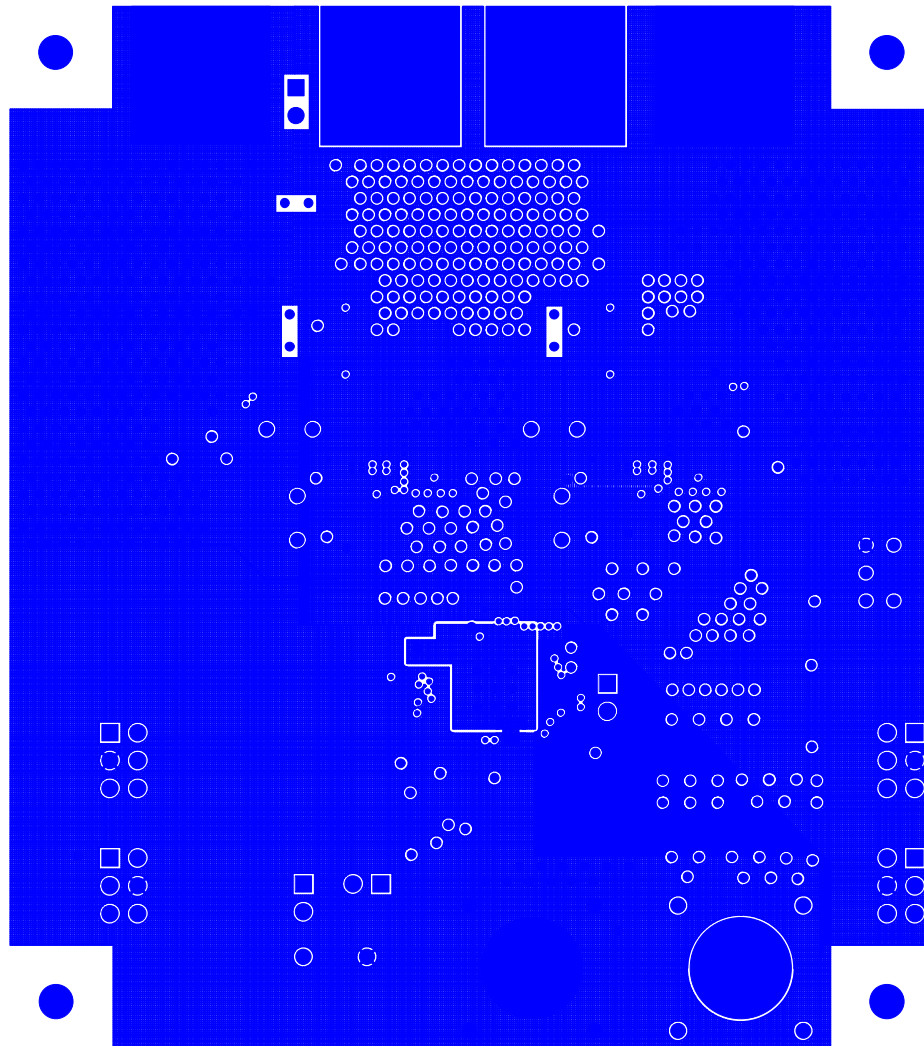


FIGURE 17. PCB - INNER LAYER 1 (TOP VIEW)

## ZL8800-2PH-DEMO1Z Board Layout (Continued)

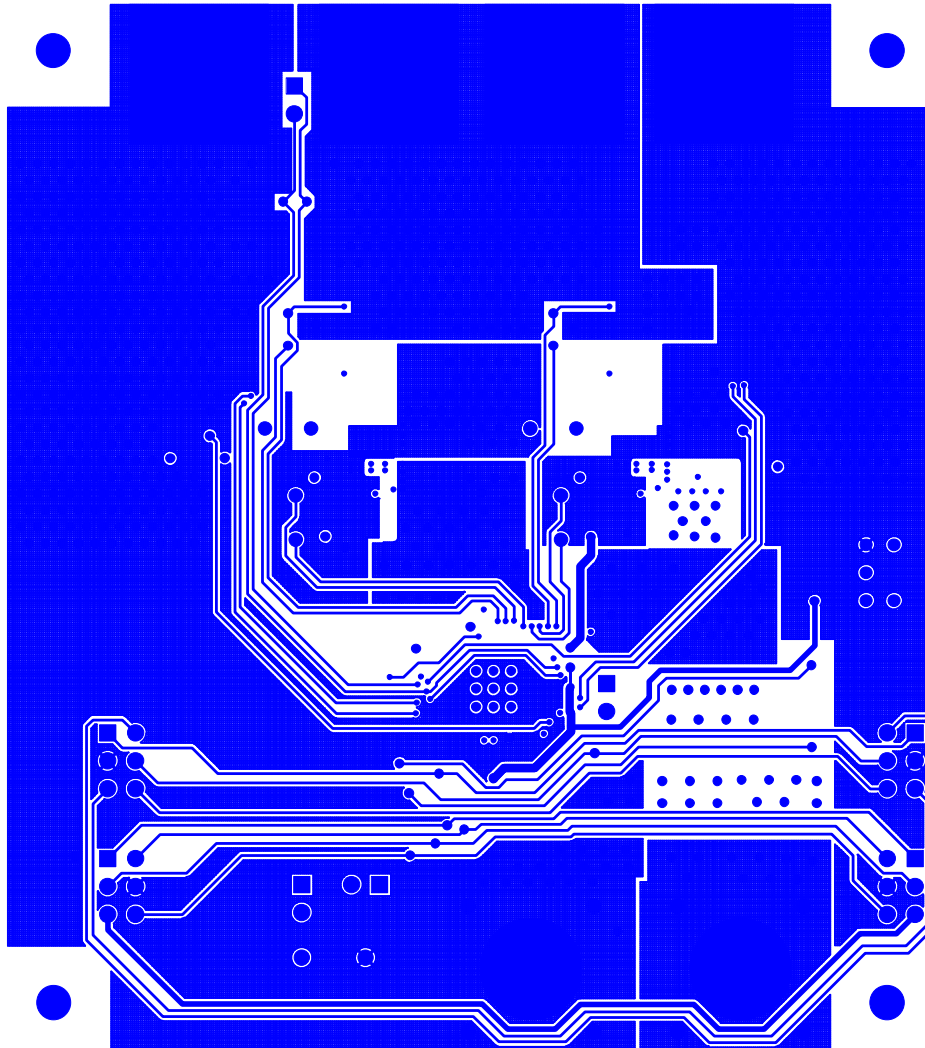


FIGURE 18. PCB - INNER LAYER 2 (TOP VIEW)

# ZL8800-2PH-DEMO1Z Board Layout (Continued)

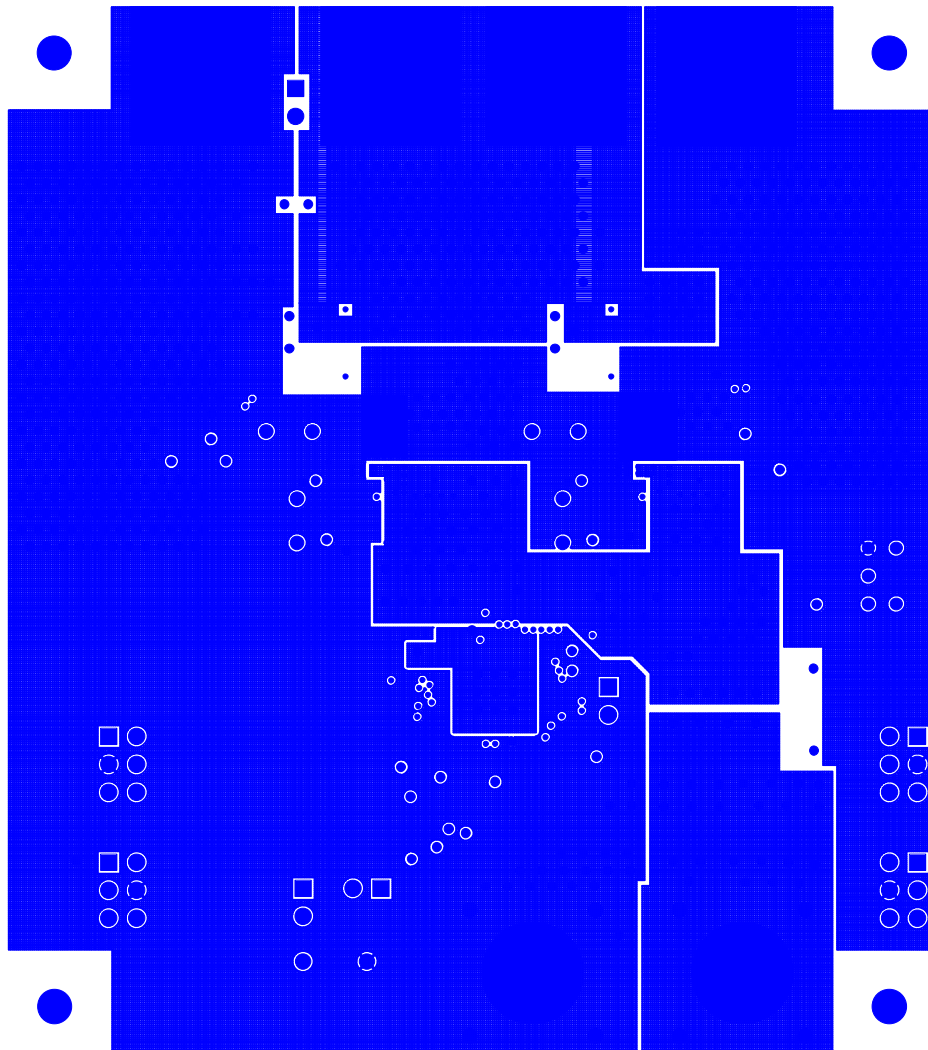


FIGURE 19. PCB - INNER LAYER 3 (TOP VIEW)

# ZL8800-2PH-DEMO1Z Board Layout (Continued)

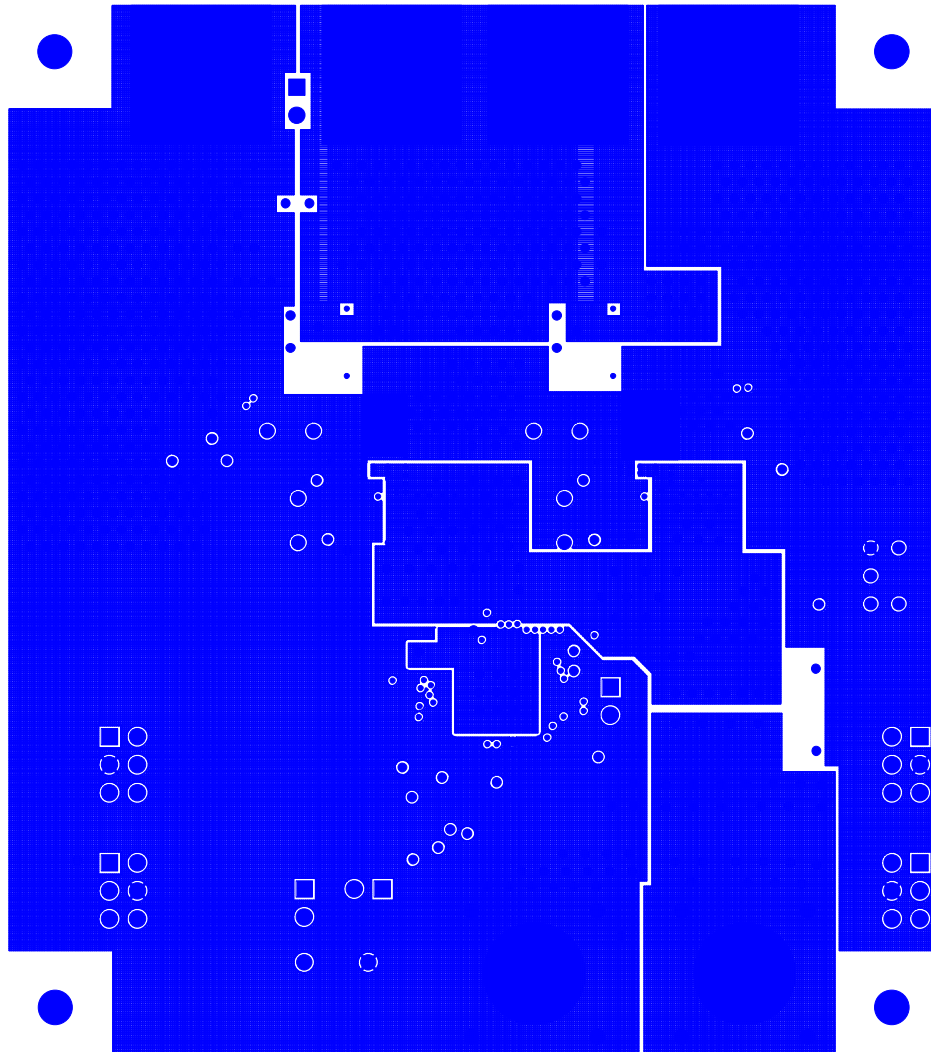


FIGURE 20. PCB - INNER LAYER 4 (TOP VIEW)

## ZL8800-2PH-DEMO1Z Board Layout (Continued)

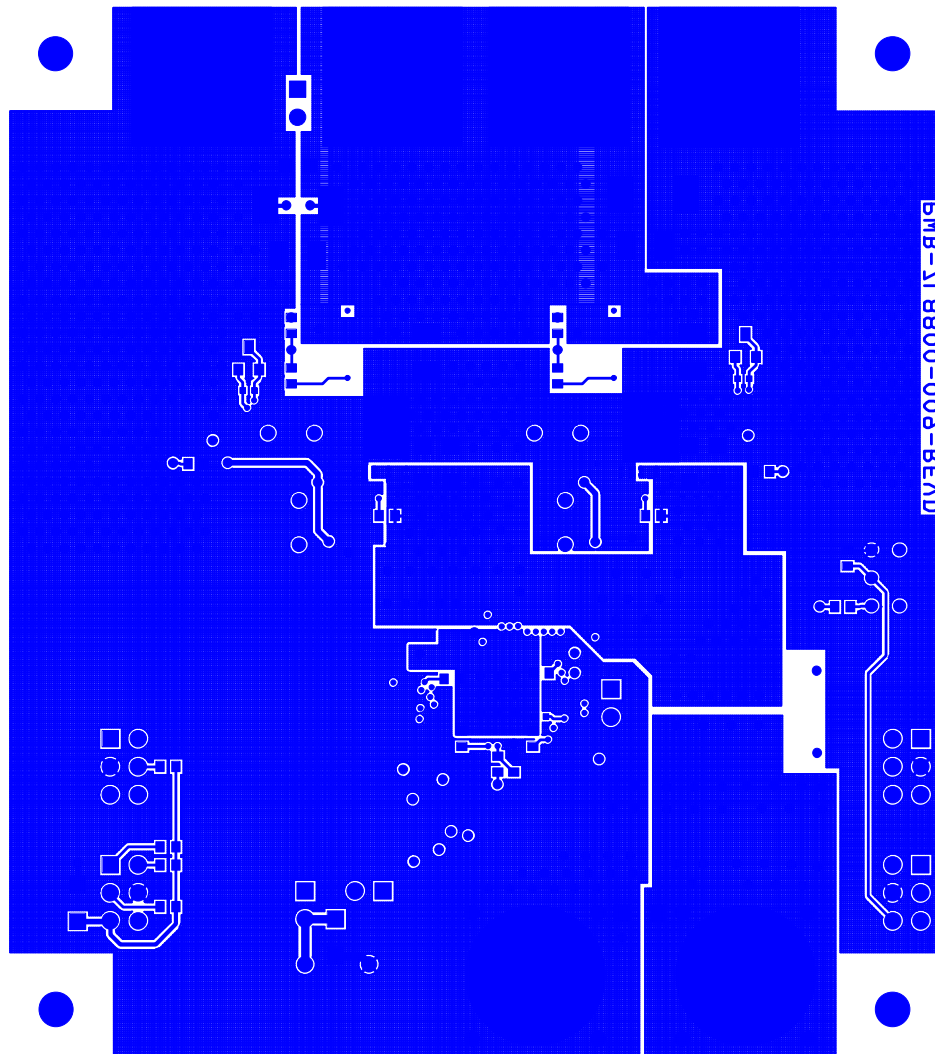


FIGURE 21. PCB - BOTTOM LAYER (TOP VIEW)

## ZL8800-2PH-DEMO1Z Board Layout (Continued)

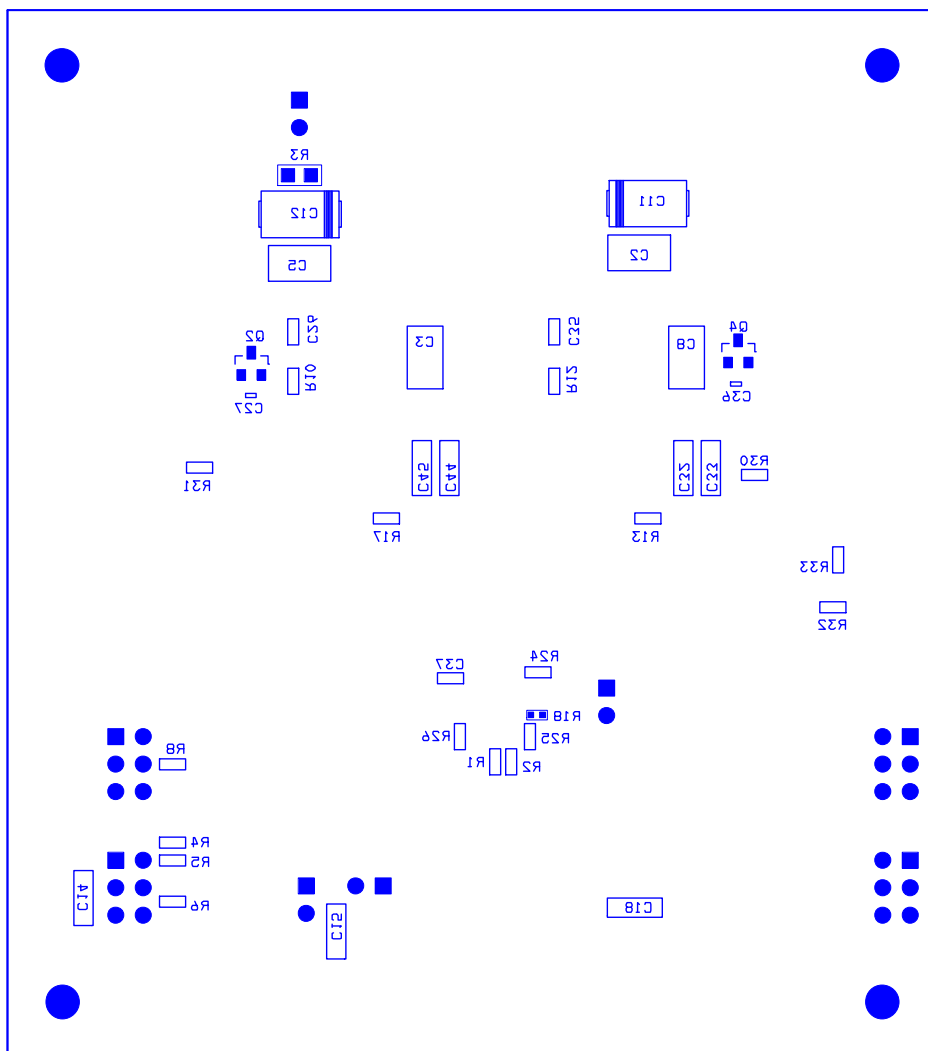


FIGURE 22. PCB - BOTTOM ASSEMBLY (TOP VIEW)

## Related Tools and Documentation

DOCUMENT	DESCRIPTION
<a href="#">FN7558</a>	ZL8800 Datasheet, "Dual Channel/Dual Phase PMBus™ ChargeMode Control DC/DC Digital Controller"



## Notice

1. Descriptions of circuits, software and other related information in this document are provided only to illustrate the operation of semiconductor products and application examples. You are fully responsible for the incorporation or any other use of the circuits, software, and information in the design of your product or system. Renesas Electronics disclaims any and all liability for any losses and damages incurred by you or third parties arising from the use of these circuits, software, or information.
2. Renesas Electronics hereby expressly disclaims any warranties against and liability for infringement or any other claims involving patents, copyrights, or other intellectual property rights of third parties, by or arising from the use of Renesas Electronics products or technical information described in this document, including but not limited to, the product data, drawings, charts, programs, algorithms, and application examples.
3. No license, express, implied or otherwise, is granted hereby under any patents, copyrights or other intellectual property rights of Renesas Electronics or others.
4. You shall not alter, modify, copy, or reverse engineer any Renesas Electronics product, whether in whole or in part. Renesas Electronics disclaims any and all liability for any losses or damages incurred by you or third parties arising from such alteration, modification, copying or reverse engineering.
5. Renesas Electronics products are classified according to the following two quality grades: "Standard" and "High Quality". The intended applications for each Renesas Electronics product depends on the product's quality grade, as indicated below.  
"Standard": Computers; office equipment; communications equipment; test and measurement equipment; audio and visual equipment; home electronic appliances; machine tools; personal electronic equipment; industrial robots; etc.  
"High Quality": Transportation equipment (automobiles, trains, ships, etc.); traffic control (traffic lights); large-scale communication equipment; key financial terminal systems; safety control equipment; etc.  
Unless expressly designated as a high reliability product or a product for harsh environments in a Renesas Electronics data sheet or other Renesas Electronics document, Renesas Electronics products are not intended or authorized for use in products or systems that may pose a direct threat to human life or bodily injury (artificial life support devices or systems; surgical implantations; etc.), or may cause serious property damage (space system; undersea repeaters; nuclear power control systems; aircraft control systems; key plant systems; military equipment; etc.). Renesas Electronics disclaims any and all liability for any damages or losses incurred by you or any third parties arising from the use of any Renesas Electronics product that is inconsistent with any Renesas Electronics data sheet, user's manual or other Renesas Electronics document.
6. When using Renesas Electronics products, refer to the latest product information (data sheets, user's manuals, application notes, "General Notes for Handling and Using Semiconductor Devices" in the reliability handbook, etc.), and ensure that usage conditions are within the ranges specified by Renesas Electronics with respect to maximum ratings, operating power supply voltage range, heat dissipation characteristics, installation, etc. Renesas Electronics disclaims any and all liability for any malfunctions, failure or accident arising out of the use of Renesas Electronics products outside of such specified ranges.
7. Although Renesas Electronics endeavors to improve the quality and reliability of Renesas Electronics products, semiconductor products have specific characteristics, such as the occurrence of failure at a certain rate and malfunctions under certain use conditions. Unless designated as a high reliability product or a product for harsh environments in a Renesas Electronics data sheet or other Renesas Electronics document, Renesas Electronics products are not subject to radiation resistance design. You are responsible for implementing safety measures to guard against the possibility of bodily injury, injury or damage caused by fire, and/or danger to the public in the event of a failure or malfunction of Renesas Electronics products, such as safety design for hardware and software, including but not limited to redundancy, fire control and malfunction prevention, appropriate treatment for aging degradation or any other appropriate measures. Because the evaluation of microcomputer software alone is very difficult and impractical, you are responsible for evaluating the safety of the final products or systems manufactured by you.
8. Please contact a Renesas Electronics sales office for details as to environmental matters such as the environmental compatibility of each Renesas Electronics product. You are responsible for carefully and sufficiently investigating applicable laws and regulations that regulate the inclusion or use of controlled substances, including without limitation, the EU RoHS Directive, and using Renesas Electronics products in compliance with all these applicable laws and regulations. Renesas Electronics disclaims any and all liability for damages or losses occurring as a result of your noncompliance with applicable laws and regulations.
9. Renesas Electronics products and technologies shall not be used for or incorporated into any products or systems whose manufacture, use, or sale is prohibited under any applicable domestic or foreign laws or regulations. You shall comply with any applicable export control laws and regulations promulgated and administered by the governments of any countries asserting jurisdiction over the parties or transactions.
10. It is the responsibility of the buyer or distributor of Renesas Electronics products, or any other party who distributes, disposes of, or otherwise sells or transfers the product to a third party, to notify such third party in advance of the contents and conditions set forth in this document.
11. This document shall not be reprinted, reproduced or duplicated in any form, in whole or in part, without prior written consent of Renesas Electronics.
12. Please contact a Renesas Electronics sales office if you have any questions regarding the information contained in this document or Renesas Electronics products.  
(Note 1) "Renesas Electronics" as used in this document means Renesas Electronics Corporation and also includes its directly or indirectly controlled subsidiaries.  
(Note 2) "Renesas Electronics product(s)" means any product developed or manufactured by or for Renesas Electronics.

(Rev.4.0-1 November 2017)



### SALES OFFICES

Renesas Electronics Corporation

<http://www.renesas.com>

Refer to "<http://www.renesas.com/>" for the latest and detailed information.

**Renesas Electronics America Inc.**  
1001 Murphy Ranch Road, Milpitas, CA 95035, U.S.A.  
Tel: +1-408-432-8888, Fax: +1-408-434-5351

**Renesas Electronics Canada Limited**  
9251 Yonge Street, Suite 8309 Richmond Hill, Ontario Canada L4C 9T3  
Tel: +1-905-237-2004

**Renesas Electronics Europe Limited**  
Dukes Meadow, Millboard Road, Bourne End, Buckinghamshire, SL8 5FH, U.K  
Tel: +44-1628-651-700, Fax: +44-1628-651-804

**Renesas Electronics Europe GmbH**  
Arcadiastrasse 10, 40472 Düsseldorf, Germany  
Tel: +49-211-6503-0, Fax: +49-211-6503-1327

**Renesas Electronics (China) Co., Ltd.**  
Room 1709 Quantum Plaza, No.27 ZhichunLu, Haidian District, Beijing, 100191 P. R. China  
Tel: +86-10-8235-1155, Fax: +86-10-8235-7679

**Renesas Electronics (Shanghai) Co., Ltd.**  
Unit 301, Tower A, Central Towers, 555 Langao Road, Putuo District, Shanghai, 200333 P. R. China  
Tel: +86-21-2226-0888, Fax: +86-21-2226-0999

**Renesas Electronics Hong Kong Limited**  
Unit 1601-1611, 16/F., Tower 2, Grand Century Place, 193 Prince Edward Road West, Mongkok, Kowloon, Hong Kong  
Tel: +852-2265-6688, Fax: +852-2886-9022

**Renesas Electronics Taiwan Co., Ltd.**  
13F, No. 363, Fu Shing North Road, Taipei 10543, Taiwan  
Tel: +886-2-8175-9600, Fax: +886-2-8175-9670

**Renesas Electronics Singapore Pte. Ltd.**  
80 Bendemeer Road, Unit #06-02 Hyflux Innovation Centre, Singapore 339949  
Tel: +65-6213-0200, Fax: +65-6213-0300

**Renesas Electronics Malaysia Sdn.Bhd.**  
Unit 1207, Block B, Menara Amcorp, Amcorp Trade Centre, No. 18, Jln Persiaran Barat, 46050 Petaling Jaya, Selangor Darul Ehsan, Malaysia  
Tel: +60-3-7955-9390, Fax: +60-3-7955-9510

**Renesas Electronics India Pvt. Ltd.**  
No.777C, 100 Feet Road, HAL 2nd Stage, Indiranagar, Bangalore 560 038, India  
Tel: +91-80-67208700, Fax: +91-80-67208777

**Renesas Electronics Korea Co., Ltd.**  
17F, KAMCO Yangjae Tower, 262, Gangnam-daero, Gangnam-gu, Seoul, 06265 Korea  
Tel: +82-2-558-3737, Fax: +82-2-558-5338