

ISL6549LOW-EVAL1, ISL6549HI-EVAL1

A Widely-Applicable PWM and Linear Controller

AN1201
Rev 1.00
Oct 11, 2005

Introduction

The PCI-Express is used in many PC's as the interface to the graphics card. Although the new format allows much higher data rate, one consequence is that 5V is no longer supplied to the interface. This has spawned a new generation of controller IC's that use 12V for bias, and can also use 12V (or any lower voltage) for the input to the regulators. The ISL6549 can control one PWM and one linear output for these conditions, but it can also be used in other systems with 12V available. These EVAL boards provide a simple way to configure a system, and test it out.

There are two current ranges that are presently supported: ISL6549LOW-EVAL1 for higher output voltages, but lower output currents and ISL6549HI-EVAL1 for lower output voltages, but higher output currents. The schematic provided is for the generic board, so the values listed may not match each board; use the appropriate BOM for the correct values, and also for which components are populated or not (DNP = Do Not Populate). Refer to the schematic, Bill Of Materials (BOM), and board layout (at the end of this document), as needed.

Factory Configuration

The board should be preset from the factory in one of the following two configurations. The section "More Detailed Circuit Setup" has more information about the board, connections, and options for making changes.

1. Low Power (ISL6549LOW-EVAL1):

$V_{OUT1} = 5.0V @ 3A$ (with $V_{IN1} = V_{CC12} = 12V$, using JP1; 600kHz PWM F_{SW})

$V_{OUT2} = 3.3V @ 1A$ (with $V_{IN2} = V_{OUT1} = 5.0V$, using JP2)

Note that V_{OUT1} supplies 3A PLUS the 1A from V_{OUT2} , for a total of 4A. Both outputs should be able to run at their rated currents simultaneously, at room temperature ambient, with an appropriate 12V supply, rated at 3A. The output current capability of the linear regulator is determined mainly by the power dissipation of the pass FET.

2. High Current (ISL6549HI-EVAL1):

$V_{OUT1} = 1.2V @ 20A$ (with $V_{IN1} = V_{CC12} = 12V$, using JP1; 600kHz PWM F_{SW})

$V_{OUT2} = 1.6V @ 1A$ (with $V_{IN2} = 3.3V$; JP2 is **OPEN** (not used))

Quick Start Evaluation

Figure 1 shows a picture of a blank board for reference, and details the available input and output connections. Each input (V_{CC12} , V_{IN1} , V_{IN2}) and its GND has binding posts. Each output has turrets for V_{OUT} and GND, plus a scope probe socket, for low noise waveforms. JP1 and JP2 are jumpers, for those cases where voltages are shared. Most of the important IC signals on the board have a test pin for easy monitoring (or for making alternate connections). SW1 can be used to enable/disable the regulator. The CR1 LED lights when there is activity on the PHASE node.

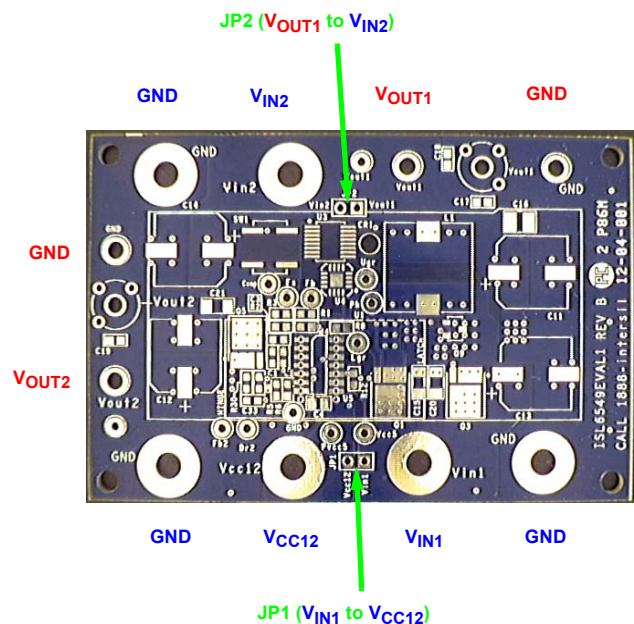


FIGURE 1. ISL6549EVAL1 INPUT AND OUTPUT CONNECTIONS

It is recommended that, should electronic or higher power loads not be available, light loads (40Ω or so) are connected to each output.

Quick Start Setup (light load)

Switch SW1 should be pointing towards the bottom of the board; this should enable both outputs, and should allow the LED to light, when V_{OUT1} is powered up.

Figure 2 shows the simple setup for the ISL6549LOW-EVAL1 board. To test the board as shipped, apply the 12V power input, and the CR1 LED should come up when V_{OUT1} starts switching.

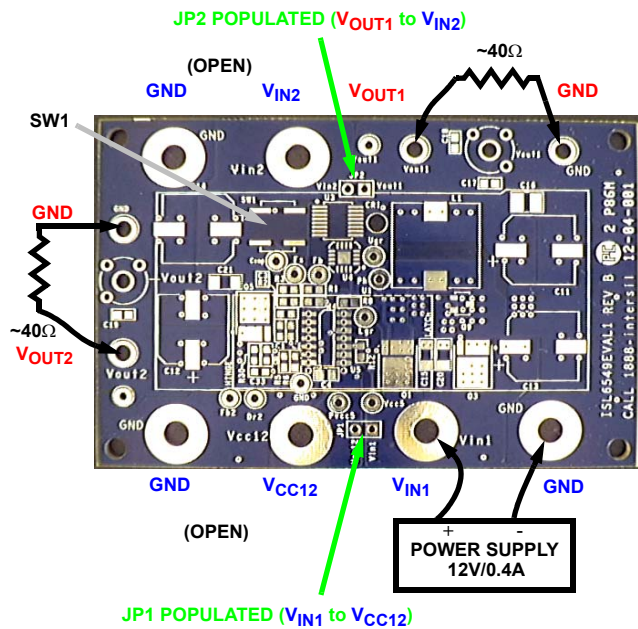


FIGURE 2. TYPICAL ISL6549LOW-EVAL1 HOOK-UP

The ISL6549HI-EVAL1 board requires a 2nd power supply for V_{IN2} , and removal of JP2, as shown in Figure 3. To test the board as shipped, apply the 12V power input, and 3.3V supply to V_{IN2} . The CR1 LED should come up when V_{OUT1} starts switching.

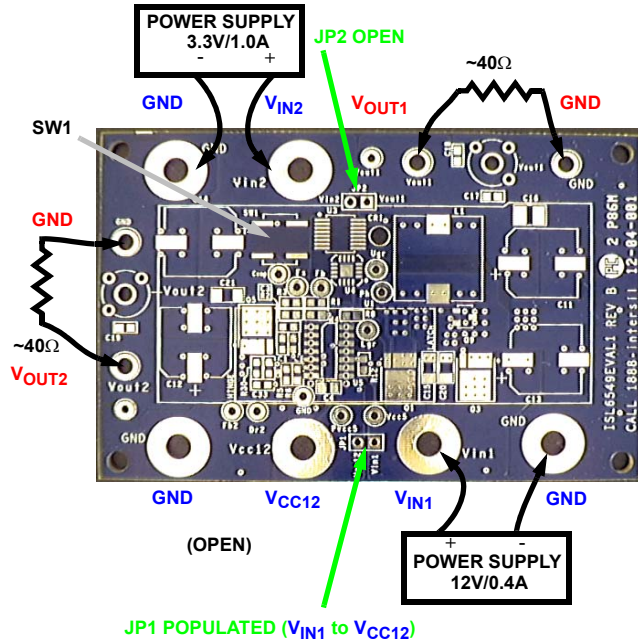


FIGURE 3. TYPICAL ISL6549LOW-EVAL1 HOOK-UP

In this setup, both outputs can be monitored with a voltmeter or oscilloscope. It is advisable to verify the board as is first. Once the basic functionality has been confirmed, more specific measurements, or changes to the board or setup can be attempted.

Input Power Supply Considerations

This section discusses the circuit functions in more detail; section *Board Modifications* discusses changes that can be done. Make all changes and connections prior to application of power. For reference, orient the board with the “ISL6549EVAL1 REV B” label on the right, as shown in Figure 1 or 2.

The output load current needed determines the number and kind of FETs required for any given application. This evaluation board has numerous FET footprints that can be used (all are connected in parallel, so only use one configuration at a time). If the factory-supplied board doesn’t meet the needs, substitute other FETs. The inductor is initially sized for the maximum current expected; substitutions can be made if desired.

The ISL6549 has two general purpose outputs, and the evaluation board allows for a lot of flexibility. It was designed for the PCI-Express (where 12V and 3.3V are available, but 5V is not), but can be used in many other applications as well. The ISL6549 requires a 12V input for V_{CC12} bias; it creates its own internal 5.4V rail for bias and gate drivers. Either input (V_{IN1} for the switcher, and V_{IN2} for the linear) can use 12V, or any available voltage down to just above the 0.8V reference, including 3.3V, 5V (if available), or other regulator outputs.

The input voltages (and their GNDs) have binding posts for connections. For the most flexibility, this evaluation board has three sets (power and GND) of binding posts, one each for V_{CC12} , V_{IN1} and V_{IN2} . All of the input and output GND posts are tied together (to the internal GND plane), but use the local one associated with each input or output for the best performance. In addition, two jumpers are available to tie common connections together.

If V_{IN1} and V_{CC12} share a common 12V supply, then JP1 should be shorted; if not, leave it open. If V_{IN1} is not 12V, or if V_{IN1} is not to be shared with V_{CC12} , then connect a separate 12V power supply (typically no more than ~100mA, depending on FETs and PWM switching frequency) to the V_{CC12} post and its GND, and remove the JP1 shunt. The V_{IN1} post is next to the upper FETs for a high current, low resistance path; do not use the V_{CC12} post and JP1 instead of the V_{IN1} post, when the input voltage is provided from the same supply.

V_{IN2} is the input voltage for the linear regulator; connect its supply to the V_{IN2} post (J2) on the top left side of the board. Make sure JP2 shunt is not populated, unless V_{OUT1} is to be used as the V_{IN2} supply. (Note: V_{OUT1} must be a higher voltage than V_{OUT2} , in order to be used as V_{IN2} ; V_{OUT1} must also be able to supply the extra current).

For full-load testing, use input power supplies that can supply the current required for the desired maximum output load conditions; 5A rating is recommended for the high current board ($V_{IN1} = 12V = V_{CC12}$). Since V_{OUT2} is a linear

regulator, V_{IN2} must be able to supply the full load current directly. An electronic load on the outputs is generally recommended for its ease of use evaluating different loads.

Circuit Setup Options

Each output can be programmed with a resistor divider, to any voltage between its input voltage (12V maximum) and its internal reference voltage (0.8V). The input capacitors for both regulators are rated at 16V, for use with a 12V supply. The bulk output capacitors are rated at only 10V, and some of the ceramic output capacitors are only rated for 6.3V. See *Adjusting the Output Voltage* paragraph in the *Board Modifications* section for the details.

The frequency of the switching regulator can be set as low as 150kHz, and as high as 1MHz. The switching frequency plays into the output ripple current, and the selection of the output inductor and capacitors. A single resistor (R7) to GND programs the frequency; see datasheet for details.

The IC used on the evaluation board is the 14 Ld SOIC version. Dummy footprints for the 16 Ld QFN and 16 Ld QSOP packages are provided for size comparison. Smaller packages have tighter pin spacings, which may limit how tightly one can pack components around them, and still allow for proper trace routing. While the electrical performance of all three packages should be quite similar, the QFN should showcase best thermal performance in an application.

A switch (SW1) is connected from FS_DIS pin to GND, as a means to disable the controller IC when grounded. An LED (CR1) is lit whenever there is voltage on the phase node, offering a visual cue that the switching regulator is operating.

The compensation used for the switcher is type-2, but footprints are available for a type-3 network, as well. The compensation components have been chosen for the given inductor and capacitor values (and its ESR), and operating frequency. If any of these components or parameter changes, then the compensation may need to be adjusted accordingly, to maintain stable operation (see datasheet for details).

The linear regulator does not require external compensation for most conditions, but footprints are available for the those cases where it may be needed (generally, only when ceramic output capacitors are used). Other optional component footprints include series gate resistors, an RC snubber and a freewheeling diode on the switcher's phase node.

Performance Waveforms

Figures 4 through 19 depict the evaluation board's performance during typical operational situations, as well as during fault conditions. Examples are usually shown for just one version of the board (low or high current); results on the other board should be similar, unless noted. Loading of the output can be most easily done via an electronic load; however, any other method will work as well.

Power-up

Up to 3 power supplies (V_{CC12} , V_{IN1} , V_{IN2}) may be needed to power up the board, but some inputs can share a single supply, or the output of one regulator can be used as the input to the other.

Power-up can be performed in any order. In order to commence normal operation, however, the V_{CC12} supply must be above the VCC12 pin's rising POR trip level, the internal 5.4V supply (on the VCC5 pin) must also be above its rising POR trip level, and FS must not be held low. Once all conditions are met, the IC will start a soft-start cycle, and ramp up both outputs. The soft-starting of the outputs takes ~6.8ms when running at 600kHz. Should VIN not be ready, or should there be an undervoltage condition detected on either output, the entire IC shuts off, and attempts to re-start following one soft-start period off. See *Fault Handling* for more information.

Figure 4 shows a typical power-up sequence, using the high current evaluation board. A 12V supply is used for both V_{CC12} bias and V_{IN1} , while a separate 3.3V supply (not shown) ramps up with the 12V, and is used for V_{IN2} . As V_{CC12} ramps up, the V_{CC5} pin follows, until the internal regulator curbs its rise at around 5.4V. When V_{CC12} exceeds its POR rising trip point (~9.5V), both outputs commence their soft-start ramps. Both outputs start and complete their soft-start ramps at the same time, and the waveforms should look the same, regardless of the load current.

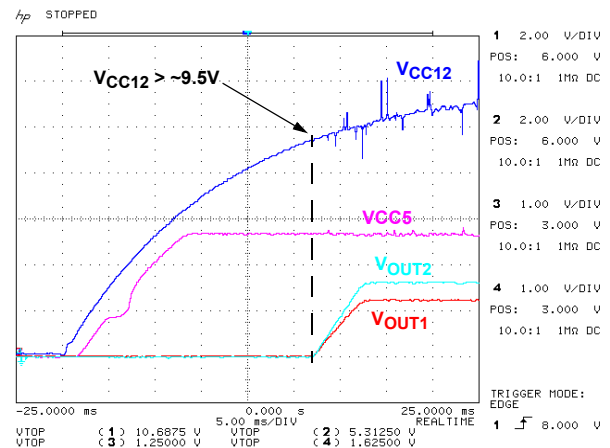


FIGURE 4. TYPICAL POWER-UP WAVEFORMS

Soft-start Detail and Pre-charged Outputs

Figure 5 details a typical ISL6549EVAL1 output soft-start ramp in more detail. For this scope capture, the supply powering the board is turned on prior to time T0. At time T0, SW1 is enabling the circuit for operation and a soft-start sequence is initiated, after an initial delay of 64 switching cycles. The soft-start ramp is internally generated, using a digital approach, and it consists of 64 discrete steps, incremented every 64 switching cycles, to approximate a linear ramp. The output voltage is thusly stepped up gradually to its set value.

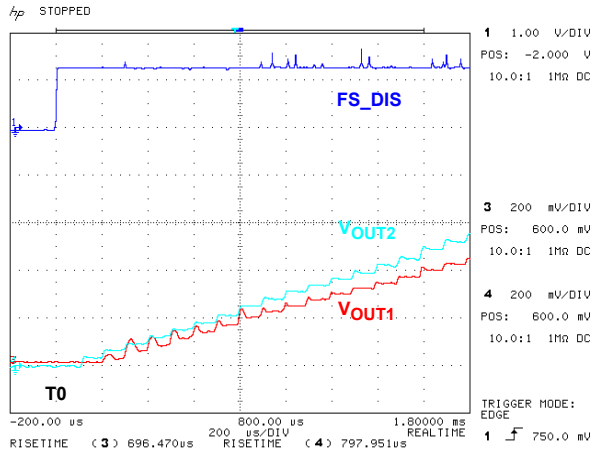


FIGURE 5. ISL6549EVAL1 NORMAL START-UP DETAIL

Special consideration is given to the PWM output's start-up into a pre-charged output. Under such circumstances, the ISL6549 keeps off both MOSFETs until the internal reference is ramped past the output voltage sensed at the FB pin. By using this approach, the output voltage ramp-up promptly commences at the pre-charge level, with little to no disturbance being inflicted, as detailed in Figure 6. The circuit is enabled, similar to Figure 5, at time T0 (FS_DIS signal not shown). V_{OUT1} is precharged to ~4V; and as the internal ramp exceeds the magnitude of the output voltage at time T1, the MOSFETs drivers are enabled. The output voltage ramps up in a seamless fashion from the pre-existent level to the final level of 5.0V, reached at time T2. V_{OUT2} is also shown, for timing reference.

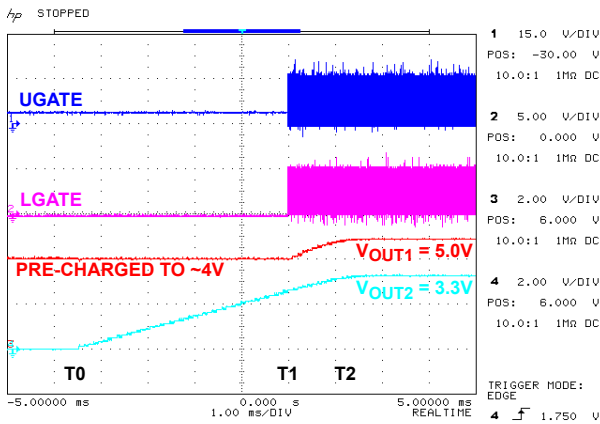


FIGURE 6. ISL6549EVAL1 START-UP INTO A PARTIALLY CHARGED OUTPUT

A second (and less likely) scenario is for the output to be pre-charged above the resistor-divider set point, as shown in Figure 7. In this situation, the ISL6549 keeps the MOSFETs off until the end of the SS ramp. Once the end of the soft-start ramp is reached (at time T2), the output drivers are enabled for operation, and the output is subjected to an abrupt correction down to the expected set-point level (5.0V here).

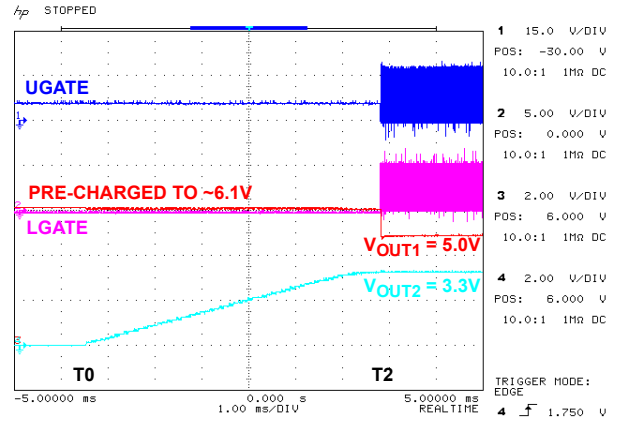


FIGURE 7. ISL6549EVAL1 START-UP INTO AN OVER-CHARGED OUTPUT

Fault Handling: Undervoltage Response

The ISL6549 protects the output against undervoltage (UV) events. UV monitoring is disabled during the first 16 soft-start steps. Once enabled, if a UV event is detected on either output, the ISL6549 turns off both outputs, waits for a time period equaling one internal SS cycle, and then attempts an output soft-start. The behavior of the circuit in UV repeats until the fault condition is removed or the circuit is disabled. Review the appropriate datasheet sections for more details.

Figure 8 displays a pattern of typical circuit behavior when encountering an UV situation. In this example, V_{IN1} is not powered, so V_{OUT1} doesn't turn on, and should fail for UV.

A soft-start cycle begins at time T0; V_{OUT2} ramps up 1/4 of the way (~ 0.825V out of the expected 3.3V output), at which time the UV comparators are enabled. Since V_{IN1} is not present, V_{OUT1} is not following the soft-start ramp up, and it trips the UV protection, shutting down both outputs. Following an internal wait period equal to one soft-start interval, from T1 to T0, the circuit initiates a new SS cycle, attempting to bring the outputs back within regulation limits. As the output voltage tries to increase, if it is held back by a short-circuit (or in this case, the lack of an input voltage), the UV protection is tripped again, at time T2, resulting in the repeat of the shut-down/wait/re-start cycle.

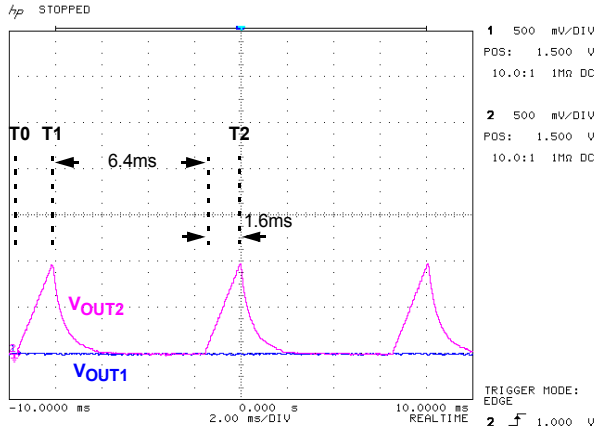


FIGURE 8. ISL6549EVAL1 UNDER-VOLTAGE PROTECTION

The example in Figure 8 shows a 1.6ms ramp up, and a 6.4ms off time, before the next ramp starts. Thus, the total period of 8ms is based on 1.25 soft-start cycles (one-quarter of the first ramp, and then one full time-out, at a clock period of around 1.6μs).

Switching Waveforms

The following figures show the gate driver signals in the low current board, with a light output load (~600mA). The grounding of the scope probes is important in capturing waveforms representative of actual board signals. The following waveforms were not optimally captured, as they used the test pins and the nearest ground connection for the scope probe’s ground connection, resulting in some extra ringing and overshoot being picked up due to the setup.

Figure 9 depicts one typical switching cycle. The switching frequency is measured at 622kHz, and the duty cycle is ~41%, matching the 5V/12V output to input ratio.

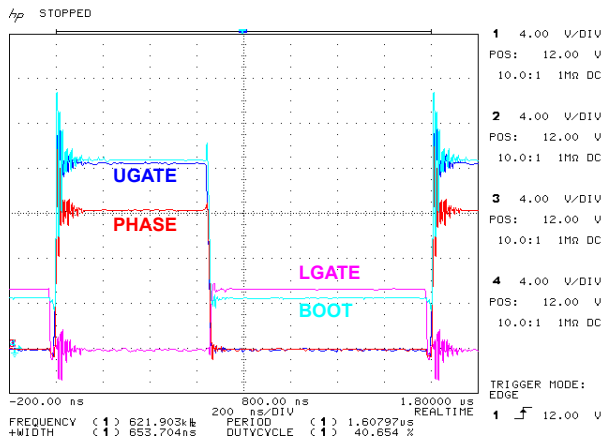


FIGURE 9. ISL6549LOW-EVAL1 SWITCHING WAVEFORMS

Switching detail coinciding with the rising edge of the PHASE node is pictured in Figure 10. The dead-time, defined here as from LGATE falling below 2V to UGATE-

PHASE rising above 2V, is less than 20ns. Shorter deadtimes improve the switching efficiency.

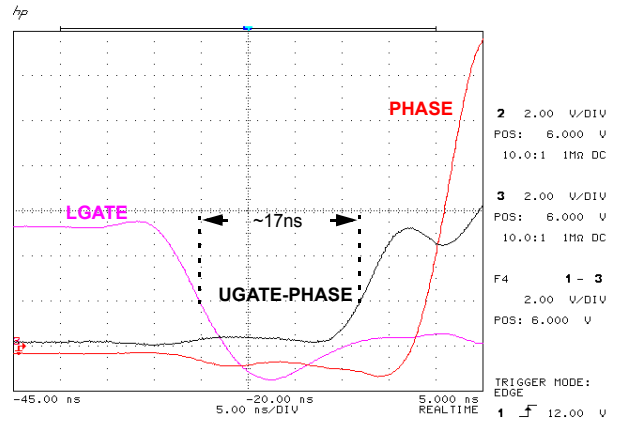


FIGURE 10. ISL6549 RISING UGATE EDGE

Similar detail, but this time captured at the falling PHASE edge is shown in Figure 11. Internal adaptable circuitry not only protects against shoot-through events, but also yields desirable dead times in the sub-20ns interval.

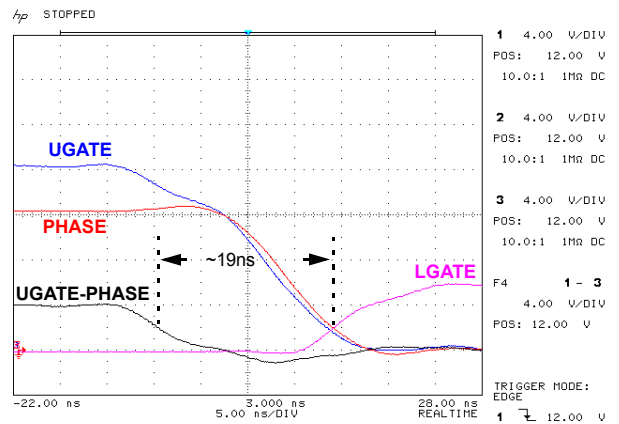


FIGURE 11. ISL6549 FALLING UGATE EDGE

Duty Cycle Jitter

While jitter may look undesirable, small amounts don’t significantly affect circuit performance. In certain applications, jitter is actually desired, as it has the beneficial effect of lowering the EMI emissions by spreading the energy across a broader spectrum of frequencies.

The duty cycle variation in a switching converter is a natural occurrence. Duty cycle is varied during soft-start to increase the output voltage, and both increased and decreased, as required to modulate the inductor current and keep the output at the set regulation point. During DC steady-state operating conditions, the duty cycle should ideally be a fixed value. However, normal perturbations in the output and input supplies, noise captured by the feedback loop, as well as the natural switching frequency ripple fed through the error amplifier, all can result in duty cycle variations. Figure 12 details the typical jitter of the

ISL6549LOW-EVAL1. The rising edge of UGATE is used for triggering.

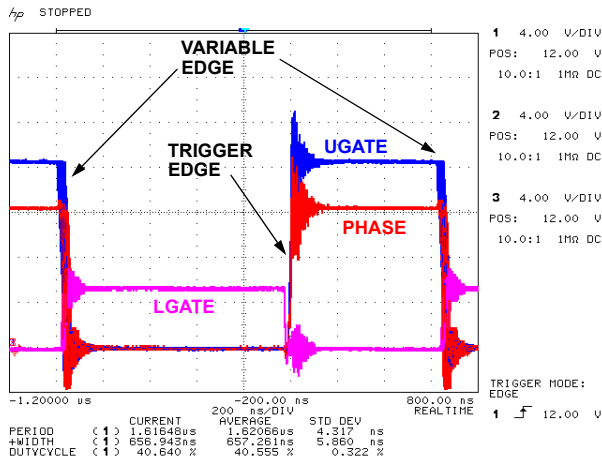


FIGURE 12. ISL6549LOW-EVAL1 JITTER MEASUREMENT; STATISTICS AND INFINITE PERSISTENCE

Output Ripple Voltage

Figure 13 shows a typical output ripple voltage waveform for the ISL6549LOW-EVAL1 board. The ripple voltage is commensurate with the product of the inductor ripple current (~1A) multiplied by the ESR (13mΩ) of the output capacitor used. Various tradeoffs are possible in order to adjust the resulting output voltage ripple. Increasing the value of the output inductor or the switching frequency leads to reductions in the inductor ripple. However, all other parameters being equal, such measures may have other less benefic effects, like larger inductor magnetic structures or increased switching losses.

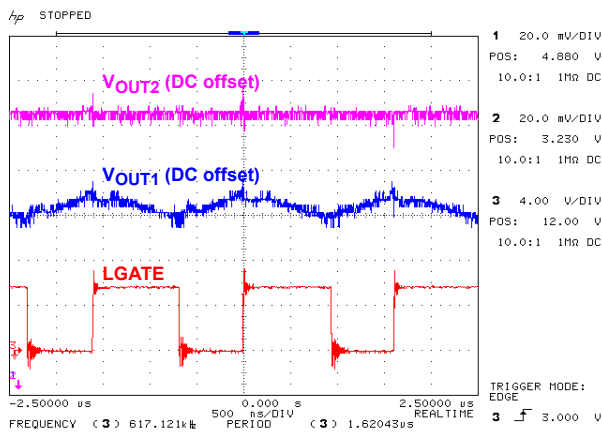


FIGURE 13. ISL6549LOW-EVAL1 OUTPUT SWITCHING RIPPLE VOLTAGE

Output Transient Response

Figure 14 details the circuit’s response to a load step transient on the switching output, V_{OUT1}, of the low current board. The current transient applied to V_{OUT1} has a magnitude of 4A.

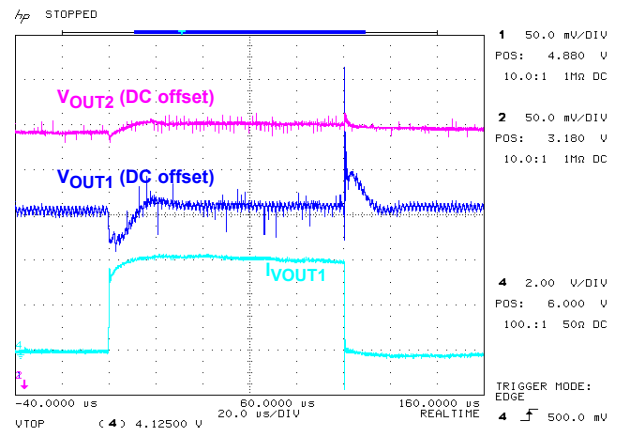


FIGURE 14. ISL6549EVAL1 LOAD TRANSIENT RESPONSE

Figure 15 shows the effect of a 1A load transient on the linear output, V_{OUT2}. As in Figure 14, some of the perturbation trickles into the cascaded regulator.

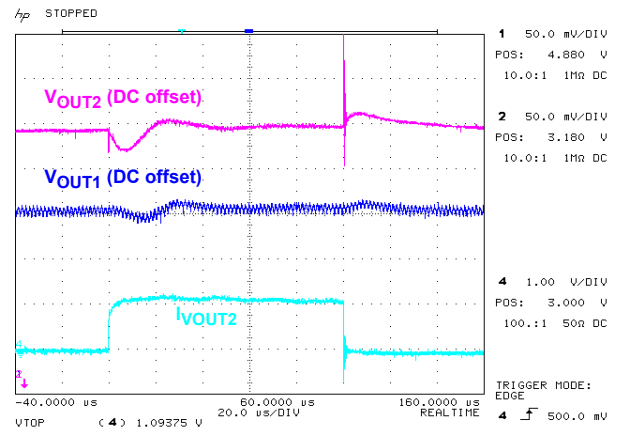


FIGURE 15. ISL6549EVAL1 LOAD TRANSIENT RESPONSE

PWM Conversion Efficiency

Figure 16 highlights the ISL6549HI-EVAL1 board’s conversion efficiency, including all bias power. The measurements were performed with the board operating at room temperature under natural convection and with V_{IN1} = 5V. Three solid-line curves are shown, where measurements were performed with two MOSFETs for both upper and lower switch, at 3 different output voltages. Two dotted-line curves showcase efficiency with single MOSFETs for both switches, at two output voltages. Compared to the dual-MOSFET-per-switch curves, the single-MOSFET efficiencies are better at lower currents due to lower driving power losses and faster switching; however, single-MOSFET efficiencies drop off sooner than for the dual-MOSFETs at higher currents, as the

higher $r_{DS(ON)}$ of the single transistors lead to larger conduction losses as the output current increases. Due to the increased power dissipation, the single-MOSFET circuit is limited to a lower maximum output current level.

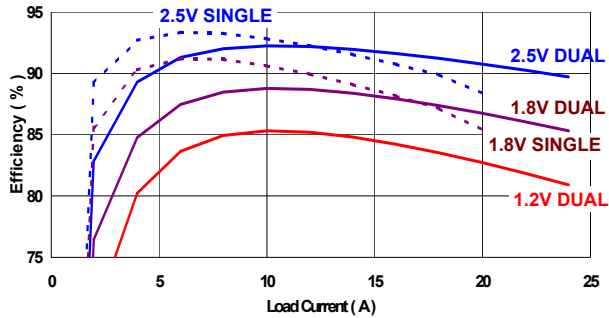


FIGURE 16. ISL6549HI-EVAL1 MEASURED EFFICIENCY, WITH SEVERAL OUTPUT VOLTAGE AND FET COMBINATIONS, AT 600kHz.

The range of curves displayed in Figure 17 were collected off the ISL6549LOW-EVAL1 board. The same MOSFET is used in each case, but the output voltage is varied.

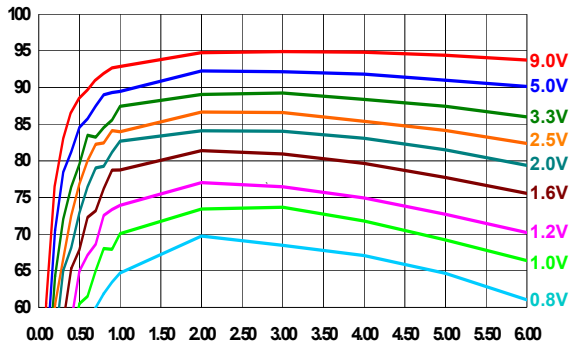


FIGURE 17. ISL6549LOW-EVAL1 MEASURED EFFICIENCY, WITH $V_{IN1} = 12V$, @575kHz, AT MULTIPLE OUTPUT VOLTAGES

Figure 18 shows the variation in efficiency with switching frequency. Note that the board components were originally optimized for 600kHz, and were not adjusted for the other switching frequency settings. In general, lower frequencies result in less switching losses. However, lowering the frequency without adjusting the output inductor value results in increased ripple current which lowers the recorded efficiency; this very effect is clearly evident in the lower current range of the 200kHz measurement. capacitors. All the switching efficiency data was collected with the linear regulator output (V_{OUT2}) unloaded.

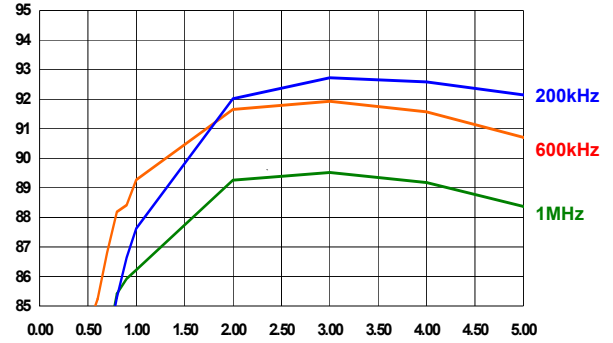


FIGURE 18. ISL6549LOW-EVAL1 MEASURED EFFICIENCY, $V_{OUT1} = 5V$, AT SEVERAL SWITCHING FREQUENCIES

Boot Refresh

In the event the PWM switching output reaches and sustains a 100% duty cycle for an extended period of time, there is a risk that the BOOT capacitor may discharge below an acceptable threshold. To prevent against this possibility, the ISL6549 will detect if UGATE has been at 100% duty cycle for 32 clock pulses, and force one full switching period LGATE pulse, to refresh the charge on the BOOT capacitor. The waveforms in Figure 19 show exactly this scenario. To force this special case, V_{IN1} was set at 5V, just above the V_{OUT1} setting of 4.9V. The measured forced LGATE pulse period is 1.6 μ s, resulting in an effective 96% maximum duty cycle.

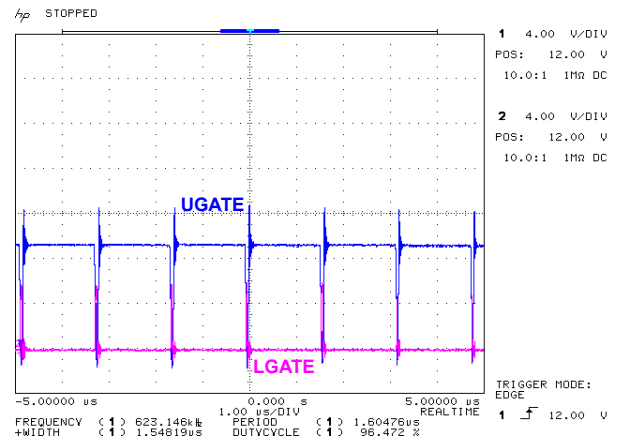


FIGURE 19. ISL6549 BOOT REFRESH

Board Modifications

Any of the following changes should be made with the board powered down. Please refer to the ISL6549 datasheet as needed for more details.

Power Supplies and Jumper Settings

The jumpers are for the user's convenience; they do not have to be used. There can be up to 3 power supplies (V_{CC12} , V_{IN1} , V_{IN2}); but some of them can be shared if desired. The output of either regulator can be used as the input to the other (assuming the voltages and currents are compatible). The input supplies can be ramped up in any sequence, but in order to avoid restart cycles, it is recommended that the V_{CC12} supply be the last one to be brought up. If the order of the supplies cannot be changed, then another approach is to hold the FS_DIS pin low, via SW1, until all the input supplies are ready.

Down-Converting From a Different Input Voltage

The ISL6549EVAL1 switcher design is primarily set up to use a 12V input supply as a bias and down-conversion source. If experimenting with a lower input voltage, be mindful of a few aspects (primarily for the switcher output):

- The minimum input voltage for down-conversion is dependent upon the output voltage setting and the power conversion efficiency of the PWM circuit at the given operating conditions. To have the circuit operate properly in a given set of operating conditions, the minimum voltage differential required between the input and the output of the PWM circuit increases with decreasing efficiency.
- The input-RMS current increases and reaches its peak as the duty cycle converges toward 50%.
- As the evaluation board (as shipped) was optimized for the specific operating parameters described in this app note; should these change, closely monitor the board temperatures and increase the output current only as allowed by the board thermal situation.
- A reduced input voltage will decrease the amount of loop gain the modulator contributes to the feedback loop; as a result, a more sluggish transient response can be expected.

For safety reasons, and to protect the board from inadvertent short-circuits, DO NOT TURN ON THE INPUT POWER UNTIL ALL OF THE INPUT AND OUTPUT CONNECTIONS HAVE BEEN MADE.

Adjusting the Output Voltage

The output voltage can be adjusted via the external resistor-divider, according to the following equations. V_{OUT1} is determined by R1 and R4 (See Figure 20); V_{OUT2} is determined by R5 and R6 (See Figure 21). In order to avoid degradation of the input regulation DC setpoint, 1% resistors are recommended in the DC feedback path. Note that R1 is also part of the compensation network, so, for practical

purposes, it is usually recommended to keep its value in the 1-5kΩ range.

$$R4 = \frac{R1 \cdot 0.8V}{V_{OUT1} - 0.8V}$$

$$R6 = \frac{R5 \cdot 0.8V}{V_{OUT2} - 0.8V}$$

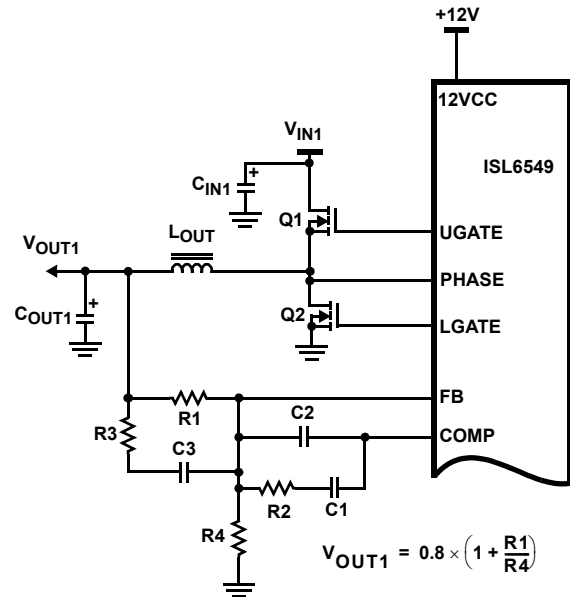


FIGURE 20. ADJUSTING V_{OUT1}

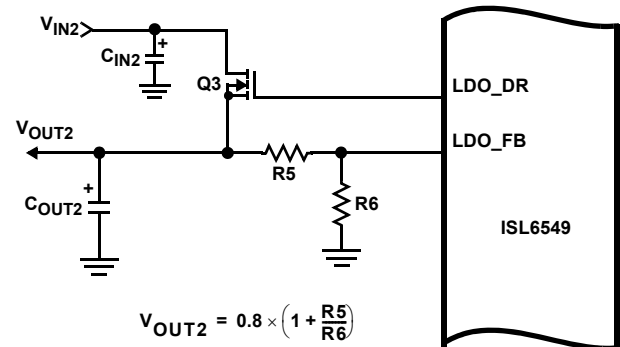


FIGURE 21. ADJUSTING V_{OUT2}

Adjusting the Switching Frequency

The frequency of the switching regulator can be set as low as 150kHz, and up to 1MHz. The switching frequency helps determine the output ripple current, and the selection of the output inductor and capacitors. A single resistor (R7) to ground programs the frequency; see the datasheet for curves of frequency versus resistor values.

Alternate FETs (V_{OUT1} switcher)

There are four current ranges identified that this board can support, based on the MOSFETs used. The ranges are approximate, and depend upon the exact FET used, thermal

conditions (PCB area for heat-spreading, location of other heat sources, maximum ambient temperature, airflow, etc.), V_{IN} and V_{OUT} combinations, switching frequency, etc. The FET footprints are all connected in parallel, so only use one configuration at a time. The four ranges are as follows:

High Power: ~12A-20A. This configuration uses LPAK or thermally-enhanced SO-8 packages, one/two upper FETs (Q1, Q3 on top of board); one/two lower MOSFETs (Q2, Q4 on bottom of board). The number of MOSFETs depends on the exact conditions, such as the current, and the duty cycle.

Medium Power: ~5A-12A. This configuration uses LPAK or thermally-enhanced SO-8 packages, with one upper and one lower MOSFET. The same footprints as above are used; Q1 on top, and Q2 on the bottom of the board are preferred, as they are closer to the IC.

Low Power: ~1A-5A. This configuration uses a dual MOSFET (two devices in one thermally-enhanced SO-8 package) - use Q7 footprint on the bottom of the board.

Very Low Power: <1A. This configuration uses SOT-23 single MOSFETs for both upper and lower switches. Use Q8 for upper (bottom of board) and Q9 for lower (top of board).

Alternate FETs (V_{OUT2})

Separate from the above switcher ranges, the Linear output (V_{OUT2}) has two options:

Low Power: ~1W P_D . This configuration can use Q5, on top of the board, which can be an LPAK or SO-8 FET. The power dissipation is limited primarily by the θ_{JA} of the package.

Higher Power: ~3W P_D . This configuration can use Q6, on the bottom of the board (TO-252). Monitor the FET temperature carefully as the load current is increased.

Alternate C_{IN} , L_{OUT} , or C_{OUT}

These components can be changed for both regulators as desired. Capacitors might be changed for a different value or ESR, but make sure the voltage rating matches the output setting. The inductor can be changed for a different value, different DCR, or for a different maximum current; ensure the maximum load current (plus ripple current) is less than the saturation rating of the inductor under all conditions. Any change in any of the above components warrants a review of the suitability of the existing compensation component network.

Optional Component Footprints

As some applications may benefit from one of these features, footprints are provided on the board for the following:

- a UGATE series resistor (R8; 0Ω) or an LGATE series resistor (R9; 0Ω). While the UGATE resistor is sometimes

used to slow down the turn on/off of the upper MOSFET, the LGATE resistor is seldom to be employed.

- a schottky free-wheeling diode on the PHASE node (D1) can be used if the lower MOSFET has a fairly poor body diode, resulting in excessive negative ringing.
- an RC snubber on the PHASE node (R31, C32) helps absorb some of the energy in the PHASE node transitions and cut down on ringing. As the snubber works by dissipating energy, its employment results in decreased conversion efficiency
- the linear output should not require external compensation (R30, C30, C33), but these component footprints are provided in case either the output capacitor value or its ESR is too low, such as if only a ceramic capacitor is used. See the datasheet for more details.

Adjust Compensation

Any significant change to the switcher circuit may require a re-calculation of the compensation network. Footprints are available for both type-2 and type-3. There are tools available for calculating compensation - inquire with your local Intersil contact for such assistance.

Board Layout

The evaluation board is built on 1-ounce, 4-layer, printed circuit board (see the layout plots at the end of this document). The high-current board is designed to support a continuous output current level of up to 20A, while operating at room temperature, under natural convection cooling.

This board uses the recommended layout practices, within the constraints of also providing for input and output hardware, test points, and alternate FET footprints. The following list summarizes the most important ones, along with some references to the layout plots.

- The critical IC components (decoupling capacitors, compensation, FB resistor dividers, frequency resistor) are located next to the IC (or directly under it), with short traces to the IC pins. Pay special attention to the FB node of the compensation; it connects up to 5 components, with as short a trace as possible.
- The UGATE, LGATE and BOOT traces are wider than minimum and kept as short as reasonable, for low resistance.
- The IC section has a local "quiet" GND for these components (both on top and bottom layers) with vias to the GND plane (layer 2). This is meant to keep the GND for all of the quiet components close to the GND pin of the IC. The GND and PGND pins of the IC are both tied here. In addition, this GND is away from the FET switching GND, and out of the path of the FET GND current back to the V_{IN1} GND post.

- The 12V to the VCC12 pin of the IC is somewhat isolated from the V_{IN1} (if also 12V) through JP1; this keeps some of the switching noise of V_{IN1} from the IC.
- The GND plane (layer 2) is one solid plane, except for openings for hardware and vias. There are additional GND straps on other layers as well.
- The various inputs and outputs use wide plane areas (on multiple layers in parallel) for low resistance and inductance. The V_{IN} and PHASE planes also act as heatsinks for the drains of each FET (including the linear).
- The PHASE planes are the noisiest (high frequency and voltage), and do not overlap other planes (which could pick up the noise) except for the GND plane. The trace from the PHASE plane to the IC pin is carefully drawn (on bottom layer) to keep it away from sensitive signals; the BOOT capacitor is under the IC (bottom layer), between the BOOT and PHASE pins.
- There is very tight coupling between the FETs (Q1, Q3 on top layer; Q2 and Q4 on bottom layer) and the V_{IN1} ceramic capacitors (C15, C20 on top layer). The bulk capacitor C13 is also nearby.
- On top layer, there is a separate low current trace from V_{OUT1} (near the load) to the FB1 resistor divider (R1, R4); this places the point that is regulated as close to the load as practical. The V_{OUT2} trace on top layer to the LDO_FB resistor divider (R5, R6) is not as isolated.

Conclusion

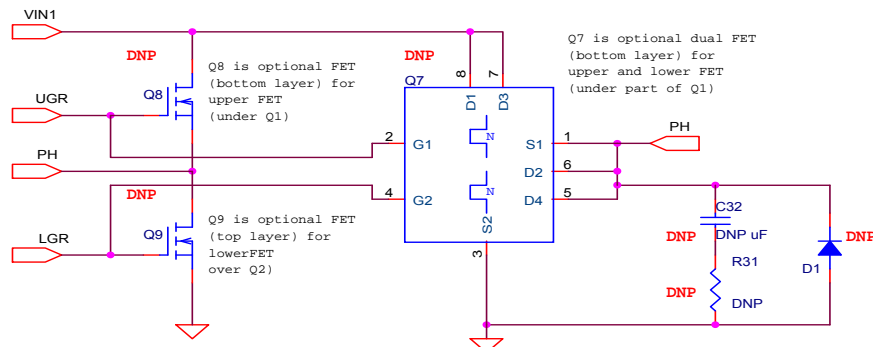
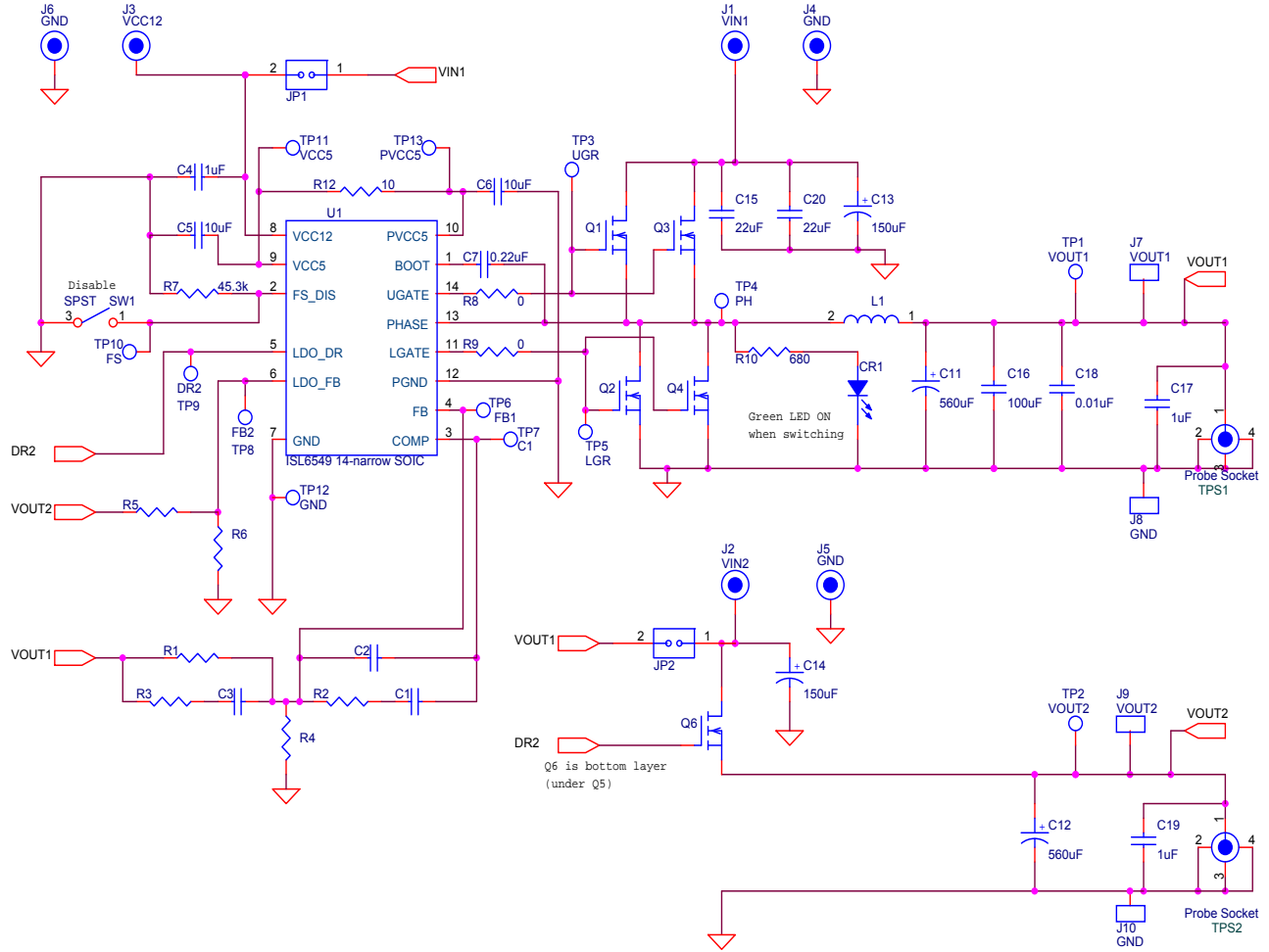
The ISL6549EVAL1 evaluation board showcases a versatile, simple to implement, high-performance dual regulator, suitable for providing power management and control in a variety of 12V applications. The high-current PWM MOSFET drivers of the ISL6549 yield a highly efficient power conversion solution with a reduced number of external components in a compact footprint, while the linear controller offers the means to implement a second, lower current output.

References

Data sheet: FN9168

Visit us on the internet, at: <http://www.intersil.com>

ISL6549EVAL1 Rev B Schematic



Q7 or Q8/Q9 are optional FETs for smaller VOUT1 currents

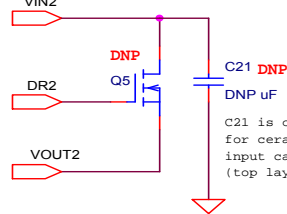
Q7 is optional dual FET (bottom layer) for upper and lower FET (under part of Q1)

Q8 is optional FET (bottom layer) for upper FET (under Q1)

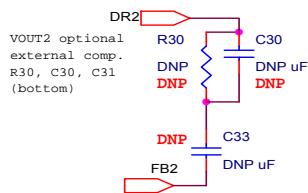
Q9 is optional FET (top layer) for lower FET over Q2)

C32 and R31 are optional snubber. D1 is optional schottky clamp.

Q5 is optional FET (top layer) for linear VOUT2 (over Q5)



C21 is optional for ceramic only input capacitor (top layer)



VOUT2 optional external comp. R30, C30, C31 (bottom)

ISL6549LOW-EVAL1 (Rev B) Bill of Materials**Low (1A - 5A) Current; $V_{OUT1} = 5V@1A$, $V_{OUT2} = 3.3V@1A$**

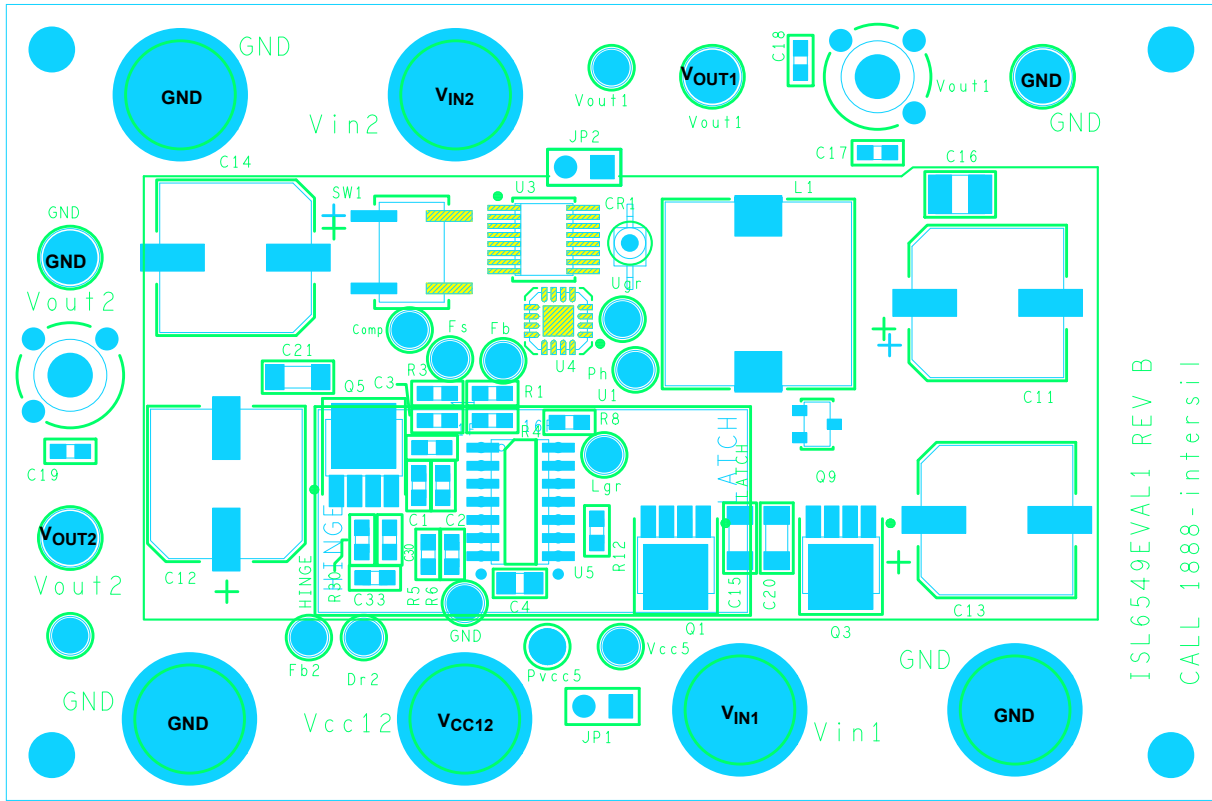
REFERENCE	PART NUMBER	DESCRIPTION	FOOTPRINT	MANUFACTURER	QUANTITY
C1		33nF Capacitor, X7R, 6.3V	0603		1
C2		0.022nF Capacitor, X7R, 6.3V	0603		1
C4		1 μ F Capacitor, X7R, 16V	0805		1
C5, 6		10 μ F Capacitor, X7R, 6.3V	0805		2
C7		0.1 μ F Capacitor, X7R, 6.3V	0603		1
C11, 12	10SVP560M or similar	560 μ F OS-CON Capacitor, 10V, ESR = 13m Ω	F12	Sanyo	2
C13, 14	16SVP150M or similar	150 μ F OS-CON Capacitor, 16V, ESR = 30m Ω	F8	Sanyo	2
C15		22 μ F Capacitor, X7R, 16V	1206		1
C16		100 μ F Capacitor, X7R, 6.3V	1206		1
C17, 19		1 μ F Capacitor, X7R, 6.3V	0603		2
C18		0.01 μ F Capacitor, X7R, 6.3V	0603		1
C3, 30, 32, 33			0603		DNP
C20, 21			1206		DNP
CR1	CMD91-21VGC/TR10	LED, green			1
D1			SMA		DNP
JP1, 2	68000-2336, 71363-102	2 pin header and shunt		Berg	2
J1-3	111-0102-001	Binding posts (red)		Johnson	3
J4-6	111-0103-001	Binding posts (black)		Johnson	3
J7-10	1514-2	Turrets			3
L1	SD1201 (or similar)	Inductor, 4.7 μ H, 9.5m Ω , 8A		Falco	1
Q6	MTD3055VL or similar	180m Ω max at 5.0V, 6A;	DPAK	ON	1
Q7	IRF7313 or similar	46m Ω max at 4.5V, 4.7A;	SOIC-8	IR	1
Q1-5			LFPK		DNP
Q8, 9			SOT23		DNP
R1, 5		Resistor, 1.00k Ω , 1%	0603		2
R2		Resistor, 14.7k Ω , 1%	0603		1
R4		Resistor, 191 Ω , 1%	0603		1
R6		Resistor, 324 Ω , 1%	0603		1
R7		Resistor, 45.3k Ω , 1%	0603		1
R8, 9		Resistor, 0 Ω	0603		2
R10		Resistor, 680 Ω	0603		1
R12		Resistor, 10 Ω	0603		1
R3, 30, 31			0603		DNP
SW1	SPST GT12MSCKE	SPST Switch		C&K	1
TPS1, 2	131-4353-00	Probe socket		Tektronix	2
TP1-13	5002	Test pins			13
U1	ISL6549	PWM and Linear Controller	SOIC-14	Intersil	1
U3			QSOP-16		DNP
U4			QFN (4x4) - 16		DNP
		ISL6549EVAL1revB PCB board			1
		Rubber feet			4

ISL6549HI-EVAL1 (Rev B) Bill of Materials**High (12A - 25A) Current; $V_{OUT1} = 1.2V @20A$, $V_{OUT2} = 1.6V@1A$**

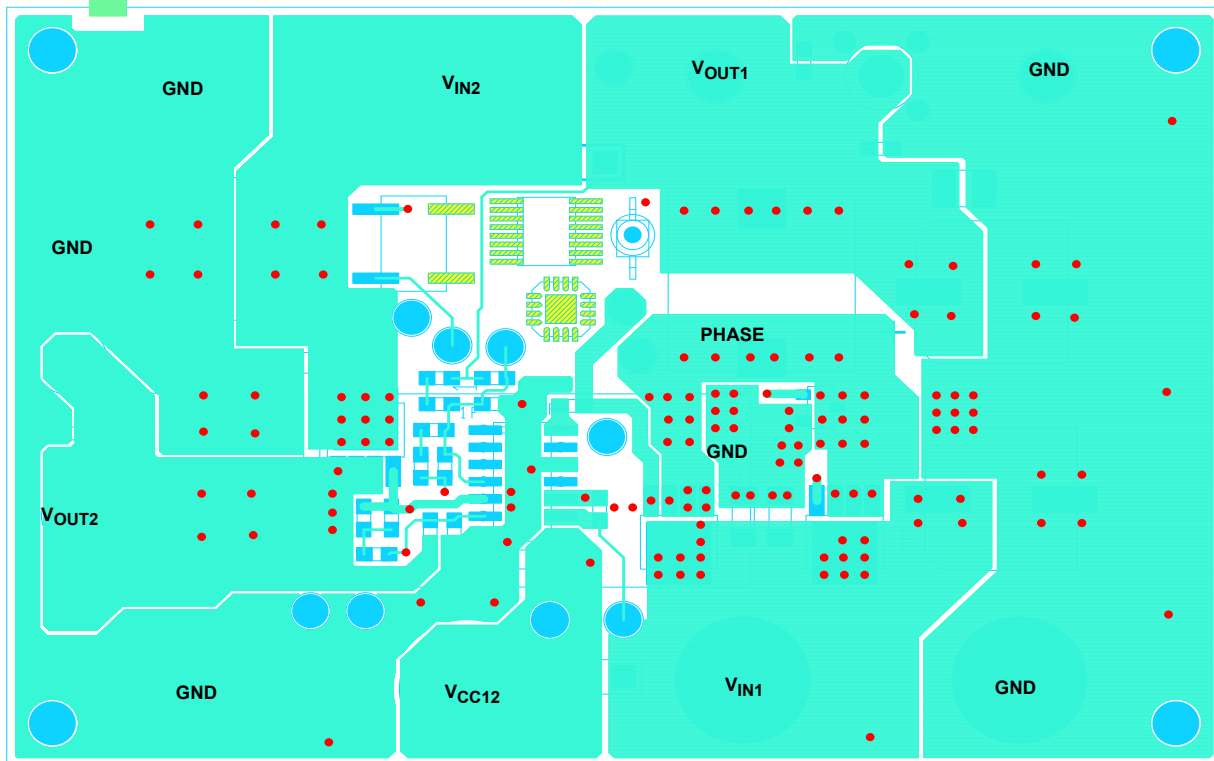
REFERENCE	PART NUMBER	DESCRIPTION	FOOTPRINT	MANUFACTURER	QUANTITY
C1		33nF Capacitor, X7R, 6.3V	0603		1
C2		0.022nF Capacitor, X7R, 6.3V	0603		1
C4		1 μ F Capacitor, X7R, 16V	0805		1
C5, 6		10 μ F Capacitor, X7R, 6.3V	0805		2
C7		0.22 μ F Capacitor, X7R, 6.3V	0603		1
C11, 12	10SVP560M or similar	560 μ F OS-CON Capacitor, 10V, ESR = 13m Ω	F12	Sanyo	2
C13, 14	16SVP150M or similar	150 μ F OS-CON Capacitor, 16V, ESR = 30m Ω	F8	Sanyo	2
C15, 20		22 μ F Capacitor, X7R, 16V	1206		2
C16		100 μ F Capacitor, X7R, 6.3V	1206		1
C17, 19		1 μ F Capacitor, X7R, 6.3V	0603		2
C18		0.01 μ F Capacitor, X7R, 6.3V	0603		1
C21			1206		DNP
C3, 30, 32, 33			0603		DNP
CR1	CMD91-21VGC/TR10	LED green CMD91-21VGC/TR10			1
D1			SMA		DNP
JP1, 2	68000-2336, 71363-102	2 pin jumper and shunt		Berg	2
J1-3	111-0102-001	Binding posts (red)		Johnson	3
J4-6	111-0103-001	Binding posts (black)		Johnson	3
J7-10	1514-2	Turrets			3
L1	IHLP-5050EZ-01	Inductor, 1.5 μ H, 3.4 23A		Vishay	1
Q1, 3	HAT2168	13.5m Ω max at 4.5V, 15A, Qgd = 2.4 nC	LFPK	Renesas	2
Q2, 4	HAT2165H	5.3m Ω max at 4.5V, 27.5A, Qgd = 7.1 nC	LFPK	Renesas	2
Q6	MTD3055VL or similar	180m Ω max at 5.0V, 6A;	DPAK	ON	1
Q5			LFPK		DNP
Q7			SOIC-8		DNP
Q8, 9			SOT23		DNP
R1, 5, 6		Resistor, 1.00k Ω , 1%	0603		3
R2		Resistor, 14.7k Ω , 1%	0603		1
R4		Resistor, 2.00k Ω , 1%	0603		1
R7		Resistor, 45.3k Ω , 1%	0603		1
R8, 9		Resistor, 0 Ω	0603		2
R10		Resistor, 680 Ω ,	0603		1
R12		Resistor, 10 Ω	0603		1
R3, 30, 31		Resistor, TBDk Ω , 1%	0603		DNP
SW1	SPST GT12MSCKE	SPST Switch		C&K	1
TPS1, S2	131-4353-00	Probe socket		Tektronix	2
TP1-13	5002	Test pins			13
U1	ISL6549	ISL6549	SOIC-14	Intersil	1
U3			QSOP-16		DNP
U4			QFN (4x4) - 16		DNP
		ISL6549EVAL1revB PCB board			1
		Rubber feet			4

ISL6549EVAL1 Layout

TOP SILK SCREEN

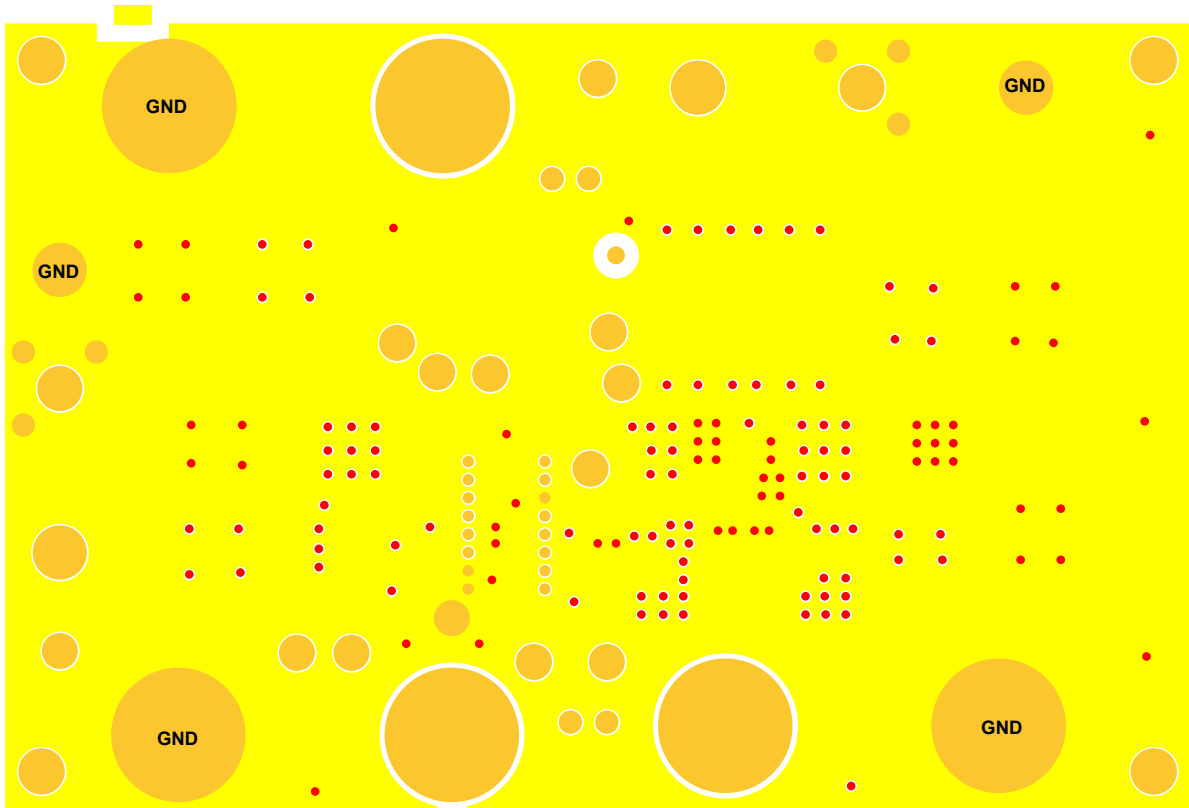


TOP LAYER (1st)

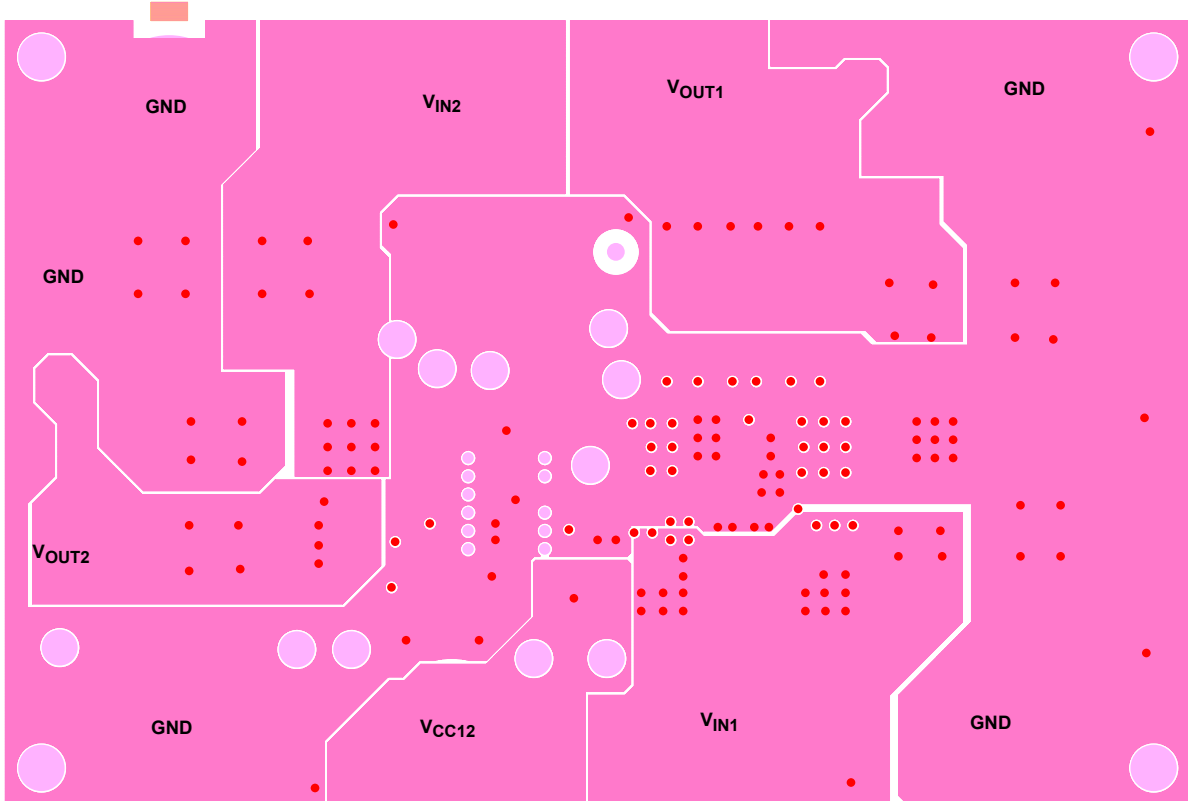


ISL6549EVAL1 Layout (Continued)

GROUND LAYER (2nd)

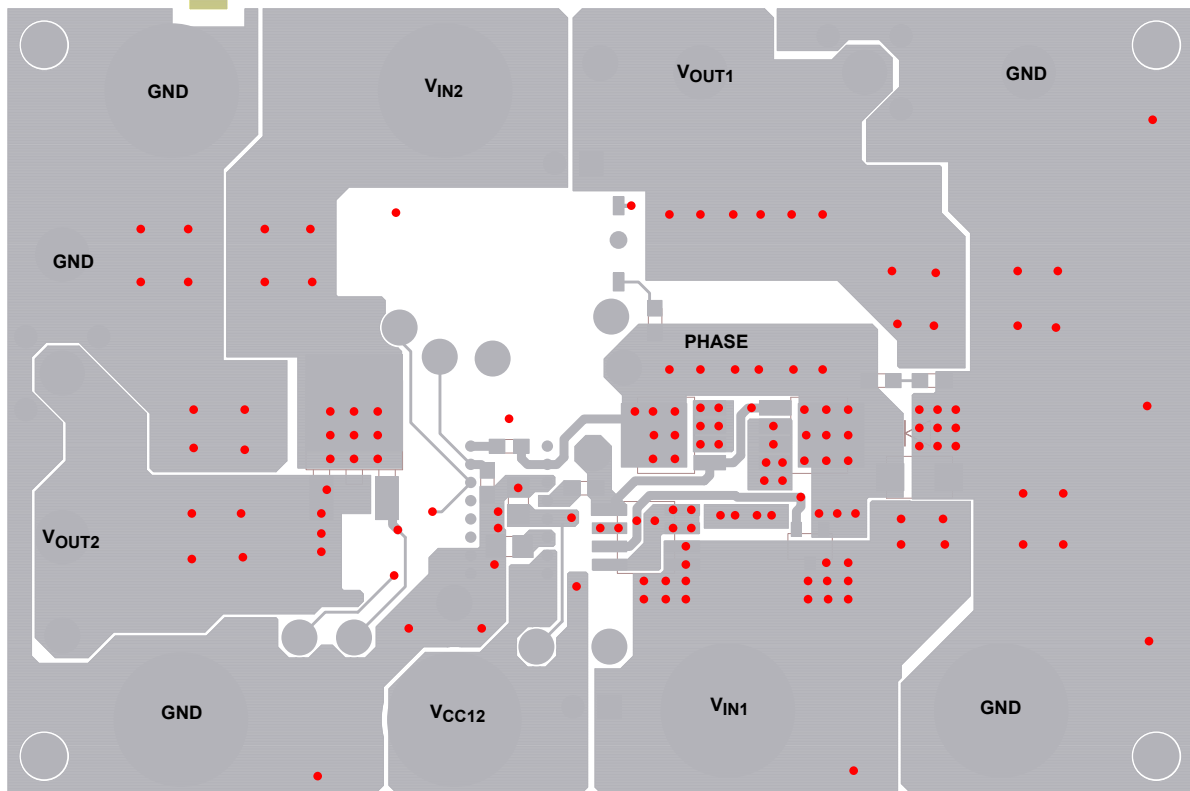


POWER LAYER (3rd)

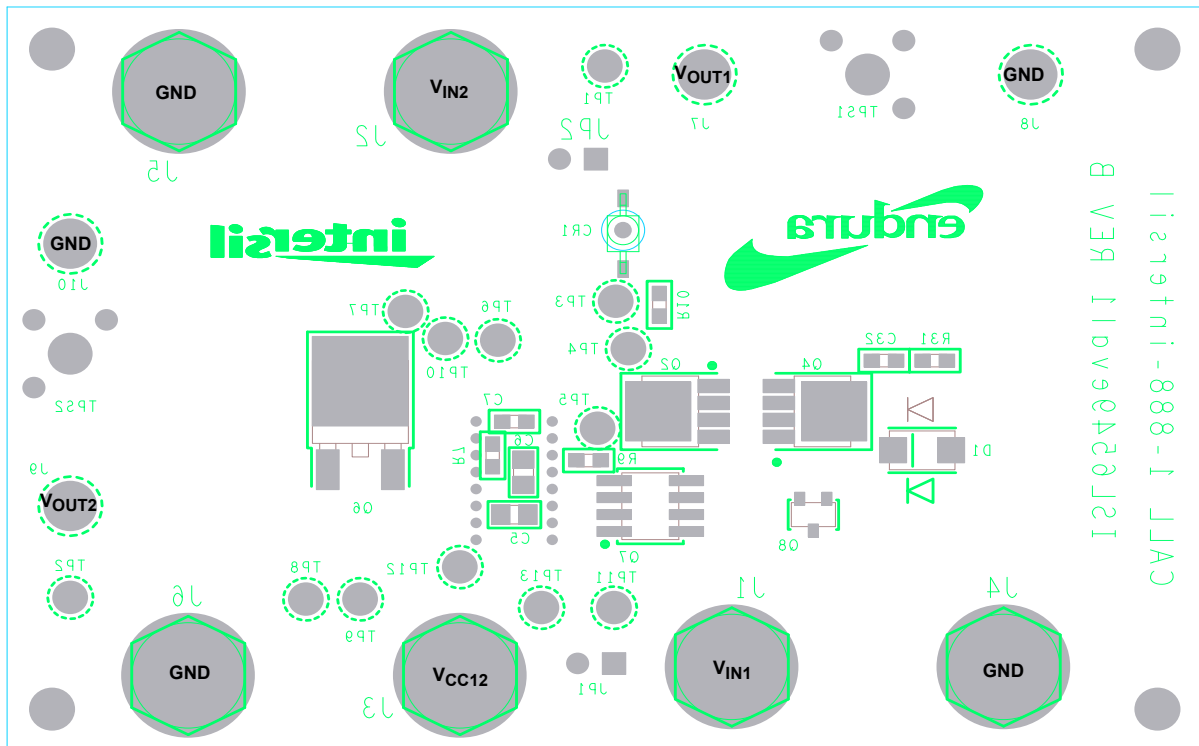


ISL6549EVAL1 Layout (Continued)

BOTTOM LAYER (4th)



BOTTOM SILK SCREEN



Notice

1. Descriptions of circuits, software and other related information in this document are provided only to illustrate the operation of semiconductor products and application examples. You are fully responsible for the incorporation or any other use of the circuits, software, and information in the design of your product or system. Renesas Electronics disclaims any and all liability for any losses and damages incurred by you or third parties arising from the use of these circuits, software, or information.
2. Renesas Electronics hereby expressly disclaims any warranties against and liability for infringement or any other claims involving patents, copyrights, or other intellectual property rights of third parties, by or arising from the use of Renesas Electronics products or technical information described in this document, including but not limited to, the product data, drawings, charts, programs, algorithms, and application examples.
3. No license, express, implied or otherwise, is granted hereby under any patents, copyrights or other intellectual property rights of Renesas Electronics or others.
4. You shall not alter, modify, copy, or reverse engineer any Renesas Electronics product, whether in whole or in part. Renesas Electronics disclaims any and all liability for any losses or damages incurred by you or third parties arising from such alteration, modification, copying or reverse engineering.
5. Renesas Electronics products are classified according to the following two quality grades: "Standard" and "High Quality". The intended applications for each Renesas Electronics product depends on the product's quality grade, as indicated below.
"Standard": Computers; office equipment; communications equipment; test and measurement equipment; audio and visual equipment; home electronic appliances; machine tools; personal electronic equipment; industrial robots; etc.
"High Quality": Transportation equipment (automobiles, trains, ships, etc.); traffic control (traffic lights); large-scale communication equipment; key financial terminal systems; safety control equipment; etc.
Unless expressly designated as a high reliability product or a product for harsh environments in a Renesas Electronics data sheet or other Renesas Electronics document, Renesas Electronics products are not intended or authorized for use in products or systems that may pose a direct threat to human life or bodily injury (artificial life support devices or systems; surgical implantations; etc.), or may cause serious property damage (space system; undersea repeaters; nuclear power control systems; aircraft control systems; key plant systems; military equipment; etc.). Renesas Electronics disclaims any and all liability for any damages or losses incurred by you or any third parties arising from the use of any Renesas Electronics product that is inconsistent with any Renesas Electronics data sheet, user's manual or other Renesas Electronics document.
6. When using Renesas Electronics products, refer to the latest product information (data sheets, user's manuals, application notes, "General Notes for Handling and Using Semiconductor Devices" in the reliability handbook, etc.), and ensure that usage conditions are within the ranges specified by Renesas Electronics with respect to maximum ratings, operating power supply voltage range, heat dissipation characteristics, installation, etc. Renesas Electronics disclaims any and all liability for any malfunctions, failure or accident arising out of the use of Renesas Electronics products outside of such specified ranges.
7. Although Renesas Electronics endeavors to improve the quality and reliability of Renesas Electronics products, semiconductor products have specific characteristics, such as the occurrence of failure at a certain rate and malfunctions under certain use conditions. Unless designated as a high reliability product or a product for harsh environments in a Renesas Electronics data sheet or other Renesas Electronics document, Renesas Electronics products are not subject to radiation resistance design. You are responsible for implementing safety measures to guard against the possibility of bodily injury, injury or damage caused by fire, and/or danger to the public in the event of a failure or malfunction of Renesas Electronics products, such as safety design for hardware and software, including but not limited to redundancy, fire control and malfunction prevention, appropriate treatment for aging degradation or any other appropriate measures. Because the evaluation of microcomputer software alone is very difficult and impractical, you are responsible for evaluating the safety of the final products or systems manufactured by you.
8. Please contact a Renesas Electronics sales office for details as to environmental matters such as the environmental compatibility of each Renesas Electronics product. You are responsible for carefully and sufficiently investigating applicable laws and regulations that regulate the inclusion or use of controlled substances, including without limitation, the EU RoHS Directive, and using Renesas Electronics products in compliance with all these applicable laws and regulations. Renesas Electronics disclaims any and all liability for damages or losses occurring as a result of your noncompliance with applicable laws and regulations.
9. Renesas Electronics products and technologies shall not be used for or incorporated into any products or systems whose manufacture, use, or sale is prohibited under any applicable domestic or foreign laws or regulations. You shall comply with any applicable export control laws and regulations promulgated and administered by the governments of any countries asserting jurisdiction over the parties or transactions.
10. It is the responsibility of the buyer or distributor of Renesas Electronics products, or any other party who distributes, disposes of, or otherwise sells or transfers the product to a third party, to notify such third party in advance of the contents and conditions set forth in this document.
11. This document shall not be reprinted, reproduced or duplicated in any form, in whole or in part, without prior written consent of Renesas Electronics.
12. Please contact a Renesas Electronics sales office if you have any questions regarding the information contained in this document or Renesas Electronics products.
(Note 1) "Renesas Electronics" as used in this document means Renesas Electronics Corporation and also includes its directly or indirectly controlled subsidiaries.
(Note 2) "Renesas Electronics product(s)" means any product developed or manufactured by or for Renesas Electronics.

(Rev.4.0-1 November 2017)



SALES OFFICES

Renesas Electronics Corporation

<http://www.renesas.com>

Refer to "<http://www.renesas.com/>" for the latest and detailed information.

Renesas Electronics America Inc.
1001 Murphy Ranch Road, Milpitas, CA 95035, U.S.A.
Tel: +1-408-432-8888, Fax: +1-408-434-5351

Renesas Electronics Canada Limited
9251 Yonge Street, Suite 8309 Richmond Hill, Ontario Canada L4C 9T3
Tel: +1-905-237-2004

Renesas Electronics Europe Limited
Dukes Meadow, Millboard Road, Bourne End, Buckinghamshire, SL8 5FH, U.K
Tel: +44-1628-651-700, Fax: +44-1628-651-804

Renesas Electronics Europe GmbH
Arcadiastrasse 10, 40472 Düsseldorf, Germany
Tel: +49-211-6503-0, Fax: +49-211-6503-1327

Renesas Electronics (China) Co., Ltd.
Room 1709 Quantum Plaza, No.27 ZhichunLu, Haidian District, Beijing, 100191 P. R. China
Tel: +86-10-8235-1155, Fax: +86-10-8235-7679

Renesas Electronics (Shanghai) Co., Ltd.
Unit 301, Tower A, Central Towers, 555 Langao Road, Putuo District, Shanghai, 200333 P. R. China
Tel: +86-21-2226-0888, Fax: +86-21-2226-0999

Renesas Electronics Hong Kong Limited
Unit 1601-1611, 16/F., Tower 2, Grand Century Place, 193 Prince Edward Road West, Mongkok, Kowloon, Hong Kong
Tel: +852-2265-6688, Fax: +852-2886-9022

Renesas Electronics Taiwan Co., Ltd.
13F, No. 363, Fu Shing North Road, Taipei 10543, Taiwan
Tel: +886-2-8175-9600, Fax: +886-2-8175-9670

Renesas Electronics Singapore Pte. Ltd.
80 Bendemeer Road, Unit #06-02 Hyflux Innovation Centre, Singapore 339949
Tel: +65-6213-0200, Fax: +65-6213-0300

Renesas Electronics Malaysia Sdn.Bhd.
Unit 1207, Block B, Menara Amcorp, Amcorp Trade Centre, No. 18, Jln Persiaran Barat, 46050 Petaling Jaya, Selangor Darul Ehsan, Malaysia
Tel: +60-3-7955-9390, Fax: +60-3-7955-9510

Renesas Electronics India Pvt. Ltd.
No.777C, 100 Feet Road, HAL 2nd Stage, Indiranagar, Bangalore 560 038, India
Tel: +91-80-67208700, Fax: +91-80-67208777

Renesas Electronics Korea Co., Ltd.
17F, KAMCO Yangjae Tower, 262, Gangnam-daero, Gangnam-gu, Seoul, 06265 Korea
Tel: +82-2-558-3737, Fax: +82-2-558-5338