

MICON 5, SMT low, 5,5 N, 1 NO



fields of application

- › Measurement-control-regulation
- › Mechanical and system engineering
- › Automotive
- › Electro-medical

special features

- › Gold contacts, reliable switching with low currents
- › Special tactile feedback
- › High packing density due to small form factor (5.1 x 6.4 mm)
- › Different operating forces
- › Ring and full illumination of the button surface due to plunger
- › Variable overall heights due to plunger
- › Terminal technology: SMT
- › Traceability through product identification in accordance with DIN EN ISO 9001



description

MICON 5 tactile switches offer extreme switching reliability, with a very small space requirement. They can be arranged individually, in rows or as key blocks. For use beneath overlays, we recommend combining the MICON 5 key switches with plungers. Here are the properties at a glance:

- › Suitable for the most important soldering techniques
- › Soldering bath for THT versions
- › Reflow soldering for SMT versions
- › Vapor phase soldering for SMT versions
- › Manual soldering
- › Processing of the SMT design with SMT automatic assembly machines
- › IMDS entry

MICON 5, SMT nieder mit einer Bauhöhe von nur 3,45 mm Verarbeitungshinweis: Sonderpipette (Siemens Siplace Best.-Nr. 348514-02) Bestückung mit Revolverkopf. Vorschlag für Schablonendruck: 150 µm-Schablone mit 10% Pad-Verkleinerung auf Fläche

technical data

› general

illuminated	No
Operating temperature, min.	-40 °C
Operating temperature, max.	90 °C
Storage temperature, min.	-40 °C
Storage temperature, max.	90 °C
Soldering	Reflow

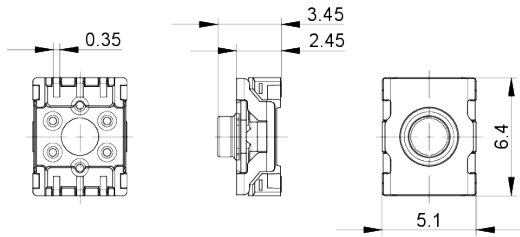
direct links

- › [RAFI eCatalog](#)

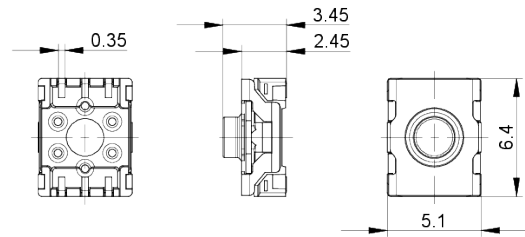
Shock resistance according to standard IEC 60068-2-27	100 g at 6 ms amplitude semi-sinusoidal
Packaging	Blister
Packaging unit	2,100 pcs.
net weight	0.3 g
Operating life	1,000,000 Cycles
RoHS compliant	Yes
REACH compliant	Yes
oscillation resistance according to standard IEC 60068-2-6	5 g at 10...500 Hz
Solder heat resistance according to standard	DIN EN 60068-2-58 DIN EN 61760-1
MOQ order	2,100
> mounting diameters	
Installation height	3.45 mm
Grid, min.	6 x 7,8 mm
Outside dimension, length	6.4 mm
Outside dimension, width	5.1 mm
Outside dimension, height	3.45 mm
> mechanical data	
Actuation function	momentary contact function
Operating force, min.	5,5 N
Switching travel	0.7 mm
Contact function	1 NO
Contact system	Snap-action contact
Contact material	Gold
Terminal on the rear	SMT
Solderability	Yes
> electrical data	
Rated voltage, min.	0.02 V
Rated voltage, max.	35 V
Rated current, min.	0.00001 A
Rated current, max.	0.1 A
Rated power, max.	1 W
Dielectric strength	250 V

drawings

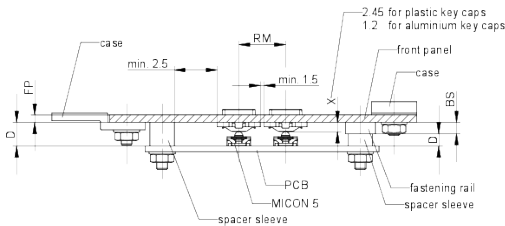
Dimensioned drawing



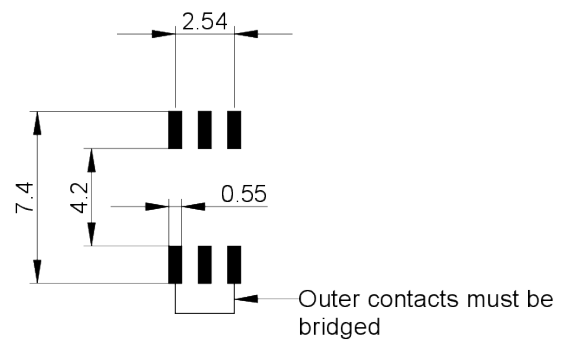
Dimensioned drawing



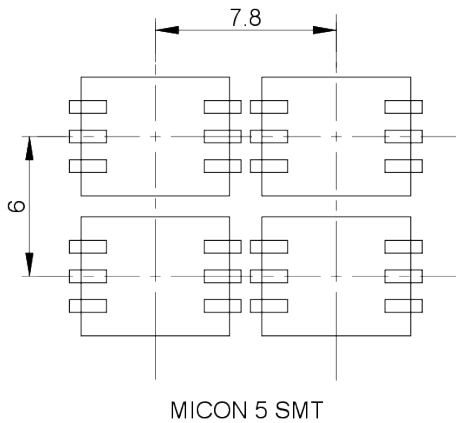
System drawing



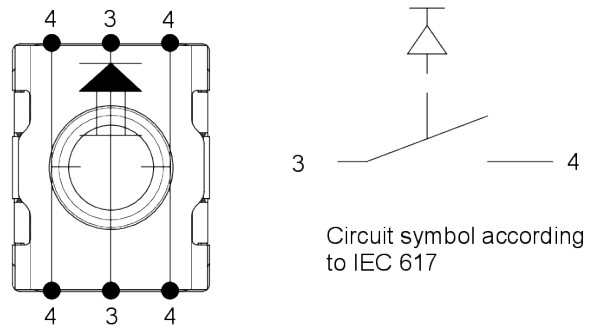
PCB drawing



PCB drawing



Schematic diagram



Product labeling drawing

Packaging drawing

