

TTL Modulation Red Dot Laser Module

VLM-635-31-Series



FEATURES:

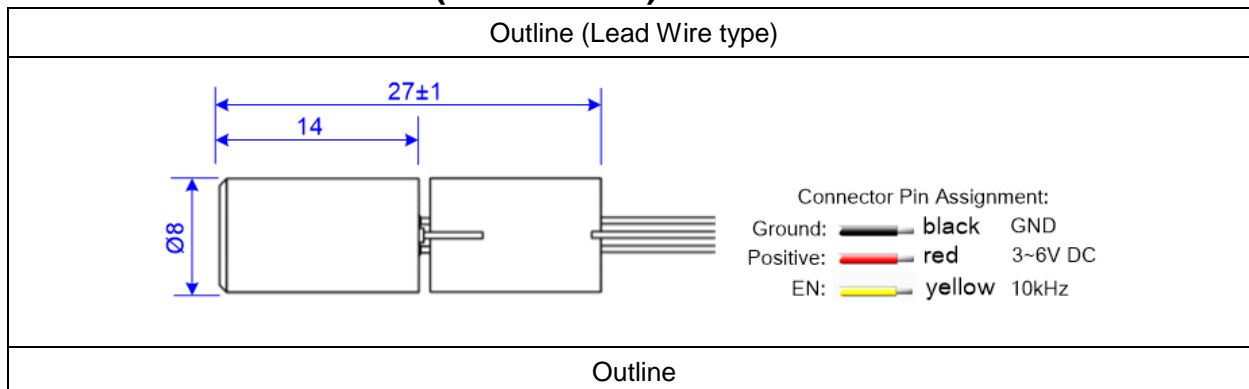
- TTL Modulation Red Dot Laser Module.
- CW to 10K HZ stable power output for demanding power and speed are of important.
- This module has integrated optic, laser diode, and APC with TTL control driver circuit.
- APC Driver Circuit enables the Laser output power safe and constant.
- Dimensions : Ø8 x 27 mm (Ø0.314" x 1.06")
- Wavelength : 630~645nm
- Output power : LPA - Class IIIa – less than 4mW.
LPT - Class II – less than 1mW.
- Beam Divergence (Half Angle) : <0.4 mRad
- 3~6 VDC operation.
- Connection type : Lead wire

APPLICATIONS:

- Free space low frequency optical communication.
- Laser base measurement.
- 2D, 3D position, sampling.
- Medical application.
- Optical lighting.
- Counting.
- Scanning.
- I2C and Can Bus application.
- Medical science

VLM-635-31-Series

OUTLINE DIMENSIONS (UNITS: mm)



SPECIFICATIONS

SPECIFICATIONS		VLM-635-31-	
		LPT	LPA
1	Dimensions	Ø8 x 27 mm (Ø0.314" x 1.06")	
2	Weight	2.4g	
3	Operating voltage (Vop)	3~6 VDC	
4	Operating current (Iop)	<40mA	<60mA
5	Continuous wave output power (Po)	<1mW	<4mW
6	Wavelength at peak emission (λp)	635nm	
7	Collimating Lens	Aspherical Glass lens	
8	Output Aperture	5mm	
9	Beam Shape	Dot	
10	Spot size at 10M	5±1mm	
11	Divergence(Half Angle)	<0.4mRad	
12	Operating temp. range	-20°C ~ +60°C	
13	Storage temp. range	-40°C ~ +85°C	
14	Housing Material	Aluminum	
15	Housing Color	Black	
16	Potential of Housing	Insulated	
17	Mod. Frequency Range	0-10kHz	
18	Operation Mode	TTL(High on)	
19	EN input current	1 to 20mA	
20	Wire Type	1007-26AWG	
21	Cable length	115±15mm	
22	Mean time to failure(MTTF) 25°C	10000hrs	

VLM-635-31-Series

ORDER CODE

Order Code	Wavelength	Output Power	Connection Type
VLM-635-31 LPA	635 nm	<4mW	Lead Wire
VLM-635-31 LPT	635 nm	<1mW	Lead Wire

SAFETY LABEL

