

Ultra-Far Range Laser

VLM-635-17-Series



FEATURES:

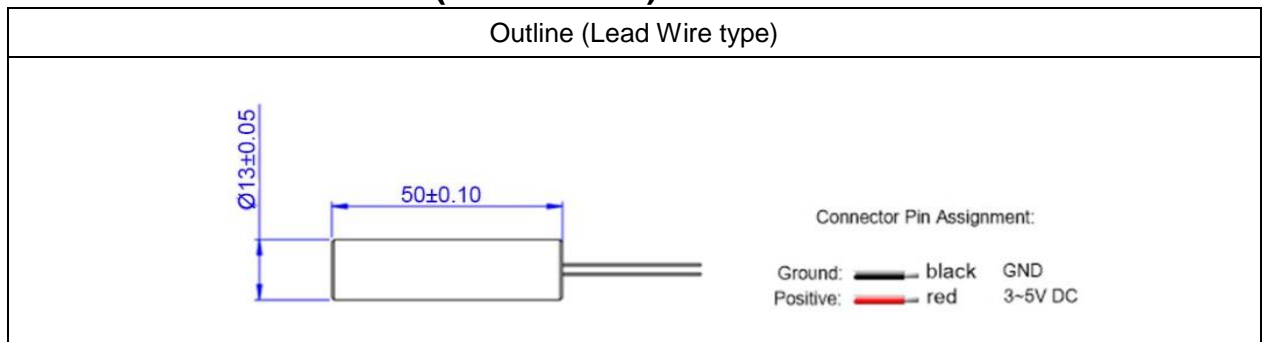
- Ultra-Far Range Round Dot Laser for long range alignment, positioning, measuring and pointing.
- Diffraction Limited Lens to achieve a near-collimated Laser system, which can be sighted Ultra-Far distance range.
- Perfect Round Dot less than 3/4 inch at 100 yards / 22mm at 100 meters.
- Anodized aluminum housing provide insulated housing.
- This module has integrated optic, laser diode, and APC driver circuit.
- APC Driver Circuit enables the Laser output power safe and constant.
- Glass-base hybrid lens provides Ultra-Far range Round Dot Laser.
- Dimensions : Ø13 x 50 mm (Ø0.511" x 1.96").
- Wavelength : 625~645 nm
- Output power : LPT - Class II – 0.7~0.9mW.
LPA - Class IIIa – 2~3mW
LPB - Class IIIb – 5~6mW
- Beam Divergence (Half Angle) : <0.1 mRad
- 3~5 VDC operation.
- Connection type: Lead wire.

APPLICATIONS:

- Red Round Dot Laser-glass aspherical lens with long back focus length function to generate smallest spot at long distances. Ideal use for long distance alignment position, targeting, professional laser sight and security monitor.

VLM-635-17-Series

OUTLINE DIMENSIONS (UNITS: mm)



SPECIFICATIONS

SPECIFICATIONS		VLM-635-17		
		LPT	LPA	LPB
1	Dimensions	$\varnothing 13 \times 50$ mm ($\varnothing 0.511'' \times 1.96''$)		
2	Weight	<15g		
3	Operating voltage (Vop)	3~5 VDC		
4	Operating current (Iop)	< 60mA	< 70mA	< 85mA
5	Continuous wave output power (Po)	0.7~0.9mW	2~3mW	5~6mW
6	Wavelength at peak emission (λ_p)	635 \pm 10nm		
7	Collimating lens	Aspherical glass lens		
8	Output aperture	8mm		
9	Beam shape	Round		
10	Spot size at 40M / 100M	< 9 mm / < 22mm		
11	Beam divergence(Half angle)	< 0.1 mRad		
12	Operating temp. range	-10°C ~+50°C		
13	Storage temp. range	-20°C ~+80°C		
14	Housing material	Aluminum		
15	Housing color	Black		
16	Potential of housing	Insulated		
17	Wire type	1007-26AWG		
18	Cable length	115 \pm 15mm		
19	Mean time to failure (MTTF) 25°C	10000hrs		

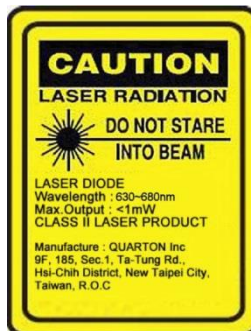
VLM-635-17-Series

ORDER CODE

Order Code	Wavelength	Output Power	Connection Type
VLM-635-17 LPT	635 nm	0.7~0.9mW	Lead Wire
VLM-635-17 LPA	635 nm	2~3mW	Lead Wire
VLM-635-17 LPB	635 nm	5~6mW	Lead Wire

SAFETY LABEL

LPT:



LPA:



LPB:

