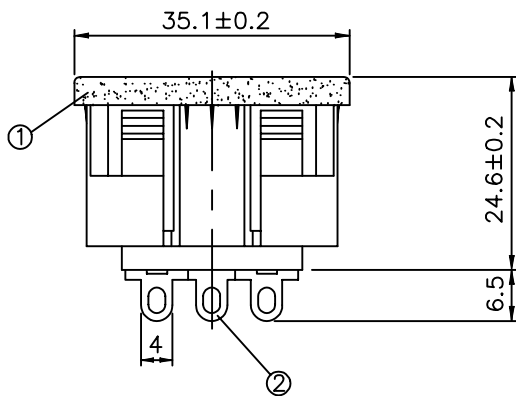
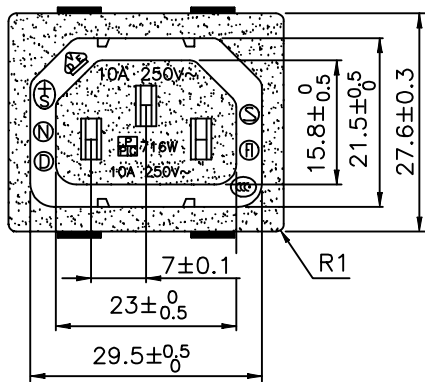


Revision			
Rev.	Description	Date	Approved
B	Structure and dimensions change	05-20-04	BZ

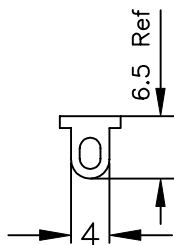
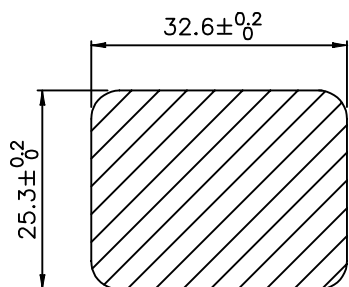
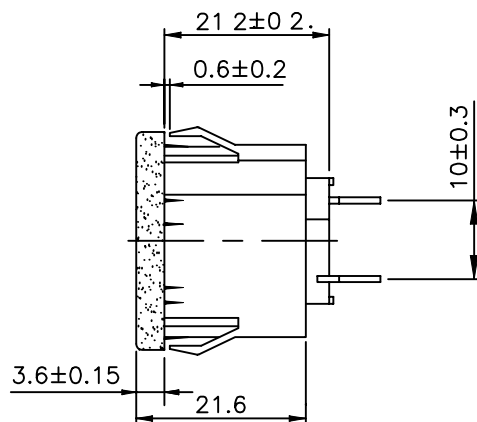
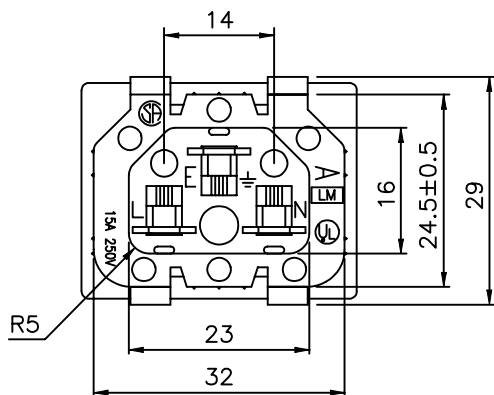


Material:

Housing: Thermoplastic  
Terminal: Copper Alloy

Characteristics:

Rating: 15A 250 V AC  
Insulation Resistance: Over 100M OHM 500VDC  
Dielectric Strengths: 2000VAC AC One Minute  
Approvals: UL,CSA  
Rating: 10A 250V AC  
Approvals: VDE, SEV, SEMKO, DEMKO,  
FIMKO, NEMKO AND CCC



RECOMMENDED PANEL THICKNESS: 0.8~1.5mm

Dim range (mm)	Tolerance +/- (mm)	Qualtek Electronics Corp. PPC DIVISION		
		Part Number: 716W-X2/01		
X	±0.4	Description: UNIVERSAL SNAP-IN OUTLET		
X.X	±0.3			Rev B
X.XX	±0.1	Drawn/Date	Checked/Date	Approved/Date
ANGLE	±1°	B.ZHANG 05-20-04	BL/05-20-04	JJH/05-20-04