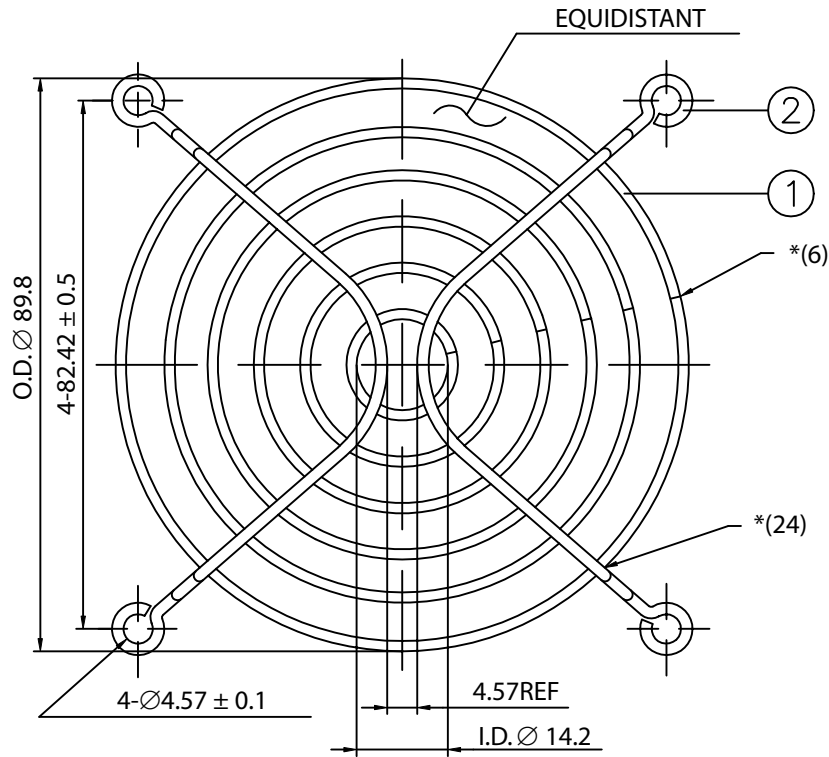


		Revision	
Rev.	Description	Date	Approved



NOTE:

- MATERIAL: SAE, 1008(OR EQUIVALENT) BRIGHT BASIC WIRE
- FINISH: BRIGHT NICKEL-CHROME (TRIVALENT CHROME) PLATING
- 0.30 ± 0.05 DEPTH OF SERRATIONS ON WIRE.
- WELD JOINTS TO WITHSTAND 50 LBS. PULL FORCE.
- RING: Ø1.6: RIB: Ø1.8
- UNIT: mm
- RoHS COMPLIANT

2	~007	RIB Ø1.6	2
1	-001~006	RIB Ø1.6	6
No.	Part No.	Title	PCS
<b>Qualtek Electronics Corp.</b>			
<b>FAN-S DIVISION</b>			
Part Number:		<b>08174</b>	<b>RoHS Compliant</b>
Description:			
<b>WIRE FORM FAN GUARD (92mm)</b>			
Dim range (mm)	Tolerance +/- (mm)	<b>UNIT: mm</b>	
0-1	0.15		
1-6	0.20	<b>Rev B</b>	
6-18	0.30		
18-50	0.50	Drawn / Date      Checked / Date      Approved / Date	
50-120	0.70		
120-250	0.90	B. Grubb 08-18-06      08-18-06      JJH / 08-18-06	
250-500	1.20		