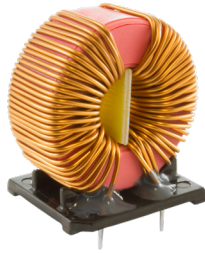


# THT Common Mode Chokes

PH9455.XXXNL Series



- Dielectric Strength:** 1500Vrms
- Inductance Range:** 1.00mH (at 22.0A) to 82.0mH (at 3.0A)
- Height:** 28.0mm Max
- Footprint:** 12.6mm x 10.0mm
- Voltage Rating:** 250Vac Max

**Electrical Specifications @ 25°C - Operating Temperature -40°C to +125°C**

Part Number	Inductance (1-4)=(2-3) (mH +50%/-30%)	Current Rating (1-4)=(2-3) <sup>1</sup> (A)	DCR (1-4)=(2-3) (mΩ Max)	Self Resonant Frequency (1-4)=(2-3) (MHz Min)	Impedance (kOhms Min at SRF)
PH9455.105NL	1.00	22	2.10	15.94	1.5
PH9455.155NL	1.62	19	3.20	10.00	1.8
PH9455.205NL	2.20	16	4.50	8.39	2.6
PH9455.405NL	4.50	12	8.50	4.00	4.4
PH9455.705NL	6.50	9	14.0	1.52	6.4
PH9455.156NL	15.0	6	30.0	0.76	10
PH9455.356NL	35.0	4	80.0	0.33	21
PH9455.826NL	82.0	3	150	0.13	37

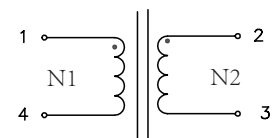
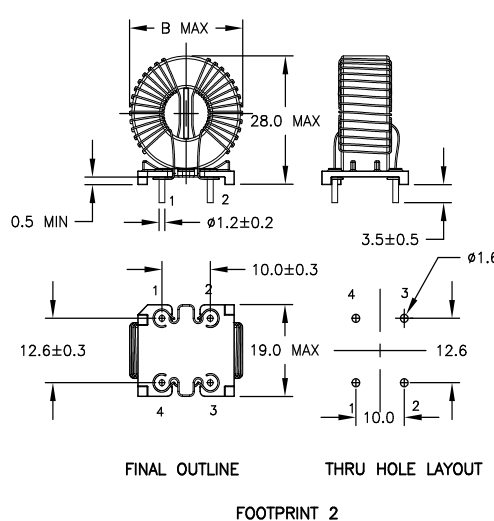
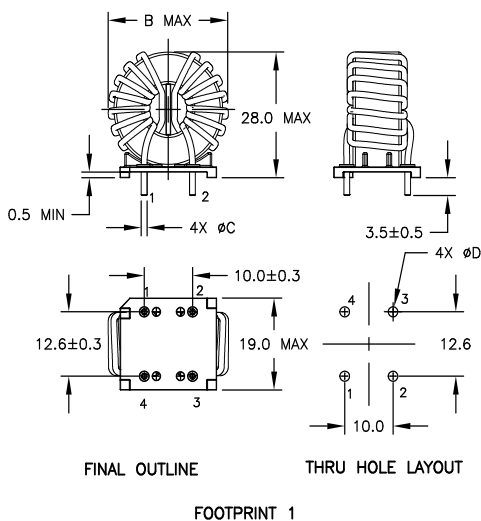
**Notes:**

1. The current rating (I<sub>rated</sub>) is based upon the temperature rise of the component and represents the rms current which will cause a typical temperature rise of 55°C.

**Mechanical**

**Schematic**

**PH9455.XXXNL**



PART NUMBER	B	C	D	FOOTPRINT
PH9455.105NL	30.0	1.63±0.20	2.10	1
PH9455.155NL		1.45±0.20	1.90	
PH9455.205NL		1.29±0.20	1.70	
PH9455.405NL	27.0	1.15±0.20	1.50	2
PH9455.705NL		1.02±0.20	1.45	
PH9455.156NL				
PH9455.356NL				
PH9455.826NL				

**Weight (TYP)** .....20grams

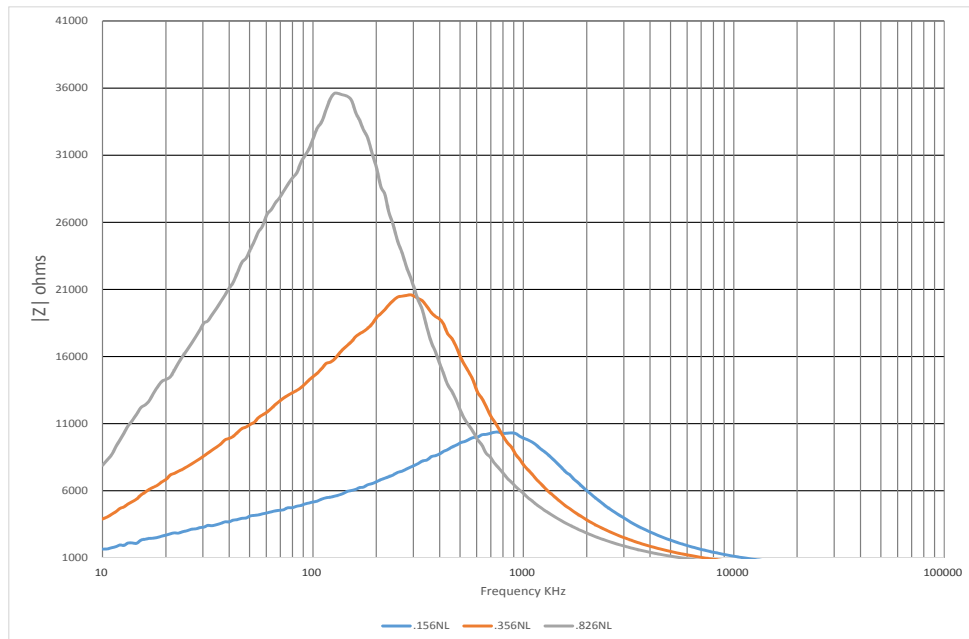
**Tray** .....45/tray

**Dimensions: mm**

Unless otherwise specified, all tolerance are ±0.25

# THT Common Mode Chokes

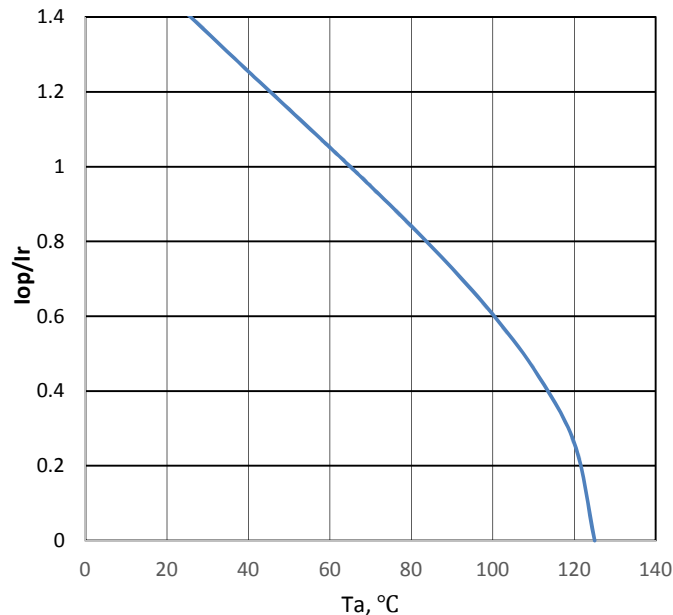
PH9455.XXXNL Series



# THT Common Mode Chokes

PH9455.XXXNL Series

Current derating  $I_{op}/I_r$   
versus ambient temperature  $T_a$



## For More Information

### Pulse Worldwide Headquarters

15255 Innovation Drive Ste 100  
San Diego, CA 92128  
U.S.A.

Tel: 858 674 8100  
Fax: 858 674 8262

### Pulse Europe

Pulse Electronics GmbH  
Am Rottland 12  
58540 Meinerzhagen  
Germany

Tel: 49 2354 777 100  
Fax: 49 2354 777 168

### Pulse China Headquarters

Pulse Electronics (ShenZhen) CO., LTD  
D708, Shenzhen Academy of  
Aerospace Technology,  
The 10th Keji South Road,  
Nanshan District, Shenzhen,  
P.R. China 518057

Tel: 86 755 33966678  
Fax: 86 755 33966700

### Pulse North China

Room 2704/2705  
Super Ocean Finance Ctr.  
2067 Yan An Road West  
Shanghai 200336  
China

Tel: 86 21 62787060  
Fax: 86 2162786973

### Pulse South Asia

3 Fraser Street  
0428 DUO Tower  
Singapore 189352

Tel: 65 6287 8998  
Fax: 65 6280 0080

### Pulse North Asia

1F., No.111 Xiyuan Rd  
Zhongli City  
Taoyuan City 32057  
Taiwan (R.O.C)

Tel: 886 3 4356768  
Fax: 886 3 4356820

Performance warranty of products offered on this data sheet is limited to the parameters specified. Data is subject to change without notice. Other brand and product names mentioned herein may be trademarks or registered trademarks of their respective owners. © Copyright, 2019. Pulse Electronics, Inc. All rights reserved.