

# PULSEJACK™

## 1x1 Tab-DOWN RJ45



### Description:

10/100 Base-TX RJ45 1x1 Tab-DOWN with LEDs 8-pin (J0 series) integrated magnetics connector (ICM), designed to support applications, such as SOHO (ADSL modems), LAN-on-Motherboard (LOM), Hub and Switches.



### Features and Benefits:

- Ⓜ RoHS-5 peak wave solder temperature rating 235°C
- Ⓜ RoHS-6 peak wave solder temperature rating 260°C
- Ⓜ Suitable for CAT 5 & 6 Fast Ethernet Cable or better UTP

### Electrical Performance Summary:

- Ⓜ Meets or exceeds IEEE 802.3 standard for 100Base-T
- Ⓜ 350µH minimum OCL with 8mA bias current
- Ⓜ Minimum 1500Vrms isolation per IEEE 802.3 requirement

### Electrical Specifications @ 25°C — Operating Temperature 0°C to +70°C

| RoHS-5 Part No.        | RoHS-6 Part No.          | Turns Ratios |       | Mech. Drawing | EMI Fingers | LEDs <sup>1</sup> (L/R) | Insertion Loss (dB TYP) | Return Loss (dB TYP) 100W ±15W |          |           |           |           | Crosstalk (dB TYP) |           |            | Common Mode Rejection (dB TYP) | Hipot (Vrms) @60Hz 1 MIN |
|------------------------|--------------------------|--------------|-------|---------------|-------------|-------------------------|-------------------------|--------------------------------|----------|-----------|-----------|-----------|--------------------|-----------|------------|--------------------------------|--------------------------|
|                        |                          | TX           | RX    |               |             |                         |                         | 1-65 MHz                       | 1-10 MHz | 10-30 MHz | 30-60 MHz | 60-80 MHz | 1-30 MHz           | 30-60 MHz | 60-100 MHz |                                |                          |
| J0006D01B              | J0006D01BNL              | 1CT:1        | 1CT:1 | A             | No          | G/Y                     | -1                      | -20                            | -16      | -12       | -10       | -40       | -35                | -30       | -30        | -20                            | 1500                     |
| J0006D21               | J0006D21NL               | 1CT:1        | 1CT:1 | E             | YES         | N/A                     | -1                      | -20                            | -16      | -12       | -10       | -40       | -35                | -30       | -30        | -20                            | 1500                     |
| J0006D21B              | J0006D21BNL              | 1CT:1        | 1CT:1 | B             | YES         | G/Y                     | -1                      | -20                            | -16      | -12       | -10       | -40       | -35                | -30       | -30        | -20                            | 1500                     |
| J0011D01               | J0011D01NL               | 1CT:1        | 1CT:1 | C             | No          | N/A                     | -1                      | -20                            | -16      | -12       | -10       | -40       | -35                | -30       | -30        | -20                            | 1500                     |
| J0011D01B              | J0011D01BNL              | 1CT:1        | 1CT:1 | A             | No          | G/Y                     | -1                      | -20                            | -16      | -12       | -10       | -40       | -35                | -30       | -30        | -20                            | 1500                     |
| J0011D21               | J0011D21NL               | 1CT:1        | 1CT:1 | E             | YES         | N/A                     | -1                      | -20                            | -16      | -12       | -10       | -40       | -35                | -30       | -30        | -20                            | 1500                     |
| J0011D21B              | J0011D21BNL              | 1CT:1        | 1CT:1 | B             | YES         | G/Y                     | -1                      | -20                            | -16      | -12       | -10       | -40       | -35                | -30       | -30        | -20                            | 1500                     |
| J0011D21E              | J0011D21ENL              | 1CT:1        | 1CT:1 | B             | YES         | G/G                     | -1                      | -20                            | -16      | -12       | -10       | -40       | -35                | -30       | -30        | -20                            | 1500                     |
| J0012D21               | J0012D21NL               | 1CT:1        | 1CT:1 | E             | YES         | N/A                     | -1                      | -20                            | -16      | -12       | -10       | -40       | -35                | -30       | -30        | -20                            | 1500                     |
| J0018D21               | J0018D21NL               | 1CT:1.414    | 1CT:1 | E             | YES         | N/A                     | -1                      | -20                            | -16      | -12       | -10       | -40       | -35                | -30       | -30        | -20                            | 1500                     |
| J0018D21E              | J0018D21ENL              | 1CT:1.414    | 1CT:1 | B             | YES         | G/G                     | -1                      | -20                            | -16      | -12       | -10       | -40       | -35                | -30       | -30        | -20                            | 1500                     |
| J0024D21               | J0024D21NL               | 1CT:2        | 1CT:1 | E             | YES         | N/A                     | -1                      | -20                            | -16      | -12       | -10       | -40       | -35                | -30       | -30        | -20                            | 1500                     |
| J0024D21B              | J0024D21BNL              | 1CT:2        | 1CT:1 | B             | YES         | G/Y                     | -1                      | -20                            | -16      | -12       | -10       | -40       | -35                | -30       | -30        | -20                            | 1500                     |
| J0026D01               | J0026D01NL               | 1CT:1        | 1CT:1 | D             | No          | N/A                     | -1                      | -20                            | -16      | -12       | -10       | -40       | -35                | -30       | -30        | -20                            | 1500                     |
| J0026D01B              | J0026D01BNL              | 1CT:1        | 1CT:1 | A             | No          | G/Y                     | -1                      | -20                            | -16      | -12       | -10       | -40       | -35                | -30       | -30        | -20                            | 1500                     |
| J0026D01E              | J0026D01ENL              | 1CT:1        | 1CT:1 | A             | No          | G/G                     | -1                      | -20                            | -16      | -12       | -10       | -40       | -35                | -30       | -30        | -20                            | 1500                     |
| J0026D01F <sup>2</sup> | J0026D01FNL <sup>2</sup> | 1CT:1        | 1CT:1 | A             | No          | G/Y                     | -1                      | -20                            | -16      | -12       | -10       | -40       | -35                | -30       | -30        | -20                            | 1500                     |
| J0026D21               | J0026D21NL               | 1CT:1        | 1CT:1 | E             | YES         | N/A                     | -1                      | -20                            | -16      | -12       | -10       | -40       | -35                | -30       | -30        | -20                            | 1500                     |
| J0026D21B              | J0026D21BNL              | 1CT:1        | 1CT:1 | B             | YES         | G/Y                     | -1                      | -20                            | -16      | -12       | -10       | -40       | -35                | -30       | -30        | -20                            | 1500                     |
| J0026D21E              | J0026D21ENL              | 1CT:1        | 1CT:1 | B             | YES         | G/G                     | -1                      | -20                            | -16      | -12       | -10       | -40       | -35                | -30       | -30        | -20                            | 1500                     |
| J0026D21F <sup>2</sup> | J0026D21FNL <sup>2</sup> | 1CT:1        | 1CT:1 | B             | YES         | G/Y                     | -1                      | -20                            | -16      | -12       | -10       | -40       | -35                | -30       | -30        | -20                            | 1500                     |
| J0026D21G <sup>3</sup> | J0026D21GNL <sup>3</sup> | 1CT:1        | 1CT:1 | B             | YES         | YG/G                    | -1                      | -20                            | -16      | -12       | -10       | -40       | -35                | -30       | -30        | -20                            | 1500                     |
| J0033D21               | J0033D21NL               | 1.25CT:1     | 1CT:1 | E             | YES         | N/A                     | -1                      | -20                            | -16      | -12       | -10       | -40       | -35                | -30       | -30        | -20                            | 1500                     |
| J0035D21B              | J0035D21BNL              | 1CT:1        | 1CT:1 | F             | YES         | G/Y                     | -1                      | -20                            | -16      | -12       | -10       | -40       | -35                | -30       | -30        | -20                            | 1500                     |
| J0073D01B              | J0073D01BNL              | 1CT:2.5      | 1CT:1 | A             | No          | G/Y                     | -1                      | -20                            | -16      | -12       | -10       | -40       | -35                | -30       | -30        | -20                            | 1500                     |

Notes: 1. LEDs Left/Right: G=green, Y=yellow, N/A=none, YG=Bi-color LED Yellow Green. 2. LEDs with internal resistor. 3. Bi-color Left LED. 4. RoHS-5 - Product does not contain 5 out of the 6 banned substances specified in the RoHS directive. Product contains lead in applications considered as solders. 5. RoHS-6 - Product does not contain 5 out of the 6 banned substances specified in the RoHS directive. Some internal connections may contain lead in high temperature solder (solder alloys containing more than 85% lead).

### RJ45 Durability Testing Rating

| Part Number | Mating Force (MAX) | Unmating Force (MAX) | Durability     | Plug to Jack Retention (MIN) |
|-------------|--------------------|----------------------|----------------|------------------------------|
| J0 Series   | 5 lbs./2.268 kgs.  | 5 lbs./2.268 kgs.    | 750 Insertions | 20 lbs./9.072 kgs.           |

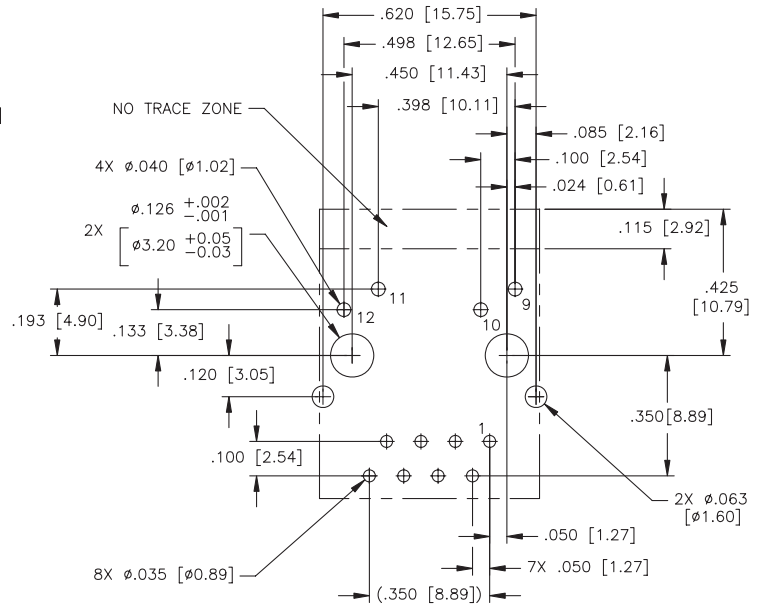
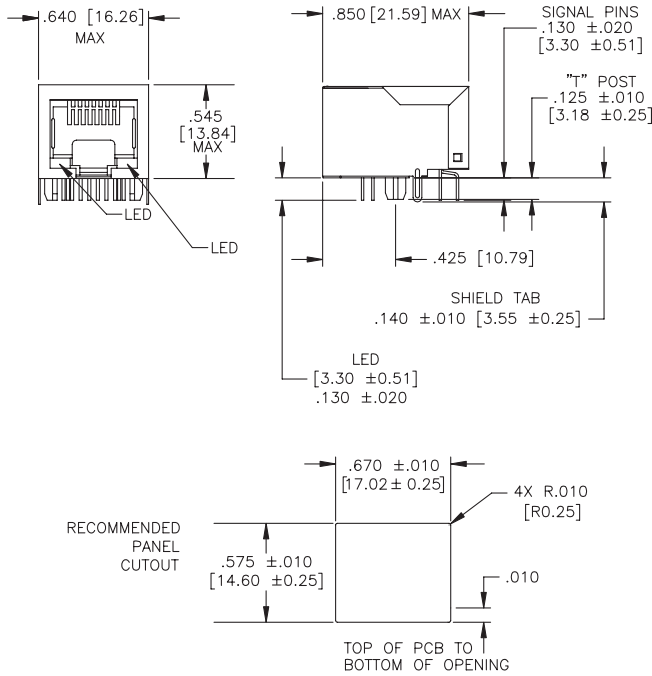
### RJ45 Material Specification

| Part Number | Shield   |   | Contact         |   | Housing                                      |               | MSL <sup>3</sup> Rating |   |
|-------------|----------|---|-----------------|---|--|---------------|-------------------------|---|
|             | Material | Finish  | Material        | Plating Area  | Material                                     | Specification |                         |   |
| J0 Series   | Brass    | 10-20m inches Nickel over 10-20m inches Brass | Phosphor Bronze | Nickel underplating and selective gold plating 15µ inches | 120µ inches Sn90/Pb10 over 50µ inches nickel | Thermoplastic | UL 94 V-0               | 1 |

Notes: 1. Connector dimensions comply with FCC dimension requirements. 2. RoHS-6 parts are tin matte finish over nickel. 3. MSL = Moisture Sensitivity Level rating from 1 to 5 (highest rating = 1, lowest rating = 5)

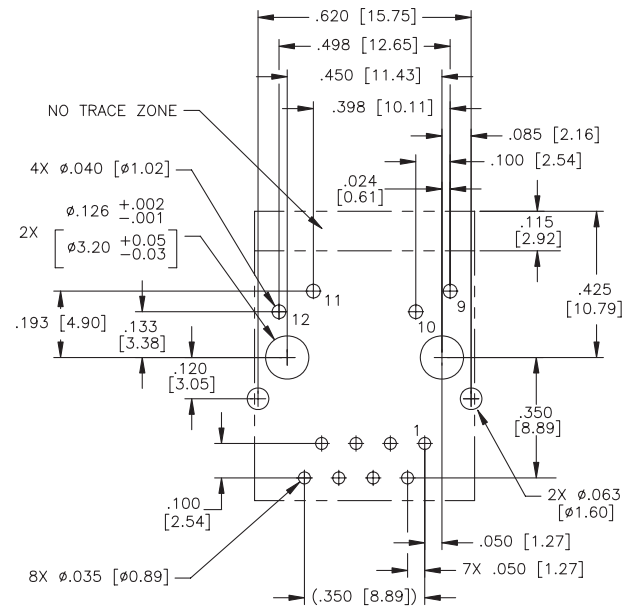
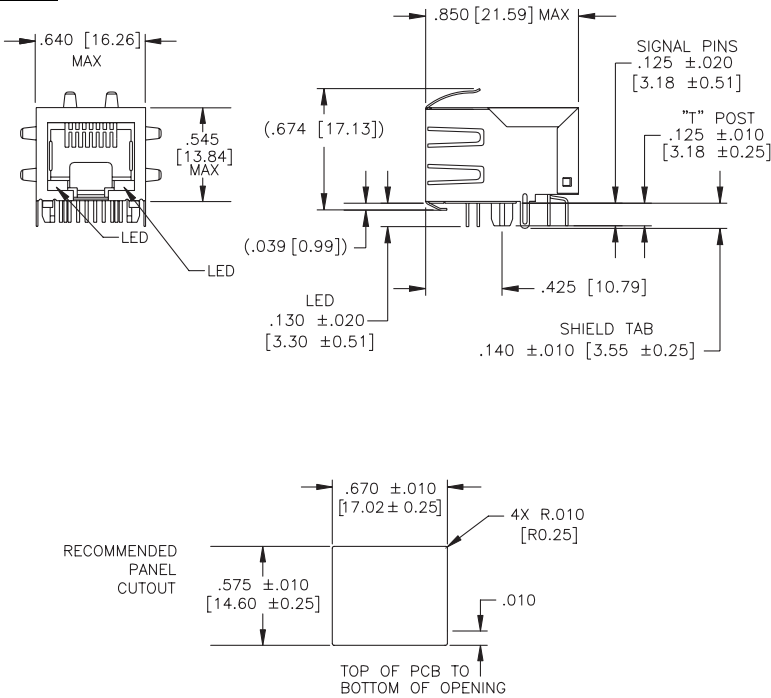
### J0 Series Mechanicals

**A**



SUGGESTED PC BOARD LAYOUT VIEWED FROM COMPONENT SIDE  
PCB LAYOUT DIMENSIONS TO BE ±.002 UNLESS OTHERWISE SPECIFIED  
SCALE: 4/1

**B**



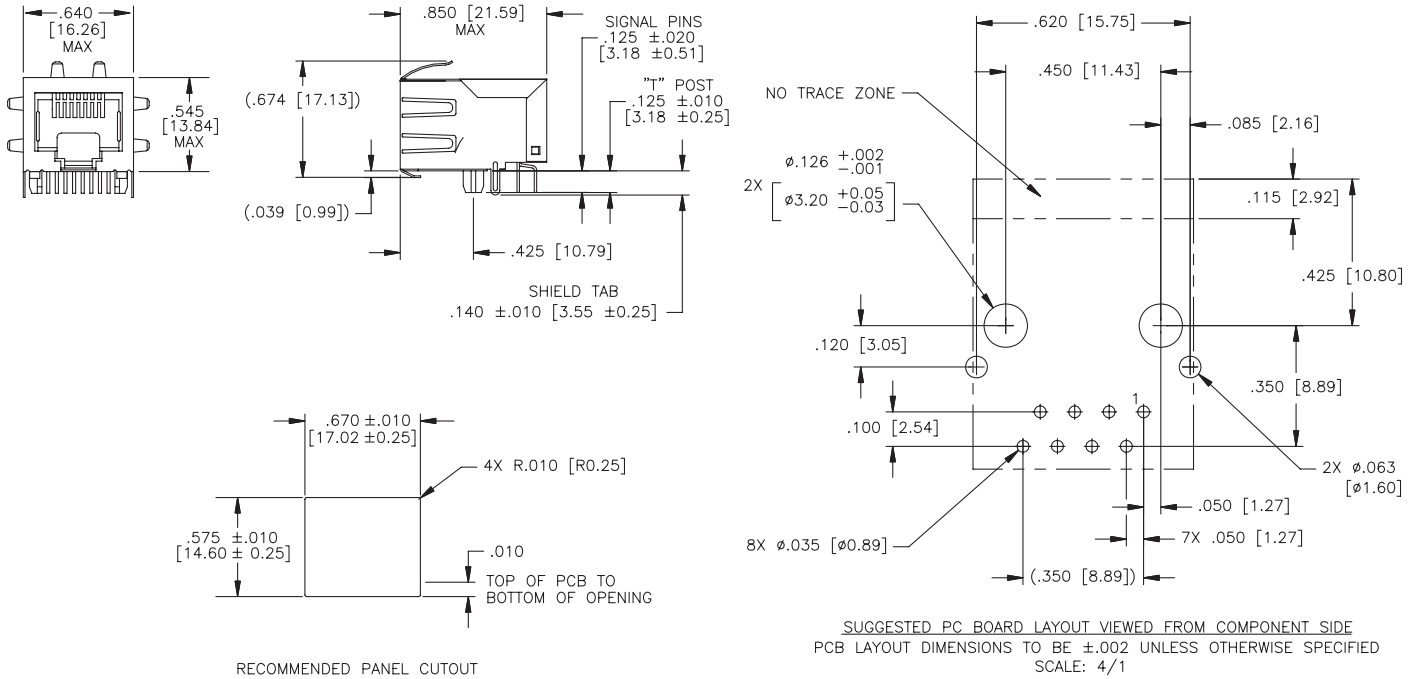
SUGGESTED PC BOARD LAYOUT VIEWED FROM COMPONENT SIDE  
PCB LAYOUT DIMENSIONS TO BE ±.002 UNLESS OTHERWISE SPECIFIED  
SCALE: 4/1

Dimensions:  $\frac{\text{Inches}}{\text{mm}}$   
Unless otherwise specified,  
all tolerances are  $\pm \frac{.010}{.25}$

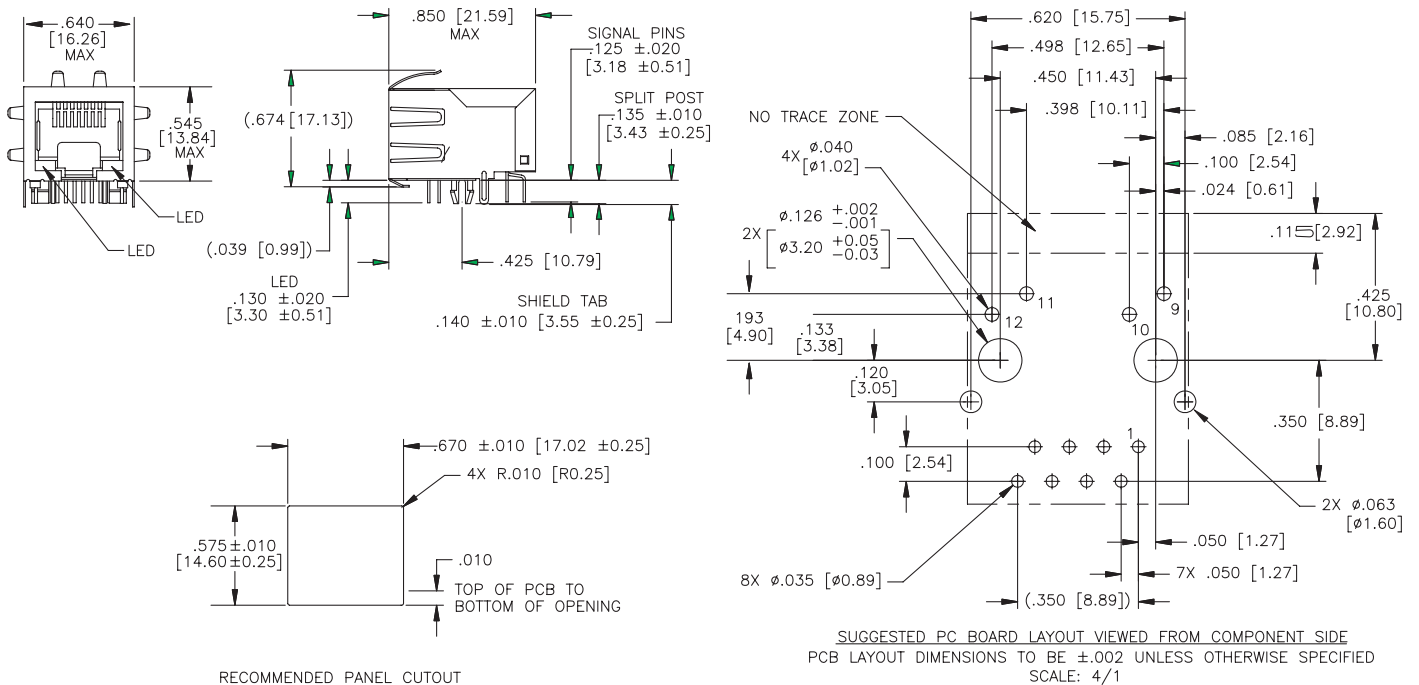


### J0 Series Mechanicals

**E**



**F**

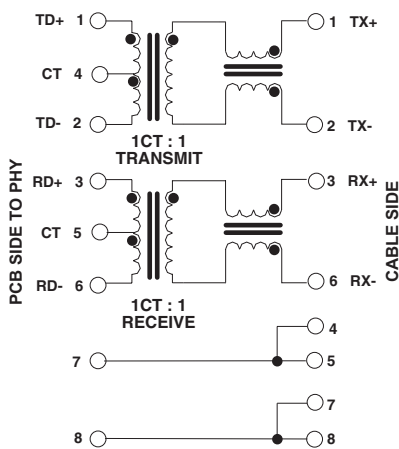


Dimensions:  $\frac{\text{Inches}}{\text{mm}}$   
Unless otherwise specified,  
all tolerances are ±  $\frac{.010}{0.25}$

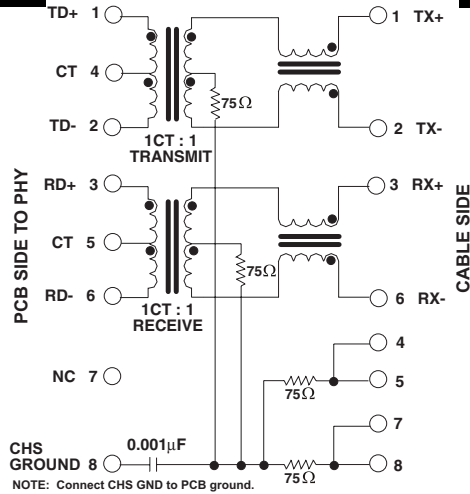


### J0 Series Electrical Schematics

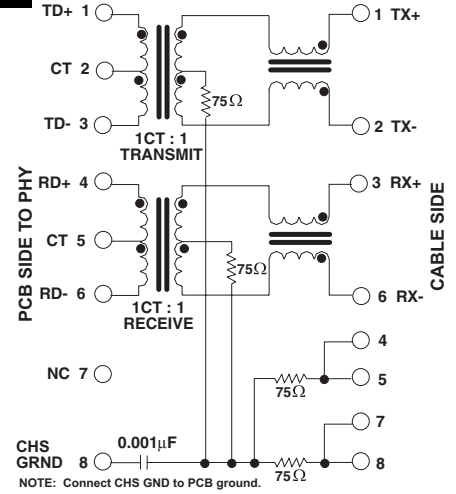
**J0006**



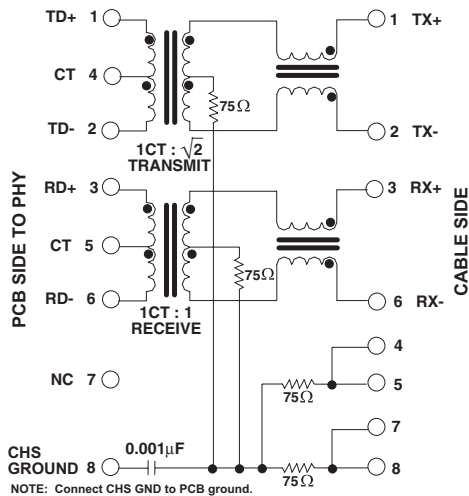
**J0011**



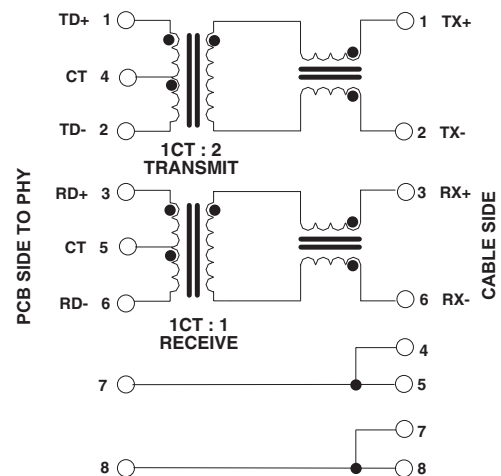
**J0012**



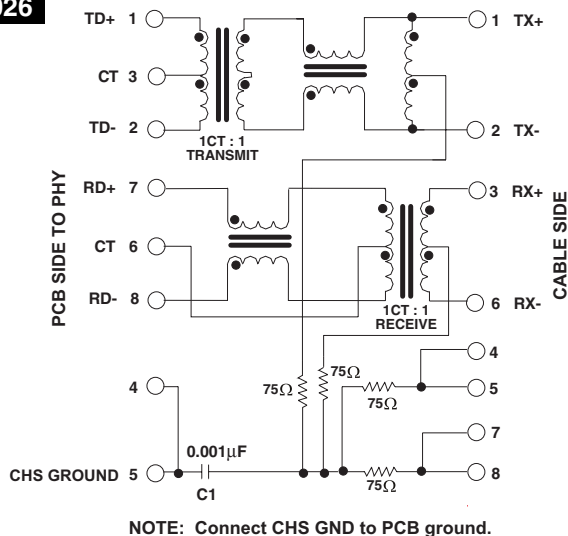
**J0018**



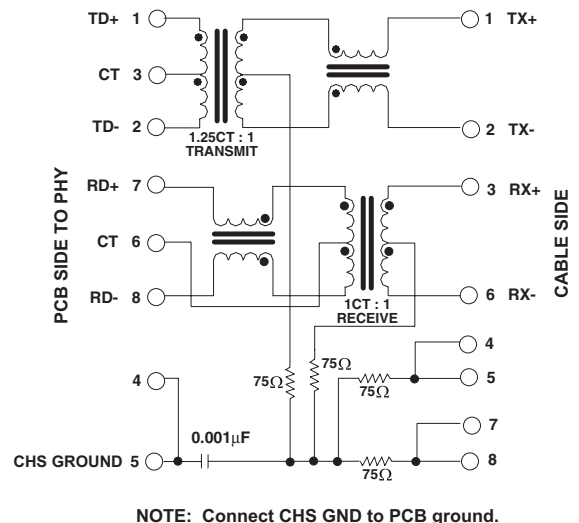
**J0024**



**J0026**

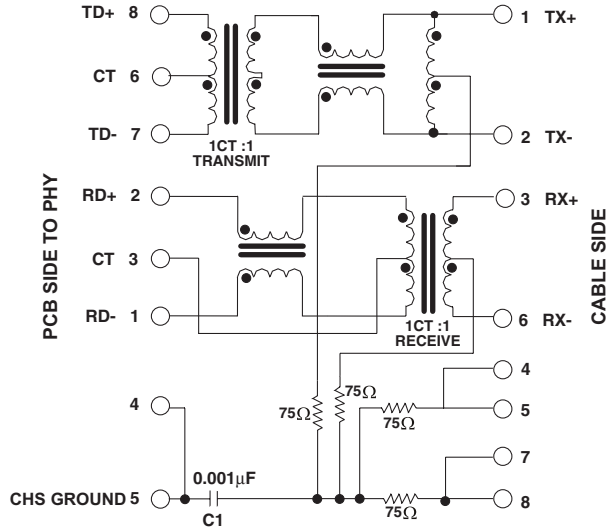


**J0033**



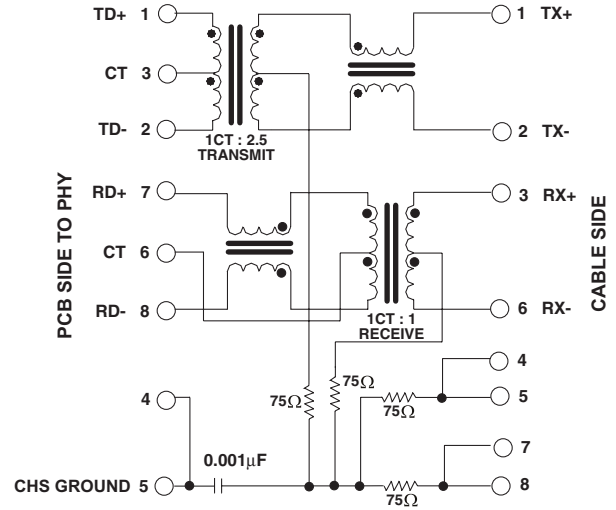
### J0 Series Electrical Schematics (continued)

**J0035**



NOTE: Connect CHS GND to PCB ground.

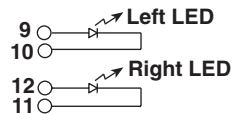
**J0073**



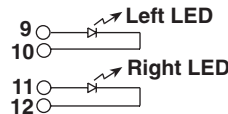
NOTE: Connect CHS GND to PCB ground.

### LED Configuration

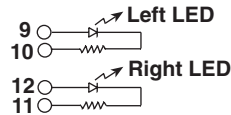
**LED = "B & E" Specification**  
(LEDs without internal resistors)



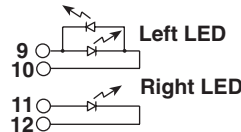
**LED = "M" Specification**  
(LEDs without internal resistors)



**LED = "F" Specification**  
(LEDs with internal resistors)



**LED = "G" Specification**  
(Bi-color LED option with internal resistors)



| Standard LED | Wavelength | Forward* V(MAX) | (TYP) |
|--------------|------------|-----------------|-------|
| Yellow       | 585 nm     | 2.5 V           | 2.1 V |
| Green        | 565 nm     | 2.5 V           | 2.2 V |

\* Using an internal resistor within the LED increases the voltage rating of the diode from 2.5 V to 5.0 V (assumes bias current = 20 mA).

### For More Information:

**Pulse Worldwide Headquarters**

12220 World Trade Drive  
San Diego, CA 92128  
U.S.A.

[www.pulseeng.com](http://www.pulseeng.com)  
TEL: 858 674 8100  
FAX: 858 674 8262

**Pulse Northern Europe**

3 Huxley Road  
Surrey Research Park  
Guildford, Surrey GU2 5RE  
United Kingdom

TEL: 44 1483 401700  
FAX: 44 1483 401701

**Pulse Southern Europe**

Zone Industrielle  
F-39270  
Orgelet  
France

TEL: 33 3 84 35 04 04  
FAX: 33 3 84 25 46 41

**Pulse China Headquarters**

No. 1  
Industrial District  
Changan, Dongguan  
China

TEL: 86 769 85538070  
FAX: 86 769 85538870

**Pulse North China**

Room 1503  
XinYin Building  
No. 888 YiShan Road  
Shanghai 200233  
China

TEL: 86 21 54643211/2  
FAX: 86 21 54643210

**Pulse South Asia**

150 Kampong Ampat  
#07-01/02  
KA Centre  
Singapore 368324

TEL: 65 6287 8998  
FAX: 65 6280 0080

**Pulse North Asia**

No. 26  
Kao Ching Road  
Yang Mei Chen  
Taoyuan Hsien  
Taiwan, R. O. C.

TEL: 886 3 4641811  
FAX: 886 3 4641911

Performance warranty of products offered on this data sheet is limited to the parameters specified. Data is subject to change without notice. Other brand and product names mentioned herein may be trademarks or registered trademarks of their respective owners.

© Copyright, 2006. Pulse Engineering, Inc. All rights reserved.