



# LEGERITY SPLITTER INDUCTORS



-  For use with Legerity SLIC Chipsets
-  Excellent Longitudinal Balance

## Electrical Specifications @ 25°C — Operating Temperature -40°C to +85°C

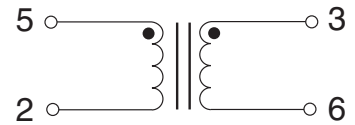
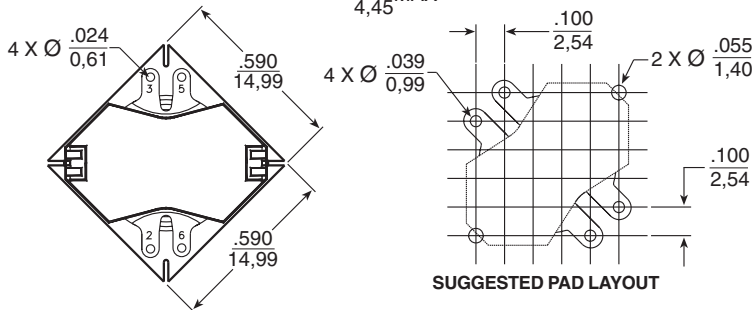
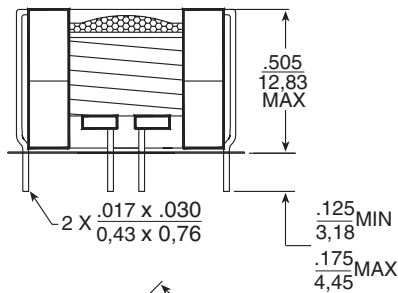
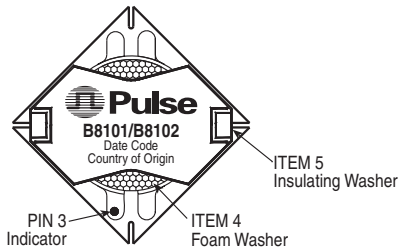
Part Number	Inductance (2-5) (mH) 20 kHz, 0.1 Vac 0 mAdc TYP	DC Resistance (each winding) (W MAX)	Isolation Voltage (between windings) (Vac)	Mounting
B8101	7.0	11.0	1000	THT
B8102	9.35	13.6	1000	THT
B8103	4.0 (Note 1)	10.0	1000	SMT
B8104	9.35	32.0	1000	THT
B8106	7.0	14.1	1000	THT
B8107	9.35	26.0	1000	THT
B8176	4.0	10.0	1000	THT
BX8266L	32 (Note 2)	15	600 (Note 3)	SMT
BX8267L	16 (Note 2)	15	600 (Note 3)	SMT

Notes: 1.) pins 2-6 (applies to B8103) 2.) pins 1-5 with pins 4 & 8 shorted @ 0 mA (applies to BX8266L and BX8267L) 3.) AC applied for 1 second

## Mechanicals

## Schematic

### B8101/B8102



Weight .....7.5 grams  
Tray .....100/tray

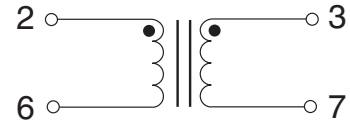
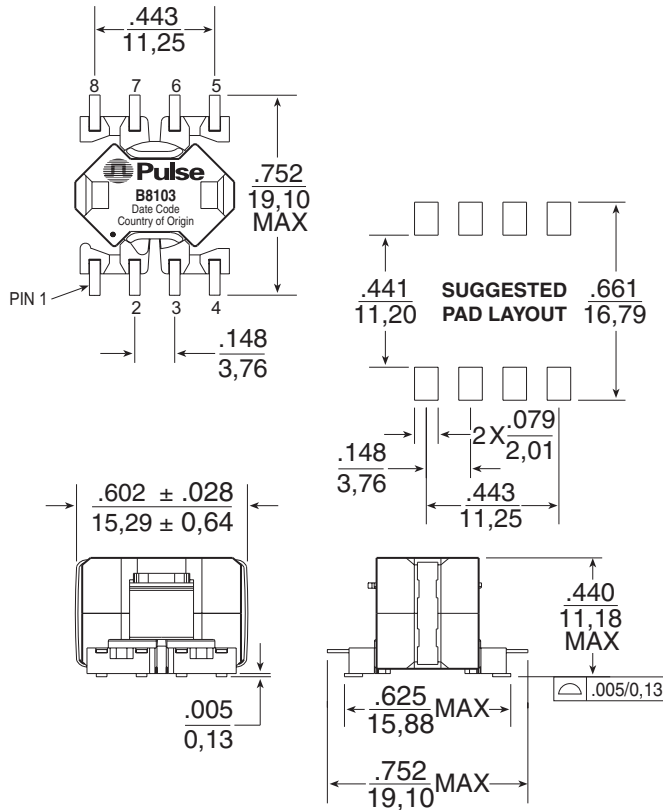
Dimensions: Inches  
mm  
Unless otherwise specified,  
all tolerances are ±  $\frac{.010}{0,25}$

# LEGERITY SPLITTER INDUCTORS

## Mechanicals

## Schematics

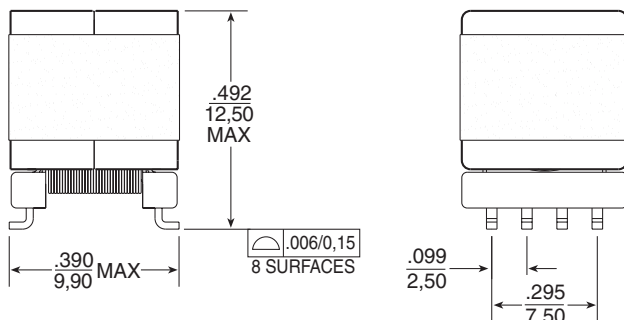
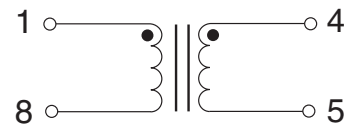
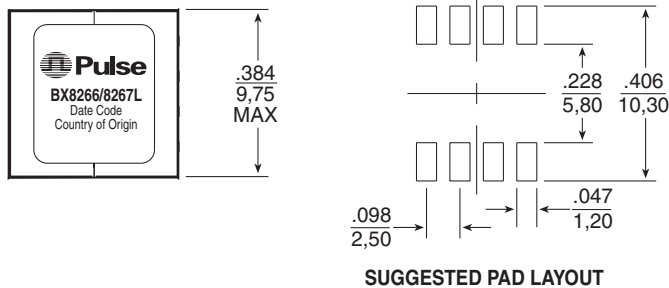
### B8103



Weight ..... .25 grams  
Tray ..... .60/tray

Dimensions:  $\frac{\text{Inches}}{\text{mm}}$   
Unless otherwise specified,  
all tolerances are  $\pm \frac{.010}{0,25}$

### BX8266L/BX8267L



Weight ..... .3.4 grams  
Tray ..... .90/tray  
T&R Qty ..... .175

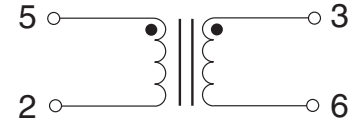
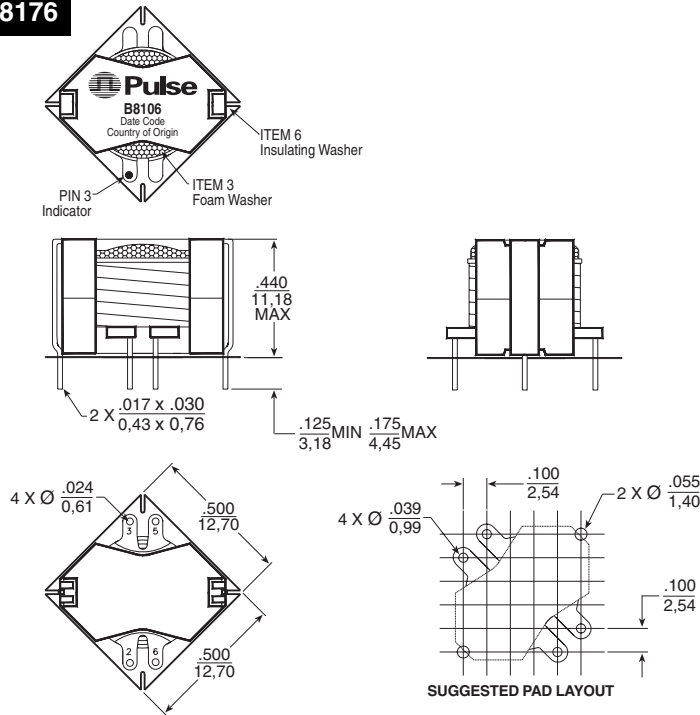
Dimensions:  $\frac{\text{Inches}}{\text{mm}}$   
Unless otherwise specified,  
all tolerances are  $\pm \frac{.010}{0,25}$

# LEGERITY SPLITTER INDUCTORS

## Mechanicals

## Schematics

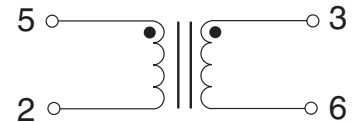
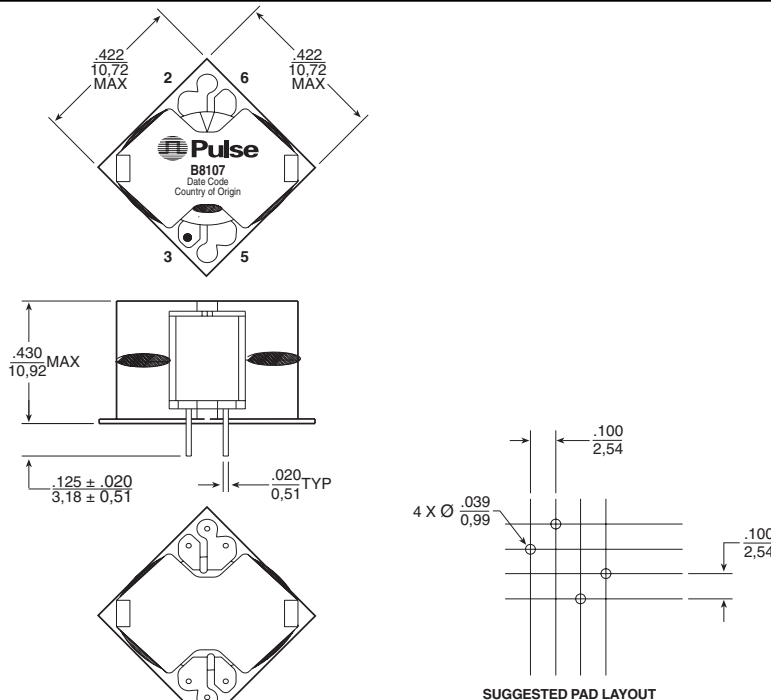
### B8106/B8104/B8176



Weight ..... 2.5 grams  
Tray ..... .80/tray

Dimensions:  $\frac{\text{Inches}}{\text{mm}}$   
Unless otherwise specified,  
all tolerances are  $\pm \frac{.010}{0.25}$

### B8107



Weight ..... 3.0 grams  
Tray ..... .75/tray

Dimensions:  $\frac{\text{Inches}}{\text{mm}}$   
Unless otherwise specified,  
all tolerances are  $\pm \frac{.010}{0.25}$

## For More Information :

### UNITED STATES (Worldwide)

12220 World Trade Drive  
San Diego, CA 92128  
U.S.A.  
<http://www.pulseeng.com>  
TEL: 858 674 8100  
FAX: 858 674 8262

### UNITED KINGDOM (Northern Europe)

3 Huxley Road  
Surrey Research Park  
Guildford, Surrey GU2 5RE  
United Kingdom  
TEL: 44 1483 401700  
FAX: 44 1483 401701

### FRANCE (Southern Europe)

Zone Industrielle  
F-39270  
Orgelet  
France  
TEL: 33 3 84 35 04 04  
FAX: 33 3 84 25 46 41

### SINGAPORE (Southern Asia)

150 Kampong Ampat  
#07-01/02  
KA Centre  
Singapore 368324  
TEL: 65 6287 8998  
FAX: 65 6280 0080

### TAIWAN, R.O.C. (Northern Asia)

3F-4, No. 81, Sec. 1  
HsinTai Wu Road  
Hsi-Chih, Taipei Hsien  
Taiwan, R.O.C.  
Tel: 886 2 2698 0228  
FAX: 886 2 2698 0948

### HONG KONG (China/Hong Kong)

Unit 11, 11/F  
Wah Lai Industrial Centre  
10-14 Kwei Tei Street,  
Fotan, Shatin, Hong Kong  
Tel: 852 2788 6588  
FAX: 852 2776 1055

### DISTRIBUTOR

Performance warranty of products offered on this data sheet is limited to the parameters specified. Data is subject to change without notice. Other brand and product names mentioned herein may be trademarks or registered trademarks of their respective owners.  
©2005, Pulse Engineering, Inc. All Rights Reserved.