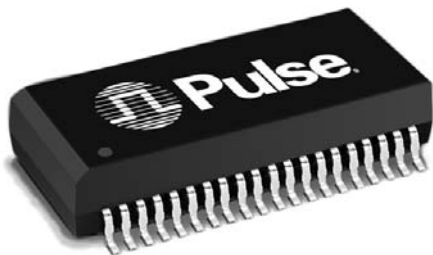


10/100BASE-TX QUAD-PORT TRANSFORMER MODULES

Military / Aerospace Grade



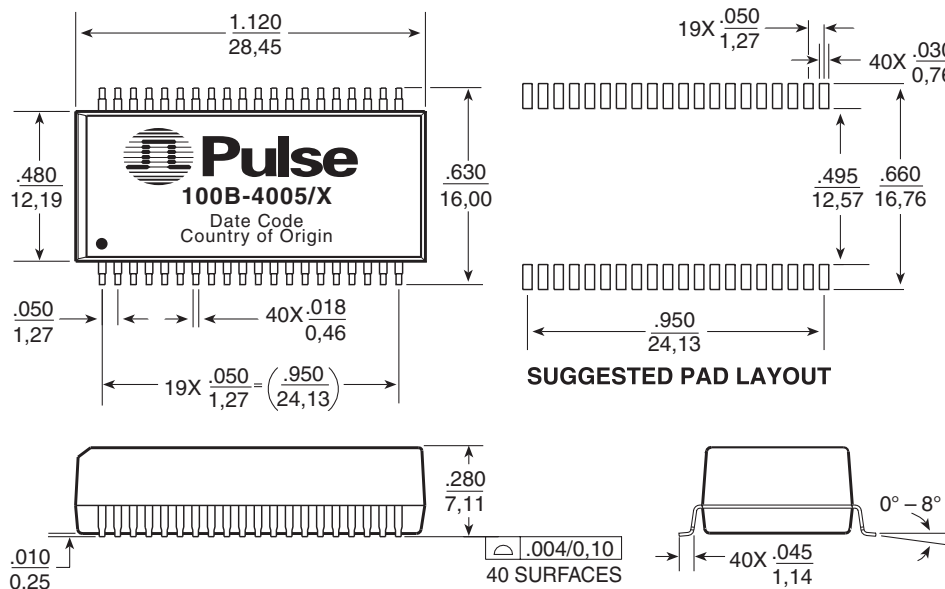
- Compliant with IEEE 802.3u and ANSI X3.263 standards
- 350μH OCL with 8mA bias
- Operating and storage temperature:
100B-4005: -40°C to +85°C
100B-4005X: -55°C to +125°C
- IC grade transfer-molded package withstands 235°C peak temperature profile

Electrical Specifications @ 25°C

Part Number	Insertion Loss (dB MIN)	Return Loss (dB MAX)					Crosstalk (dB MAX)				DM to CM Rejection Ratio (dB MAX)		
		0.1-100 MHz	2-30 MHz	50 MHz	60 MHz	80 MHz	16 MHz	30 MHz	60 MHz	80 MHz	0.1-30 MHz	30-60 MHz	60-100 MHz
100B-4005	-1.00	-18	-14	-12	-12	-54	-50	-46	-44	TX: -49 RX: -52	TX: -44 RX: -49	TX: -40 RX: -42	
100B-4005X	-1.20	-18	-14	-12	-10	-48	-42	-38	-33	TX: -45 RX: -45	TX: -40 RX: -40	TX: -38 RX: -35	

Mechanical

100B-4005/X



Weight4.0 grams TYP
Tape and Reel250/reel
Tray15/tray

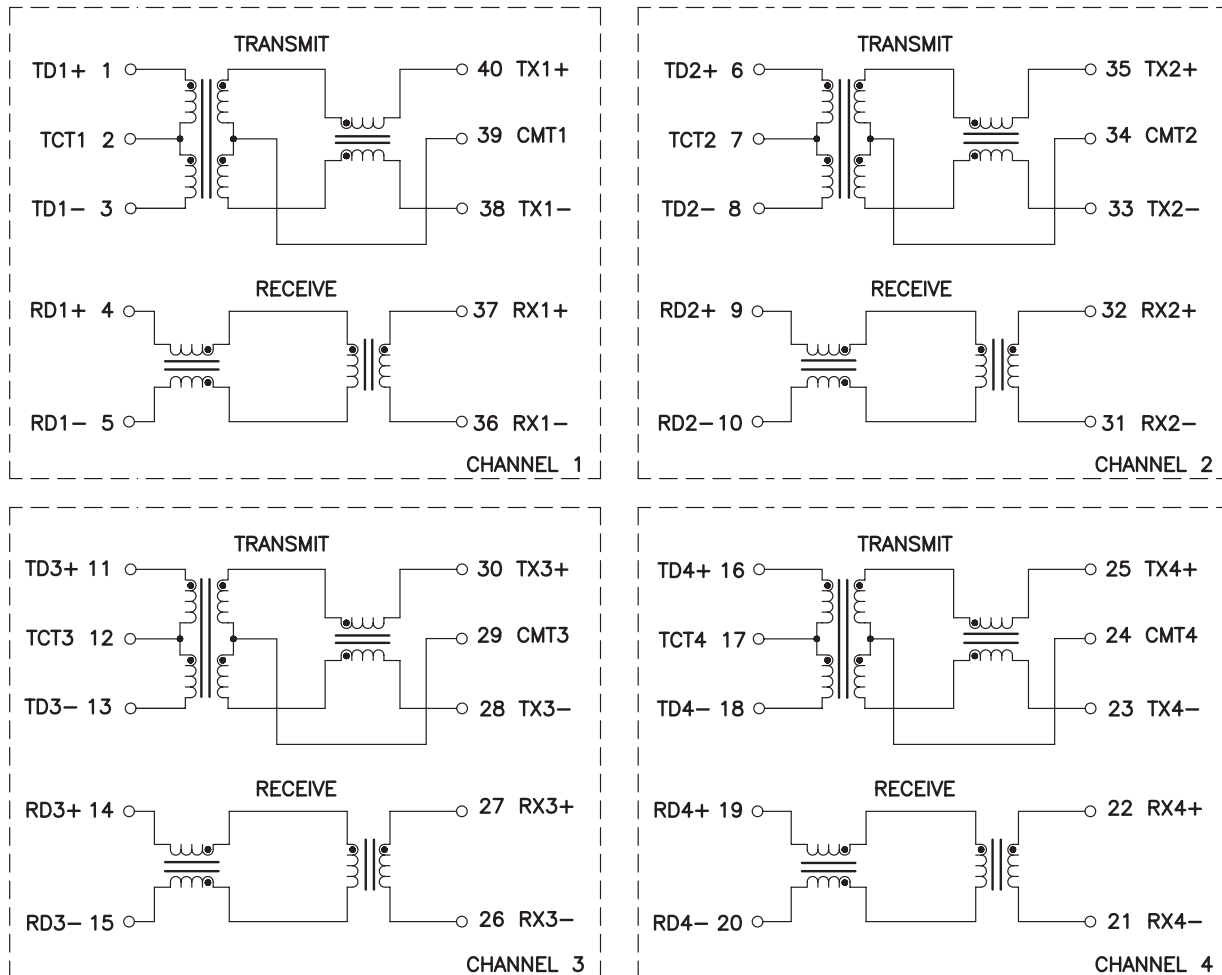
Dimensions: $\frac{\text{Inches}}{\text{mm}}$
Unless otherwise specified, all tolerances are $\pm \frac{.010}{0,25}$

10/100BASE-TX QUAD-PORT TRANSFORMER MODULES

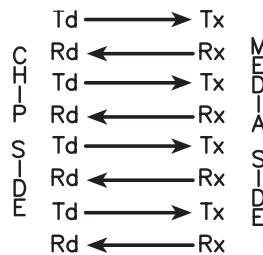
Military / Aerospace Grade



Schematics



LEGEND



ALL CHANNELS IN PHASE INPUT TO OUTPUT

For More Information :

UNITED STATES (Worldwide)	UNITED KINGDOM (Northern Europe)	FRANCE (Southern Europe)	SINGAPORE (Southern Asia)	TAIWAN, R.O.C. (Northern Asia)	HONG KONG (China/Hong Kong)	DISTRIBUTOR
12220 World Trade Drive San Diego, CA 92128 U.S.A. http://www.pulseeng.com TEL: 858 674 8100 FAX: 858 674 8262	1 & 2 Huxley Road The Surrey Research Park Guildford, Surrey GU2 5RE United Kingdom TEL: 44 1483 401700 FAX: 44 1483 401701	Zone Industrielle F-39270 Orgelet France TEL: 33 3 84 35 04 04 FAX: 33 3 84 25 46 41	150 Kampong Ampat #07-01/02 KA Centre Singapore 368324 TEL: 65 6287 8998 FAX: 65 6280 0080	3F-4, No. 81, Sec. 1 HsinTai Wu Road Hsi-Chih, Taipei Hsien Taiwan, R.O.C. Tel: 886 2 2698 0228 FAX: 886 2 2698 0948	9/F, Phase 2, Tai Sang Shatin Warehouse Centre 6 Wong Chuk Yeung Street Fotan, Shatin, Hong Kong TEL: 852 2788 6588 FAX: 852 2776 1055	

Performance warranty of products offered on this data sheet is limited to the parameters specified. Data is subject to change without notice. Other brand and product names mentioned herein may be trademarks or registered trademarks of their respective owners.