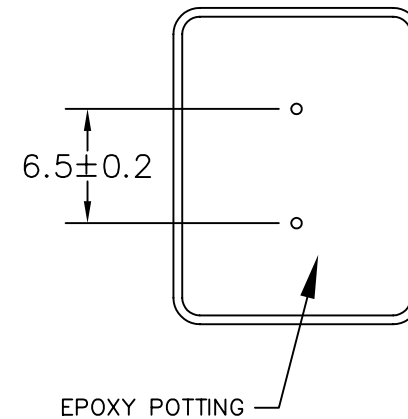
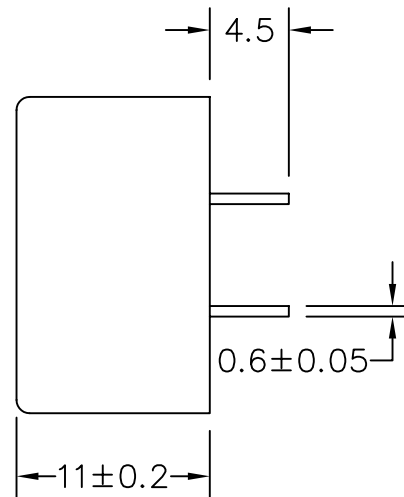
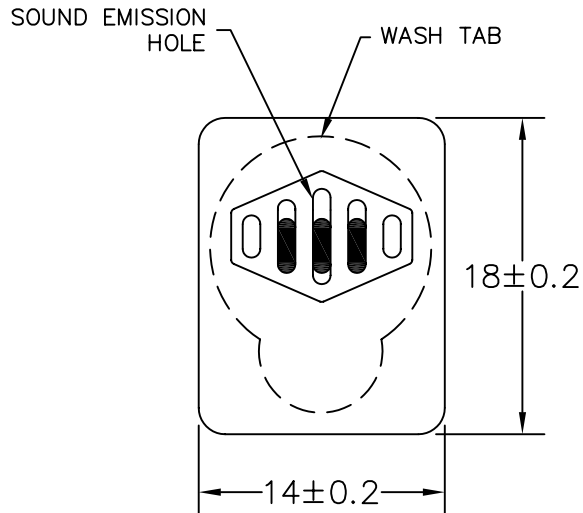


THIS DOCUMENT CONTAINS DATA PROPRIETARY TO PROJECTS UNLIMITED, INC. ANY USE OR REPRODUCTION, IN ANY FORM, WITHOUT PRIOR WRITTEN PERMISSION OF PROJECTS UNLIMITED, INC. IS PROHIBITED.  
© 2005, Projects Unlimited Inc.

### SPECIFICATIONS

PARAMETERS	VALUES	UNITS
RATED VOLTAGE (SQUARE WAVE)	1.5	Vp-p
OPERATING VOLTAGE RANGE	1 ~ 2	Vp-p
RATED CURRENT (MAX)	40	mA
COIL RESISTANCE	16±4	OHM
MINIMUM SPL @ 10 CM	85	dBa
RESONANT FREQUENCY	2048±500	Hz
OPERATING TEMPERATURE	-20 ~ +80	°C
STORAGE TEMPERATURE	-30 ~ +85	°C
HOUSING MATERIAL	NORYL	-
TERMINAL MATERIAL	Sn PLATED COPPER	-
WEIGHT	7	grams


REVISIONS			
LTR	DESCRIPTION	DATE	APPROVED
-	RELEASED FROM ENGINEERING	3/21/06	



#### NOTES:

1. ALL DIMENSIONS ARE IN MILLIMETERS.
2. SPECIFICATION SUBJECT TO CHANGE OR WITHDRAWAL WITHOUT NOTICE.
3. THIS PART IS RoHS 2002/95/EC COMPLIANT

FILE NAME  
AT-1820-TWT-1V-R.DWG

UNLESS OTHERWISE SPECIFIED: DIMENSIONS ARE IN MILLIMETERS, TOLERANCES ARE ±0.5 AND ANGLES ARE ±3°.		 <b>projects® unlimited</b> Dayton, Ohio									
<table border="1"> <thead> <tr> <th>APPROVALS</th> <th>DATE</th> </tr> </thead> <tbody> <tr> <td>DRAWN <i>TG</i></td> <td>3/06</td> </tr> <tr> <td>CHECKED <i>BR</i></td> <td>3/06</td> </tr> <tr> <td>APPROVED <i>EP</i></td> <td>3/06</td> </tr> </tbody> </table>		APPROVALS	DATE	DRAWN <i>TG</i>	3/06	CHECKED <i>BR</i>	3/06	APPROVED <i>EP</i>	3/06	<b>TRANSDUCER (ELECTRO-MECH)</b>	
APPROVALS	DATE										
DRAWN <i>TG</i>	3/06										
CHECKED <i>BR</i>	3/06										
APPROVED <i>EP</i>	3/06										
SIZE A	DRAWING NO. AT-1820-TWT-1V-R										
DO NOT SCALE DRAWING		SCALE: N.T.S.	SHEET 1 OF 1								