



Technical data // P65SMT 1 03 TR

Rotary Code Switch

SMT Gull Wing Surface Mount Technology



Highlights

Solid PCB pins

Contacts with abrasion resistant hard gold plating

ESD-protection on request

100 % electronic inspection and testing

Mechanical Data

Type	horizontal
Fixation mode	SMT
Height	6.8 mm
Length	10.0 mm
Width	10.0 mm
Pin connection	3+3
Perm. ambient temperature	-60 °C ... +125 °C
Perm. storage temperature	-65 °C ... +135 °C
Torque	(typically) 1.3 Ncm
Mechanical lifetime	30.000 steps
Reflow soldering	10 s / 260 °C
Iron soldering	2 s / 340 °C
Sinus-vibration testing	acc. EN 60068-2-6
Frequency range	10 Hz ... 500 Hz ... 10 Hz, sliding
Amplitude	6.0 mm
Acceleration	10.0 g
Shock testing	acc. EN 60068-2-27
Shock acceleration amplitude	50.0 g
Duration of nominal shock	11.0 ms
Directions	6 (±x, ±y, ±z) 3 times each

Electrical Data

Operating voltage	<= 42.0 V
Contact load, static	<= 0.2 A
Contact load, dynamic	<= 0.1 A
Minimum load	1.0 µA 20mVDC
Test voltage	250.0 V 50 Hz / 1.0 min
Contact resistance	< 80.0 mOhm
Insulation resistance	> 100.0 MOhm



PTR HARTMANN

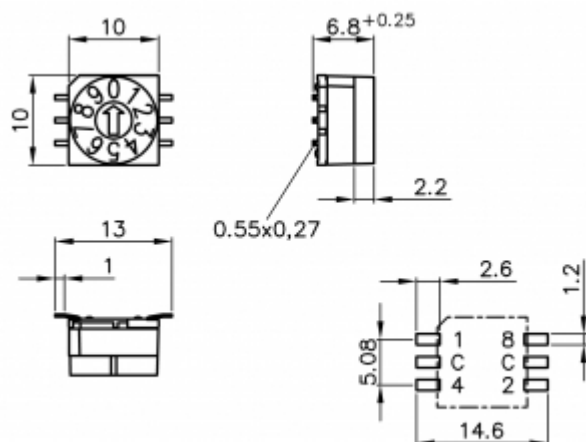
A Phoenix Mecano Company

Technical data // P65SMT 1 03 TR

Rotary Code Switch

SMT Gull Wing Surface Mount Technology

Technical Drawing



Configuration

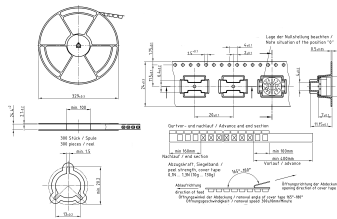
Actuators



Arrow-shaped slot

Hexadezimal Typ 03					
	C	1	2	4	8
0	●				0
1	●	●			●
2	●		●		2
3	●	●	●		●
4	●			●	4
5	●	●		●	●
6	●		●	●	6
7	●	●	●	●	●
8	●				● 8
9	●	●		●	●
10	●		●		● A
11	●	●	●		●
12	●			●	● C
13	●	●		●	●
14	●		●	●	● E
15	●	●	●	●	●

Hexadecimal, 16



Tape on Reel Packing for actuator 1 & 7