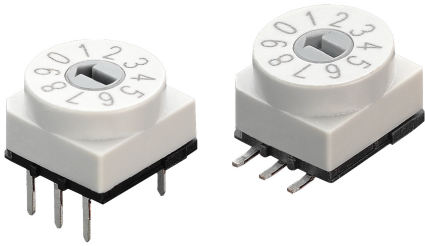


P65 series

Rotary code switches

Through-hole or surface mount



- Designed for higher temperature applications
- Solid PCB pins
- Highly reliable
- Abrasion resistant gold-plated contacts

P65	[]	[]	[]	[]	[]
SERIES	Mounting	Actuators	Codes	Optional Terminals	Packaging
	THR Through-hole SMT Gull wing surface mount	1 Arrow-shaped slot 7 Cross-shaped slot (accessories)	01 BCD 02 BCD complement 03 Hexadecimal 06 Hexadecimal complement * Other codes available upon request	V* Crimped L254* Right angle *THR versions only	(blank) Tube TR Tape & Reel

ELECTRICAL SPECIFICATIONS

- Operating voltage: 42 VDC max.
- Contact load, static: 200mA max.
- Contact load, dynamic: 100mA max.
- Initial contact resistance: 80 mΩ max.
- Insulation resistance: 100 MΩ min.

MECHANICAL AND THERMAL SPECS

- Torque (typical): 1.3 Ncm
- Expected life : 30,000 cycles min.
- Operating temperature:
-60°C to +125°C (-76°F to +257°F)
- Positions: 4, 6, 10, 16

MATERIALS

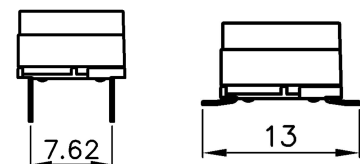
- Base: UL94-V0, high temperature thermoplastic, black
- Cover: UL94-V0, high temperature thermoplastic
- Actuator: PA46 nylon
- Spring: Stainless steel
- Contacts: Gold over nickel-plated copper alloy
- Terminals: Tin plated

SOLDER RECOMMENDATIONS

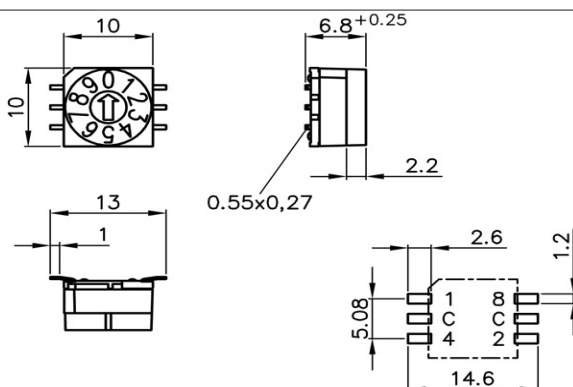
- Reflow soldering: 260°C max. for 10 seconds max.
- Wave soldering: 280°C max. for 5 seconds max.
- Hand soldering: 340°C max. for 2 seconds max.

PACKAGING

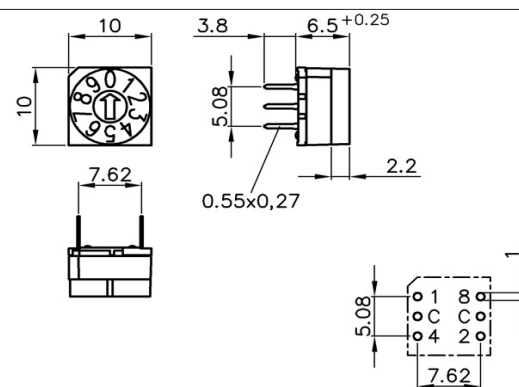
- Switches: Tubes of 50 pieces or reels of 300 pieces
- Accessories : bags of 50 pieces



DIMENSIONS (SURFACE MOUNT)



DIMENSIONS (THROUGH-HOLE)



Dimensions are in mm/(inches).

www.apem.com

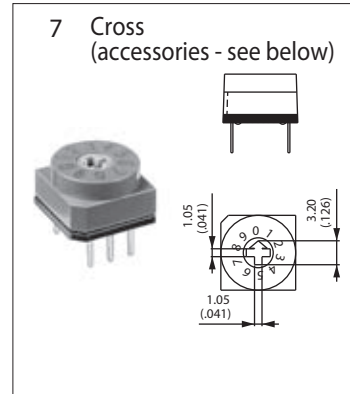
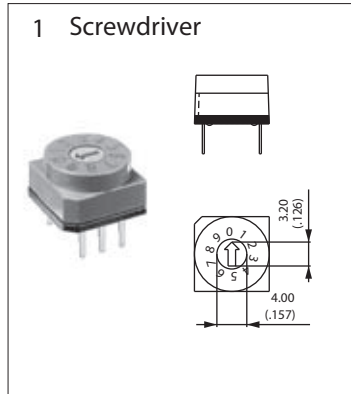
APEM

P65 series

Rotary code switches

Through-hole or surface mount

ACTUATORS



CODES

01 BCD

	C	1	2	4	8	
0	•					0
1	•	•				1
2	•		•			2
3	•	•	•			3
4	•			•		4
5	•	•		•		5
6	•		•	•		6
7	•	•	•			7
8	•				•	8
9	•	•			•	9

02 BCD complement

	C	1	2	4	8	
0	•	•	•	•	•	0
1	•		•	•	•	1
2	•	•		•	•	2
3	•			•	•	3
4	•	•	•		•	4
5	•		•		•	5
6	•	•			•	6
7	•		•	•		7
8	•	•	•	•		8
9	•		•	•	•	9

03 Hexadecimal

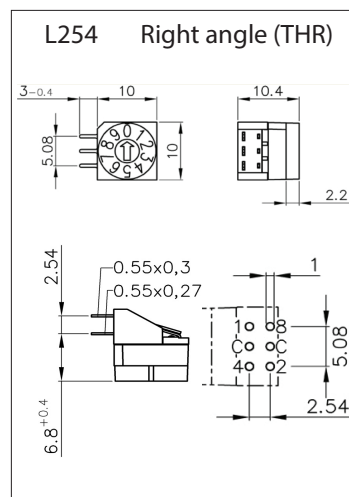
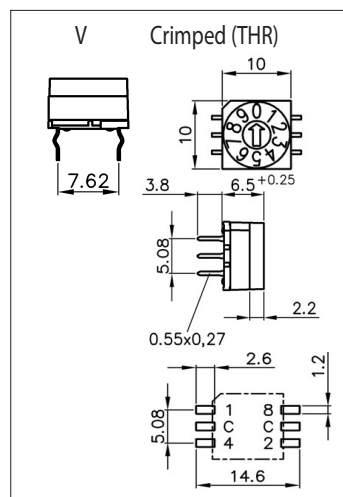
	C	1	2	4	8	
0	•					0
1	•	•				1
2	•		•			2
3	•	•	•			3
4	•			•		4
5	•	•		•		5
6	•		•	•		6
7	•	•	•	•		7
8	•				•	8
9	•	•			•	9
10	•		•		•	A
11	•	•	•		•	B
12	•			•	•	C
13	•	•		•	•	D
14	•		•	•	•	E
15	•	•	•	•	•	F

06 Hexadecimal complement

	C	1	2	4	8	
0	•	•	•	•	•	0
1	•		•	•	•	1
2	•	•		•	•	2
3	•			•	•	3
4	•	•	•		•	4
5	•		•		•	5
6	•	•			•	6
7	•		•	•		7
8	•	•	•	•		8
9	•		•	•	•	9
10	•	•		•	•	A
11	•	•	•		•	B
12	•	•	•	•		C
13	•		•		•	D
14	•	•			•	E
15	•	•	•	•	•	F

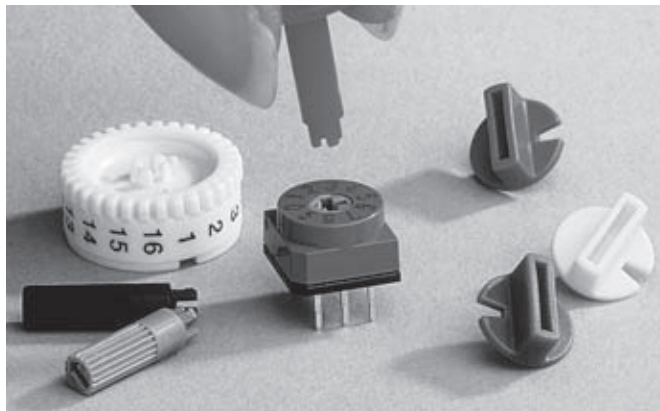
▲ Position ▲ Marking

OPTIONAL TERMINALS



P65 / PT65 series

Accessories



ACCESSORIES ADAPTED TO YOUR APPLICATIONS

Basic model P65 has been designed to accept different actuators with snap-in connection.

Depending on your application, you can choose between spindles or plastic knobs in two different lengths and a Ø 17mm (.669) knurled wheel for lateral marking.

Standard colors are shown below. Special colors are also available on request.

<p>SPINDLES</p> <p>Length 11.6 mm (standard)</p> <p>Length 13.3 mm</p>	<p>P/N</p> <p>U4822</p> <p>U4824</p> <p>U4832</p>	<p>COLORS</p> <p>black</p> <p>grey</p> <p>black</p>	
<p>PLASTIC KNOBS</p> <p>Length 5.3 mm (standard)</p> <p>Length 15.7 mm</p> <p>Length 4.4 mm</p>	<p>P/N</p> <p>U4906</p> <p>U4916</p> <p>U4941</p> <p>U4943</p> <p>U4944</p> <p>U4945</p> <p>U4946</p>	<p>COLORS</p> <p>red</p> <p>red</p> <p>blue</p> <p>green</p> <p>grey</p> <p>yellow</p> <p>red</p>	
<p>KNURLED WHEEL</p> <p>(unmarked - marking on request)</p>	<p>P/N</p> <p>U4847/1</p>	<p>COLOR</p> <p>white/black</p>	<p>→ Panel</p>

STANDARD PRODUCTS

MODELS CODES	FOR SCREWDRIVER		WITH SPINDLE	WITH SEGMENT WHEEL		FOR ACCESS.
	Upper actuation	Side actuation	Upper actuation	Upper actuation	Side actuation	Upper actuation
BCD	PT65101	PT65101L254 PT65101L508	PT65301	PT65501	-	PT65701
BCD complement	PT65102	-	-	PT65502	-	-
Hexadecimal	PT65103	PT65103L254 PT65103L508	PT65303	PT65503	PT65303L254	-
Hexadecimal complem.	PT65106	-	-	-	-	-