

**Technical data // P36SMJ 1 03 -**

Rotary Code Switch

SMT J-Hook Surface Mount Technology

**Highlights**

- Solid PCB pins
- Contacts with abrasion resistant hard gold plating
- Central C-contact
- Extra sealed design with high temperature resistance
- Switches are solder and flux sealed and washable
- 100 % electronic inspection and testing
- 90° turned zero position available

**Mechanical Data**

Type	horizontal
Fixation mode	SMJ
Height	3.9 mm
Length	7.4 mm
Width	7.4 mm
Pin connection	3+3
Perm. ambient temperature	-50 °C ... +125 °C
Perm. storage temperature	-55 °C ... +135 °C
Torque	1.2 ± 0.2 Ncm
Mechanical lifetime	25.000 steps
Positions per rotation	10 / 16 - more versions on request
Degree of protection	comparable IP67
Sealing	O-Ring
Humidity	21 days at 40 °C, 93 %RH
Reflow soldering	10 s / 260 °C
Iron soldering	4 s / 350 °C
Sinus-vibration testing	acc. IEC 68-2-6
Frequency range	10 Hz ... 500 Hz ... 10 Hz, sliding
Amplitude	6.0 mm
Acceleration	10.0 g
Shock testing	acc. IEC 68-2-27
Shock acceleration amplitude	50.0 g



Technical data

// P36SMJ 1 03 -

Rotary Code Switch

SMT J-Hook Surface Mount Technology

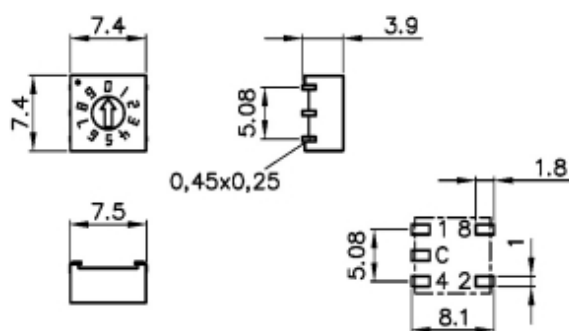
**Mechanical Data**

Duration of nominal shock	11.0 ms
Directions	6 ( $\pm x, \pm y, \pm z$ ) 3 times each

**Electrical Data**

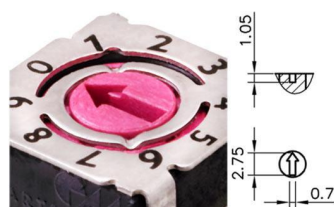
Operating voltage	$\leq 42.0$ V
Standby current	$\leq 0.4$ A
Contact load, dynamic	$\leq 0.1$ A
Minimum load	1.0 $\mu$ A 20mVDC
Test voltage	250.0 V 50 Hz / 1.0 min
Contact resistance	$< 80.0$ mOhm
Insulation resistance	$> 100.0$ MOhm

Technical Drawing



Configuration

Actuators



Arrow-shaped slot



Technical data

// P36SMJ 1 03 -

Rotary Code Switch

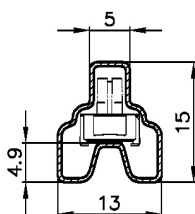
SMT J-Hook Surface Mount Technology

Codes

Hexadezimal Typ 03						
	C	1	2	4	8	
0	●					0
1	●	●				●
2	●		●			2
3	●	●	●			●
4	●			●		4
5	●	●		●		●
6	●		●	●		6
7	●	●	●	●		●
8	●				●	8
9	●	●			●	●
10	●		●		●	A
11	●	●	●		●	●
12	●			●	●	C
13	●	●		●	●	●
14	●		●	●	●	E
15	●	●	●	●	●	●

Hexadecimal, 16

Packing



Tube