



Technical data // **P25SMT 1 01 TR**

Rotary Code Switch

SMT Gull Wing Surface Mount Technology



Highlights

- 2.5 mm height
- 7.0 mm length
- Lateral C-contact
- Contacts with abrasion resistant hard gold plating
- Solid, tinned PCB pins

Mechanical Data

Type	horizontal
Fixation mode	SMT
Height	2.5 mm
Length	6.0 mm
Width	7.0 mm
Pin connection	3+3
Perm. ambient temperature	-50 °C ... +125 °C
Perm. storage temperature	-55 °C ... +135 °C
Torque	initial min. 0.7 Ncm
Mechanical lifetime	2.500 steps
Positions per rotation	10 / 16
Shock and vibration testing	acc. IEC 60068
Humidity	21 days at 40 °C, 93 %RH
Reflow soldering	JDEC J-STD-020 E
Iron soldering	2 s / 340 °C

Electrical Data

Operating voltage	≤ 42.0 V
Standby current	≤ 0.4 A
Contact load, dynamic	≤ 0.1 A
Minimum load	1.0 μ A 20mVDC
Test voltage	250.0 V 50 Hz / 1.0 min
Contact resistance	< 80.0 mOhm
Insulation resistance	> 100.0 MOhm



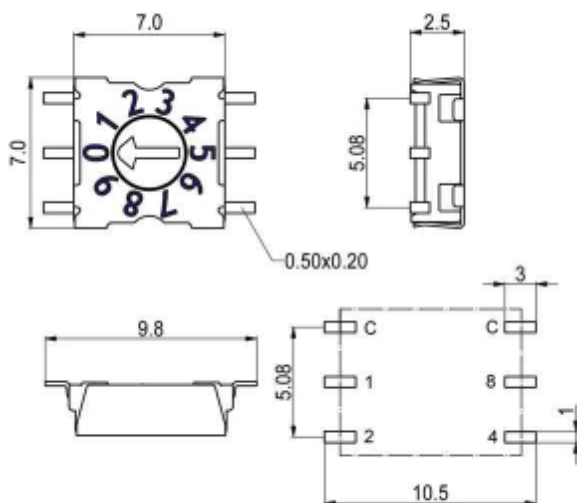
Technical data

// P25SMT 1 01 TR

Rotary Code Switch

SMT Gull Wing Surface Mount Technology

Technical Drawing



Configuration

Actuators



Arrow-shaped slot



Technical data

// P25SMT 1 01 TR

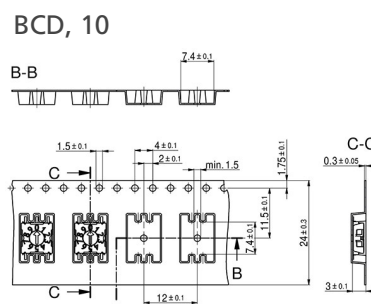
Rotary Code Switch

SMT Gull Wing Surface Mount Technology

Codes

BCD Typ 01					
	C	1	2	4	8
0	●				0
1	●	●			1
2	●		●		2
3	●	●	●		3
4	●			●	4
5	●	●		●	5
6	●		●	●	6
7	●	●	●	●	7
8	●				●
9	●	●			●

Packing



Tape on Reel Packing