



Technical data // **D12AS- 04 1 L1 T TR**

DIP-switches

Single Pole Single Throw SMT



Highlights

- 2.54 mm pitch
- 3.7 mm height
- Gold plated contacts
- Delivery in ON- or OFF-position available
- Raised or low actuators available
- Available with tape for automated assembly
- Reflow soldering

Mechanical Data

Fixation mode	SMT
Type	horizontal
Switching positions	2
Pitch of solderpins	2.54 mm
Switching mode	Contact wiping on make and break
Contact form	SPST
Mechanical lifetime	2.000 operations
Operating force	8.0 N
Operating temperature	-40 °C ... +85 °C
Storage temperature	-40 °C ... +85 °C
Humidity	95 %RH, 40 °C, 96 h
Vibration	10 Hz - 55 Hz, 6 h
Reflow soldering	JDEC J-STD-020 E

Electrical Data

Switching voltage	24.0 V
Operating current max.	25.0 mA
Standby current	100.0 mA
Test voltage	500.0 VDC min. / 60.0 s
Contact resistance after life test	100.0 mOhm
Capacity between adjacent switches	1.5 pF max.



Technical data

// D12AS- 04 1 L1 T TR

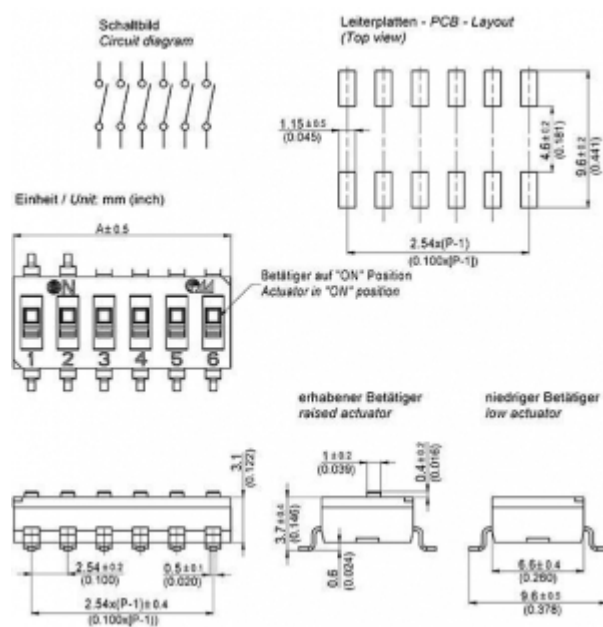
DIP-switches

Single Pole Single Throw SMT

Material

Housing	UL 94V-0
Solder pins	tin plated
Contact plating	gold plated

Technical Drawing



Configuration

Number of poles	4 (A=10.12 mm)
Contact surface	gold plated 3.0 μ"
Actuator	low, Pos. "OFF"
Tape	with tape (overhanging, for low actuator only)
Packing	Tape & Reel packing