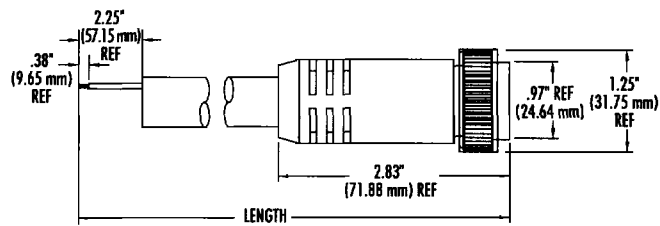


Mini-Change® 9/10/12 Pole Plugs and Cable Assemblies

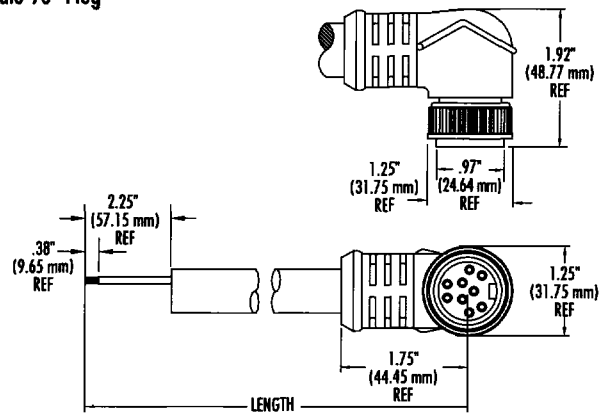
Product Specifications

<p>MECHANICAL</p> <p>MOLDED BODY MATERIAL: PVC, FLAMMABILITY RATING FT2</p> <p>CONTACT MATERIAL: BRASS</p> <p>CONTACT PLATING: GOLD - 5µ IN. (MIN) PALLADIUM/NICKEL - 20µ IN. (MIN)</p> <p>COUPLING NUT MATERIAL: ZINC DIECAST EPOXY-COAT (ALSO AVAILABLE IN STAINLESS STEEL OR NON-METALLIC)</p> <p>CABLE TYPE(S): 16 AWG: PVC INSULATED, STRANDED COPPER CONDUCTORS, YELLOW PVC JACKETED, 600V, 105°C, UL RECOGNIZED STOOW-A, CSA CERTIFIED ST (SEE CABLE MATRIX ON PAGE 132 FOR OTHER AVAILABLE CABLE TYPES)</p> <p>CABLE STRANDING: 65 X #34</p> <p>CABLE DIAMETER: 9/C - .64" 10/C - .66" 12/C - .71"</p> <p>CABLE STRAIN RELIEF: 35 POUNDS MIN. - PER UL STD. 514</p>	<p>ELECTRICAL</p> <p>VOLTAGE RATING: 600VAC/600VDC</p> <p>CONTACT RESISTANCE: ≤5mΩ, (AFTER 100 MATE/UNMATE CYCLES - PER MIL STD. 1344, 3004.1)</p> <p>ISOLATION RESISTANCE: ≥1000MΩ</p> <p>ENVIRONMENTAL</p> <p>PROTECTION: IP 68, NEMA 6P - PER NEMA STD. 250</p> <p>AMBIENT OPERATING TEMP: -20° TO +105°C</p> <p>CORROSION RESISTANCE: 500 HOUR SALT SPRAY - PER MIL STD. 202F</p> <p>VIBRATION RESISTANCE: 10 - 500 HZ @ 10g - PER MIL STD. 202F, 204D, CONDITION A 1000 PSI</p> <p>HIGH PRESSURE WATER SPRAY:</p> <p>CERTIFICATIONS</p> <p>UL: UL RECOGNIZED, FILE NO. E46237</p> <p>CSA: CSA CERTIFIED, FILE NO. LR6837</p> <p>VDE: SPACINGS TO VDE 0110 GROUP C (250VAC/300VDC)</p>
--	---

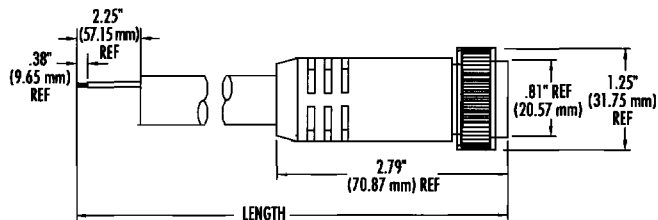
Male Straight Plug



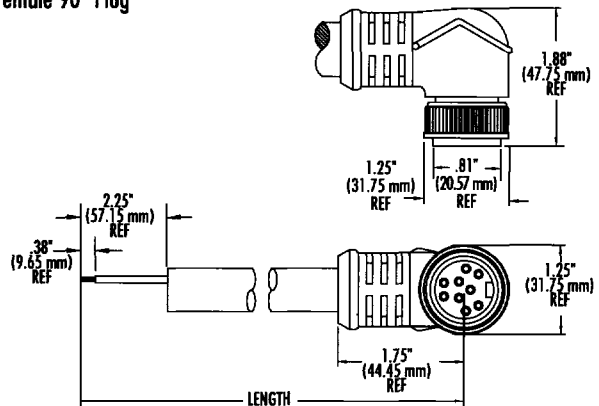
Male 90° Plug



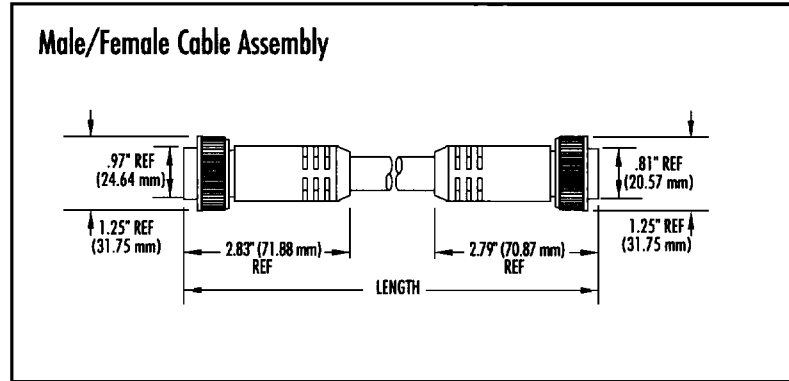
Female Straight Plug



Female 90° Plug



Mini-Change® 9/10/12 Pole Plugs and Cable Assemblies



PLUGS AND CABLE ASSEMBLIES WITH #16 AWG STOOV-A CABLE

POLES	FACE VIEW MALE	WIRING CODE	CURRENT RATING 600V	CABLE LENGTH ft/meters	MALE STRAIGHT	MALE 90°	FEMALE STRAIGHT	FEMALE 90°	MALE/FEMALE CABLE ASSEMBLY
9		1-ORANGE 2-BLUE 3-RED-BLK. TR. 4-GREEN-BLK. TR. 5-WHITE 6-RED 7-GREEN 8-WHITE-BLK. TR. 9-BLACK	7A	3ft/.91m	47008	47008-90	47001	47001-90	47029
				6ft/1.83m	47009	47009-90	47002	47002-90	47051
				12ft/3.66m	47010	47010-90	47003	47003-90	47052
				20ft/6.10m	47057	47057-90	47043	47043-90	47025
10		1-ORANGE 2-BLUE 3-WHITE-BLK. TR. 4-RED-BLK. TR. 5-GREEN-BLK. TR. 6-ORANGE-BLK. TR. 7-RED 8-GREEN 9-BLACK 10-WHITE	7A	3ft/.91m	47208	47208-90	47201	47201-90	47253
				6ft/1.83m	47209	47209-90	47202	47202-90	47224
				12ft/3.66m	47210	47210-90	47203	47203-90	47250
				20ft/6.10m	47235	47235-90	47239	47239-90	47212
12		1-ORANGE 2-BLUE 3-WHITE-BLK. TR. 4-RED-BLK. TR. 5-GREEN-BLK. TR. 6-ORANGE-BLK. TR. 7-BLUE-BLK. TR. 8-BLACK-WHT. TR. 9-GREEN 10-RED 11-WHITE 12-BLACK	5A	3ft/.91m	47408	47408-90	47401	47401-90	47479
				6ft/1.83m	47409	47409-90	47402	47402-90	47413
				12ft/3.66m	47410	47410-90	47403	47403-90	47446
				20ft/6.10m	47425	47425-90	47449	47449-90	47424

PRODUCT OPTIONS

1. For Stainless Steel Coupling Nut: add "SS" to catalog number. e.g. 47008 becomes 47008SS.
2. For Max-Loc Cord Grip bodies: see ordering information on page 33.