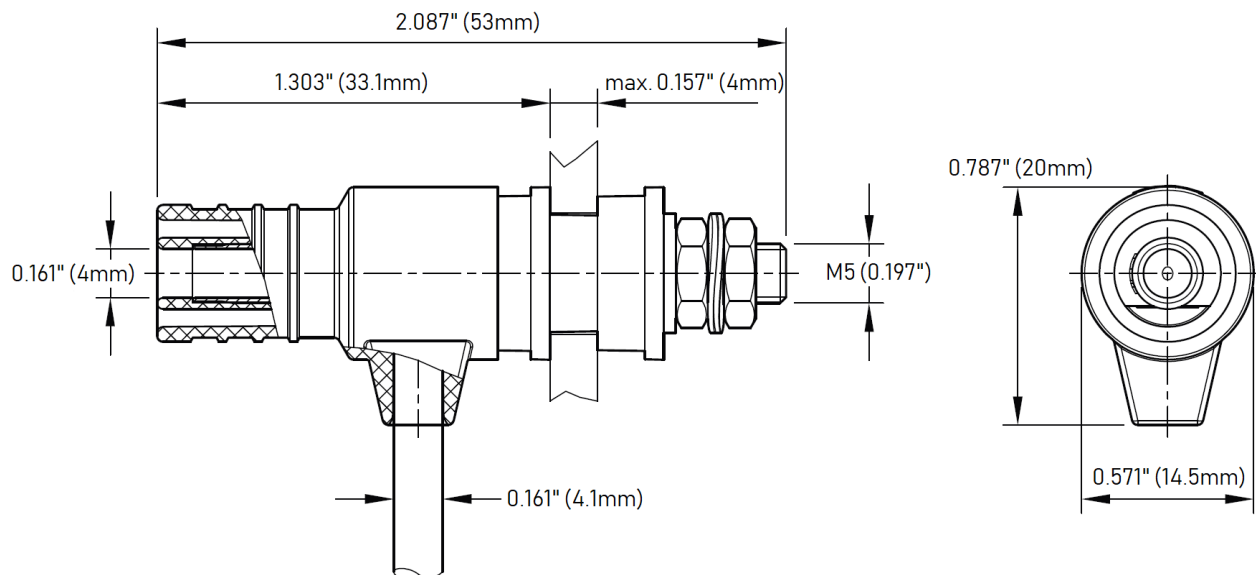


Model 73095
Spring-Loaded Binding Post with 4mm Safety Jack



Features

- Spring-loaded design offers easy wire attachment
- 3.2mm cross hole for quick wire connection
- Binding post mates with 4mm sheathed banana plugs and test leads
- Ideal for mounting in pre-drilled panels
- Machined brass
- M5 threaded bolt
- Compatible with popular Pomona test lead models 5907A, 5908A, and 5909A test lead sets

Ratings

Voltage: CAT II 600V
Current: 32 A

Ordering Information

Model: 73095-*color*
Color: 0=Black, 2=Red
Spring-Loaded Binding Post with 4mm Safety Jack



USA: Sales: 800-490-2361
Technical Support: technicalsupport@pomonatest.com
Fax: 425-446-5844
Europe: 31-(0) 40 2675 150 **International:** 425-446-5500
Where to Buy: www.pomonaelectronics.com

All dimensions are in inches. Tolerances (except noted): .xx = ±.02" (.51 mm), .xxx = ±.005" (.127 mm). All specifications are to the latest revisions. Specifications are subject to change without notice. Registered trademarks are the property of their respective companies.