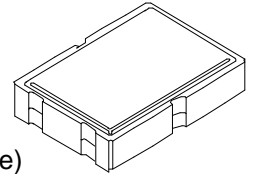




Pletronics, Inc.

19013 36th Ave. W, Suite H • Lynnwood, WA 98036 USA
 Manufacturer of High Quality Frequency Control Products

SM13T, SM13TS Crystal



- 4 Pad 7x5mm Surface Mount Crystal (Metal Cover Seam Sealed to Ceramic Base)
- SM13TS Specifically Designed for High Shock Applications
- Solder Pad Compatible with our SM13H

6.001 MHz – 80.000 MHz

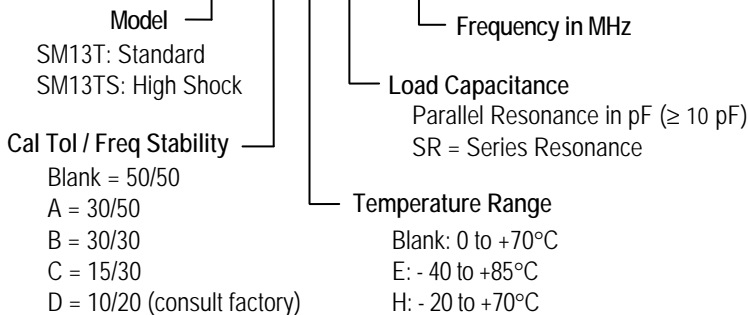
Standard Specifications

Calibration Frequency Tolerance at 25°C	± 50 PPM is standard, tighter tolerances available
Operating Temperature Range (OTR)	0 to +70°C is standard, but can be extended to -40 to +85°C
Frequency Stability (FS) over OTR	± 50 PPM is standard, tighter tolerances available
Drive Level	100 mW is standard, customer may specify
Aging at 25°C	± 3 PPM maximum
SM13TS Only { Mechanical Shock	5000 g's, 1/2 sine, 0.2 mS
Drop Test	2 meter free fall onto a concrete floor, 10 times

Part Numbering Guide

Portions of the part number that appear after the frequency may not be marked on part (C of C provided)

SM13TS B E - xx - 70.0M - XXX (Internal Code or blank)



Consult factory for available frequencies and specs.

Not all options available for all frequencies. A special part number may be assigned.

ESR Values

Oscillation Mode	Frequency Range (MHz)	Maximum ESR (Ohms)
Fundamental AT Cut	6.001 – 8.000	150
	8.001 – 9.000	80
	9.001 – 11.000	40
	11.001 – 50.000	30
3rd Overtone AT Cut	26.000 – 80.000	80

Consult factory for lower ESR

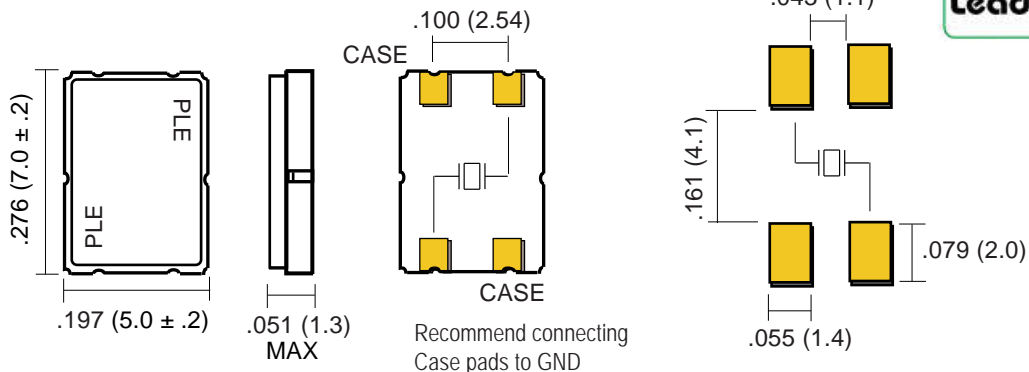
Mechanical: inches (mm)

not to scale

Solder Pads

Due to part size and factory abilities, part marking may vary from lot to lot and may contain our part number or an internal code.

Packaging
 16mm tape
 12mm pitch



Feb 2005