

PLS-051A-3PPI



PLS-051A-3PPI

Standard Level Sensor

Electrical Characteristics @ 25 °C

| | | |
|------------------------|--------|-----|
| Contact form | | A |
| Contact rating max. | W / VA | 10 |
| Switching voltage max. | VDC | 200 |
| | VAC | 140 |
| Switching current max. | A | 1 |
| Carry current max. | A | 1.2 |
| Breakdown voltage min. | VDC | 240 |
| Total resistance max. | mΩ | 280 |

Environmental Characteristics

| | | |
|-----------------------|----|------------|
| Operating temperature | °C | -20 to +80 |
| Storage temperature | °C | -30 to +80 |

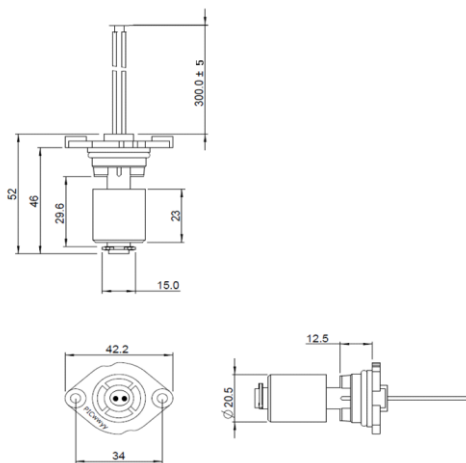
Mechanical Characteristics

| | | |
|---------------------------------------|---------------------|------------------------|
| Density of float typ.* | g / cm ³ | 0.8 |
| Recommended minimum gravity of medium | g / cm ³ | Density of float + 20% |

* in delivery condition

Dimensions in mm

© PIC GmbH



Features

- No power supply required
- Customized types available
- Covers a wide range of applications
- Polypropylene housing

Approvals



Ordering Information

| | | |
|--------------------|-------|-----|
| Packing Unit | 10 | pcs |
| Weight per piece | 17.25 | g |
| Weight per package | 185 | g |

PLS-051A-3PPI



PLS-051A-3PPI

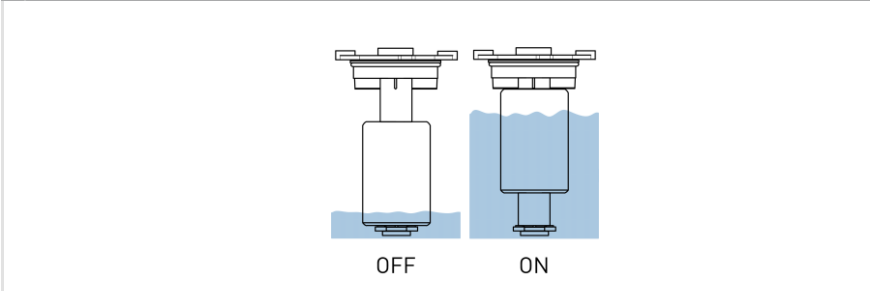
Standard Level Sensor

Material Information

| | Material | Colour |
|------------------|-------------------------------------------|--------|
| Housing* | PP | white |
| Float | PP foam | white |
| Potting compound | Epoxy | black |
| Sealing ring | Silicone | brown |
| Cable | UL 1007, AWG 24, 4 mm stripped and tinned | white |

* please refer to date code on top of sensor: POM housing material if date code PICwvyy is older than "1519"

Operation View

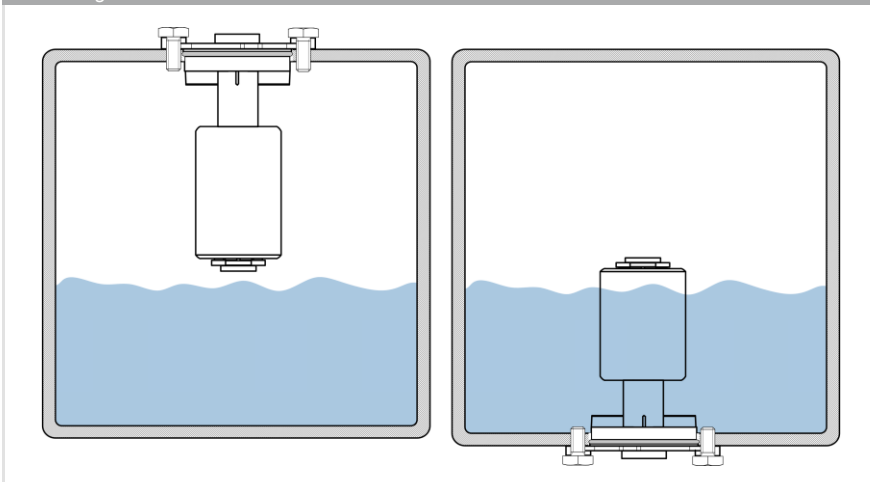


Remarks

When mounted near ferromagnetic parts switching distance of PLS-051A-3PPI may vary.

Electromagnetical influences and magnetic fields may change the switching behaviour of the Level Sensor.

Mounting



When mounted stem up, operating functions are reversed.