

Safety relays - PSR-SPP- 24DC/SIM4 - 2981949

Please be informed that the data shown in this PDF Document is generated from our Online Catalog. Please find the complete data in the user's documentation. Our General Terms of Use for Downloads are valid (<http://phoenixcontact.com/download>)



Interface module for connecting several safety sensors or switches with N/C or N/O contacts to the PSR-SDC4 safety relay, with spring-cage terminal block

The figure shows a version with a screw connection


Your advantages

- ✓ 4 two-channel N/O or N/C contact inputs
- ✓ Up to Cat. 3/PL d according to ISO 13849-1, SILCL 2 according to IEC 62061, SIL 2 according to IEC 61508 (in conjunction with the PSR-SDC4 master)
- ✓ 4 PLC diagnostic outputs for evaluating the switching state of the safety sensors
- ✓ 4 LEDs as status indicators for the relevant sensor/switch
- ✓ PSR-TBUS connection

RoHS



Key Commercial Data

Packing unit	1 pc
GTIN	 4 046356 325998
GTIN	4046356325998

Technical data

Dimensions

Width	22.5 mm
Height	117 mm
Depth	106 mm

Ambient conditions

Ambient temperature (operation)	-20 °C ... 55 °C
Ambient temperature (storage/transport)	-40 °C ... 70 °C
Degree of protection	IP20

Safety relays - PSR-SPP- 24DC/SIM4 - 2981949

Technical data

Supply

Nominal input voltage U_N	24 V DC (from PSR)
Input voltage range in reference to U_N	0.85 ... 1.1

General

Status display	Green LED
Max. permissible current	100 mA (per signal output)
Max. permissible total current	100 mA (alarm outputs)
Nominal operating mode	100% operating factor
Mounting position	any
Assembly instructions	In rows with zero spacing
Designation	Air clearances and creepage distances between the power circuits
Standards/regulations	DIN EN 50178
Rated surge voltage/insulation	0.8 kV
Rated insulation voltage	50 V DC
Degree of pollution	2
Overvoltage category	III

Connection data

Connection method	Spring-cage connection
pluggable	Yes
Conductor cross section solid min.	0.2 mm ²
Conductor cross section solid max.	1.5 mm ²
Conductor cross section flexible min.	0.2 mm ²
Conductor cross section flexible max.	1.5 mm ²
Conductor cross section AWG min.	24
Conductor cross section AWG max.	16
Stripping length	8 mm

Standards and Regulations

Designation	Air clearances and creepage distances between the power circuits
Standards/regulations	DIN EN 50178
Rated insulation voltage	50 V DC
Rated surge voltage/insulation	0.8 kV
Degree of pollution	2
Overvoltage category	III

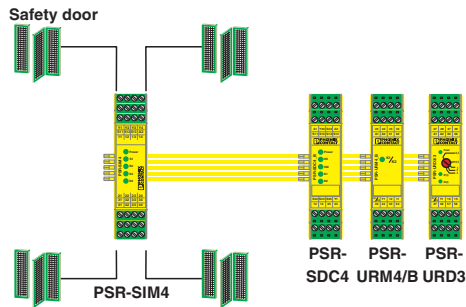
Environmental Product Compliance

China RoHS	Environmentally friendly use period: unlimited = EFUP-e
	No hazardous substances above threshold values

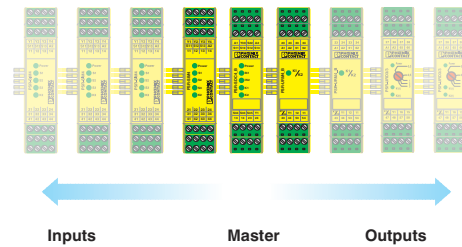
Drawings

Safety relays - PSR-SPP- 24DC/SIM4 - 2981949

Application drawing



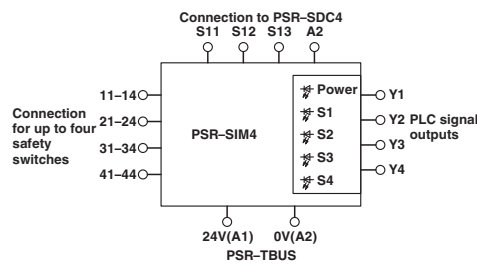
Application drawing



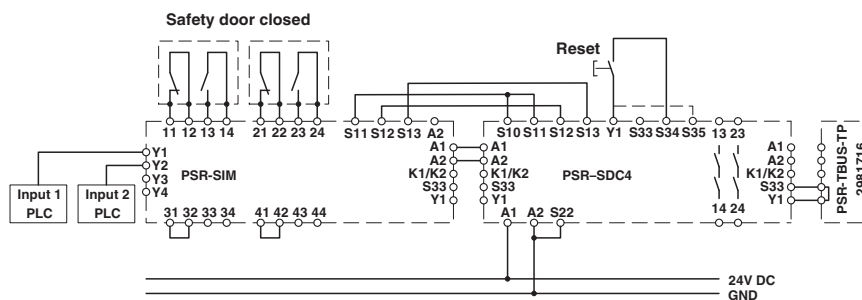
Up to 4 safety door switches can be connected to one PSR-SIM4.

Additional inputs are aligned on the left of the PSR-SDC4, outputs are to its right.

Circuit diagram



Circuit diagram



Contact extension

Approvals

Approvals

Safety relays - PSR-SPP- 24DC/SIM4 - 2981949

Approvals

Approvals

UL Listed / cUL Listed / EAC / EAC / cULus Listed

Ex Approvals

Approval details

UL Listed		http://database.ul.com/cgi-bin/XYV/template/LISEXT/1FRAME/index.htm	FILE E 140324
cUL Listed		http://database.ul.com/cgi-bin/XYV/template/LISEXT/1FRAME/index.htm	FILE E 140324
EAC			EAC-Zulassung
EAC			RU C- DE.A*30.B.01082
cULus Listed			

Phoenix Contact 2019 © - all rights reserved
<http://www.phoenixcontact.com>

PHOENIX CONTACT GmbH & Co. KG
Flachsmarktstr. 8
32825 Blomberg
Germany
Tel. +49 5235 300
Fax +49 5235 3 41200
<http://www.phoenixcontact.com>