

PSR-SCP- 24UC/ESL4/3X1/1X2/B

Order No.: 2981059



<http://eshop.phoenixcontact.de/phoenix/treeViewClick.do?UID=2981059>


1 or 2-channel safety relay for light barriers, emergency-stop and protective door circuits, 3 N/O contacts, 1 N/C contact, pluggable connection terminal blocks with screw connection



Commercial data	
EAN	4017918927202
Pack	1 Pcs.
Customs tariff	85364900
Weight/Piece	0.1939 KG
Catalog page information	Page 21 (IF-2007)

Product notes

WEEE/RoHS-compliant since:
02/15/2007



<http://www.download.phoenixcontact.com>
Please note that the data given here has been taken from the online catalog. For comprehensive information and data, please refer to the user documentation. The General Terms and Conditions of Use apply to Internet downloads.

Technical data

Input data	
Nominal input voltage U_N	24 V AC/DC
Input voltage range in reference to U_N	0.85 ... 1.1
Typical input current at U_N	150 mA AC
	70 mA DC

Voltage at input/start and feedback circuit	Approx. 24 V DC
Typical response time	25 ms (100 ms automatic start)
Typical release time	10 ms
Concurrence input 1/2	Infinite
Recovery time	1 s

Output data

Contact type	3 enabling current paths, 1 signaling current path
Contact material	AgSnO ₂ , + 0.2 µm Au
Maximum switching voltage	250 V
Minimum switching voltage	15 V AC/DC
Limiting continuous current	6 A
Maximum inrush current	6 A
Inrush current, minimum	25 mA
Sq. Total current	$72 \text{ A}^2 (I_{TH}^2 = I_1^2 + I_2^2 + I_3^2)$
Interrupting rating (ohmic load) max.	144 W (24 V DC, τ = 0 ms)
	288 W (48 V DC, τ = 0 ms)
	77 W (110 V DC, τ = 0 ms)
	88 W (220 V DC, τ = 0 ms)
	1500 VA (250 V AC, τ = 0 ms)
Maximum interrupting rating (inductive load)	48 W (24 V DC, τ = 40 ms)
	40 W (48 V DC, τ = 40 ms)
	35 W (110 V DC, τ = 40 ms)
	33 W (220 V DC, τ = 40 ms)
Switching capacity min.	0.4 W
Output fuse	10 A gL/gG NEOZED (N/O contact)

General data

Length	99 mm
Width	22.5 mm
Height	114.5 mm
Ambient temperature (operation)	-20 °C ... 55 °C
Ambient temperature (storage/transport)	-20 °C ... 70 °C
Service life mechanical	Approx. 10 ⁷ cycles
Mounting position	Any
Category in acc. with EN 954-1	4

Stop category	0
Name	Air and creepage distances between the power circuits
Standards/regulations	DIN EN 50178/VDE 0160
Rated surge voltage / insulation	4 kV / basic insulation (safe isolation, increased isolation and 6 kV between input circuit and output contact current paths.)
Rated insulation voltage	250 V
Pollution degree	2
Surge voltage category	III

Connection data

Conductor cross section solid min.	0.2 mm ²
Conductor cross section solid max.	2.5 mm ²
Conductor cross section stranded min.	0.2 mm ²
Conductor cross section stranded max.	2.5 mm ²
Conductor cross section AWG/kcmil min.	24
Conductor cross section AWG/kcmil max	12
Stripping length	7 mm
Screw thread	M3
Type of connection	Screw connection

Certificates / Approvals

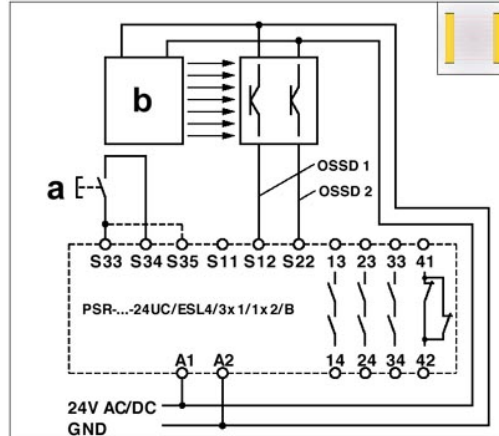
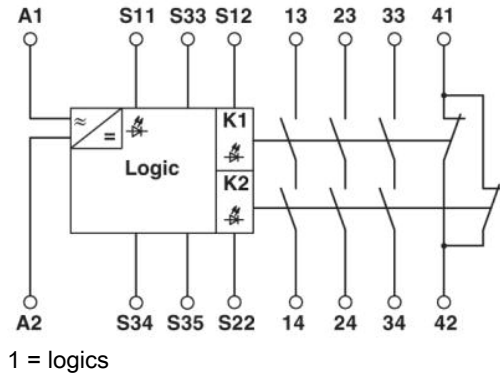


Certification

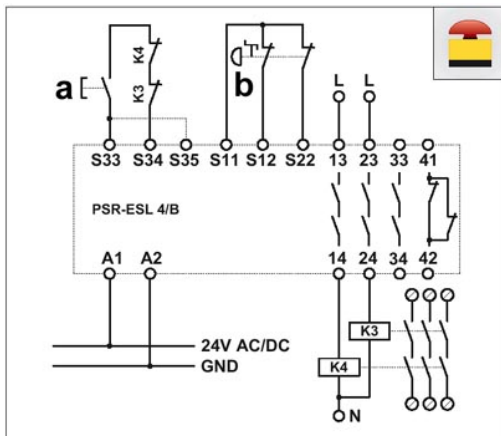
BG, CUL Listed, GOST, UL Listed

Drawings

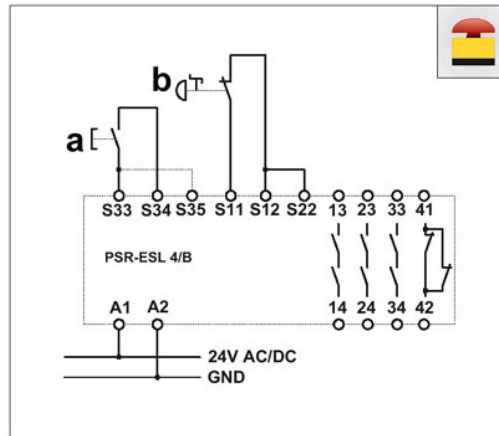
Circuit diagram



a = RESET
 b = light barrier
 Two-channel light barrier monitoring with cross-circuiting monitoring and manual activation (automatic activation: Bridge on S33/S35), suitable up to safety category 4.



a = RESET
 b = Emergency stop
 Two-channel emergency-stop circuit with manual activation and monitored contact expansion (automatic activation: Bridge on S33/S35), suitable up to safety category 3.



a = RESET
 b = Emergency stop
 One-channel emergency-stop circuit with manual activation (automatic activation: Bridge on S33/S35), suitable up to safety category 2.