

Active module - UMK-32 RM/MR-G24/1/PLC - 2979472

Please be informed that the data shown in this PDF Document is generated from our Online Catalog. Please find the complete data in the user's documentation. Our General Terms of Use for Downloads are valid (<http://phoenixcontact.com/download>)




VARIOFACE output module, with 32 miniature relays, 1 N/O contact each, plugged, for 24 V DC (incl. relay)

Your advantages

- ✓ Narrow design width of just 55 mm (8 channels) or 202 mm (32 channels)
- ✓ Universal applications from 1 mA to 3 A continuous current thanks to 2-layer double contact with hard gold plating
- ✓ LED status indicator per signal path and supply voltage
- ✓ Freewheeling and polarity protection diode for each signal path
- ✓ Plug-in miniature relays each with an N/O contact



Key Commercial Data

Packing unit	1 pc
GTIN	 4 017918 130367
GTIN	4017918130367

Technical data

Note

Utilization restriction	EMC: class A product, see manufacturer's declaration in the download area
-------------------------	---

Dimensions

Width	202.5 mm
Height	77 mm
Depth	52.5 mm

Ambient conditions

Ambient temperature (operation)	-20 °C ... 50 °C
Ambient temperature (storage/transport)	-20 °C ... 70 °C
Degree of protection	IP00

Active module - UMK-32 RM/MR-G24/1/PLC - 2979472

Technical data

Input data

Nominal input voltage U_N	24 V DC
Input voltage range in reference to U_N	0.8 ... 1.1
Typical input current at U_N	6.5 mA
Typical response time	5 ms
Typical release time	15 ms
Type of protection	Free-wheeling diode
Protective circuit/component	Damping diode
Type of protection	Reverse polarity protection
Protective circuit/component	Polarity protection diode
Operating voltage display	Green LED
Status display/channel	Yellow LED

Output data

Contact type	1 N/O contact
Contact material	AgNi, 5 μ m hard gold-plated
Maximum switching voltage	250 V AC
	125 V DC
Minimum switching voltage	5 V
Limiting continuous current	3 A
Maximum inrush current	5 A
Min. switching current	1 mA
Interrupting rating (ohmic load) max.	72 W (24 V DC)
	60 W (48 V DC)
	50 W (60 V DC)
	50 W (110 V DC)
	750 VA (250 V AC)
Error detection (line break / short-circuit)	no

General

No. of channels	32
Compatible components	Miniature relay, REL-MR-G 24/1
With components	yes
Mechanical service life	2×10^7 cycles
Operating mode	100% operating factor
Mounting position	any
Assembly instructions	In rows with zero spacing
Color	gray

Connection data

Connection name	Controller level
Connection method	IDC/FLK pin strip
Number of connections	1

Active module - UMK-32 RM/MR-G24/1/PLC - 2979472

Technical data

Connection data

Number of positions	50
Pitch	2.54 mm

Connection data 2

Connection name	Field level
Connection method	Screw connection
Stripping length	6 mm
Screw thread	M3
Number of connections	64
Conductor cross section solid	0.14 mm ² ... 1.5 mm ²
Conductor cross section flexible	0.14 mm ² ... 1.5 mm ²
Conductor cross section AWG	26 ... 16

Connection data 3

Connection name	Supply
Connection method	Screw connection
Stripping length	6 mm
Screw thread	M3
Number of connections	4
Number of positions	2
Conductor cross section solid	0.14 mm ² ... 1.5 mm ²
Conductor cross section flexible	0.14 mm ² ... 1.5 mm ²
Conductor cross section AWG	26 ... 14

Supported controller

Controller	SIEMENS S7-1500
- suitable I/O card	6ES7 522-1BL00-0AB0
	6ES7 522-1BL01-0AB0
Controller	SIEMENS S7-400
- suitable I/O card	6ES7 422-1BL00-0AA0
	6ES7 422-7BL00-0AB0
Controller	ALLEN-BRADLEY PLC 5
- suitable I/O card	1771 OBN
Controller	Emerson DeltaV
- suitable I/O card	VE4002S1T2B6
Controller	GE-FANUC RX3i
- suitable I/O card	IC694MDL754
Controller	HONEYWELL Experion PKS C200
- suitable I/O card	TC-ODD 321
Controller	MITSUBISHI MELSEC L
- suitable I/O card	LY41PT1P
	LY42PT1P

Active module - UMK-32 RM/MR-G24/1/PLC - 2979472

Technical data

Supported controller

Controller	MITSUBISHI MELSEC Q
- suitable I/O card	QY81P
	QY82P
Controller	Schneider Electric Modicon TSX QUANTUM
- suitable I/O card	DDO 353
Controller	SIEMENS S7-300 / ET 200 M
- suitable I/O card	6ES7 322-1BL00-0AA0

Standards and Regulations

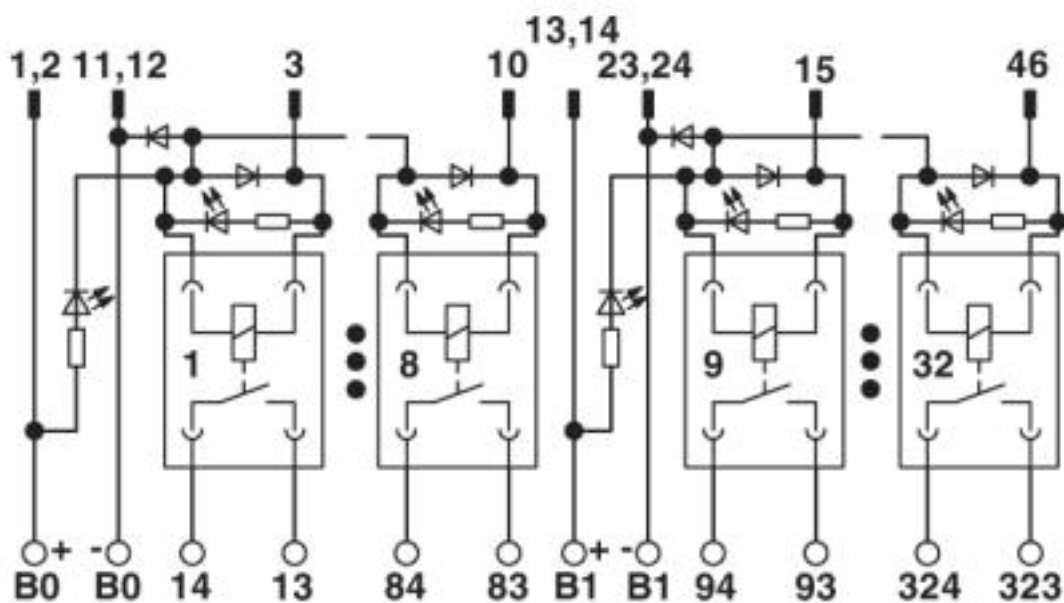
Connection in acc. with standard	CUL
Standards/regulations	DIN EN 50178
	IEC 60664
Rated insulation voltage	260 V AC
Rated surge voltage	4 kV (basic insulation)
Pollution degree	2
Overvoltage category	III

Environmental Product Compliance

REACH SVHC	Cadmium oxide 1306-19-0
China RoHS	Environmentally Friendly Use Period = 50 years
	For details about hazardous substances go to tab "Downloads", Category "Manufacturer's declaration"

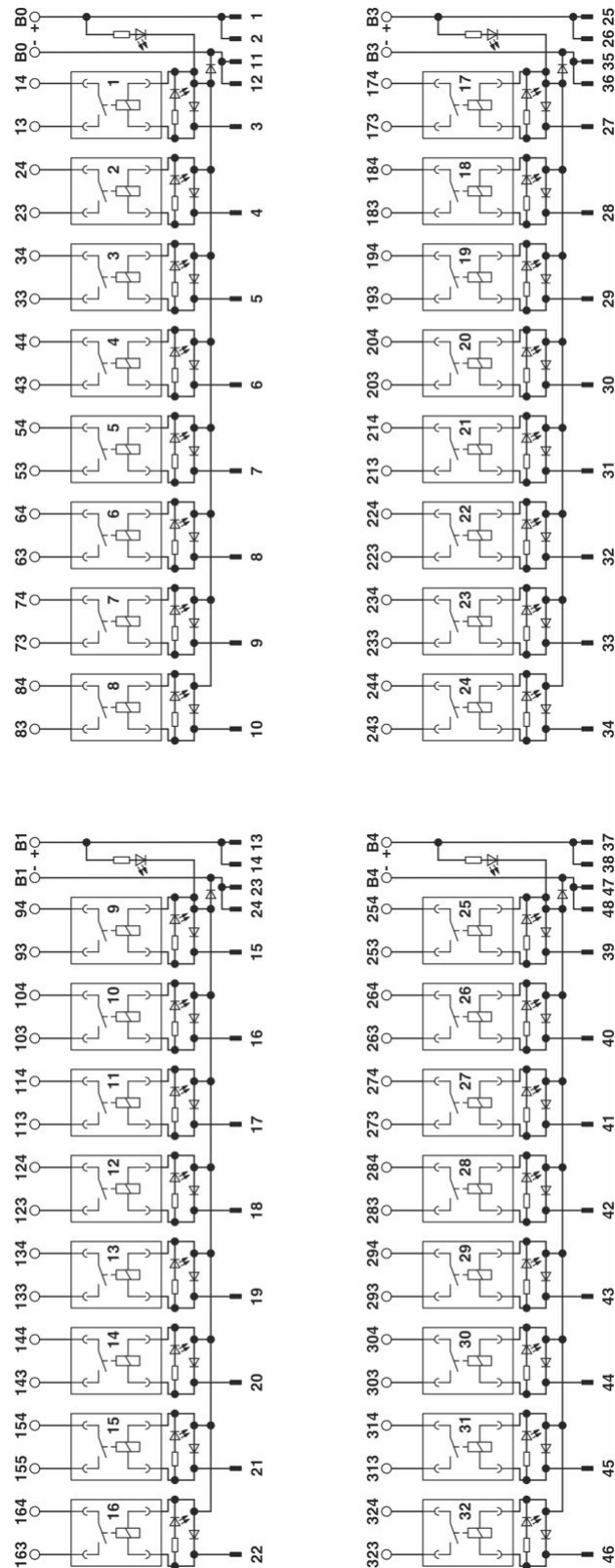
Drawings

Circuit diagram



Active module - UMK-32 RM/MR-G24/1/PLC - 2979472

Circuit diagram



Active module - UMK-32 RM/MR-G24/1/PLC - 2979472

Classifications

eCl@ss

eCl@ss 10.0.1	27141152
eCl@ss 4.0	27371100
eCl@ss 4.1	27371100
eCl@ss 5.0	27371000
eCl@ss 5.1	27371000
eCl@ss 6.0	27371000
eCl@ss 7.0	27141152
eCl@ss 8.0	27141152
eCl@ss 9.0	27141152

ETIM

ETIM 5.0	EC002780
ETIM 6.0	EC002780
ETIM 7.0	EC002780

UNSPSC

UNSPSC 6.01	30211916
UNSPSC 7.0901	39121515
UNSPSC 11	39121515
UNSPSC 12.01	39121515
UNSPSC 13.2	39121432
UNSPSC 18.0	39121432
UNSPSC 19.0	39121432
UNSPSC 20.0	39121432
UNSPSC 21.0	39121432

Approvals

Approvals

Approvals

UL Recognized / cUL Recognized / EAC / cULus Recognized

Ex Approvals

Approval details

Active module - UMK-32 RM/MR-G24/1/PLC - 2979472

Approvals

UL Recognized		http://database.ul.com/cgi-bin/XYV/template/LISEXT/1FRAME/index.htm	FILE E 238705
Nominal voltage UN		24 V	
Nominal current IN		3 A	

cUL Recognized		http://database.ul.com/cgi-bin/XYV/template/LISEXT/1FRAME/index.htm	FILE E 238705
Nominal voltage UN		24 V	
Nominal current IN		3 A	

EAC		RU C- DE.A*30.B.01742
-----	--	--------------------------

cULus Recognized	
------------------	--

Accessories

Accessories

Single relay

Single relay - REL-MR-G 24/1 - 2961037



Pluggable replacement miniature relay, 1 N/O contact, input voltage 24 V DC

Additional products

Active module - UM-32 RM/RT-G24/21/PLC - 2968373



Varioface output module, with 32 miniature relays, 1 PDT, plugged, for 24 V DC (incl. relay)

Phoenix Contact 2020 © - all rights reserved
<http://www.phoenixcontact.com>

PHOENIX CONTACT GmbH & Co. KG
Flachsmarktstr. 8
32825 Blomberg
Germany
Tel. +49 5235 300
Fax +49 5235 3 41200
<http://www.phoenixcontact.com>