

Solid-state relay module - EMG 10-OE-120AC/ 48DC/100 - 2948940

Please be informed that the data shown in this PDF Document is generated from our Online Catalog. Please find the complete data in the user's documentation. Our General Terms of Use for Downloads are valid (<http://phoenixcontact.com/download>)



Input solid-state relay, with LED and protective circuit in input and output circuits, input: 120 V AC, output: 4 - 48 V DC/max. 100 mA

The illustration shows version EMG 10-OE, with DC voltage output, max.100 mA

Product Features

- Protective circuit in input and output
- EMG-17-OV, short-circuit-proof with indicator LED
- RC protective circuit
- Status indicator
- Zero voltage switch
- Electrical isolation



Key commercial data

Packing unit	1 pc
GTIN	 4 017918 083618
Weight per Piece (excluding packing)	40.1 GRM
Custom tariff number	85364900
Country of origin	Germany

Technical data

Dimensions

Width	10 mm
Height	75 mm
Depth	102 mm

Solid-state relay module - EMG 10-OE-120AC/ 48DC/100 - 2948940

Technical data

Ambient conditions

Ambient temperature (operation)	-20 °C ... 60 °C
Ambient temperature (storage/transport)	-20 °C ... 70 °C
Degree of protection	IP20

Input data

Nominal input voltage U_N	120 V AC
Input voltage range in reference to U_N	0.9 ... 1.1
Switching threshold "0" signal in reference to U_N	≤ 0.4
Switching threshold "1" signal in reference to U_N	≥ 0.8
Typical input current at U_N	4.8 mA
Typical response time	10 ms
Typical turn-off time	10 ms
Status display	Yellow LED
Type of protection	Protection against polarity reversal
	Surge protection
Protective circuit/component	Polarity protection diode
Transmission frequency	10 Hz

Output data

Output nominal voltage	48 V DC
Output voltage range	4 V DC ... 48 V DC
Limiting continuous current	100 mA
Voltage drop at max. limiting continuous current	0.9 V
Output circuit	2-wire, floating
Type of protection	Protection against polarity reversal
	Surge protection
Protective circuit/component	Polarity protection diode

Connection data

Connection method	Screw connection
Stripping length	8 mm
Screw thread	M3
Conductor cross section solid min.	0.2 mm ²
Conductor cross section solid max.	4 mm ²
Conductor cross section stranded min.	0.2 mm ²
Conductor cross section stranded max.	2.5 mm ²
Conductor cross section AWG/kcmil min.	24
Conductor cross section AWG/kcmil max	12

Solid-state relay module - EMG 10-OE-120AC/ 48DC/100 - 2948940

Technical data

General

Test voltage input/output	3.5 kV AC
	3.5 kV AC
Mounting position	any
Assembly instructions	In rows with zero spacing
Operating mode	100% operating factor
Inflammability class according to UL 94	V0
Standards/regulations	IEC 60664
	EN 50178
	IEC 62103
Rated surge voltage / insulation	Basic insulation
Pollution degree	2
Surge voltage category	III

Classifications

eCl@ss

eCl@ss 4.0	27371102
eCl@ss 4.1	27371102
eCl@ss 5.0	27371001
eCl@ss 5.1	27371001
eCl@ss 6.0	27371001
eCl@ss 7.0	27371001
eCl@ss 8.0	27371001

ETIM

ETIM 2.0	EC001504
ETIM 3.0	EC001504
ETIM 4.0	EC001504
ETIM 5.0	EC001504

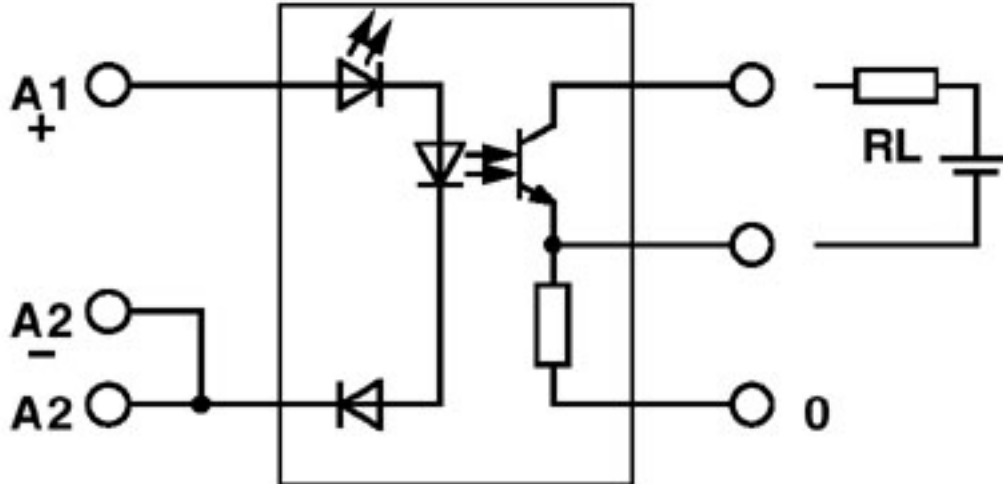
UNSPSC

UNSPSC 6.01	30211916
UNSPSC 7.0901	39121542
UNSPSC 11	39121542
UNSPSC 12.01	39121542
UNSPSC 13.2	39121542

Drawings

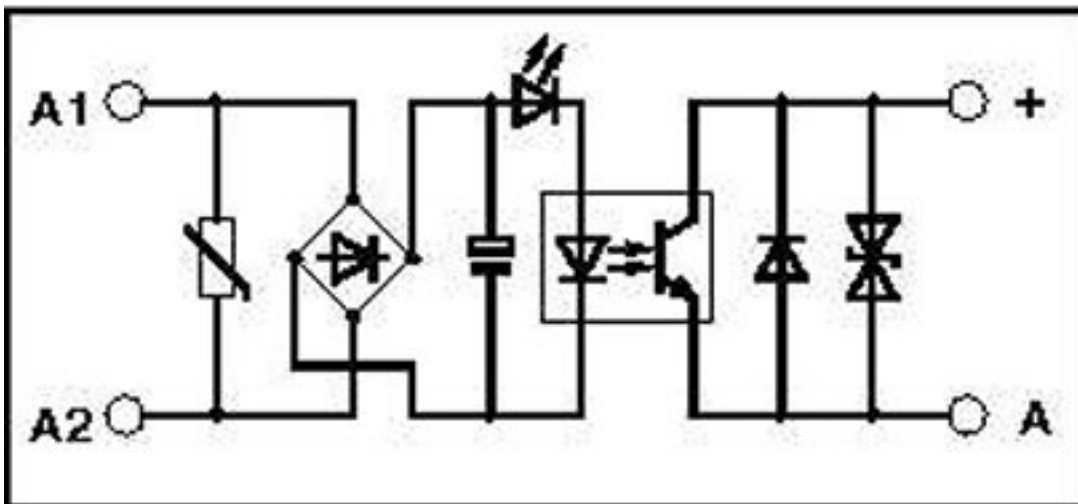
Solid-state relay module - EMG 10-OE-120AC/ 48DC/100 - 2948940

Circuit diagram



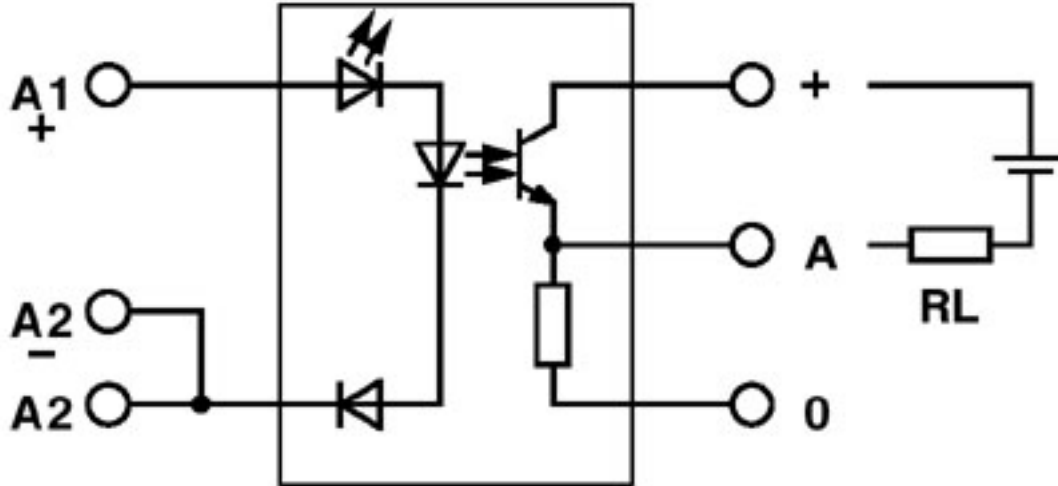
Output: 2-wire, floating, minus switching

Circuit diagram



Solid-state relay module - EMG 10-OE-120AC/ 48DC/100 - 2948940

Circuit diagram



Output: 2-wire, floating, plus switching