

ELR 3/ 9-400

Order No.: 2941701



<http://eshop.phoenixcontact.de/phoenix/treeViewClick.do?UID=2941701>

Electronic load relay, for direct driving of equipment in the 3-phase network, with light indicator and protection circuit, output: 110-440 V AC/3 x 9 A



Commercial data

GTIN (EAN)	4017918101046
sales group	G411
Pack	1 pcs.
Customs tariff	85371099
Weight/Piece	0.7489 KG
Catalog page information	Page 172 (IF-2009)

Product notes

WEEE/RoHS-compliant since:
11/23/2006



<http://www.download.phoenixcontact.com>
Please note that the data given here has been taken from the online catalog. For comprehensive information and data, please refer to the user documentation. The General Terms and Conditions of Use apply to Internet downloads.

Technical data

Input data

Protective circuitry	Polarity protection Polarity protection diode
	Surge protection
Status display	Yellow LED
Input name	Control input right/left

Nominal input voltage U_N	24 V DC
Input voltage range in reference to U_N	0.8 ... 1.2
Typical input current at U_N	16 mA
Switching threshold "0" signal in reference to U_N	> 0.8
Switching threshold "1" signal in reference to U_N	< 0.3
Reaction time in normal load operation	20 ms
Transmission frequency	10 Hz (With ohmic load)
	1 Hz (At $\cos \phi = 0.5$)

Output data, load relay

Output name	AC output
Nominal output voltage	400 V AC
Nominal output voltage range	110 V AC ... 440 V AC
Periodic peak reverse voltage	800 V
Mains frequency	50 Hz
	60 Hz
Load current	9 A (see derating curve)
Leakage current	Typ. 7 mA
Residual voltage	Typ. 1.5 V
Surge current	230 A ($t_p = 10$ ms, at 25 °C)
Name of protection	RC element
Protective circuit/component	RC element
Name of protection	Surge protection
Surge voltage protection	> 750 V

Connection data

Type of connection	Screw connection
Stripping length	8 mm
Conductor cross section solid min.	0.2 mm ²
Conductor cross section solid max.	6 mm ²
Conductor cross section stranded min.	0.2 mm ²
Conductor cross section stranded max.	4 mm ²
Conductor cross section AWG/kcmil min.	24
Conductor cross section AWG/kcmil max	10
Screw thread	M3

General data

Width	62 mm
Height	110 mm
Depth	84 mm
Test voltage input/output	2.5 kV
Ambient temperature (operation)	-20 °C ... 60 °C
Ambient temperature (storage/transport)	-20 °C ... 70 °C
Mounting position	Panel mounting on horizontal DIN rail
Assembly instructions	Can be aligned with > 20 mm spacing
Operating mode	100% operating factor
Degree of protection	IP20
Name	Air and creepage distances between the power circuits
Standards/regulations	EN 50178
Name	Power station requirements
	EMC regulations
Standards/regulations	EN 61000-6-2
	EN 61000-6-4

Certificates / Approvals

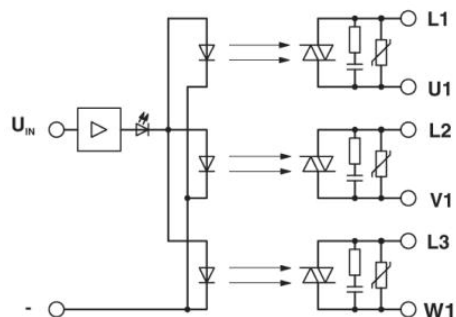


Certification

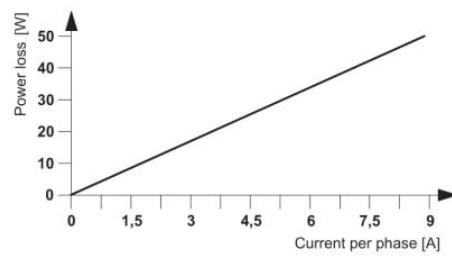
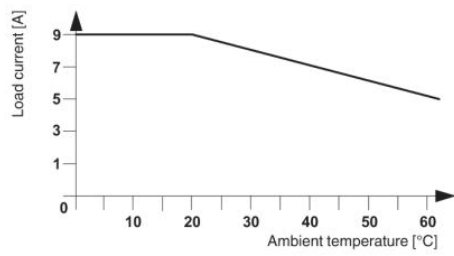
GOST

Diagrams/Drawings

Block diagram



Diagram



Address

PHOENIX CONTACT Inc., USA
586 Fulling Mill Road
Middletown, PA 17057, USA
Phone (800) 888-7388
Fax (717) 944-1625
<http://www.phoenixcon.com>



© 2010 Phoenix Contact
Technical modifications reserved;