

# Timer relay - ETD-BL-1T-ON-300MIN - 2917405

Please be informed that the data shown in this PDF Document is generated from our Online Catalog. Please find the complete data in the user's documentation. Our General Terms of Use for Downloads are valid (<http://phoenixcontact.com/download>)



Timer relay with switch-on delay (voltage-controlled) and an adjustable time range (3 min - 300 min), with screw connection

## Product Description

Compact timer relay in 6.2 mm housing for controlling time sequences.

The time is set on the front of the device using a labeled thumbwheel, which is recessed to protect against accidental modification. A screwdriver is used to change the settings (blade width 2.5 mm).

The compact timer relays are available with different time ranges as well as with a screw, spring-cage, and push-in connection.

## Your advantages

- 6.2 mm narrow design width
- High level of setting accuracy thanks to labeled and illuminated thumb wheel



## Key Commercial Data

Packing unit	1 pc
GTIN	
GTIN	4046356365765

## Technical data

### Dimensions

Width	6.2 mm
Height	80 mm
Depth	86 mm

### Ambient conditions

Ambient temperature (operation)	-20 °C ... 65 °C
Ambient temperature (storage/transport)	-25 °C ... 80 °C
Permissible humidity (operation)	15 % ... 85 %
Degree of protection	IP20
Noise immunity	EN 61000-6-2
	When being exposed to interference, there may be minimal deviations.

# Timer relay - ETD-BL-1T-ON-300MIN - 2917405

## Technical data

### Coil side

Input voltage range	24 V DC (19.2 V DC ...30 V DC)
Function	ON: With switch-on delay
Setting range time	3 min. ... 300 min.

### Contact side

Contact type	1 floating PDT
Output fuse	6.3 A (fast-blow)

### General

Status display	Green LED (POWER) Yellow LED (relay active)
Mechanical service life	approx. $2 \times 10^7$ cycles
Mounting position	any
Assembly instructions	on standard DIN rail NS 35 in accordance with EN 60715
Color	gray
Housing insulation material	Polyamide PA, self-extinguishing
Permissible humidity (operation)	15 % ... 85 %

### Connection data

Connection method	Screw connection
Stripping length	8 mm
Conductor cross section solid	0.14 mm <sup>2</sup> ... 2.5 mm <sup>2</sup>
Conductor cross section flexible	0.14 mm <sup>2</sup> ... 2.5 mm <sup>2</sup>
Conductor cross section AWG	30 ... 12
Torque	0.6 Nm ... 0.8 Nm 5 lb <sub>f</sub> -in. ... 7 lb <sub>f</sub> -in.

### Control contact

Control pulse length	min. 50 ms
----------------------	------------

### Standards and Regulations

Electromagnetic compatibility	Conformance with EMC Directive 2004/108/EC
Noise emission	EN 61000-6-4
Noise immunity	EN 61000-6-2
Standards/regulations	EN 50178
Rated insulation voltage	300 V AC
Rated surge voltage	6 kV
Insulation	Safe isolation
Pollution degree	2
Overvoltage category	III
Low Voltage Directive	Conformance with LV directive 2006/95/EC

### Environmental Product Compliance

REACH SVHC	Lead 7439-92-1
------------	----------------

# Timer relay - ETD-BL-1T-ON-300MIN - 2917405

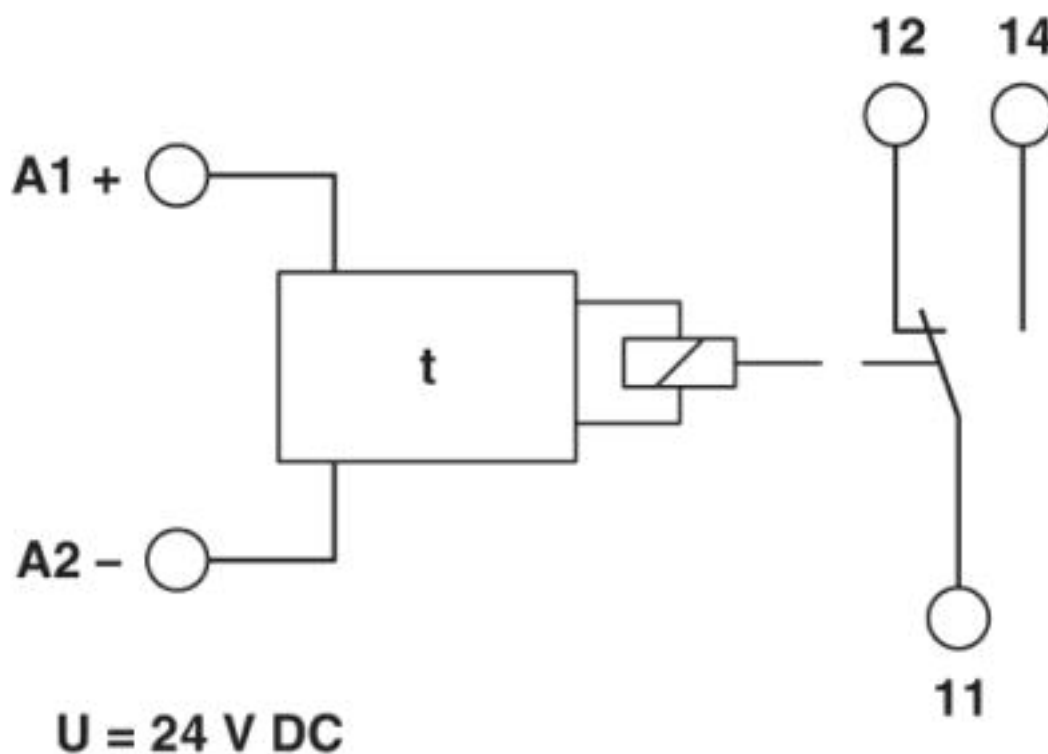
## Technical data

### Environmental Product Compliance

China RoHS	Environmentally Friendly Use Period = 50 years
	For details about hazardous substances go to tab "Downloads", Category "Manufacturer's declaration"

## Drawings

Block diagram



## Classifications

eCl@ss

eCl@ss 10.0.1	27371605
eCl@ss 4.0	27371100
eCl@ss 4.1	27371100
eCl@ss 5.0	27371700
eCl@ss 5.1	27371700
eCl@ss 6.0	27371700
eCl@ss 7.0	27371790
eCl@ss 8.0	27371605
eCl@ss 9.0	27371605

# Timer relay - ETD-BL-1T-ON-300MIN - 2917405

## Classifications

### ETIM

ETIM 2.0	EC001439
ETIM 3.0	EC001439
ETIM 4.0	EC001439
ETIM 5.0	EC001439
ETIM 6.0	EC001439
ETIM 7.0	EC001439

### UNSPSC

UNSPSC 6.01	30211920
UNSPSC 7.0901	39121519
UNSPSC 11	39121519
UNSPSC 12.01	39121519
UNSPSC 13.2	39122329
UNSPSC 18.0	39122329
UNSPSC 19.0	39122329
UNSPSC 20.0	39122329
UNSPSC 21.0	39122329

## Approvals

### Approvals

#### Approvals

GL / GL-SW / UL Listed / cUL Listed / EAC / GL / cULus Listed

#### Ex Approvals

ATEX

### Approval details


GL		<a href="https://approvalfinder.dnvgl.com/">https://approvalfinder.dnvgl.com/</a>	75808-09 HH
----	--	---	-------------

GL-SW			75808-09 HH
-------	--	--	-------------

UL Listed		<a href="http://database.ul.com/cgi-bin/XYV/template/LISEXT/1FRAME/index.htm">http://database.ul.com/cgi-bin/XYV/template/LISEXT/1FRAME/index.htm</a>	FILE E 172140
-----------	--	---	---------------


## Timer relay - ETD-BL-1T-ON-300MIN - 2917405

### Approvals

cUL Listed		<a href="http://database.ul.com/cgi-bin/XYV/template/LISEXT/1FRAME/index.htm">http://database.ul.com/cgi-bin/XYV/template/LISEXT/1FRAME/index.htm</a>	FILE E 172140
------------	---	---	---------------

EAC		RU C- DE.**08.B-00957
-----	---	--------------------------

GL	
----	---

cULus Listed	
--------------	---

Phoenix Contact 2020 © - all rights reserved  
<http://www.phoenixcontact.com>

PHOENIX CONTACT GmbH & Co. KG  
Flachmarktstr. 8  
32825 Blomberg  
Germany  
Tel. +49 5235 300  
Fax +49 5235 3 41200  
<http://www.phoenixcontact.com>