

Voltage measuring transducers - MACX MCR-VAC - 2906239

Please be informed that the data shown in this PDF Document is generated from our Online Catalog. Please find the complete data in the user's documentation. Our General Terms of Use for Downloads are valid (<http://phoenixcontact.com/download>)




MACX MCR voltage transducer, for AC voltages from 0 V ... 20 V AC to 0 ... 660 V AC, output signal: 0 V ... 10 V/0(4) ... 20 mA

Your advantages

- Adjustable voltage ranges
- Bidirectional output signals
- 3-way isolation
- ZERO/SPAN adjustment $\pm 20\%$
- Tool-free parameterization of measured values
- Teach-in configuration of the measured value range



Key Commercial Data

Packing unit	1 pc
GTIN	 4 055626 051000
GTIN	4055626051000

Technical data

Note

Utilization restriction	EMC: class A product, see manufacturer's declaration in the download area
-------------------------	---

Dimensions

Width	22.5 mm
Height	112.8 mm
Depth	113.5 mm

Ambient conditions

Ambient temperature (operation)	-25 °C ... 60 °C
Ambient temperature (storage/transport)	-40 °C ... 85 °C (non-condensing)
Maximum altitude	≤ 2000 m

Voltage measuring transducers - MACX MCR-VAC - 2906239

Technical data

Ambient conditions

Permissible humidity (operation)	10 % ... 95 % (non-condensing)
Degree of protection	IP20
Noise immunity	EN 61000-6-2 When being exposed to interference, there may be minimal deviations.

Input data

Input voltage range	0 V ... 550 V AC
Input resistance	5500 kΩ
Input voltage range	0 V ... 370 V AC
Input resistance	3700 kΩ
Input voltage range	0 V ... 250 V AC
Input resistance	2500 kΩ
Input voltage range	0 V ... 170 V AC
Input resistance	1700 kΩ
Input voltage range	0 V ... 120 V AC
Input resistance	1200 kΩ
Input voltage range	0 V ... 80 V AC
Input resistance	800 kΩ
Input voltage range	0 V ... 54 V AC
Input resistance	800 kΩ
Input voltage range	0 V ... 36 V AC
Input resistance	800 kΩ
Input voltage range	0 V ... 24 V AC
Input resistance	240 kΩ
Nom. voltage	+ 660 V AC

Output data

Output name	Voltage output
Voltage output signal	0 V ... 10 V
	2 V ... 10 V
Max. output voltage	≤ 11 V
Load/output load voltage output	> 10 kΩ
Ripple	50 mV
Output name	Current output
Current output signal	0 mA ... 20 mA
	4 mA ... 20 mA
Max. output current	≤ 22 mA
Load/output load current output	< 500 Ω

Power supply

Nominal supply voltage	24 V DC (-20 % ... +25 %)
Supply voltage range	19.2 V DC ... 30 V DC
Max. current consumption	< 45 mA

Voltage measuring transducers - MACX MCR-VAC - 2906239

Technical data

Connection data

Connection method	Pluggable screw connection
Connection technology	Screw connection
Stripping length	8 mm
Screw thread	M3
Conductor cross section solid	0.2 mm ² ... 2.5 mm ²
Conductor cross section flexible	0.2 mm ² ... 2.5 mm ²
Conductor cross section AWG	24 ... 14

General

Maximum transmission error	< 1 % (from a measuring range final value, 45 ... 65 Hz)
	< 1.3 % (from a measuring range final value, 65 ... 405 Hz)
Maximum temperature coefficient	< 0.015 %/K
Frequency measuring range	45 Hz ... 405 Hz
Alignment zero	± 20 %
Alignment span	± 20 %
Step response (10-90%)	< 180 ms
Test voltage	5.3 kV AC (50 Hz, 1 min.)
Electromagnetic compatibility	Conformance with EMC directive
Noise emission	EN 61000-6-4
Noise immunity	EN 61000-6-2 When being exposed to interference, there may be minimal deviations.
Color	gray
Mounting position	any
Assembly instructions	Can be aligned with spacing = 10 mm
Conformance	CE-compliant
UL, USA/Canada	UL 61010 Listed

Standards and Regulations

Electromagnetic compatibility	Conformance with EMC directive
Noise emission	EN 61000-6-4
Frequency range	45 Hz ... 405 Hz
Standards/regulations	IEC 61010-1
	IEC 61010-2-030
Pollution degree	2
Low Voltage Directive	Conformance with Low Voltage Directive
Conformance	CE-compliant
UL, USA/Canada	UL 61010 Listed

Conformance/approvals

Designation	CE
Identification	CE-compliant
Designation	UL, USA/Canada
Identification	UL 61010 Listed

Voltage measuring transducers - MACX MCR-VAC - 2906239

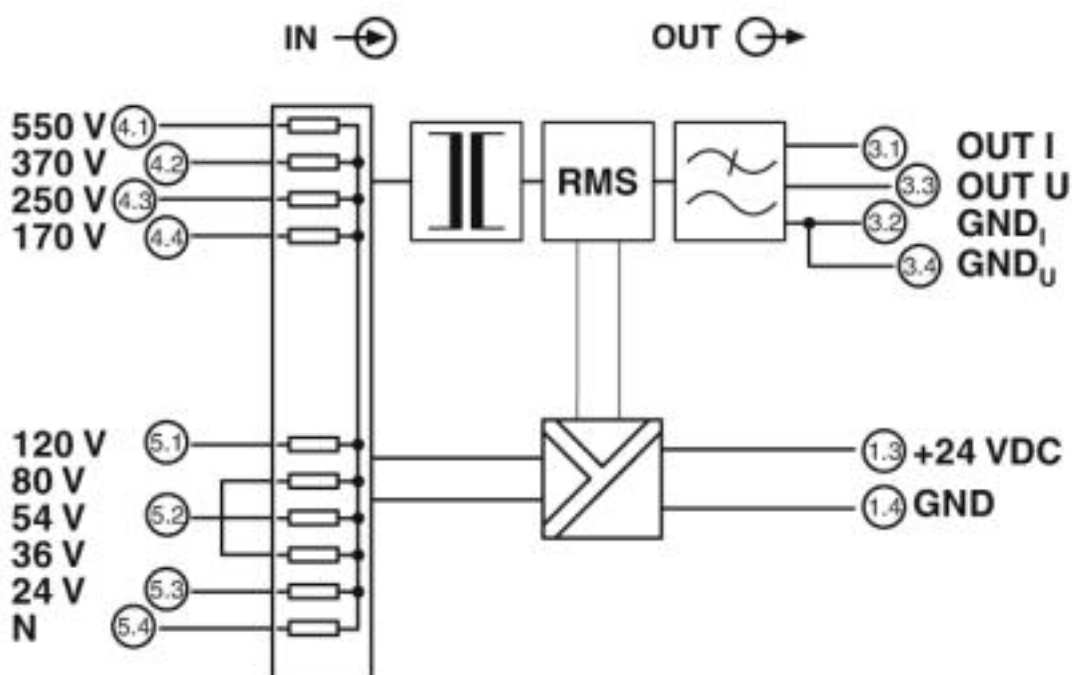
Technical data

Environmental Product Compliance

REACH SVHC	Lead 7439-92-1
China RoHS	Environmentally Friendly Use Period = 50 years
	For details about hazardous substances go to tab "Downloads", Category "Manufacturer's declaration"

Drawings

Block diagram



Classifications

eCl@ss

eCl@ss 4.0	27271100
eCl@ss 5.0	27200300
eCl@ss 5.1	27200300
eCl@ss 6.0	27210100
eCl@ss 7.0	27210125
eCl@ss 8.0	27210125
eCl@ss 9.0	27210125

ETIM

ETIM 4.0	EC002477
ETIM 5.0	EC002477
ETIM 6.0	EC002477

Voltage measuring transducers - MACX MCR-VAC - 2906239

Classifications

ETIM

ETIM 7.0	EC002477
----------	----------

Approvals

Approvals

Approvals

UL Listed / cUL Listed / EAC / cULus Listed

Ex Approvals

Approval details

UL Listed		http://database.ul.com/cgi-bin/XYV/template/LISEXT/1FRAME/index.htm	FILE E 330267
-----------	--	---	---------------

cUL Listed		http://database.ul.com/cgi-bin/XYV/template/LISEXT/1FRAME/index.htm	FILE E 330267
------------	--	---	---------------

EAC			RU*DE.*08.B.01852-19
-----	--	--	----------------------

cULus Listed			
--------------	--	--	--

Phoenix Contact 2020 © - all rights reserved
<http://www.phoenixcontact.com>

PHOENIX CONTACT GmbH & Co. KG
Flachsmarktstr. 8
32825 Blomberg
Germany
Tel. +49 5235 300
Fax +49 5235 3 41200
<http://www.phoenixcontact.com>