

Adapter - IFS-BT-PROG-ADAPTER - 2905872

Please be informed that the data shown in this PDF Document is generated from our Online Catalog. Please find the complete data in the user's documentation. Our General Terms of Use for Downloads are valid (<http://phoenixcontact.com/download>)

Bluetooth adapter with micro USB and S-PORT interface for wireless communication with the MINI Analog, MINI Analog Pro, MACX Analog, INTERFACE system gateways, and PLC logic device series.




Product Description

Bluetooth adapter with micro USB and S-PORT interface for wireless programming and/or monitoring. The adapter can be used for the following device series with programming interface: MINI Analog, MINI Analog Pro, MACX Analog, INTERFACE system gateways, PLC logic (monitoring only). The driver is included in the software solutions for the products to be programmed, such as measuring transducers.



Key Commercial Data

Packing unit	1 pc
GTIN	 4 055626 003917
GTIN	4055626003917

Technical data

Ambient conditions

Ambient temperature (operation)	-25 °C ... 65 °C
Ambient temperature (storage/transport)	-25 °C ... 70 °C

General

Connection 1	Device side
Connection method	Micro USB type B
Connection 2	Device side
Connection method	S-PORT
Input power P _i	< 600 mW

Dimensions

Width	38 mm
Height	30.6 mm
Depth	9.6 mm

Ambient conditions

Adapter - IFS-BT-PROG-ADAPTER - 2905872

Technical data

Ambient conditions

Ambient temperature (operation)	-25 °C ... 65 °C
Ambient temperature (storage/transport)	-25 °C ... 70 °C
Maximum altitude	≤ 2000 m

General

Housing material	PA 646
ATEX	# II 3 G Ex ic IIC T4 Gc X

Standards and Regulations

ATEX	# II 3 G Ex ic IIC T4 Gc X
DNV GL-Temperature	B
DNV GL-Humidity	B
DNV GL-Vibration	A
DNV GL-EMC	A
DNV GL-Enclosure	Required protection according to the Rules shall be provided upon installation on board
MIC rating	Japan MIC (RF) ID:007-AB0221

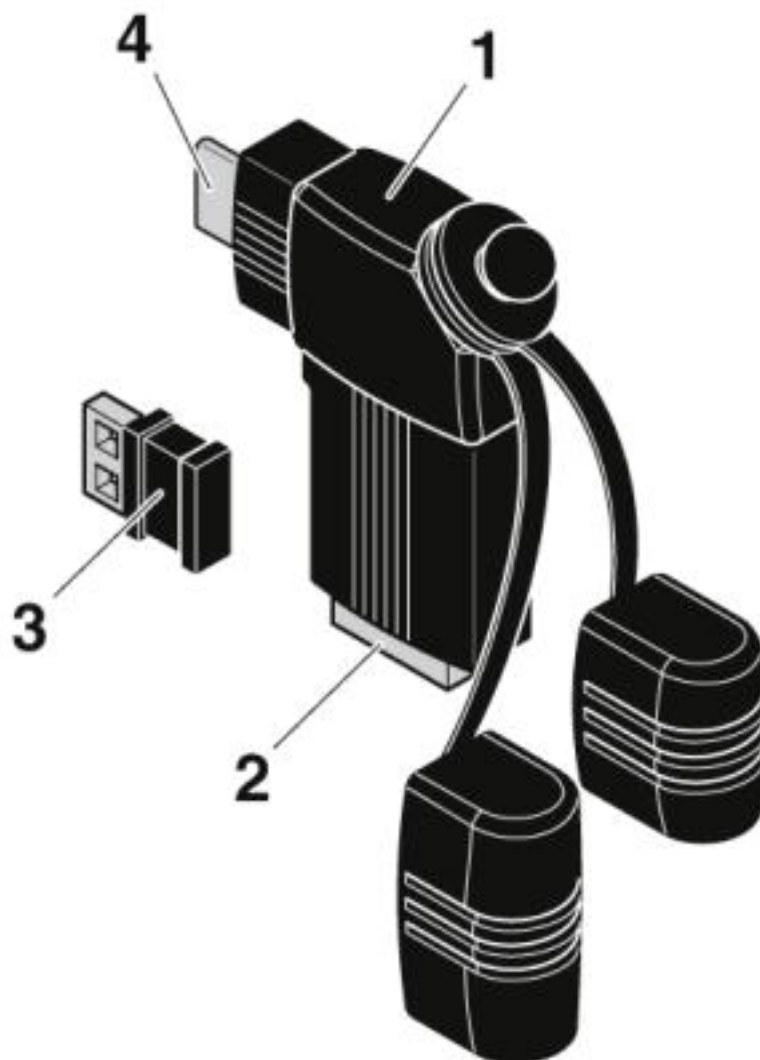
Environmental Product Compliance

China RoHS	Environmentally Friendly Use Period = 50 years
	For details about hazardous substances go to tab "Downloads", Category "Manufacturer's declaration"

Drawings

Adapter - IFS-BT-PROG-ADAPTER - 2905872

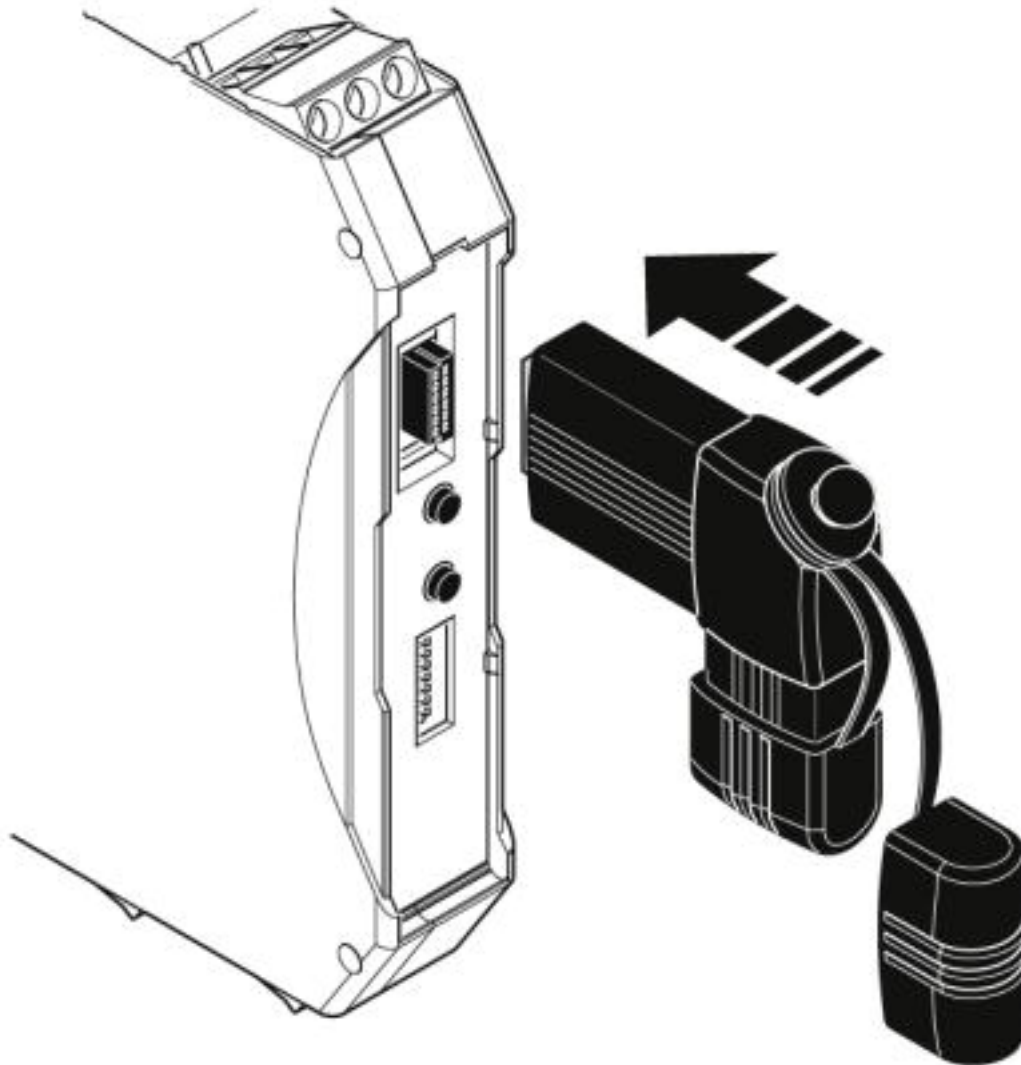
Schematic diagram



- 1 Device adapter
- 2 S-PORT interface
- 3 PC adapter
- 4 μ USB interface

Adapter - IFS-BT-PROG-ADAPTER - 2905872

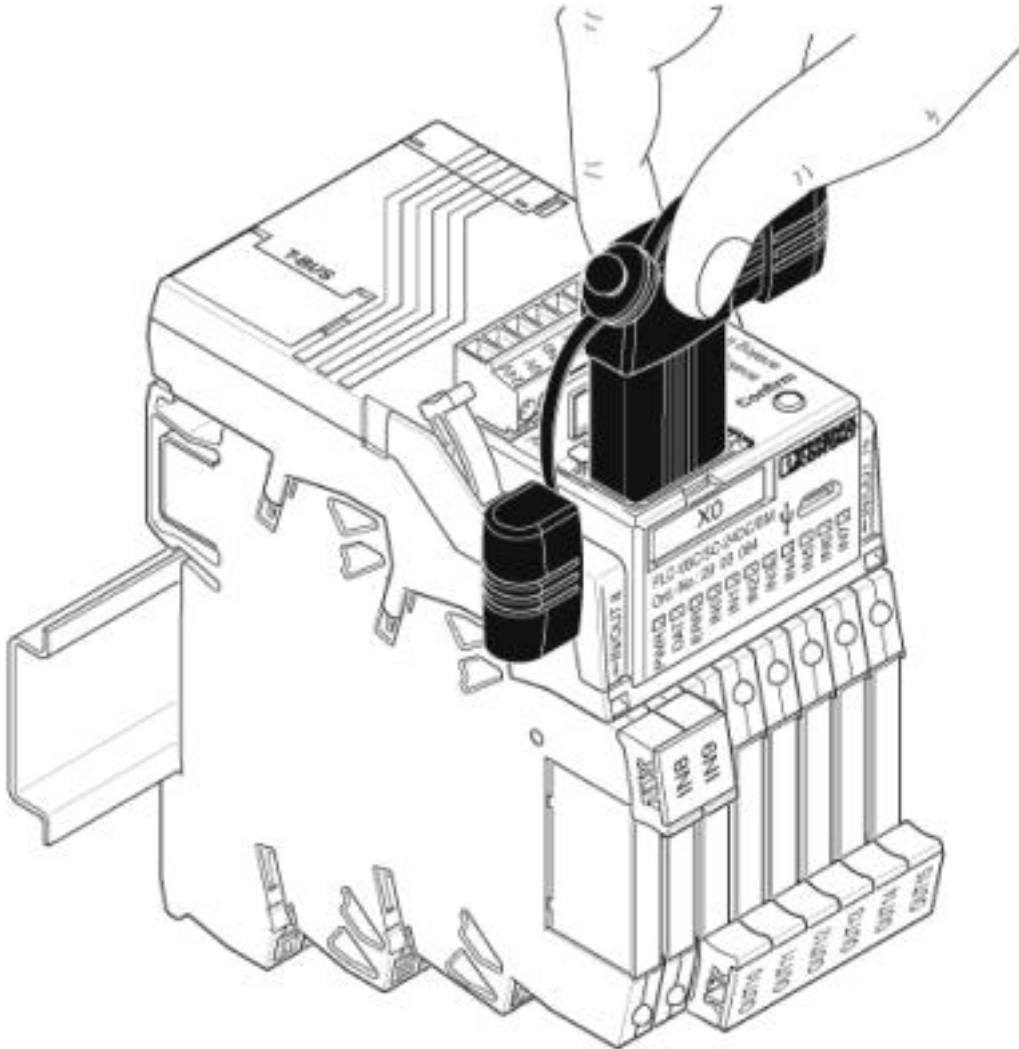
Schematic diagram



Connection to MACX Analog and INTERFACE system gateways

Adapter - IFS-BT-PROG-ADAPTER - 2905872

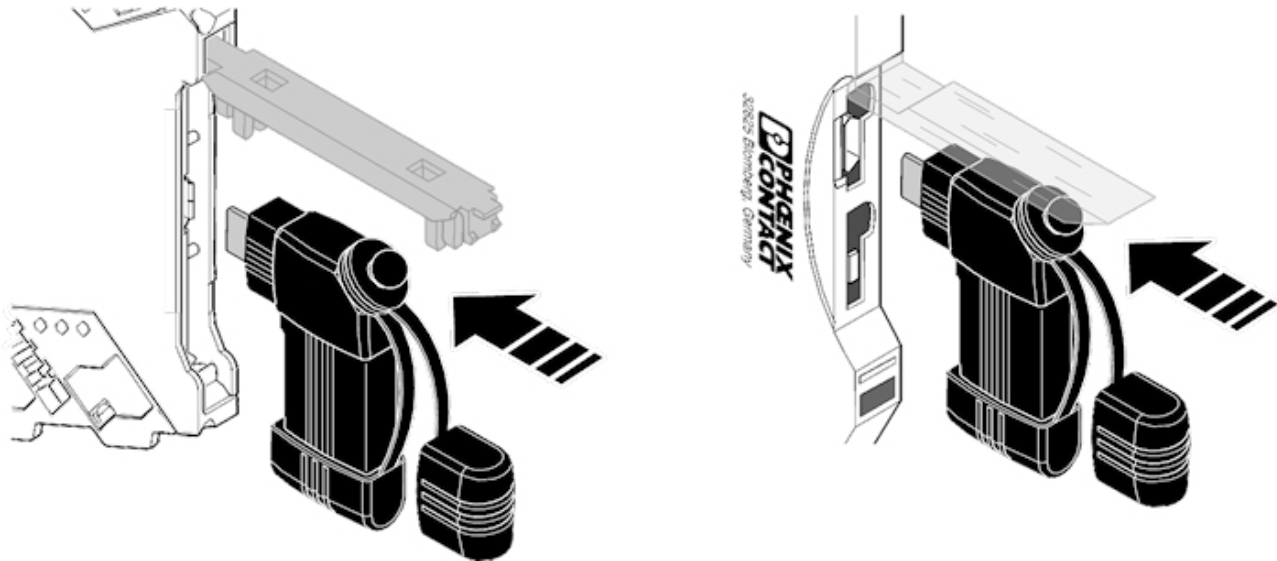
Schematic diagram



Connection to PLC logic

Adapter - IFS-BT-PROG-ADAPTER - 2905872

Schematic diagram



Connection to MINI Analog and MINI Analog Pro

Classifications

eCl@ss

eCl@ss 10.0.1	27371392
eCl@ss 4.0	27378000
eCl@ss 4.1	27378000
eCl@ss 5.0	27379100
eCl@ss 5.1	27379100
eCl@ss 6.0	27379200
eCl@ss 7.0	27379201
eCl@ss 8.0	27379201
eCl@ss 9.0	27379201

ETIM

ETIM 4.0	EC002498
ETIM 5.0	EC002498
ETIM 6.0	EC002498
ETIM 7.0	EC002498

Adapter - IFS-BT-PROG-ADAPTER - 2905872

Classifications

UNSPSC

UNSPSC 13.2	39121421
UNSPSC 18.0	39121421
UNSPSC 19.0	39121421
UNSPSC 20.0	39121421
UNSPSC 21.0	39121421

Approvals

Approvals

Approvals

EAC / DNV GL

Ex Approvals

Approval details

EAC		RU C- DE.A*30.B.01742
-----	--	--------------------------

DNV GL		https://approvalfinder.dnvgl.com/	TAA000021E
--------	--	---	------------

Phoenix Contact 2020 © - all rights reserved
<http://www.phoenixcontact.com>

PHOENIX CONTACT GmbH & Co. KG
Flachsmarktstr. 8
32825 Blomberg
Germany
Tel. +49 5235 300
Fax +49 5235 3 41200
<http://www.phoenixcontact.com>