

System connection - RIF-1-V8/PT/FLK14/OUT - 2905195

Please be informed that the data shown in this PDF Document is generated from our Online Catalog. Please find the complete data in the user's documentation. Our General Terms of Use for Downloads are valid (<http://phoenixcontact.com/download>)



V8 adapter for 8 x RIF-1 relay base, controller: PLC system cabling of output cards, connection 1: Push-in connection 4x, connection 2: IDC/FLK pin strip 1x 14-position, connection 3: Plug connection, number of channels: 8, control logic: plusschaltend



Key Commercial Data

| | |
|--------------|---------------|
| Packing unit | 1 pc |
| GTIN | |
| GTIN | 4046356946650 |

Technical data

Dimensions

| | |
|--------|--------|
| Width | 128 mm |
| Height | 101 mm |
| Depth | 75 mm |

Ambient conditions

| | |
|---|------------------|
| Ambient temperature (operation) | -40 °C ... 60 °C |
| Ambient temperature (storage/transport) | -40 °C ... 70 °C |
| Degree of protection | IP20 |

General

| | |
|--|--|
| Nominal voltage U_N | 30 V DC |
| Max. perm. current (per branch) | 1 A (per signal path) |
| Max. permissible current (separate power supply) | 3 A |
| Number of positions | 14 |
| Status display | Yellow LED/per channel |
| Mounting position | any |
| Assembly instructions | Can be plugged into 8 x RIFLINE complete RIF-1 relay bases |

Connection data

System connection - RIF-1-V8/PT/FLK14/OUT - 2905195

Technical data

Connection data

| | |
|----------------------------------|---|
| Connection name | Supply |
| Connection method | Push-in connection |
| Stripping length | 10 mm |
| Number of connections | 4 |
| Conductor cross section solid | 0.2 mm ² ... 1.5 mm ² |
| Conductor cross section flexible | 0.2 mm ² ... 1.5 mm ² |
| Conductor cross section AWG | 24 ... 16 |

Connection data 2

| | |
|-----------------------|-------------------|
| Connection name | Controller level |
| Connection method | IDC/FLK pin strip |
| Number of connections | 1 |
| Number of positions | 14 |
| Pitch | 2.54 mm |

Connection data 3

| | |
|-------------------|-----------------|
| Connection method | Plug connection |
|-------------------|-----------------|

Supported controller

| | |
|---------------------|-----------------------------|
| Controller | SIEMENS S7-1500 |
| - suitable I/O card | 6ES7 522-1BH00-0AB0 |
| | 6ES7 522-1BH01-0AB0 |
| | 6ES7 522-1BL00-0AB0 |
| | 6ES7 522-1BL01-0AB0 |
| Controller | SIEMENS S7-400 |
| - suitable I/O card | 6ES7 422-1BL00-0AA0 |
| | 6ES7 422-1BL00-0AA0 |
| Controller | ALLEN-BRADLEY ControlLogix |
| - suitable I/O card | 1756-OB32 |
| | 1756-OB16E |
| Controller | ALLEN-BRADLEY PLC 5 |
| - suitable I/O card | 1771 OBN |
| Controller | ALLEN-BRADLEY SLC 500 |
| - suitable I/O card | 1746 OB16 |
| | 1746 OB 32 |
| Controller | HONEYWELL Experion PKS C200 |
| - suitable I/O card | TC-ODD 321 |
| Controller | MITSUBISHI MELSEC Q |
| - suitable I/O card | QY81P |
| | QY82P |
| Controller | SIEMENS S7-300 / ET 200 M |
| - suitable I/O card | CPU 313C-2DP |

System connection - RIF-1-V8/PT/FLK14/OUT - 2905195

Technical data

Supported controller

| | |
|---------------------|-----------------------|
| | CPU 314C-2DP |
| | CPU 314C-2PtP |
| | 6ES7 322-1BH01-0AA0 |
| | 6ES7 322-1BL00-0AA0 |
| | 6ES7 323-1BH01-0AA0 |
| | 6ES7 323-1BL00-0AA0 |
| | CPU 313C |
| | CPU 313C-2PtP |
| Controller | ABB S800 I/O |
| - suitable I/O card | DO810 |
| | DO840 |
| Controller | Emerson DeltaV |
| - suitable I/O card | VE4002S1T1B3 |
| | VE4002S1T2B3 |
| | VE4002S1T2B3 Series 2 |
| | VE4002S1T2B6 |
| Controller | GE-FANUC RX3i |
| - suitable I/O card | IC694MDL754 |
| Controller | MITSUBISHI MELSEC L |
| - suitable I/O card | LY41PT1P |
| | LY42PT1P |

Standards and Regulations

| | |
|--------------------------|---------------------------------------|
| Designation | Air clearances and creepage distances |
| Standards/regulations | IEC 60664 |
| | DIN EN 50178 |
| Rated insulation voltage | 63 V DC |
| Rated surge voltage | 0.6 kV (Functional insulation) |
| Pollution degree | 2 |
| Overvoltage category | II |
| UL, USA | UL 508 Recognized |
| CSA | CSA-C22.2 No. 14-13 |
| | CSA-C22.2 No. 158-10 |

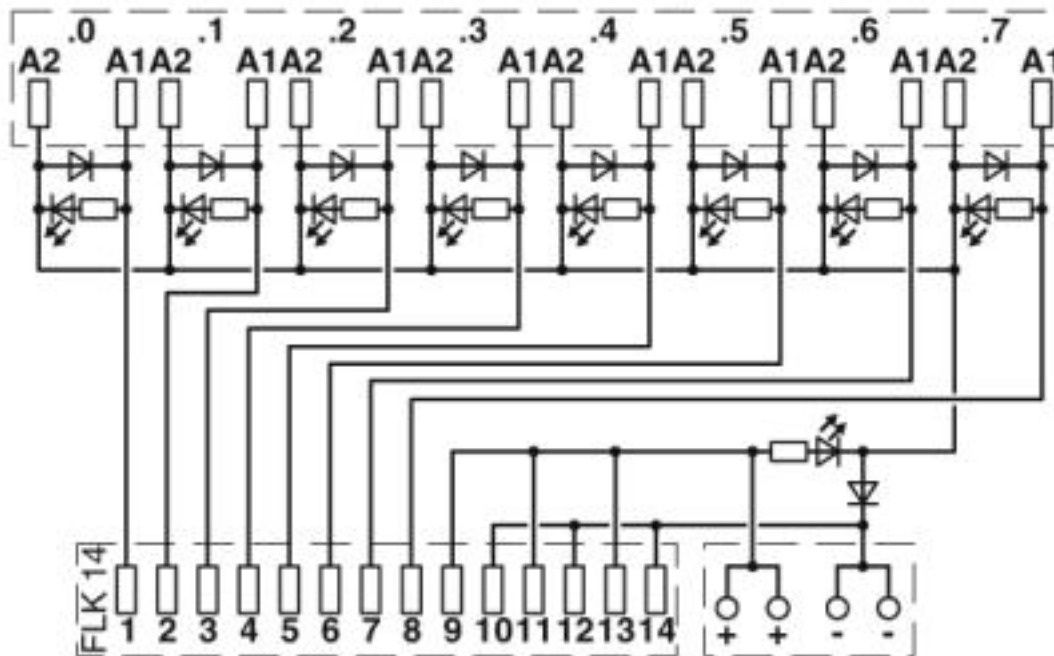
Environmental Product Compliance

| | |
|------------|---|
| REACH SVHC | Lead 7439-92-1 |
| China RoHS | Environmentally Friendly Use Period = 50 years |
| | For details about hazardous substances go to tab "Downloads", Category "Manufacturer's declaration" |

Drawings

System connection - RIF-1-V8/PT/FLK14/OUT - 2905195

Circuit diagram



Connection scheme for RIF-1-V8/PT/FLK14/OUT

Classifications

eCl@ss

| | |
|---------------|----------|
| eCl@ss 10.0.1 | 27141152 |
| eCl@ss 4.0 | 27250313 |
| eCl@ss 4.1 | 27250313 |
| eCl@ss 5.0 | 27242700 |
| eCl@ss 5.1 | 27242700 |
| eCl@ss 6.0 | 27242200 |
| eCl@ss 7.0 | 27141152 |
| eCl@ss 8.0 | 27141152 |
| eCl@ss 9.0 | 27141152 |

ETIM

| | |
|----------|----------|
| ETIM 5.0 | EC002780 |
| ETIM 6.0 | EC002780 |
| ETIM 7.0 | EC002780 |

UNSPSC

| | |
|-------------|----------|
| UNSPSC 13.2 | 39121432 |
| UNSPSC 18.0 | 39121432 |
| UNSPSC 19.0 | 39121432 |

System connection - RIF-1-V8/PT/FLK14/OUT - 2905195

Classifications

UNSPSC

| | |
|-------------|----------|
| UNSPSC 20.0 | 39121432 |
| UNSPSC 21.0 | 39121432 |

Approvals

Approvals

Approvals

UL Recognized / cUL Recognized / EAC / cULus Recognized

Ex Approvals

Approval details

| | | | |
|--------------------|--|---|---------------|
| UL Recognized | | http://database.ul.com/cgi-bin/XYV/template/LISEXT/1FRAME/index.htm | FILE E 238705 |
| | | | |
| Nominal voltage UN | | 24 V | |
| Nominal current IN | | 1 A | |

| | | | |
|--------------------|--|---|---------------|
| cUL Recognized | | http://database.ul.com/cgi-bin/XYV/template/LISEXT/1FRAME/index.htm | FILE E 238705 |
| | | | |
| Nominal voltage UN | | 24 V | |
| Nominal current IN | | 1 A | |

| | | |
|-----|--|--------------------------|
| EAC | | RU C- DE.A*30.B.01742 |
|-----|--|--------------------------|

| | |
|------------------|--|
| cULus Recognized | |
|------------------|--|

Accessories

Necessary add-on products

System connection - RIF-1-V8/PT/FLK14/OUT - 2905195

Accessories

Relay Module - RIF-1-RPT-LDP-24DC/1X21 - 2903342



Pre-assembled relay module with push-in connection, consisting of: relay base, power contact relay, plug-in display/suppressor module, and retaining bracket. Contact type: 1 PDT. Input voltage: 24 V DC

Relay Module - RIF-1-RPT-LDP-24DC/1X21AU - 2903338



Pre-assembled relay module with push-in connection, consisting of: relay base, multi-layer contact relay, plug-in display/suppressor module, and retaining bracket. Contact type: 1 PDT. Input voltage: 24 V DC

Relay Module - RIF-1-RPT-LDP-24DC/2X21 - 2903334



Pre-assembled relay module with push-in connection, consisting of: relay base, power contact relay, plug-in display/suppressor module, and retaining bracket. Contact type: 2 PDTs. Input voltage: 24 V DC

Relay Module - RIF-1-RPT-LDP-24DC/2X21AU - 2903330



Pre-assembled relay module with push-in connection, consisting of: relay base, multi-layer contact relay, plug-in display/suppressor module, and retaining bracket. Contact type: 2 PDTs. Input voltage: 24 V DC

Phoenix Contact 2020 © - all rights reserved
<http://www.phoenixcontact.com>

PHOENIX CONTACT GmbH & Co. KG
Flachsmarktstr. 8
32825 Blomberg
Germany
Tel. +49 5235 300
Fax +49 5235 3 41200
<http://www.phoenixcontact.com>