

Extension module - PSR-SPP-24DC/URML4/3X1/1X2/B - 2903584

Please be informed that the data shown in this PDF Document is generated from our Online Catalog. Please find the complete data in the user's documentation. Our General Terms of Use for Downloads are valid (<http://phoenixcontact.com/download>)



One or two-channel contact extension for OSSD signals (e.g., light grid), 3 N/O contacts, 1 N/C contact, up to Cat. 4 PL e in accordance with EN ISO 13849, SIL 3 in accordance with EN 62061, pluggable Push-in terminal block, width: 22.5 mm

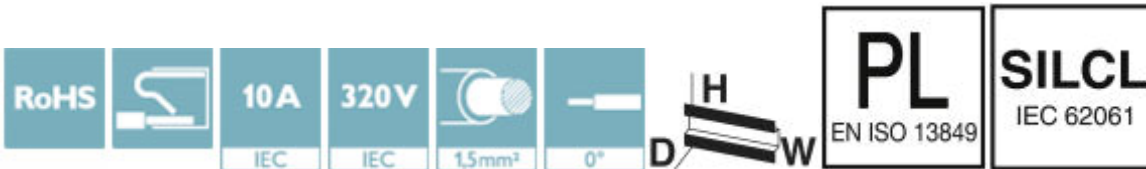
The figure shows a version with a screw connection

Product Description

The contact extension device is specifically designed for use in conjunction with electrosensitive protective equipment such as light grids. These systems generally have clocked OSSD signals which enable cross circuits in the cabling to be detected. The relay is resistant to the test pulses generated by the electrosensitive protective equipment receiver. Applications up to PL e or SIL 3 can therefore be implemented without the need for additional traceability to the device on the EDM circuit.

Your advantages

- ✓ Time saving push-in connection, tools not required
- ✓ Potentials can be easily looped through – ideal for BUS applications
- ✓ Intuitive use through colour coded actuation lever
- ✓ Can be combined with the MSTB 2,5 range
- ✓ Quick and convenient testing using integrated test option



Key Commercial Data

Packing unit	1 pc
GTIN	
GTIN	4046356751704

Technical data

Note

Utilization restriction	EMC: class A product, see manufacturer's declaration in the download area
-------------------------	---

Dimensions

Width	22.5 mm
Height	112 mm

Extension module - PSR-SPP-24DC/URML4/3X1/1X2/B - 2903584

Technical data

Dimensions

Depth	114.5 mm
-------	----------

Ambient conditions

Ambient temperature (operation)	-20 °C ... 55 °C
Ambient temperature (storage/transport)	-40 °C ... 70 °C
Max. permissible relative humidity (operation)	75 % (on average, 85% infrequently, non-condensing)
Max. permissible humidity (storage/transport)	75 % (on average, 85% infrequently, non-condensing)
Maximum altitude	≤ 2000 m (Above sea level)

Input data

Nominal input voltage U_N	24 V DC
Input voltage range in reference to U_N	0.85 ... 1.1
Typical input current at U_N	70 mA DC
Voltage at input/start and feedback circuit	24 V DC
Typical response time	25 ms
Typ. starting time with U_s	100 ms (automatic start)
Typical release time	10 ms
Concurrence input 1/2	∞
Recovery time	1 s

Output data

Contact type	3 enabling current paths
	1 signaling current path
Contact material	AgSnO ₂
Maximum switching voltage	250 V
Minimum switching voltage	15 V AC/DC
Limiting continuous current	6 A
Inrush current, minimum	25 mA
Sq. Total current	$72 \text{ A}^2 (I_{TH}^2 = I_1^2 + I_2^2 + I_3^2)$
Interrupting rating (ohmic load) max.	144 W (24 V DC, $\tau = 0 \text{ ms}$)
	288 W (48 V DC, $\tau = 0 \text{ ms}$)
	77 W (110 V DC, $\tau = 0 \text{ ms}$)
	88 W (220 V DC, $\tau = 0 \text{ ms}$)
	1500 VA (250 V AC, $\tau = 0 \text{ ms}$)
Maximum interrupting rating (inductive load)	48 W (24 V DC, $\tau = 40 \text{ ms}$)
	40 W (48 V DC, $\tau = 40 \text{ ms}$)
	35 W (110 V DC, $\tau = 40 \text{ ms}$)
	33 W (220 V DC, $\tau = 40 \text{ ms}$)
Switching capacity min.	0.4 W
Mechanical service life	approx. 10^7 cycles
Switching capacity (360/h cycles)	6 A (24 V DC)
	5 A (230 V AC)

Extension module - PSR-SPP-24DC/URML4/3X1/1X2/B - 2903584

Technical data

Output data

Output fuse	10 A gL/gG NEOZED (N/O contact)
	4 A gL/gG NEOZED (Signaling current path)

General

Relay type	Electromechanical relay with forcibly guided contacts in accordance with EN 50205
Nominal operating mode	100% operating factor
Net weight	209.9 g
Mounting position	any
Mounting type	DIN rail mounting
Degree of protection	IP20
Min. degree of protection of inst. location	IP54
Housing material	Polyamide PA non-reinforced
Housing color	yellow

Connection data

Connection method	Push-in connection
pluggable	Yes
Conductor cross section solid min.	0.2 mm ²
Conductor cross section solid max.	1.5 mm ²
Conductor cross section flexible min.	0.2 mm ²
Conductor cross section flexible max.	1.5 mm ²
Conductor cross section AWG min.	24
Conductor cross section AWG max.	16
Stripping length	8 mm

Safety-related characteristic data

Stop category	0
Designation	IEC 61508 - High demand
Safety Integrity Level (SIL)	3
Designation	IEC 61508 - Low demand
Safety Integrity Level (SIL)	3
Designation	EN ISO 13849
Performance level (PL)	e
Category	4
Designation	EN 62061
Safety Integrity Level Claim Limit (SIL CL)	3

Standards and Regulations

Designation	Air clearances and creepage distances between the power circuits
Standards/regulations	DIN EN 50178/VDE 0160
Rated insulation voltage	250 V
Rated surge voltage/insulation	4 kV / Basic isolation, (safe isolation, reinforced insulation and 6 kV between input circuit and enabling current paths.)

Extension module - PSR-SPP-24DC/URML4/3X1/1X2/B - 2903584

Technical data

Standards and Regulations

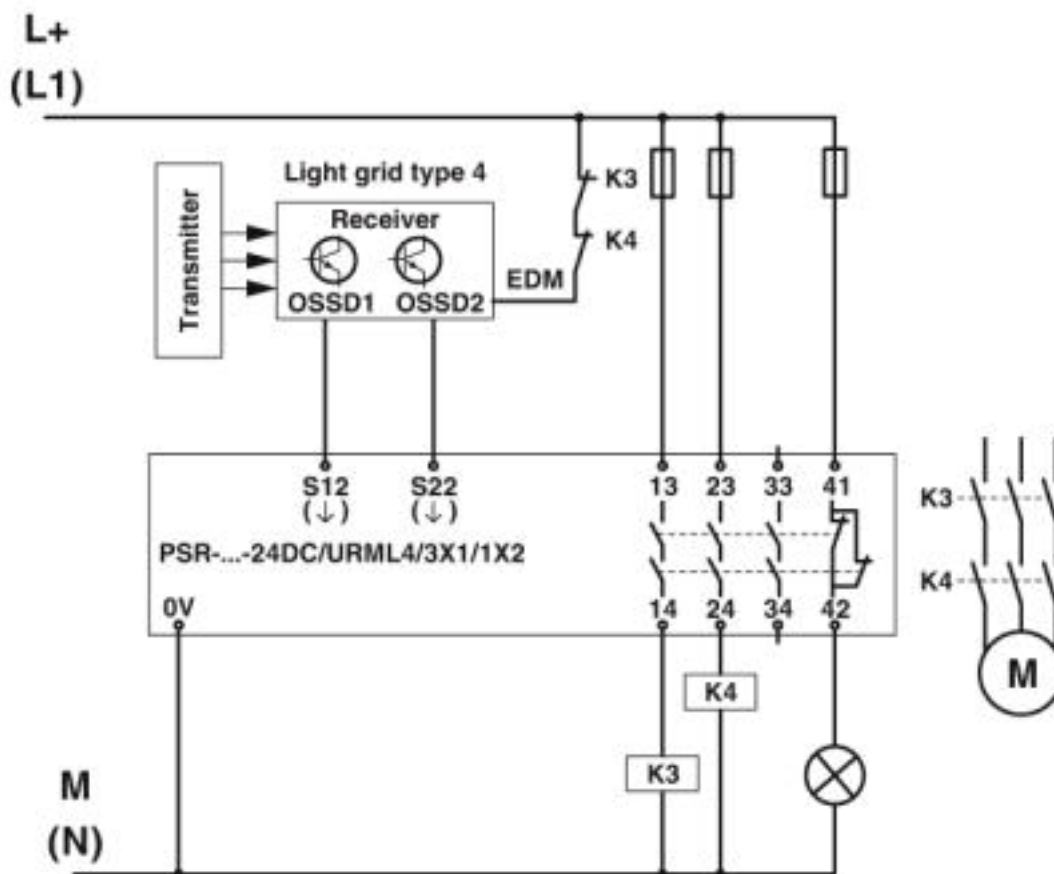
Degree of pollution	2
Overvoltage category	III
Shock	15g
Vibration (operation)	10 Hz ... 150 Hz, 2g

Environmental Product Compliance

REACH SVHC	Lead 7439-92-1
China RoHS	Environmentally Friendly Use Period = 50 years
	For details about hazardous substances go to tab "Downloads", Category "Manufacturer's declaration"

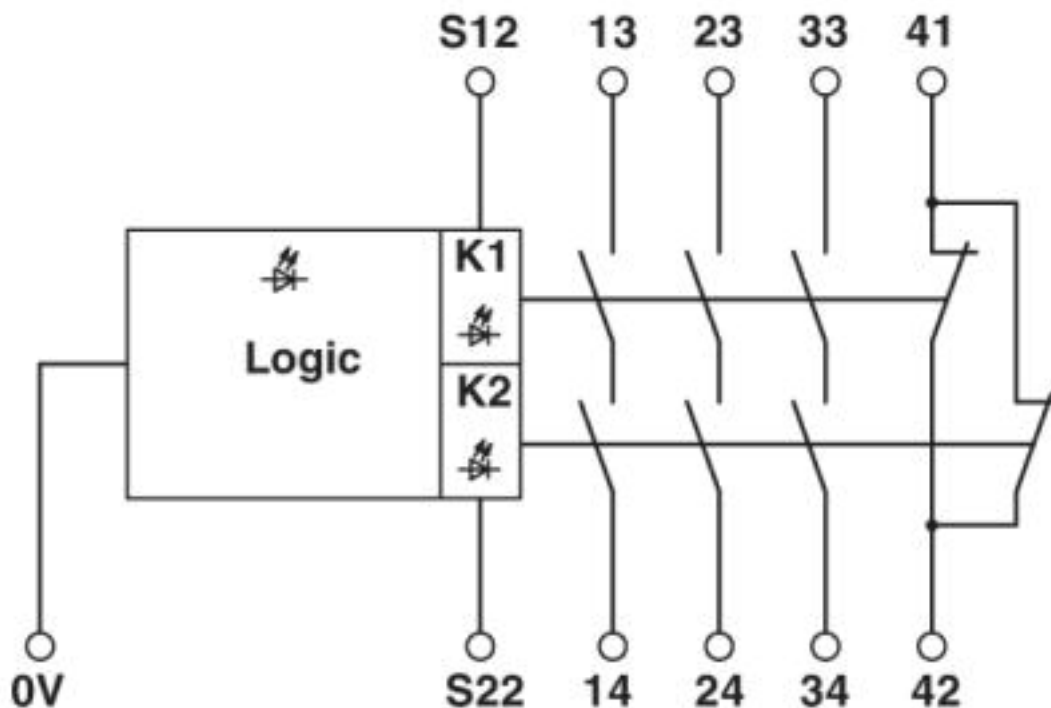
Drawings

Application drawing



Extension module - PSR-SPP-24DC/URML4/3X1/1X2/B - 2903584

Circuit diagram



Classifications

eCl@ss

eCl@ss 10.0.1	27371819
eCl@ss 4.0	40020600
eCl@ss 4.1	40020600
eCl@ss 5.0	27371900
eCl@ss 5.1	27371900
eCl@ss 6.0	27371800
eCl@ss 7.0	27371819
eCl@ss 8.0	27371819
eCl@ss 9.0	27371819

ETIM

ETIM 3.0	EC001449
ETIM 4.0	EC001449
ETIM 5.0	EC001449
ETIM 6.0	EC001449
ETIM 7.0	EC001449

UNSPSC

UNSPSC 6.01	30211901
UNSPSC 7.0901	39121501

Extension module - PSR-SPP-24DC/URML4/3X1/1X2/B - 2903584

Classifications

UNSPSC

UNSPSC 11	39121501
UNSPSC 12.01	39121501
UNSPSC 13.2	39121501
UNSPSC 18.0	39122205
UNSPSC 19.0	39122205
UNSPSC 20.0	39122205
UNSPSC 21.0	39122205

Approvals

Approvals

Approvals

UL Listed / cUL Listed / Functional Safety / Functional Safety / Functional Safety / UL Listed / cUL Listed / Functional Safety / EAC / EAC

Ex Approvals

Approval details

UL Listed		http://database.ul.com/cgi-bin/XYV/template/LISEXT/1FRAME/index.htm	FILE E 140324
-----------	--	---	---------------

cUL Listed		http://database.ul.com/cgi-bin/XYV/template/LISEXT/1FRAME/index.htm	FILE E 140324
------------	--	---	---------------

Functional Safety		01/205/5265.01/17
-------------------	--	-------------------

Functional Safety		968/EZ409.02/17
-------------------	--	-----------------

Functional Safety		968/EZ409.02/17
-------------------	--	-----------------

Extension module - PSR-SPP-24DC/URML4/3X1/1X2/B - 2903584

Approvals

UL Listed		http://database.ul.com/cgi-bin/XYV/template/LISEXT/1FRAME/index.htm	FILE E 140324
cUL Listed		http://database.ul.com/cgi-bin/XYV/template/LISEXT/1FRAME/index.htm	FILE E 140324
Functional Safety			01/205/5265.01/17
EAC			RU C- DE.A*30.B.01082
EAC			RU C- DE.A*30.B.01082

Phoenix Contact 2020 © - all rights reserved
<http://www.phoenixcontact.com>

PHOENIX CONTACT GmbH & Co. KG
Flachsmarktstr. 8
32825 Blomberg
Germany
Tel. +49 5235 300
Fax +49 5235 3 41200
<http://www.phoenixcontact.com>